



MANUAL PART NUMBER: 400-0109-005

PNP400

POP 'N PLUG TOWER USER'S GUIDE

ALTINEX



TABLE OF CONTENTS

	Page
PRECAUTIONS / SAFETY WARNINGS	3
ABOUT YOUR PNP400	4
TECHNICAL SPECIFICATIONS	4
PNP400 DIMENSIONS	5
APPLICATION DIAGRAMS	6
INSTALLATION	8
OPERATION	9
FREQUENTLY ASKED QUESTIONS (FAQ)	10
CABLES AND ACCESSORIES	11
TROUBLESHOOTING GUIDE	11
ALTINEX POLICY	11

PRECAUTIONS / SAFETY WARNINGS 1

Please read this manual carefully before using your **PNP400** Interconnect Tabletop Solution. Keep this manual handy for future reference. These safety instructions are to ensure the long life of your **PNP400** and to prevent fire and shock hazard. Please read them carefully and heed all warnings.

1.1 GENERAL

- Unauthorized personnel shall not open the unit since there are high-voltage components inside.
- Qualified ALTINEX service personnel, or their authorized representatives must perform all service.

1.2 INSTALLATION

- For best results, place the **PNP400** Interconnect Box in a dry area away from dust and moisture, indoors only.
- To prevent fire or shock, do not expose this unit to rain or moisture. Do not place the **PNP400** Interconnect Tabletop Solution in direct sunlight, near heaters or heat radiating appliances, or near any liquid. Exposure to direct sunlight, smoke, or steam can harm internal components.
- Handle the **PNP400** Interconnect Tabletop Solution carefully. Dropping or jarring can damage internal components.
- Be careful. Serious injury could result because of the sharp edges inside of the **PNP400**.
- Do not place heavy objects on top of the **PNP400**. Do not use excessive force to push down on the top of the unit.
- To turn off main power, disconnect the power cord, which powers the power socket on the **PNP400** outlets.
- We recommend using wall outlets with a Ground Fault Circuit Interrupter (GFCI) for maximum protection.
- Install all cables according to the instructions. Do not force or pull out any cable or power

cord that is attached to the **PNP400** Interconnect Tabletop Solution.

1.3 CLEANING

- Surfaces should be cleaned with a dry cloth. Never use strong detergents or solvents, such as alcohol or thinner. Do not use a wet cloth or water to clean the unit.

ABOUT YOUR PNP400 2

The **PNP400** is designed for installation into a conference room table. The **PNP400** Interconnect Tabletop Solution provides a means of connecting A/V, network and power sources into a presentation system. It is ideal for use together with ALTINEX computer video interfaces, such as VA6804FC. The **PNP400** Interconnect Box can “pop up” into a raised position to provide access to connectors or it can be lowered into a table when not in use. The **PNP400** uses a tower-type construction with gas spring suspension to accomplish this.

The **PNP400** Interconnect Box has two openings on either side of the unit, servicing both sides of a table. Several optional sectional plates with Computer Video (15-pin HD); Composite Video (RCA), Audio (RCA), Computer Audio (Stereo Mini), Modem (RJ-11), 9-pin D-type RS-232 and Network (RJ-45) input connections can be used with the **PNP400**. For additional information regarding optional connectors, contact the ALTINEX Sales Department.

The **PNP400** Interconnect Box is designed for use with tables ranging from one to three inches thick. The **PNP400** comes in a standard matte black color. Custom finishes for the top of the PNP400 allow the unit to accent any table top. This is available on a custom per order basis at an additional charge.

TECHNICAL SPECIFICATIONS 3

MECHANICAL	PNP400 (standard)
Mechanical	
Base Width (inches)	6.600in (167mm)
Height (opened)	8.690in (220mm)
Height Above Table	2.956in (75mm)
Height Below Table	5.552in (141mm) (minus table thickness)
Base Depth (inches)	4.834in (122mm)
Finish	Black
T° Operating	10°C-35°C
T° Maximum	50°C
Humidity	90% non-condensing

Table 1. **PNP400** Mechanical

PNP400 DIMENSIONS

4

Diagrams: 1A, 1B, 1C, & 1D

TOP VIEW
OF PNP400

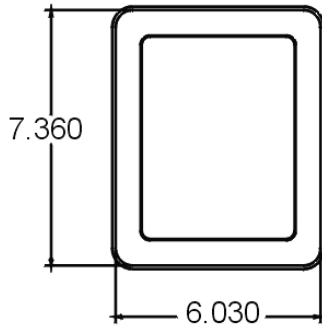


Diagram 1A

FRONT or BACK VIEW
(opened PNP400)

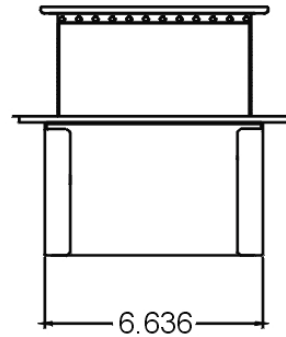


Diagram 1B

SIDE VIEW
(opened PNP400)

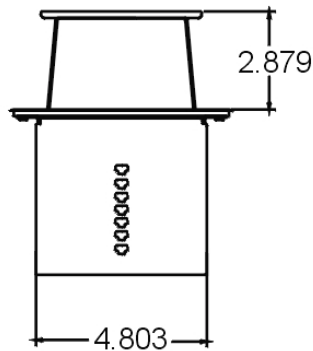


Diagram 1C

SIDE VIEW
(closed PNP400)

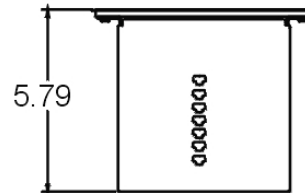
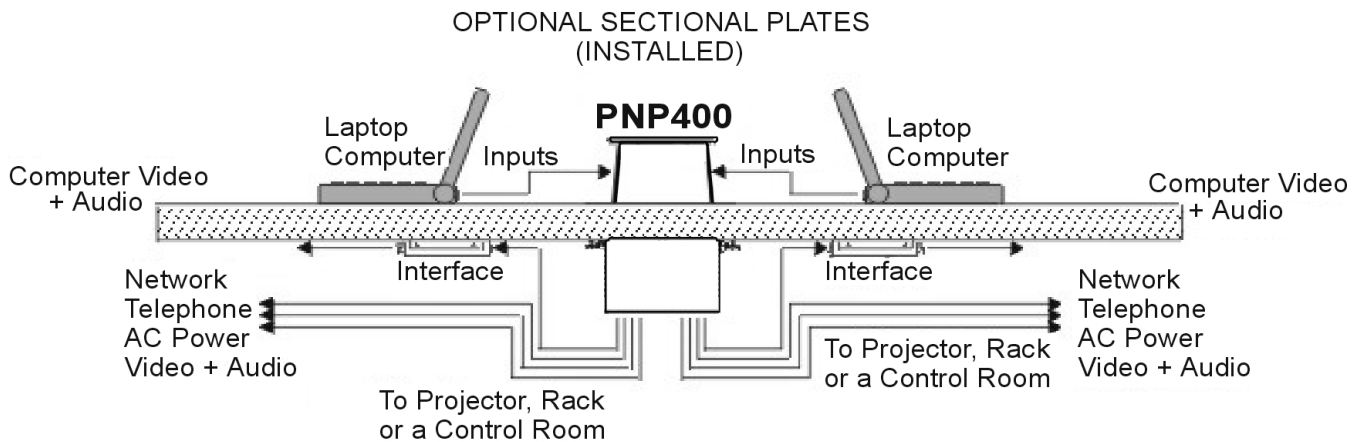


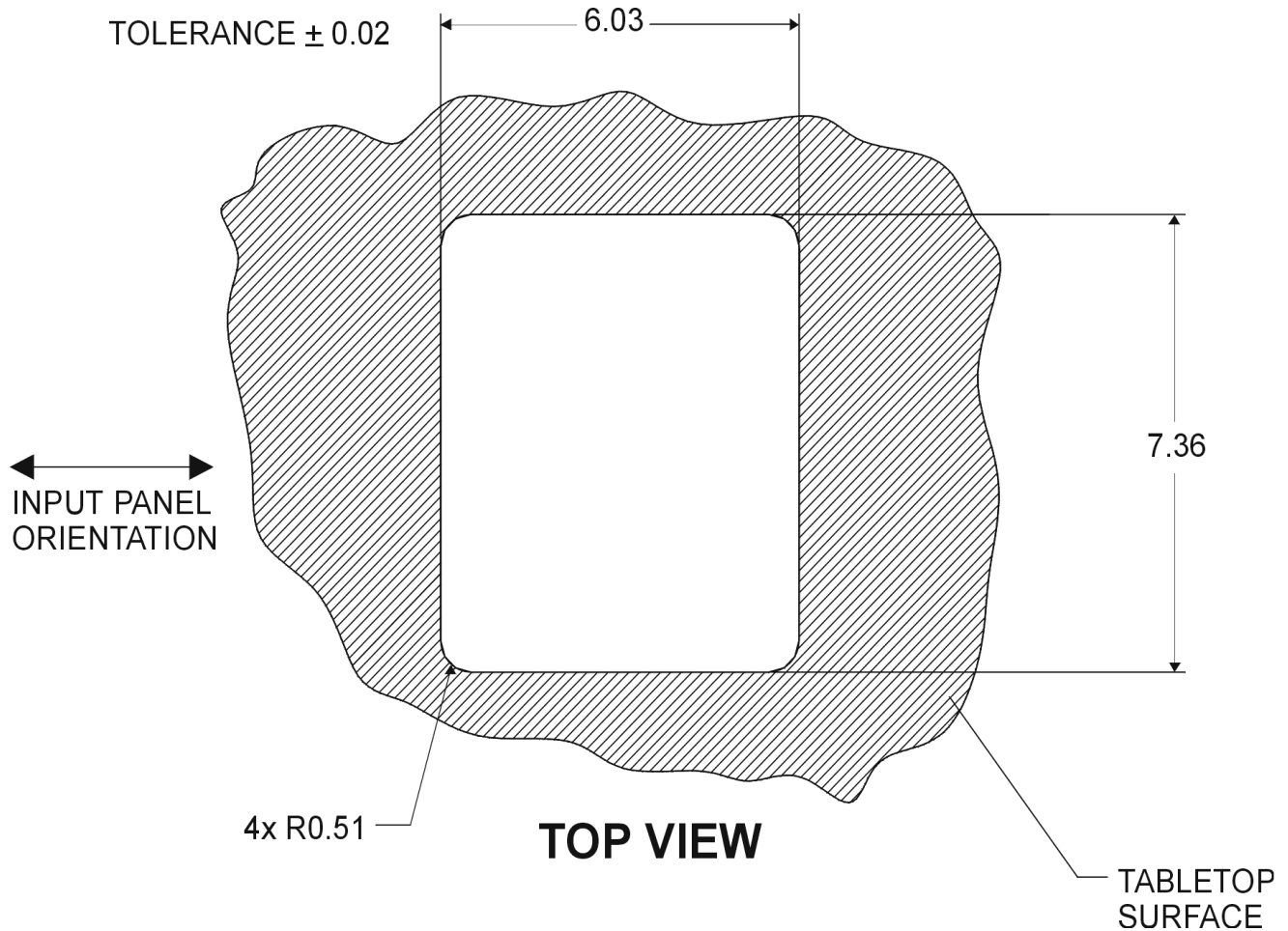
Diagram 1D

Diagram 2: Application



Note: Diagram 2 is shown with special connector plates and cables installed. Connectors and cables are not shipped with **PNP400**, they must be ordered separately. For more information regarding connectors and cables designed for the **PNP400**, contact the ALTINEX Sales Department at (714) 990-2300 or visit the ALTINEX website at www.altinex.com.

Diagram 3: Table Cutout Requirements



Note: Specifications subject to change without notice. Measurements are NOT to scale. Always confirm measurements before cutting to insure that specifications have not changed. Always make sure to orient cutout in the direction necessary for proper operation of the installed unit.

INSTALLATION

6

Step 1. The **PNP400** ships with a shipping screw. To remove the shipping screw, push down and turn the spring retaining knob by 90 degrees. Then remove the knob from the **PNP400**. The spring retaining knob is the smallest silver colored knob that is located in the center on the bottom of the unit.

Re-engage the gas spring by pushing down on the retaining knob and turning it back to the original position, thereby locking the gas spring into place.

Step 2. Cut an opening into the table's surface. Refer to diagram 3 on page 6 of the manual or the ALTINEX website at www.altinex.com for table cutout requirements. Note: The table can be 3 inches or less in thickness. Always confirm dimensions before cutting to ensure that specifications have not changed.

Step 3. Place the table support brackets under the table and place them between the grooves on the side of the **PNP400** unit. Place the brackets at the desired height and secure them to the bottom of the table using a setscrew. There are two support brackets, one for each side of the unit. (See Figure 1)

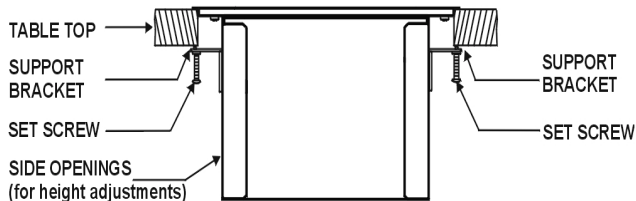


Figure 1: Attachment of the PNP400 to the table using support brackets and set screws

Step 4. Secure the cables by using a cable clamp. Pass the power cord from the bottom of the housing and attach it to the table using the cable clamp supplied with the PNP400 unit. Do not keep the cord too tight or too loose. (See Figure 2)

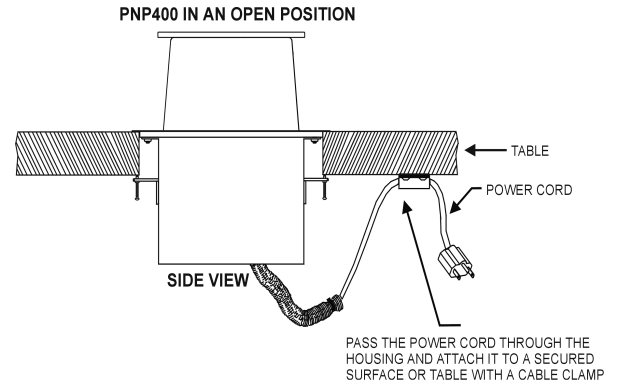


Figure 2: Cable Clamp Installation for Service Loop (diagram above shows only the power cord not the cables)

Step 5. Connect the appropriate cables with the correct connectors of the media sources (video, audio, etc.) being used on the sectional plates.

Step 6. Once you have connected power and the proper cables to the unit, you may raise the unit. To raise the **PNP400** into position, press the top of the unit.

Step 7. To lower the unit, push on the top of the **PNP400** until it fits into place.

For more information, please refer to the FAQ Section or the Troubleshooting Guide.

OPERATION

7

7.1 HOW TO RELEASE GAS SPRING

In order to remove and install the gas spring, begin with the pop-up unit in the down position.

Apply some pressure in order to compress the gas spring so it will not be ejected with force.

While the gas spring is compressed, remove the side screws from the gas spring support bracket on the bottom of the base unit.

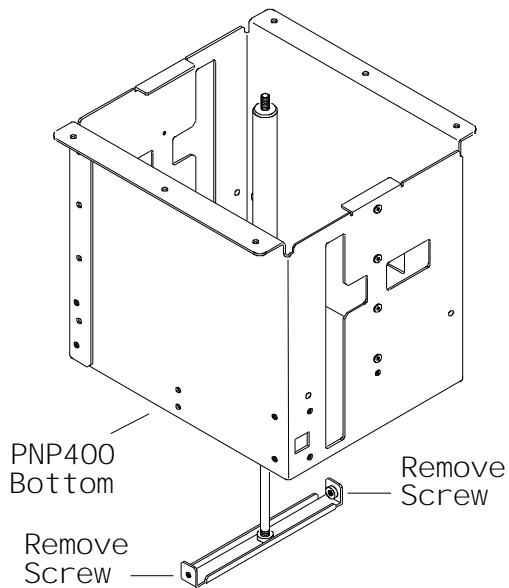


Figure 3: Spring Support Bracket

7.2 HOW TO REMOVE GAS SPRING

Unscrew the support bracket from the gas spring.

On the bottom of the pop-up assembly, there is a support bracket. This bracket has a clearance hole the spring passes through.

Unscrew the gas spring from the top of the pop-up assembly.

Remove the spring by sliding through the clearance hole in the pop-up assembly support bracket.

7.3 HOW TO INSTALL GAS SPRING

Screw the replacement spring into the top of the pop-up assembly. Do NOT over tighten. The spring should be finger tightened only.

Attach the spring support bracket to the compression rod portion of the spring.

Carefully compress the new spring while aligning the support bracket mounting holes with those in the base unit.

Fasten the compression rod using 4-40 hardware. Under normal conditions the gas spring will last more than five years.

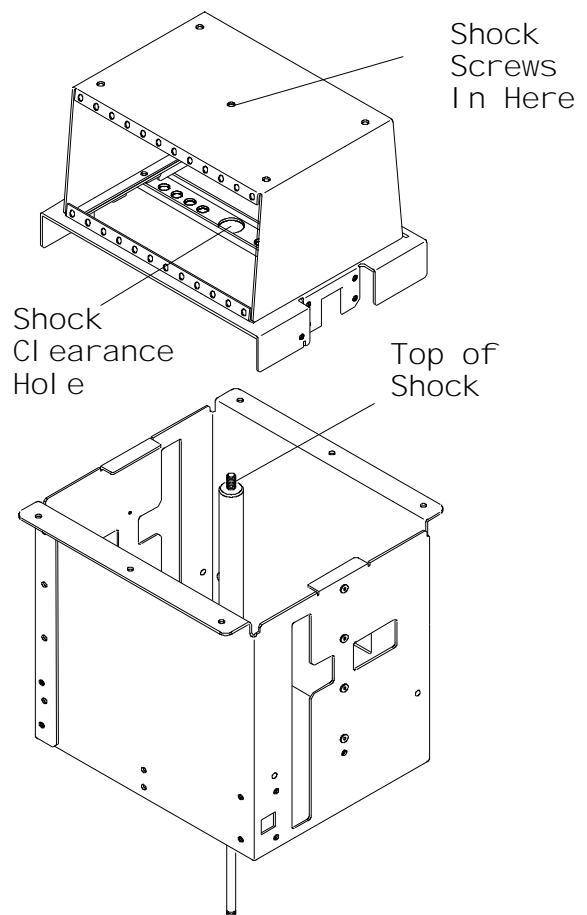


Figure 4: Removing the Gas Spring

7.4 HOW TO INSTALL SECTIONAL PLATES

Install sectional plates in the empty slots on each side of the **PNP400** until the plates snap into place. Secure the plates using the plastic reusable rivets as shown in figure 5.

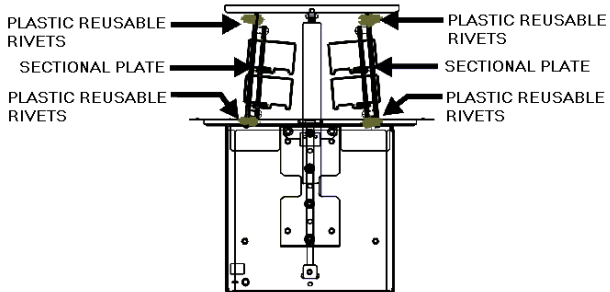


Figure 5: Installing Sectional Plates
(Internal view of PNP400)

FREQUENTLY ASKED QUESTIONS (FAQ) 8

No:	Question	Answer
1.	What happens if the spring breaks?	The unit will not stay open.
2.	What do I do if the PNP400 won't stay open?	Replace the gas spring. Call ALTINEX for service information.
3.	How much room is taken up on the underside of the table?	The unit is 5.5 inches deep maximum below the table; to this dimension add about 2.5 inches for cable clearance.
4.	What if my table is thicker than 3 inches?	Then the area under the table near the PNP400 must be reduced to 3 inches of thickness.
5.	Are cables available for connecting a PC/laptop to the PNP400 available?	Consider using MS8126CA (3ft) or MS8156CA (6ft) for VGA connection.
6.	Does ALTINEX honor any warranty on field modifications?	Anything modified by non-ALTINEX personnel is not covered by warranty.

CABLES AND ACCESSORIES 9

Model No.	Description
INPUT/OUTPUT LABELS	
MS8301LB	Adhesive label with text
COVER CUTOUTS	
CVR1001	Cover cutouts for PNP or TNP units
SECTIONAL PLATES	
SP2107US	Dual AC Power Outlet for United States & Canada with 2 slots and 12ft metal conduit
SP2201UK	AC Power Outlet for United Kingdom, Singapore & Hong Kong
SP2301CE	AC Power Outlet for Continental Europe
SP2401AU	AC Power Outlet for Australia & New Zealand
SP3102EP	Dual Empty Snap-in Ports with 1 slot
SP3103EP	Dual Empty Ortronics CAT-6 Snap-in Ports with 1 slot
SP3201AV	15-pin HD-Female to Male + 3.5mm Stereo Female to Male
SP3202AV	15-pin HD-Female to Female Gender Changer + 3.5mm Stereo Female to Terminal Block
SP3204AV	4-pin Mini DIN + RCA Female 3.5mm Stereo with 1 slot (universal plate for PNP400)

TROUBLESHOOTING GUIDE 10

The PNP400 supplied unit was carefully tested and no problems were detected; however, we would like to offer the following suggestions:

- Please make sure that the highest quality video, audio, network, and telephone cables or connectors are used.
- If there has been damage, then do not use the PNP400 unit. Immediately contact the ALTINEX Sales Department to have the unit repaired.

ALTINEX POLICY 11

11.1 LIMITED WARRANTY / RETURN POLICY

Please see the Altinex website at www.altinex.com for details on warranty and return policy.

11.2 CONTACT INFORMATION

ALTINEX, INC

592 Apollo street

Brea, CA 92821 USA

TEL: 714 990-2300

TOLL FREE: 1-800-ALTINEX

WEB: www.altinex.com

E-MAIL: solutions@altinex.com