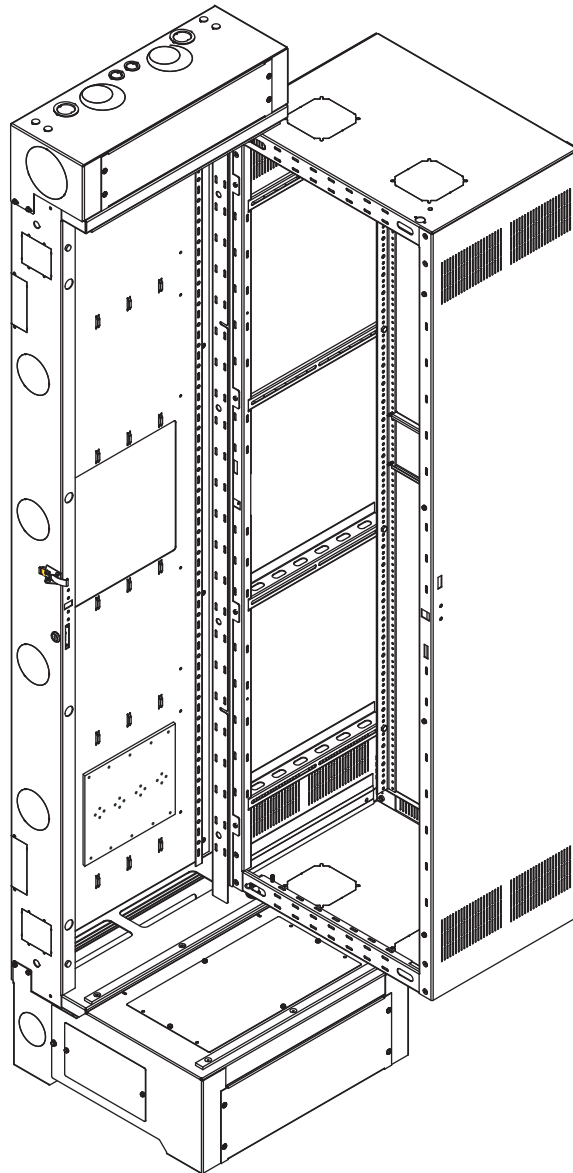


# INSTRUCTION SHEET

# SR SERIES

# PIVOTING RACK

U.S. PATENT 7,278,183



## THANK YOU

Thank you for purchasing the SR Series Pivoting Rack. Please read these instructions thoroughly before installing or assembling this product.

## PRODUCT FEATURES

- Available in 23.5" and 29" widths.
- The 29" width includes front vertical cable management.
- Tool-Free Quick-Mount™ system for easy mounting of the center section to the backpan on the job site.
- Pivots 90° on floor base for access to rear connections.
- Zero Clearance Latch option allows side-by-side or corner mounting.

  
Middle Atlantic Products  
I-00143 Rev P

## IMPORTANT SAFETY INSTRUCTIONS

- Read these instructions.
- Heed all warnings.
- Clean only with dry cloth.
- Keep these instructions.
- Follow all instructions.
- Only use attachments/accessories specified by the manufacturer.



**DANGER HAZARDOUS VOLTAGE:** The lightning flash with the arrowhead symbol, within an equilateral triangle is intended to alert the user to the presence of uninsulated dangerous voltage within the product's enclosure that may be of sufficient magnitude to constitute a risk of electric shock to persons.



**WARNING:** A warning alerts you to a situation that could result in serious personal injury or death.



**CAUTION:** A caution alerts you to a situation that may result in minor personal injury or damage to the product and/or property.



**WARNING:** Failure to read, understand and follow the following information can result in serious personal injury, damage to the equipment or voiding of the warranty.



**CAUTION:** To avoid an unstable condition, place heavier components at the bottom of the enclosure. When more than one component is placed in the enclosure, begin at the bottom of the enclosure and place equipment at the lowest available point, evenly distribute weight (horizontally) within the enclosure.

Component weight should be distributed as follows:

- 1/2 of the total component weight (at a minimum) placed in the bottom third of the cabinet.
- 1/4 of the total component weight (at a maximum) placed in the middle third of the cabinet.
- 1/4 of the total component weight (at a maximum) placed in the top third of the cabinet.



**CAUTION:** All installation and assembly steps must be performed by qualified personnel.



**CAUTION:** Ensure that the wall has a structural load capacity that will support the weight of the cabinet fully loaded with equipment.



**CAUTION:** The following parts are not effectively bonded to the protective earth terminal: Rack rails, lace bars, Lever Lock™, shelves, baffle, blanking panels, fans, and cable management. If any part needs to be bonded to the protective earth terminal it shall be done in accordance with Article 250 of the National Electrical Code.



**CAUTION:** To reduce the risk of personal injury and conform to the UL listing, the system must be grounded and bonded in accordance with Article 250 of the National Electrical Code.



**CAUTION:** Power cord, for fans or other accessories, need to be secured to ensure that they are routed away from pinch points and moving parts.



**CAUTION:** Do not attempt to unload or move the enclosures alone. Make sure to have sufficient amount of personnel and equipment to safely move this product.



**CAUTION:** Watch hands and fingers around pinch points.



**CAUTION:** Individual components mounted inside of the wall mount rack must have their own fire enclosure.



**SEISMIC COMPLIANCE:** An engineered system is vital to achieve seismic rating requirements. A licensed professional engineer must approve the type of fasteners for the wall where the rack will be mounted. Braced according to specifications set forth by licensed architects and engineers, the Middle Atlantic Products rack you purchased is capable of sustaining a phenomenal lateral load of high importance equipment with the front rails filled to a maximum capacity of 277 lbs. (125.65 kg).

## INSTRUCTIONS IMPORTANTES SUR LA SÉCURITÉ

- Lire ces instructions.
- Respectez tous les avertissements.
- Nettoyer uniquement avec un chiffon sec.
- Conservez ces instructions.
- Suivez toutes les instructions.
- N'utilisez que des accessoires spécifiés par le fabricant.



**DANGER TENSION DANGEREUSE:** Le symbole de la pointe de flèche, dans un triangle équilatéral, est destiné à alerter l'utilisateur sur la présence de tension dangereuse non isolée dans l'enceinte du produit qui peut être d'une ampleur suffisante pour constituer un risque d'électrocution.



**AVERTISSEMENT:** Un avertissement vous avertit d'une situation pouvant entraîner des blessures graves ou la mort.



**ATTENTION:** Une attention vous avertit d'une situation pouvant entraîner des blessures mineures ou des dommages au produit et/ou à la

**REMARQUE:** Une remarque est utilisée pour mettre en évidence les procédures relatives à l'installation, au fonctionnement ou à l'entretien du produit.



**AVERTISSEMENT:** Ne pas lire, comprendre et suivre les informations suivantes peut entraîner des blessures graves, des dommages à l'équipement ou de la nullité de la garantie.



**ATTENTION:** Pour éviter un état instable, placez composants les plus lourds au fond de l'enceinte. Lorsque plus d'un composant est placé dans la enceinte, commencer par le bas de l'enceinte et placer l'équipement à la point le plus bas disponible, de distribuer uniformément le poids (horizontalement) dans la enceinte.

Le poids des composants devrait être réparti comme suit:

- 1/2 du poids total de la composante (au minimum) placé dans le tiers inférieur de l'armoire.
- 1/4 du poids total de la composante (au maximum) placé dans le tiers médian de l'armoire.
- 1/4 du poids total de la composante (au maximum) placé dans le tiers supérieur de l'armoire.



**ATTENTION:** Toutes installation et de montage étapes doivent être effectuées par du personnel qualifié.



**ATTENTION:** Veiller à ce que le mur a une capacité de charge structurelle qui supporter le poids de le cabinet entièrement chargé avec l'équipement.



**ATTENTION:** Les pièces suivantes ne sont pas correctement liés à la borne de terre de protection: rails de rack, des bars de dentelle, Lever Lock™, des étagères, des chicanes, des panneaux d'obturation, ventilateurs, et la gestion des câbles. Si une partie doit être lié à la borne de terre de protection, il doit être fait conformément à l'article 250 du Code national de l'électricité.



**ATTENTION:** Pour réduire le risque de blessure et se conformer à la liste UL, le système doit être mis à la terre et collé conformément à l'article 250 du Code national de l'électricité.



**ATTENTION:** Le cordon d'alimentation, pour les fans ou autres accessoires, doivent être fixé à veiller à ce que ils sont acheminés loin des points de pincement et des pièces mobiles.



**ATTENTION:** Ne essayez pas de décharger ou déplacer les enceintes seul. Assurez-vous d'avoir quantité suffisante de personnel et de matériel pour déplacer ce produit en toute sécurité.



**ATTENTION:** Observez les mains et les doigts autour des points de pincement.



**ATTENTION:** Les composants individuels montés à l'intérieur de montage mural doivent avoir leur propre armoire à incendie.



**CONFORMITÉ SISMIQUE:** Un système d'ingénierie est essentiel pour atteindre les exigences d'évaluation sismique. Un ingénieur professionnel agréé doit approuver le type de fixations pour le mur où le rack sera monté. Conçue selon les spécifications d'architectes et d'ingénieurs agréés, l'enceinte Middle Atlantic Products que vous avez achetée est capable de supporter une charge latérale phénoménale d'équipement de grande importance avec les chutes de charge remplies jusqu'à une capacité maximale de 277 lbs. (125.65 kg).

## WEIGHT RATINGS

Model	Weight Rating
All	500 lbs. Maximum Total Rated Load

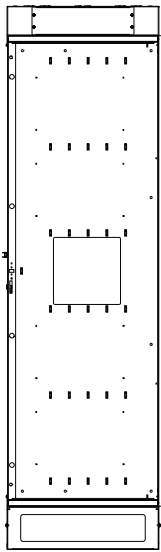


**WARNING:** This product is intended for use only with the products and maximum weights indicated. Use with other products or products heavier than the maximum weights indicated may result in instability causing possible injury. Total equipment weight must not exceed 500 lbs. (226.8 kg).

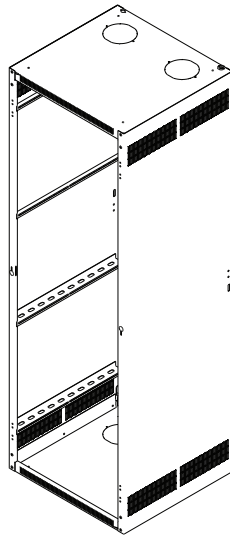


**AVERTISSEMENT:** Cette produit est conçu pour être utilisé uniquement avec les produits et les poids maximum indiqué. uniquement avec les produits et les poids maximaux indiqués. En cas d'utilisation avec d'autres produits ou des produits plus lourds que le poids maximal indiqué, le chariot peut devenir instable et causer des blessures. Le poids total de l'équipement ne doit pas dépasser 226.8 kg (500 lbs).

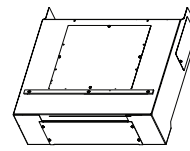
## SUPPLIED COMPONENTS AND HARDWARE



Backpan  
A



Center Section  
B



Support Base  
C



(2x)  
Key  
D



Trim  
E

## REQUIRED TOOLS

- Power Driver
- 1/2" Socket
- 3/8" Socket
- 5/16" Deep Socket
- 3/16" Drill Bit
- Level
- 3' Step Ladder (Optional)
- No. 2 Phillips Driver



**WARNING:** Use tools with caution and follow all necessary safety protocols.

**AVERTISSEMENT:** Utiliser des outils avec prudence et suivre tous les protocoles de sécurité nécessaires.

## INTRODUCTION

### NOTE:

- Enclosures shown in this instruction sheet include show the zero clearance latch (DWRSR-ZL) and sub plate (SR-SUB) options, which may or may not be a part of your configuration.
- Not all options available for the enclosure are included in these instructions and separate instruction sheets are available for the individual options.
- Topics in this guide indicate that the zero clearance latch and sub plate options must be installed prior to the enclosure assembly as do their separate instruction sheets.

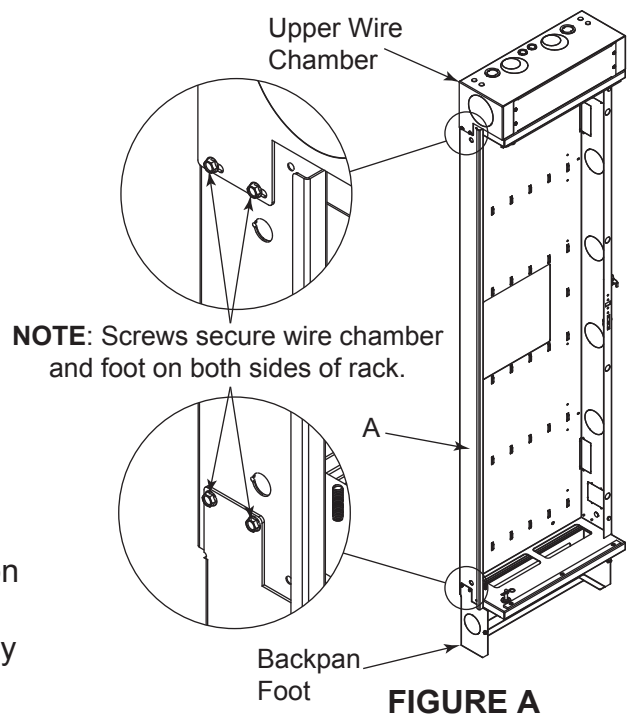


## REVERSING THE PIVOT DIRECTION

This rack is factory configured for a right-hand pivot and may be reversed using the following procedure:

1. If upper wire chamber is already installed, use a 5/16" socket to remove (4x) screws to remove it from the backpan. (**FIGURE A**)
2. Use 5/16" socket to remove (4x) screws to remove the backpan foot from the backpan.
3. Carefully rotate backpan (A) 180°.
4. Replace the upper wire chamber using previously removed hardware.
5. Replace the backpan foot using previously removed hardware.

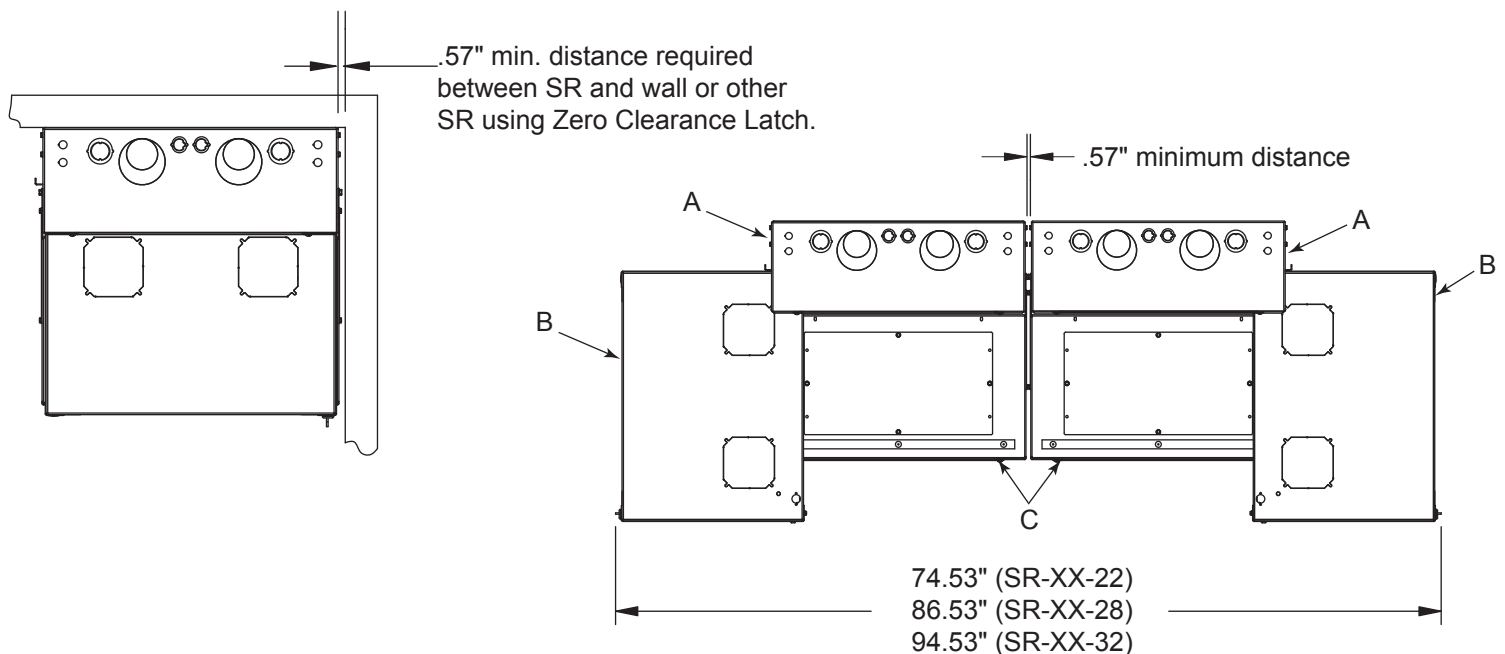
**NOTE:** Holes are provided on both sides of center section so bushing can be moved if rack is loaded and backpan is mounted with pivot on wrong side. Top and bottom may need to be removed for access to bushings.



## ZERO CLEARANCE LATCH OPTION (DWRSR-ZL)

### NOTE:

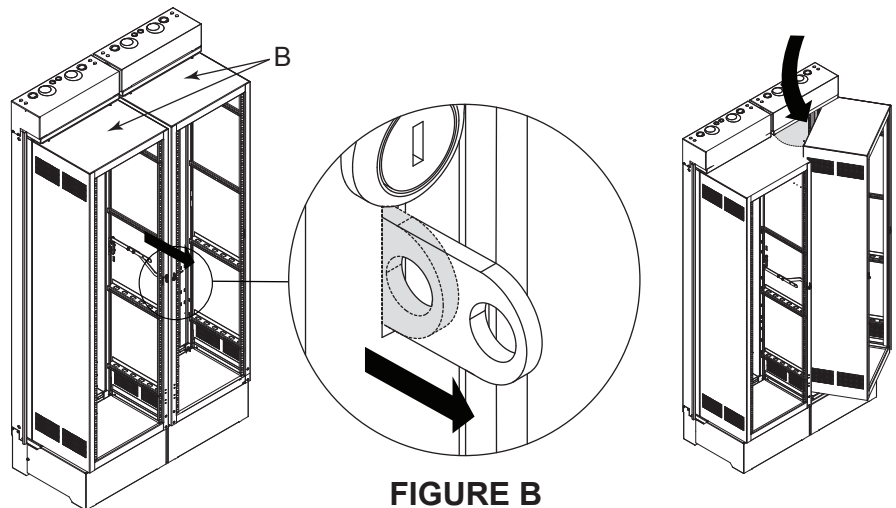
- Install the zero clearance latch option before mounting the backpan (A) to the wall and loading equipment into the rack.
- For installation instructions, refer to the DWRSR-ZL Zero Clearance Latch instruction sheet (I-00142).
- The DWRSR-ZL must be installed for seismic compliance.



## ZERO CLEARANCE LATCH OPTION (DWRSR-ZL, CONTINUED)

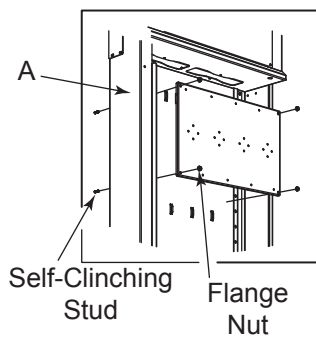
The zero clearance latch option saves valuable wall space by allowing wall racks to be placed side-by-side, in a corner, or wherever side clearance is an issue. This easy to install option upgrades new SR Series racks to allow the center section (B) to lock closed without the need for side latches.

To open, simply pull the convenient front-mounted handle. **(FIGURE B)** Unlike time-consuming threaded rods, the unique latch provides keylocked security from the front (keyed differently from optional front door).

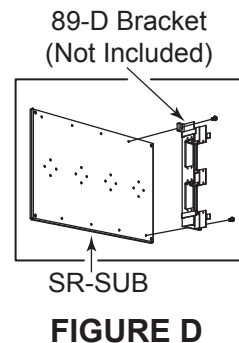


## INSTALLING THE SUB PLATE MOUNTING OPTION (SR-SUB)

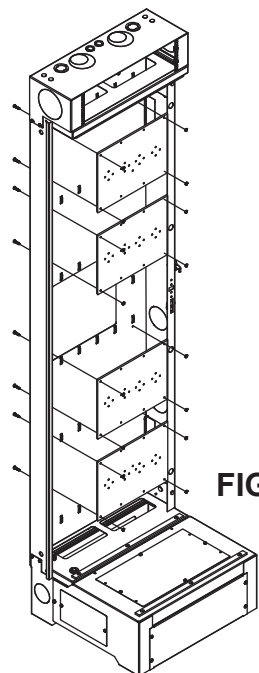
**NOTE:** Install the sub plate mounting option before mounting the backpan to the wall and loading equipment into the rack.



- Insert self-clinching stud through mounting holes in backpan (A), through SR-SUB, and then tighten flange nuts on self-clinching studs. **(FIGURE C)** Hardware included with option.



- Each SR-SUB allows for the mounting of up to (4x) 89-D type brackets, (4x) 1900 boxes or (1x) Raco 3 gang box. **(FIGURE D)** Hardware included with option.



**NOTE:** Install the sub plate mounting option before mounting the backpan (A) to the wall and loading equipment into the rack.

- Mount up to (4x) SR-SUB sub plates to each backpan (depending on model) using mounting holes and included hardware. **(FIGURE E)**

**NOTE:** Shown with center section (B) of enclosure removed for clarity.

## PRIOR TO MOUNTING BACKPAN TO WALL

### NOTE:

- When installing next to another SR or wall using the zero clearance latch option, perform the support base (C) installation for access to the base screws before mounting the backpan (A). For more information, see "Installing the Base" on page 8.
- On 46 space SR enclosures, you may install either a dust cover or upper wire chamber option on top of the rack. For more information, refer to the Dust Cover and Upper Wire Chamber Options instruction sheet (I-00155).

## MOUNTING THE BACKPAN TO STUDS



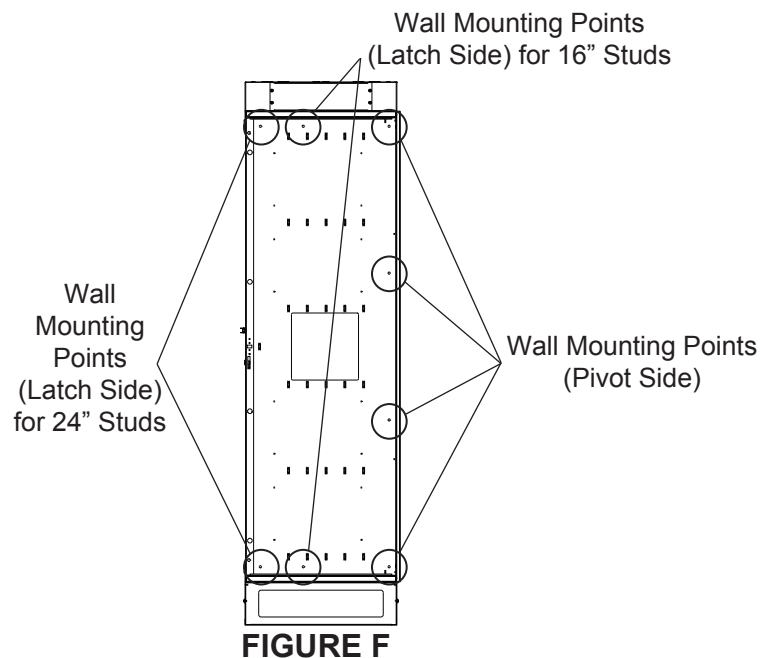
**CAUTION:** The backpan must be installed plumb and level for proper operation.

**ATTENTION:** La plaque profilée doit être aplomb et de niveau pour un fonctionnement.

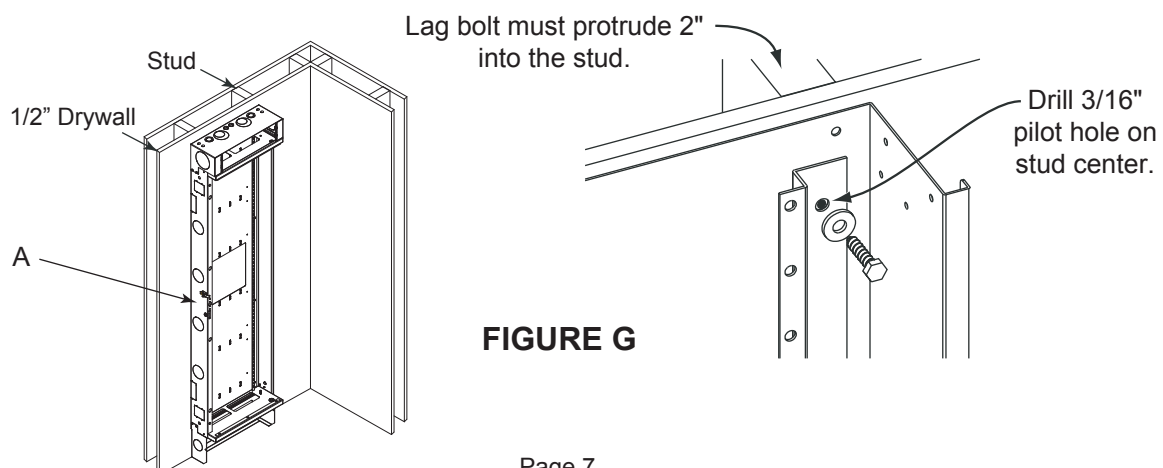
### NOTE:

- Ensure the backpan (A) is screwed to the studs. **(FIGURE G)**
- Use 5/16" diameter lag bolts with a minimum length of 2" and standard flat washers for hardware (not provided).
- The standard flat washers must be installed under the lag bolt heads.

1. Align backpan (A) to selected wall location and mark pilot holes through wall mounting points as shown. **(FIGURE F)**



2. Use power driver and 3/16" bit to drill pilot holes on stud center markings. **(FIGURE F)**
3. Use 1/2" socket, 5/16" lag bolts and washers (not provided) in 6 places: (4x) on pivot side and (2x) on latch side. **(FIGURE F)**



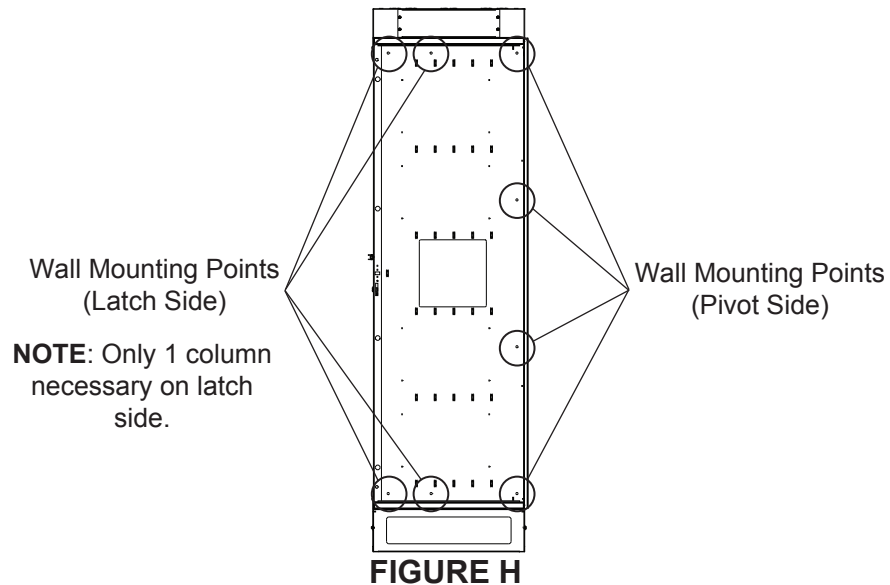
## MOUNTING THE BACKPAN TO CONCRETE BLOCK (INSTALL NOT EVALUATED BY UL)



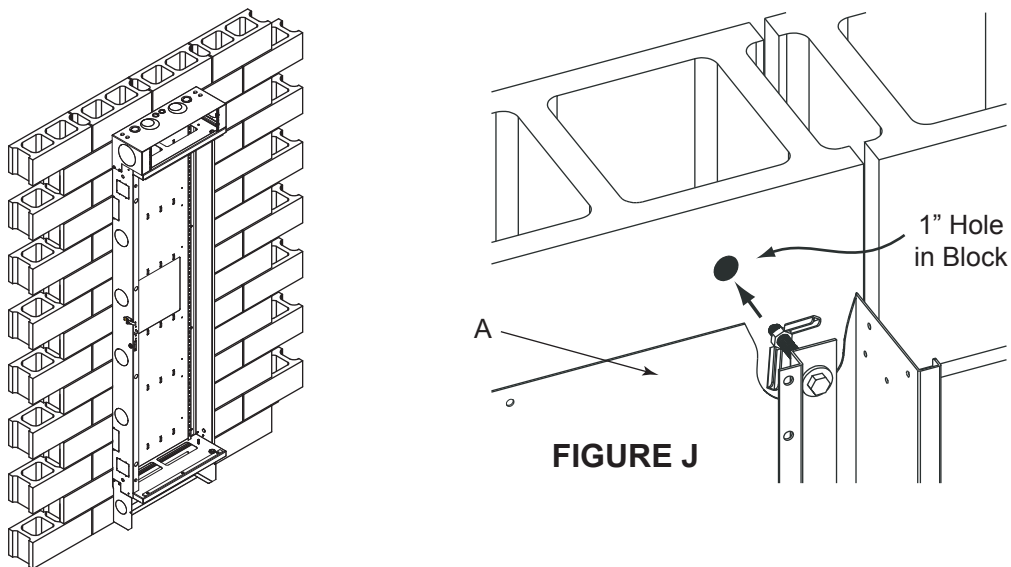
**CAUTION:** The backpan must be installed plumb and level for proper operation.

**ATTENTION:** La plaque profilée doit être aplomb et de niveau pour un fonctionnement.

1. Align backpan (A) to selected wall location and mark pilot holes through wall mounting points as shown. (**FIGURE H**)

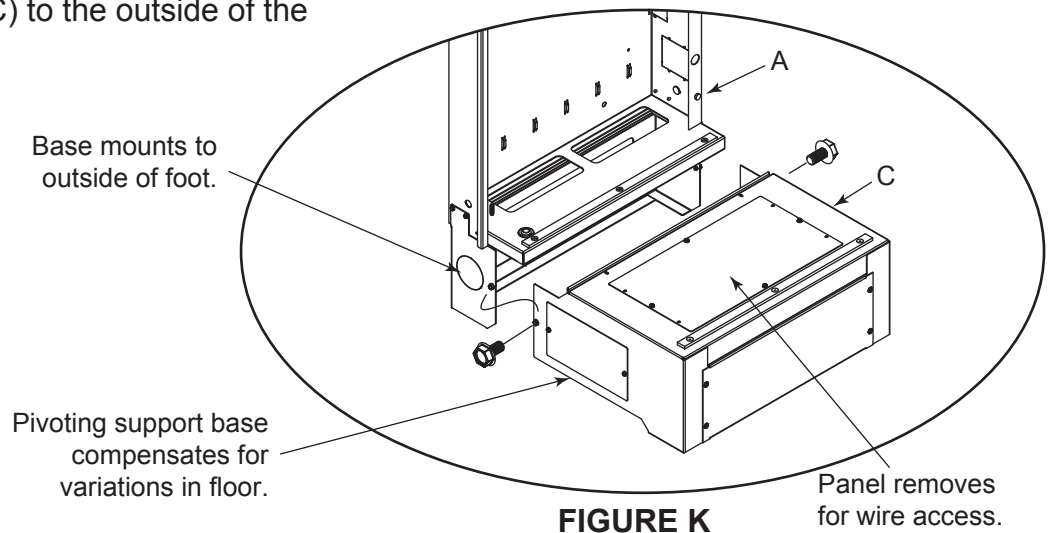


2. Drill at least 1" into concrete block for your selected hardware (not provided). (**FIGURE J**)
3. Use toggle bolts and washers (or other appropriate hardware, not provided) in 6 places: (4x) on pivot side and (2x) on latch side. (**FIGURE H**)



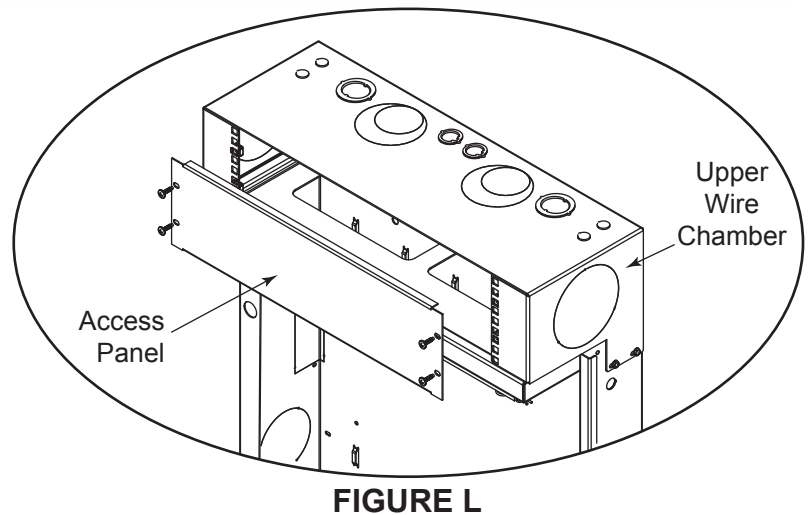
## INSTALLING THE BASE

1. Use 3/8" socket to remove (2x) 3/8" screws pre-installed on the bottom foot of the backpan (A). (FIGURE K)
2. Position the support base (C) to the outside of the backpan foot (A).
3. Use hardware from previous step to attach the base (C) to the backpan foot (A).

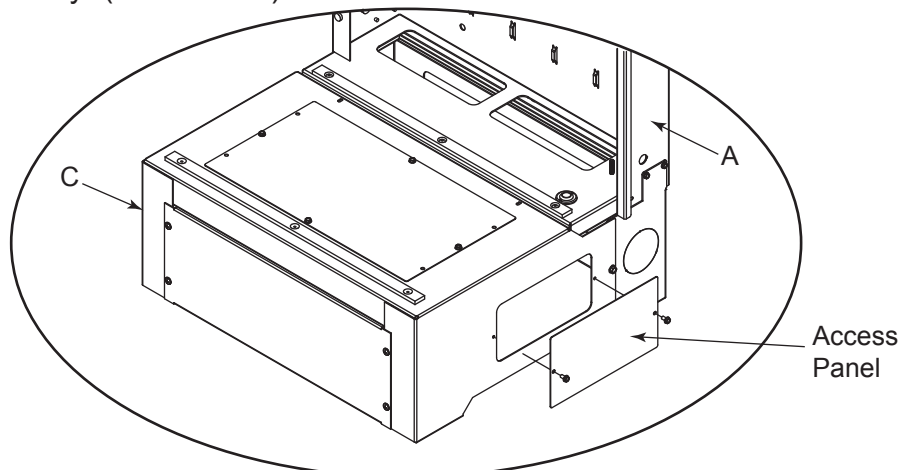


## PREPARING TO MOUNT CENTER SECTION

1. Use No. 2 Phillips driver to remove (4x) screws and remove top access panel from the upper wire chamber. (FIGURE L)
2. **FOR 46 SPACE SR ENCLOSURES ONLY:** Remove dust cover, if installed, before proceeding. For more information, refer to the Dust Cover and Upper Wire Chamber Options instruction sheet (I-00155).



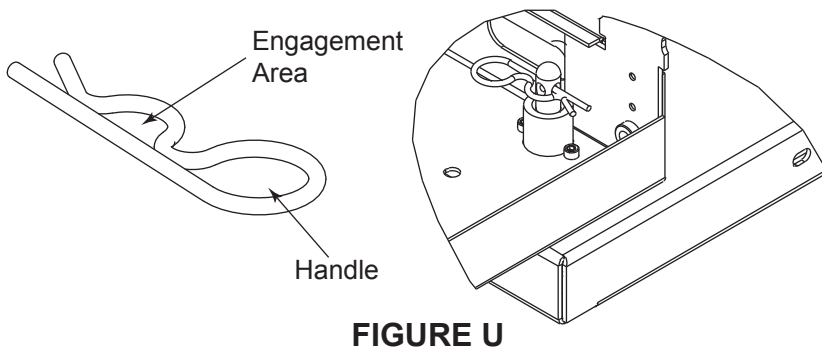
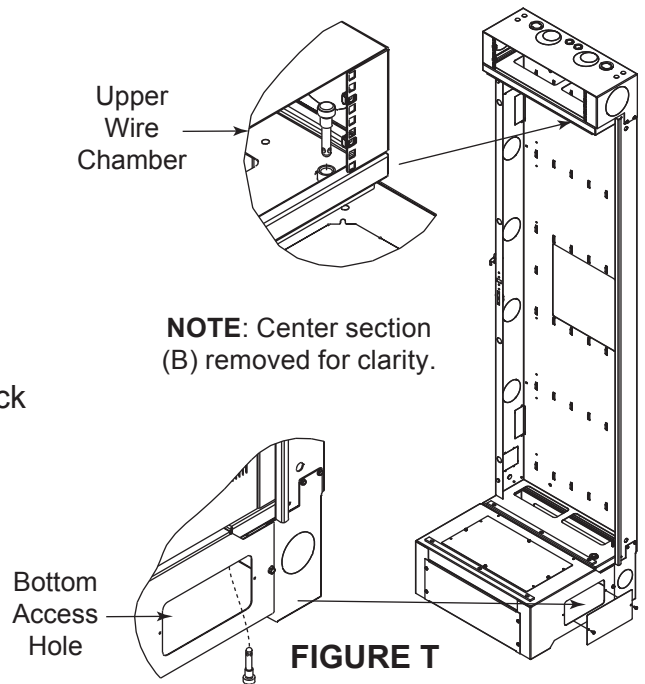
3. Use 5/16" socket to remove (2x) screws and bottom access panel on the pivot side of the base (C) only. (FIGURE M)





## MOUNTING THE CENTER SECTION TO THE BACKPAN (CONTINUED)

6. Keeping the center section (B) in the closed position, insert a pivot pin through the bottom access hole into bushing, hand tighten fully, and then back out one turn. **(FIGURE T)**
7. Open center section (B) slightly for top pin alignment.
8. Going through the upper wire chamber, drop the pivot pin into the top bushing (use tip of pin to find alignment) and insert, hand tighten fully, and then back out one turn.



9. As a final security measure, open the center section (B) and install security clips through hole in the pivot pin. (This prevents removal of the pivot pins from the exterior of the enclosure.) **(FIGURE U)**

### NOTE:

- Slide security clip into engagement area. Do not push pin in all the way. **(FIGURE U)**
  - The center section (B) may be secured to the backpan (A) using the latch.
  - The keys (D) may be used for additional security when securing your enclosure in the closed position.
10. Re-install access panels by reversing the steps in "Preparing to Mount Center Section" on page 9.
  11. **FOR 46 SPACE SR ENCLOSURES ONLY:** Install dust cover or upper wire chamber option. For more information, refer to the Dust Cover and Upper Wire Chamber Options instruction sheet (I-00155).

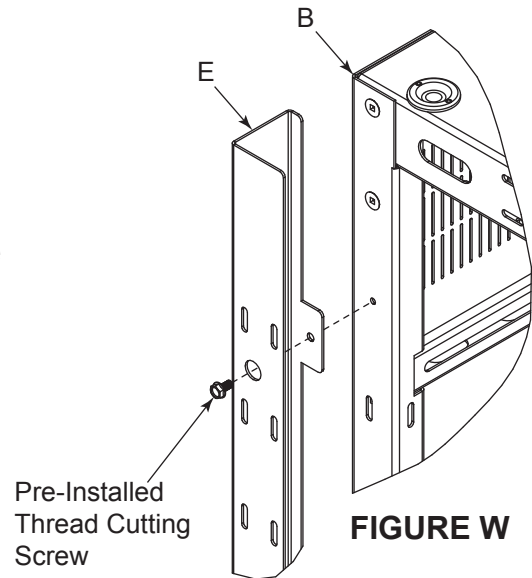


## INSTALLING THE TRIM TO THE BACK, PIVOT SIDE OF THE CENTER SECTION

1. Pivot center section (B) into fully open position.
2. Use power driver and 5/16" deep socket to remove (4x) pre-installed screws on the back, pivot side of the center section (B).
3. Use hardware from previous step to attach trim (E) to the center section's (B) back, pivot side. (**FIGURE W**)

### NOTE:

- Screws are supplied on both sides for your convenience.
- Leave unused screws in place on opposite side.

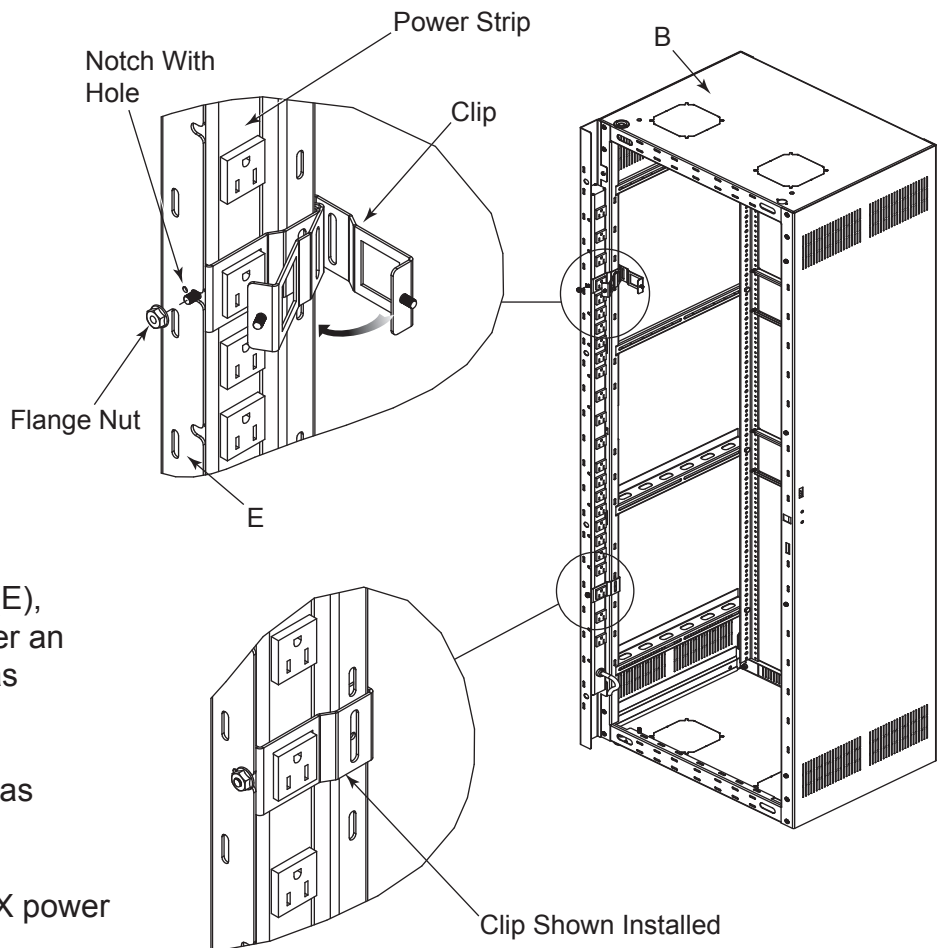


## MOUNTING A POWER STRIP TO THE TRIM

Middle Atlantic Products power strips (PD-815SC, PD-815SC-NS, PD-2415SC, PD-2415SC-NS and PD-2420SC-NS only) can be mounted inside the center section trim (E) with the included hardware. This simplifies cable management with no additional accessories required.

### NOTE:


- PD-2415SC, PD-2415SC-NS, and PD-2420SC-NS power strips only fit in the 40 and 46 space wall racks and require the use of 2 clips. Install clips only to trim notches with a hole.
- Power strips PD-815SC and PD-815SC-NS fit in all SR Series wall racks and require only 1 clip. Clip can be installed on any trim notch.



1. Place the power strip in the trim (E), positioned so the clip mounts over an outlet and aligns with the notch as shown. (**FIGURE X**)
2. Install clip and tighten flange nut as shown.

**NOTE:** Installation using a PD-24XX power strip installed with 2 clips shown.

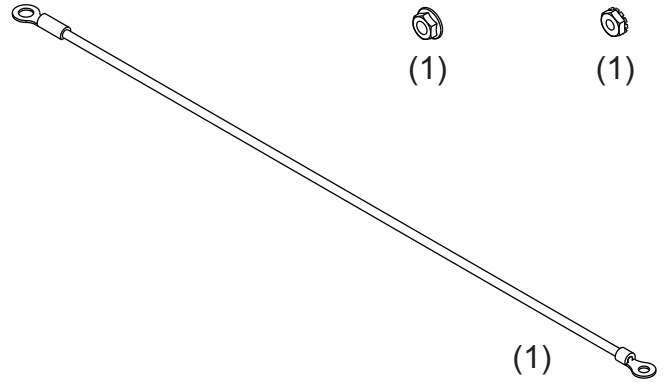
## GROUNDING AND BONDING

Protective Earth Terminals (PET) are located in backpan of the wall rack. These terminals are marked with the symbol   
Wall rack parts, center section and door, contain or are provided with bonding points for connection to the backpan / PET.  
Protective earth and bonding connections shall be in accordance with Article 250 of the National Electric Code.

### OPTIONAL PROTECTIVE EARTH TERMINAL KIT: #PET-K-D/EWR

#### **PARTS LIST**

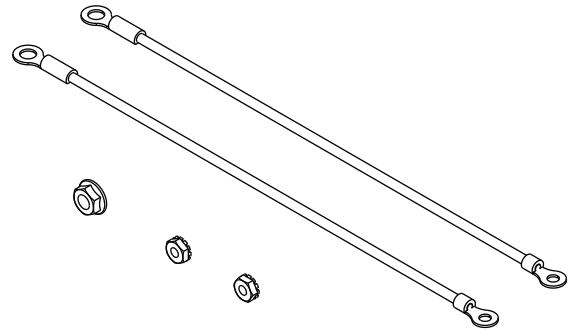
- |                                                                                         | <u>QTY</u> |
|-----------------------------------------------------------------------------------------|------------|
| • Backpan bonding wire [12 Gauge Wire<br>(#10 ring terminal to 1/4" ring terminal) 14"] | (1)        |
| • Flange Nut 1/4-20                                                                     | (1)        |
| • Locking Nut 10-32                                                                     | (1)        |



### OPTIONAL PROTECTIVE EARTH TERMINAL KIT: #PET-K-SR

#### **PARTS LIST**

- |                                                                                     | <u>QTY</u> |
|-------------------------------------------------------------------------------------|------------|
| • Door bonding wire [12 Gauge Wire<br>(#10 ring terminal to 1/4" ring terminal) 9"] | (2)        |
| • Flange Nut 1/4-20                                                                 | (1)        |
| • Locking Nut 10-32                                                                 | (2)        |



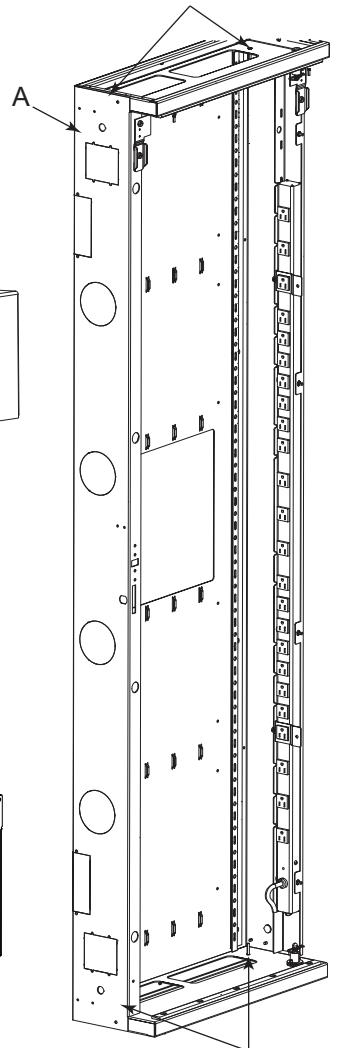
## GROUNDING AND BONDING (CONTINUED)

1. Attach backpan bonding wire from 1/4"-20 backpan protective earth terminal (PET) to nearest center section (B) bonding stud (10-32) using hardware provided. (**FIGURE Y**)

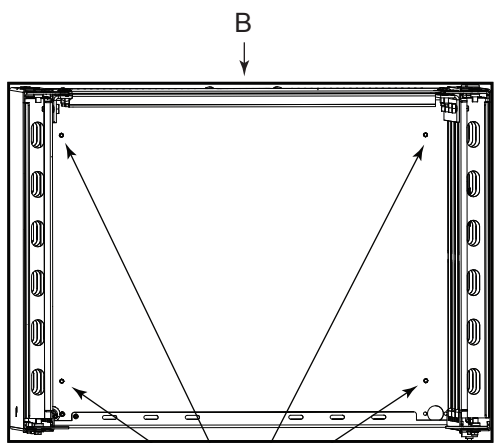
**NOTE:** The main protective earth ground needs to be the first terminal placed on the PET and this terminal needs to be secured on its own with a nut. The bonding wire for the center section (B) can be added to the PET after securing the nut for the main ground.

2. Attach cable entry bonding wire from upper wire chamber to nearest 10-32 center section (B) bonding stud using hardware provided.
3. Attach base bonding wire from support base (C) to nearest center section (B) bonding stud (10-32) using hardware provided.

(2x Upper, 2x Lower)  
Backpan PET Studs

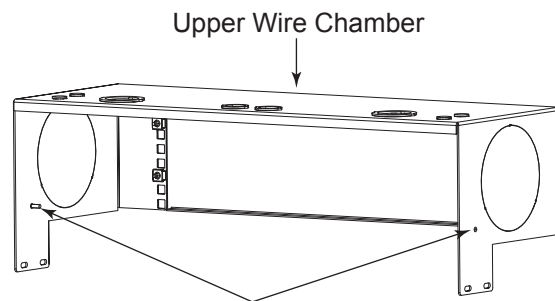


(2x Upper, 2x Lower)  
Backpan PET Studs

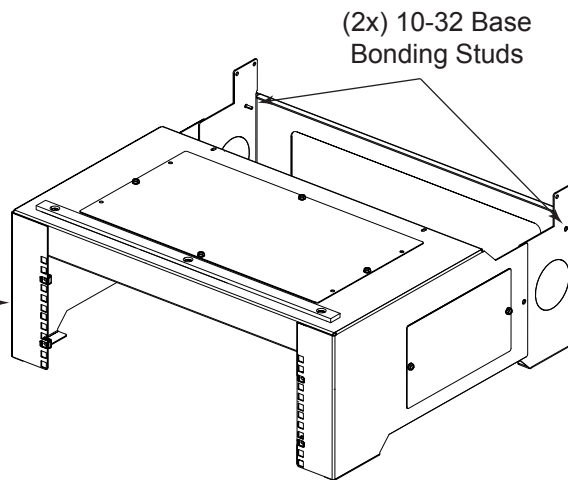


(4x Upper, 4x Lower) 10-32  
Center Section Bonding Studs

Top View



(2x) 10-32 Upper Wire Chamber  
Bonding Studs



(2x) 10-32 Base  
Bonding Studs

**FIGURE Y**

## **WARRANTY**

For warranty information, refer to <http://www.middleatlantic.com/company/about-us.aspx#warranty>

### **Corporate Headquarters**

Corporate Voice: 973-839-1011 - Fax: 973-839-1976 / International Voice: +1 973-839-8821 -  
Fax: +1 973-839-4982

[www.middleatlantic.com](http://www.middleatlantic.com) - [info@middleatlantic.com](mailto:info@middleatlantic.com)

### **Middle Atlantic Canada**

Voice: 613-836-2501 - Fax: 613-836-2690 / [ca.middleatlantic.com](http://ca.middleatlantic.com) -  
[customerservicecanada@middleatlantic.ca](mailto:customerservicecanada@middleatlantic.ca)

### **Factory Distribution**

USA: NJ - CA - IL Canada: ON - BC

**At Middle Atlantic Products we are always listening. Your comments are welcome.**

**Middle Atlantic Products is an ISO 9001 and ISO 14001 Registered Company.**



**Middle Atlantic Products**

what great systems are built on™

[middleatlantic.com](http://middleatlantic.com) ■ 800.266.7225