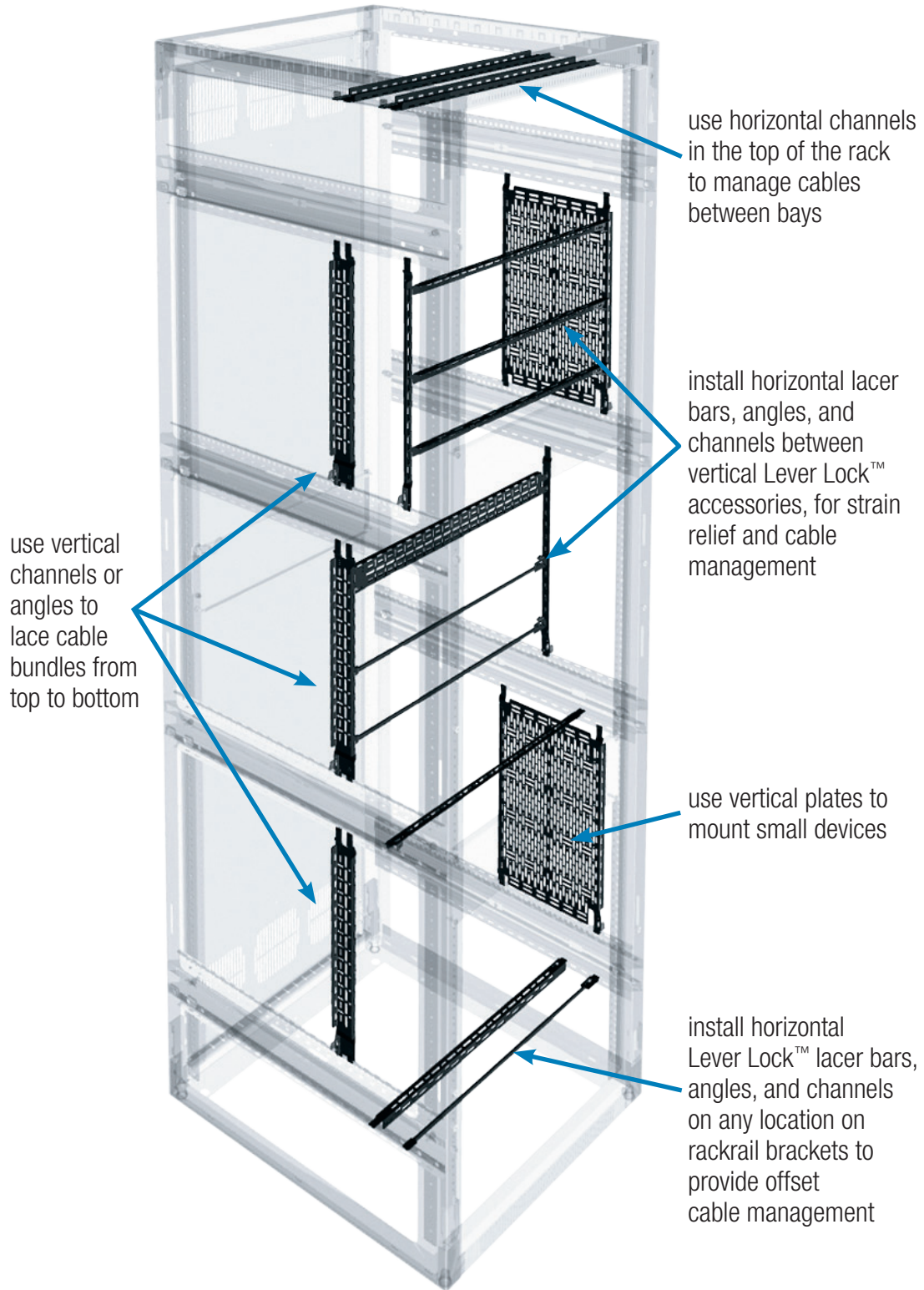


INSTALLATION INSTRUCTIONS

LEVER LOCK™ SERIES

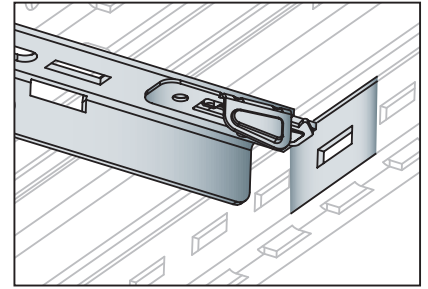


Lever Lock™ TOOL FREE INTERNAL MANAGEMENT SYSTEM

PATENT PENDING

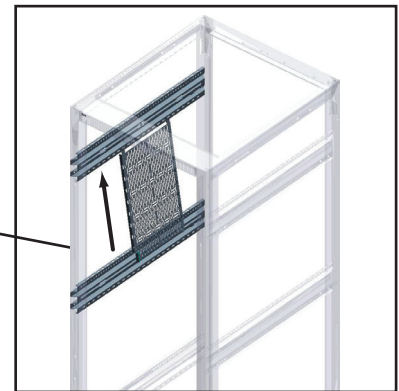
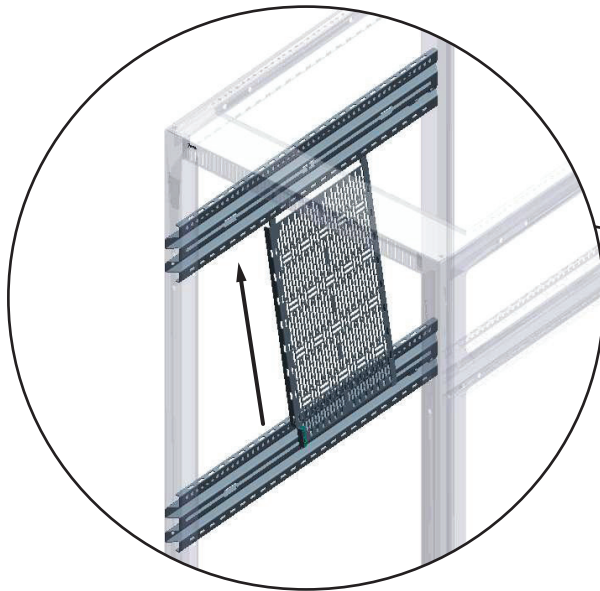
Lever Lock™ OPERATION EXAMPLES

- Shown here is an example of Lever Lock™ operation (horizontal installation shown).
- Included with the Lever Lock™ accessory are plastic securing rivets. See page 3 for rivet installation.
- When using Din Rail, the clip must go to the outside of the rack.
- Face the flanges to the outside of the rack for the most usable surface (plate and channel).

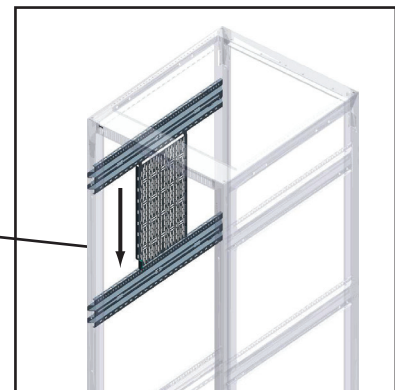
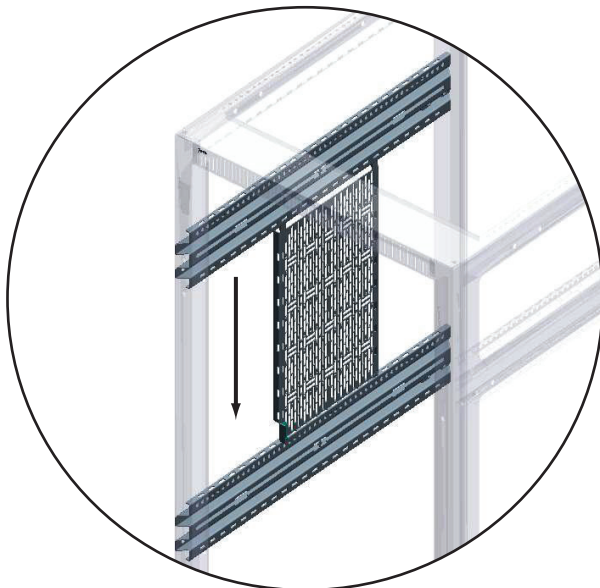


VERTICAL INSTALLATION

- 1) Insert the Lever Lock™ accessory into the mating slots in the top rackrail brackets. Ensure the lock mechanism is installed in the bottom rackrail bracket for proper securement.



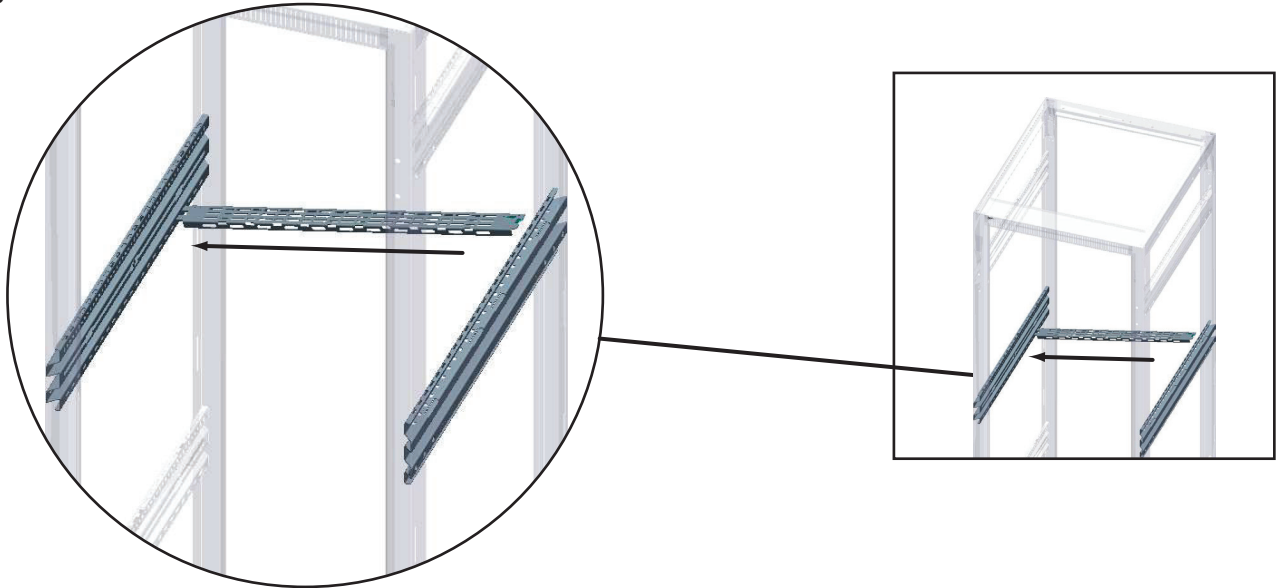
- 2) Fully insert into the top rackrail slots, and then push down into the corresponding slots in the lower rackrail bracket to lock the accessory into place. The Lever Lock™ will click into place when engaged.



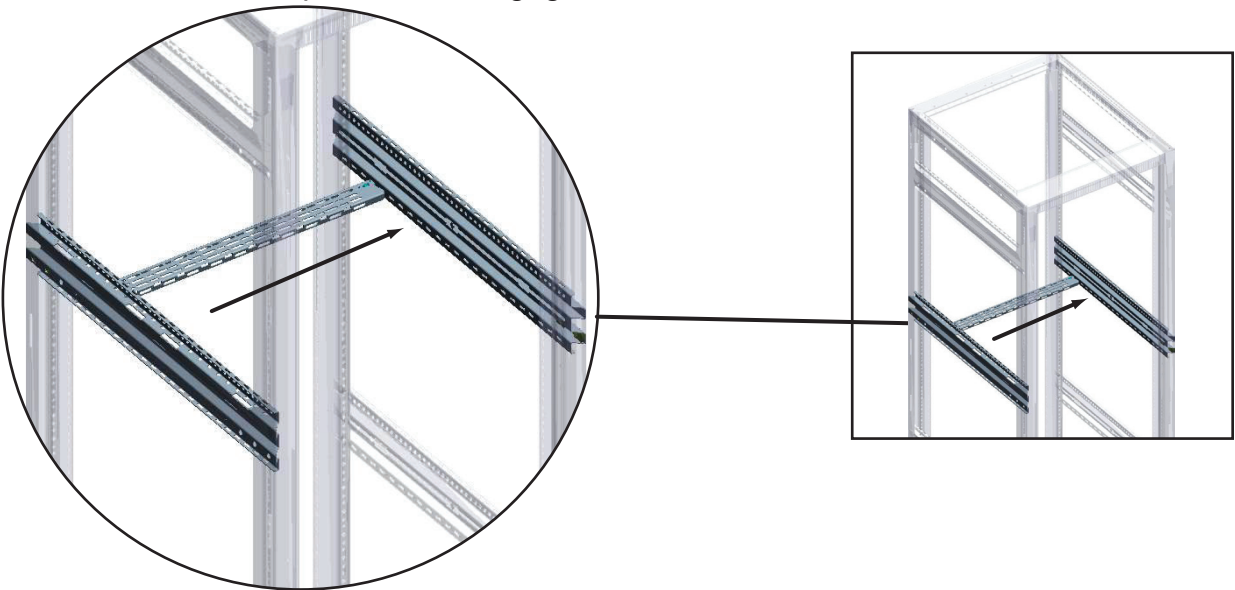
HORIZONTAL INSTALLATION

1) Insert the Lever Lock™ accessory into the mating slots in the side rackrail brackets or vertical Lever Lock™.

NOTE: All horizontal Lever Lock™ accessories can be installed using any vertical Lever Lock™ accessory.

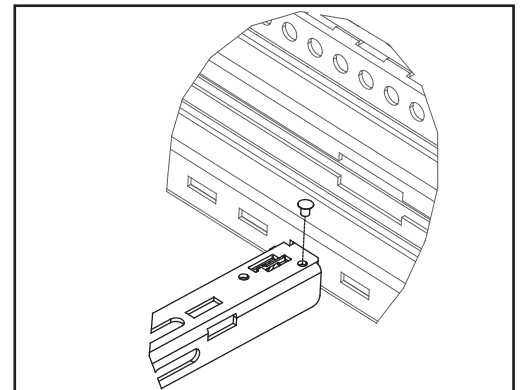


2) Fully insert into the opposite side rackrail slots, and then push into place to lock the accessory. The Lever Lock™ will 'click' into place when engaged.



SECURING RIVET INSTALLATION

- Install plastic securing rivet into the inner holes as shown. This rivet can be used for seismic installations and for transporting a populated Lever Lock™ accessory.



USAGE TABLES

- BGR Series Lever Lock™ usage table

Gangable Part #	Stand-Alone Part #	Compatible Lever Lock™ Accessories									Multi Packs (7 pieces total)**
		Vertical Angle*	Vertical Channel*	Horizontal Round*	Horizontal Channel*	Horizontal Angle*	Horizontal 2" Off-Set Angle	Horizontal 4" Off-Set Angle	Vertical Din Rail	Vertical 10" Deep Plate	
BGR-1927	BGR-19SA-27	LL-VA17	LL-VC17	LL-HR21	LL-HC21	LL-HA21	LL-H2A21	LL-H4A21	LL-VDIN17	LL-VP1710	
-	BGR-19SA27MDK-xx	LL-VA17	LL-VC17	LL-HR21	LL-HC21	LL-HA21	LL-H2A21	LL-H4A21	LL-VDIN17	LL-VP1710	
BGR-2527	BGR-25SA-27	LL-VA21	LL-VC21	LL-HR21	LL-HC21	LL-HA21	LL-H2A21	LL-H4A21	LL-VDIN21	LL-VP2110	-
-	BGR-25SA27MDK-xx	LL-VA21	LL-VC21	LL-HR21	LL-HC21	LL-HA21	LL-H2A21	LL-H4A21	LL-VDIN21	LL-VP2110	-
BGR-2532	BGR-25SA-32	LL-VA21	LL-VC21	LL-HR21	LL-HC21	LL-HA21	LL-H2A21	LL-H4A21	LL-VDIN21	LL-VP2110	LL-MP21
-	BGR-25SA32MDK-xx	LL-VA21	LL-VC21	LL-HR21	LL-HC21	LL-HA21	LL-H2A21	LL-H4A21	LL-VDIN21	LL-VP2110	LL-MP21
BGR-3827	BGR-38SA-27	LL-VA21	LL-VC21	LL-HR21	LL-HC21	LL-HA21	LL-H2A21	LL-H4A21	LL-VDIN21	LL-VP2110	LL-MP21
BGR-3832	BGR-38SA-32	LL-VA21	LL-VC21	LL-HR21	LL-HC21	LL-HA21	LL-H2A21	LL-H4A21	LL-VDIN21	LL-VP2110	LL-MP21
BGR-4127	BGR-41SA-27	LL-VA17	LL-VC17	LL-HR21	LL-HC21	LL-HA21	LL-H2A21	LL-H4A21	LL-VDIN17	LL-VP1710	LL-MP21
BGR-4132	BGR-41SA-32	LL-VA17	LL-VC17	LL-HR21	LL-HC21	LL-HA21	LL-H2A21	LL-H4A21	LL-VDIN17	LL-VP1710	-
BGR-4138	-	LL-VA17	LL-VC17	LL-HR21	LL-HC21	LL-HA21	LL-H2A21	LL-H4A21	LL-VDIN17	LL-VP1710	-
BGR-4527	BGR-45SA-27	LL-VA21	LL-VC21	LL-HR21	LL-HC21	LL-HA21	LL-H2A21	LL-H4A21	LL-VDIN21	LL-VP2110	-
BGR-4532	BGR-45SA-32	LL-VA21	LL-VC21	LL-HR21	LL-HC21	LL-HA21	LL-H2A21	LL-H4A21	LL-VDIN21	LL-VP2110	LL-MP21
BGR-4538	-	LL-VA21	LL-VC21	LL-HR21	LL-HC21	LL-HA21	LL-H2A21	LL-H4A21	LL-VDIN21	LL-VP2110	LL-MP21

*Available in 4 packs. Please suffix part number with -4. **Multi packs include (2) LL-VC21, (4) LL-HA21, and (1) LL-VP2110

- DTRK Series Lever Lock™ usage table

Part #	DTRK Lever Lock™ Options Lever Lock™ Height
DTRK-718	-
DTRK-1018	LL-VA21 and LL-VC21
DTRK-1218	LL-VA21 and LL-VC21
DTRK-1418	LL-VA21 and LL-VC21
DTRK-1818	LL-VA21 and LL-VC21

NOTE: Requires LL-DTRK Lever Lock™ Kit

WARRANTY

Middle Atlantic Products, Inc. (the "Company") warrants the Lever Lock™ accessory to be free from defects in material or workmanship under normal use and conditions for the lifetime of the product.

The Company's entire liability to the purchaser, and the purchaser's (or any other party's) sole and exclusive remedy, under this warranty shall be limited, at the Company's option, to either (a) return of and refund of the price paid for, or (b) repair or replacement at the Company's factory of the products purchased, or any part or parts thereof, which the Company has determined to be defective after inspection thereof at the Company's factory. This warranty does not cover damage due to acts of God, accident, misuse, abuse or negligence by parties other than the Company, or any modification or alteration of the products. In addition, this warranty does not cover damage due to improper handling, assembly, installation or maintenance.

THIS WARRANTY IS IN LIEU OF ALL OTHER WARRANTIES OF ANY KIND, EITHER EXPRESSED OR IMPLIED, INCLUDING, BUT NOT LIMITED TO, IMPLIED WARRANTIES OF MERCHANTABILITY AND FITNESS FOR A PARTICULAR PURPOSE.

TO THE MAXIMUM EXTENT PERMITTED BY APPLICABLE LAW, IN NO EVENT SHALL THE COMPANY BE LIABLE FOR ANY SPECIAL, INCIDENTAL, INDIRECT, OR CONSEQUENTIAL DAMAGES WHATSOEVER (INCLUDING, WITHOUT LIMITATION, DAMAGES FOR LOSS OF BUSINESS PROFITS, BUSINESS INTERRUPTION OR ANY OTHER PECUNIARY LOSS) ARISING OUT OF THE USE OF THE PRODUCTS PURCHASED, EVEN IF THE COMPANY HAS BEEN ADVISED OF THE POSSIBILITY OF SUCH DAMAGES. THE COMPANY'S LIABILITY TO THE PURCHASER (OR ANY OTHER PARTY) HEREUNDER, IF ANY, SHALL IN NO EVENT EXCEED THE PURCHASE PRICE OF THE PRODUCTS PAID TO THE COMPANY.

Corporate Headquarters

Corporate Voice 973-839-1011 - Fax 973-839-1976 / International Voice +1 973-839-8821 - Fax +1 973-839-4982
middleatlantic.com - info@middleatlantic.com

Middle Atlantic Canada

Voice 613-836-2501 - Fax 613-836-2690 / middleatlantic.ca - customerservicecanada@middleatlantic.ca

Factory Distribution

USA: NJ - CA - IL Canada: ON - BC

At Middle Atlantic Products we are always listening. Your comments are welcome.