

**FUJIFILM**  
expect INNOVATION™

# EXCEED *Series*

1/3 Inch Digital Servo Standard



**QuickZoom**  
**Innerfocus**

**XT17sx4.5BRM**

*Technology That Inspires...*

**FUJINON**

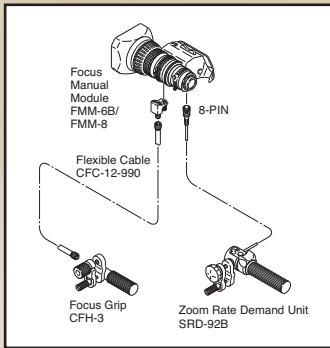
# XT17sx 4.5BRM



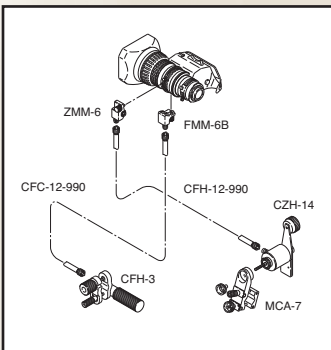
LENS	XT17sx4.5 BRM
Zoom Ratio / Format	17X / 1/3"
Focal Length	4.5 ~ 77 mm
Maximum Relative Aperture	1:1.6 (4.5-77 mm)
M.O.D. from Front of Lens	0.95 m
Object Dimensions at M.O.D.	4.5mm 999 x 562 mm 77mm 60 x 34 mm
Angular Field of View (Hor. x Vert. in °)	4.5 mm 60° 19' x 36° 11' 77 mm 3° 53' x 2° 11'
Filter Size	ø82mm P=0.75
Inner Focus	Yes
Macro	Yes
Size (HxWxL)	ø85 x 175.6 mm
Weight	1.28 kg
Features	QuickZoom, Innerfocus, Digital Servo

## ACCESSORIES: HD & SD ENG/EFP PROFESSIONAL REAR CONTROL KITS

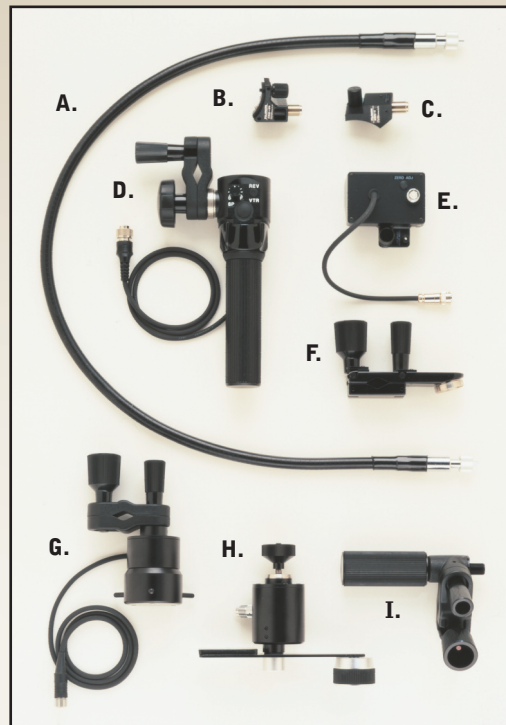
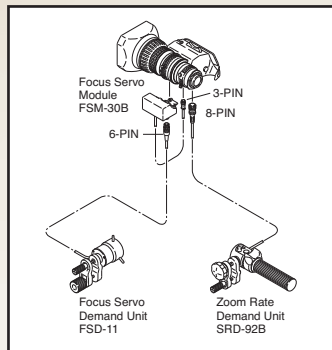
### MS-01 Manual Focus/Servo Zoom



### MM-01 Manual Focus/Manual Zoom Not available on S16x7.3



### SS-01 Servo Focus/Servo Zoom Not available on S16x7.3



- A. CFC-990 Flex Cable
- B. FMM-6B/FMM-8\* Focus Manual Module
- C. ZMM-6 Zoom Manual Module
- D. SRD-92B Zoom Demand
- E. FSM-30B Focus Servo Module
- F. MCA-7 Mounting Clamp
- G. FSD-11 Focus Demand
- H. CZH-14 Zoom Handle
- I. CFH-3 Focus Handle

\*FMM-8 for use with S16x7.3

\*Specify camera type.

For Sales Contact Information go to  
**www.Fujinon.com**