



## COLOUR 5 PROFILE™

SKU# CLP001

The new Colour 5 Profile™ Ellipsoidal features a 180W RGBAM (Red, Green, Blue, Amber, Mint) LED engine, >94CRI, 4,100 total lumens (with 26° lens), with 19°, 26°, 36°, and 50° interchangeable lens options (sold separately), (4) blade manual framing shutters, supports B size metal or HT transparency gobos, manual focus, DMX controlled electronic strobe, dimming, and dimming curves, flicker free operation for TV and FILM, 5pin DMX and powerCON in/out connections, (4) button LCD control display panel, an integrated rigging yoke, and a multi-voltage universal auto switching power supply (100-240v).



### FEATURES

**180W RGBAM (Red/Green/Blue/Amber/Mint) LED Engine**

**>94CRI 4,100 Total Lumens\***

**Interchangeable Lens Options\*\* 19°, 26°, 36°, 50°**

**(4) Blade Manual Framing Shutters**

**Supports B Size Metal or HT Transparency Gobos\*\*\***

**Electronic Strobe and Variable Dimming Curves**

**Flicker Free Operation for TV and FILM**

(\*with 26° lens) (\*\*sold separately)(\*\*\*gobos and holder not included)



ELATION | COLOUR 5 PROFILE™ | Product Specification Sheet

Specifications are subject to change without notice ©Elation Professional 6.3.15

Elation Professional USA | 6122 S. Eastern Ave. | Los Angeles, CA. 90040  
323-582-3322 | 323-832-9142 fax | www.elationlighting.com | info@elationlighting.com

Elation Professional B.V. | Junostraat 2 | 6468 EW Kerkrade, Netherlands  
+31 45 546 85 66 | +31 45 546 85 96 fax | www.elationlighting.eu | info@elationlighting.eu

**PRODUCT SPECIFICATIONS**

**FEATURES**

High CRI >94 4,100 Total Lumens\*  
 Interchangeable Lens Options\*\* (19°, 26°, 36°, 50°)  
 (4) Blade Manual Framing Shutters  
 Variable Dimming Curve Modes  
 Flicker Free Operation for TV and FILM  
 (\*with 26° lens) (\*\*sold separately)

**SOURCE**

180W RGBAM (Red/Green/Blue/Amber/Mint) LED Engine  
 50,000 Hour Average LED Life

**PHOTOMETRIC DATA**

>94CRI 4,100 Total Lumens\*  
 (\*with 26° lens)

**EFFECTS**

Electronic Strobe and Dimming  
 Variable Dimming Curve Modes

**GOBOS**

Supports "B" Size Metal, HT Transparency Gobos\*  
 \*Gobos and Holder not included.

**CONTROL / CONNECTIONS**

Multiple DMX Channel Modes  
 4 Button Control Panel / LED Menu Display  
 5pin DMX In/Out / powerCON In/Out

**SIZE / WEIGHT**

Length: 24.3" (618mm) / 26.5" (674mm) Fully Extended  
 Width: 12.2" (310mm)  
 Vertical Height: 15.7" (398mm)  
 Weight: 21.0 lbs. (9.5 kg)

**ELECTRICAL / THERMAL**

AC 100-240V - 50/60Hz  
 225W Max Power Consumption  
 14° to 113°F (-10° to 45°C)

**APPROVALS / RATINGS**

CE | cETLus | IP20

**INSTALLATION**

Rigging: Intergrated Yoke  
 Working Position: Any (360°)

**INCLUDED ITEMS**

(1) powerCON Cable, (1) 5PIN DMX Cable  
 (1) Safety Cable

**LENS Options (sold separately)**

**19°, 26°, 36°, 50°**



**PHOTOMETRIC DATA**

**19° LENS**

	m	ft	m	ft	m	ft	m	ft	m	ft	m	ft
Diameter	2.5	8.2	5	16.4	7.5	24.6	10	32.8	15	49.2	20	65.6
	lux	fc	lux	fc	lux	fc	lux	fc	lux	fc	lux	fc
RED	550	51	132	12	60	6	32	3	16	1	9	1
GREEN	1,420	132	335	31	148	14	82	8	41	4	24	2
BLUE	420	39	99	9	46	4	26	2	12	1	7	1
AMBER	418	39	98	9	43	4	24	2	12	1	7	1
MINT	8,028	746	1,900	177	830	77	470	44	220	20	135	13
FULL	10,270	954	2,450	228	1,110	103	620	58	301	28	180	17

**26° LENS**

	m	ft	m	ft	m	ft	m	ft	m	ft	m	ft
Diameter	2.5	8.2	5	16.4	7.5	24.6	10	32.8	15	49.2	20	65.6
	lux	fc	lux	fc	lux	fc	lux	fc	lux	fc	lux	fc
RED	270	25	70	7	35	3	20	2	10	1	7	1
GREEN	627	58	167	16	80	7	47	4	23	2	14	1
BLUE	205	19	52	5	26	2	14	1	7	1	5	0
AMBER	202	19	52	5	24	2	14	1	7	1	5	0
MINT	3,430	319	925	86	428	40	254	24	125	12	75	7
FULL	4,566	424	1,218	113	561	52	337	31	170	16	99	9

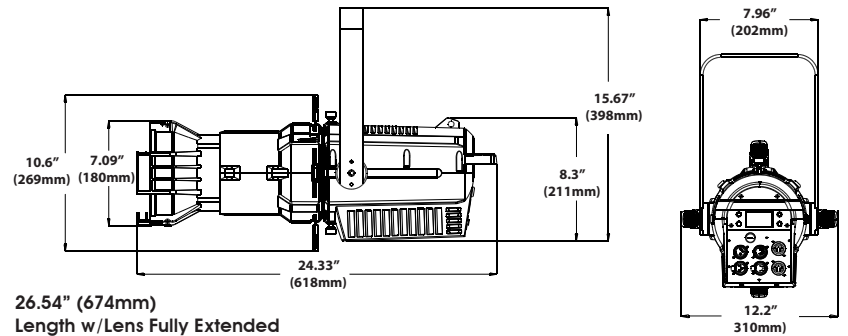
**36° LENS**

	m	ft	m	ft	m	ft	m	ft	m	ft	m	ft
Diameter	2.5	8.2	5	16.4	7.5	24.6	10	32.8	15	49.2	20	65.6
	lux	fc	lux	fc	lux	fc	lux	fc	lux	fc	lux	fc
RED	190	18	50	5	30	3	20	2	20	2	5	0
GREEN	380	35	102	9	50	5	33	3	22	2	11	1
BLUE	120	11	38	4	18	2	12	1	11	1	3	0
AMBER	122	11	40	4	20	2	13	1	12	1	4	0
MINT	2,500	232	583	54	280	26	165	15	0	0	78	7
FULL	3,001	279	846	79	390	36	250	23	190	18	90	8

**50° LENS**

	m	ft	m	ft	m	ft	m	ft	m	ft	m	ft
Diameter	2.5	8.2	5	16.4	7.5	24.6	10	32.8	15	49.2	20	65.6
	lux	fc	lux	fc	lux	fc	lux	fc	lux	fc	lux	fc
RED	105	10	30	3	10	1	5	0	4	0	3	0
GREEN	193	18	54	5	26	2	17	2	8	1	5	0
BLUE	55	5	15	1	7	1	5	0	3	0	2	0
AMBER	81	8	23	2	12	1	9	1	4	0	3	0
MINT	1,060	98	294	27	135	13	89	8	43	4	25	2
FULL	1,448	135	402	37	189	18	125	12	62	6	36	3

**DIMENSIONAL DIAGRAM**



**OPTIONAL ACCESSORIES**

ORDER CODE	ITEM
TRIGGER CLAMP	Heavy Duty Wrap Around Hook Style Clamp
PHD019	Profile High Definition Lens 19°
PHD126	Profile High Definition Lens 26°
PHD236	Profile High Definition Lens 36°
PHD350	Profile High Definition Lens 50°
PLC3	3 ft. (1m) powerCON PRO Link Cable
AC5PDMX5PRO	5 ft. (1.5m) 5pin PRO DMX Cable
	Additional Cable Lengths Available



Specifications are subject to change without notice ©Elation Professional 6.3.15