

DIGITAL D.A. 2X8™

DIGITAL AUDIO DISTRIBUTION SYSTEM

Product Description

The Digital D.A. 2X8 is a dual-mode distribution system for AES/EBU digital audio signals. It is ideally suited wherever digital audio signals must be routed to multiple destinations. The Digital D.A. 2X8 produces outputs that are exact copies of the input signal(s). There are no changes to any data or timing, and no jitter, delay, or latency is added. The unit is compatible with any sample rate up to 96 kHz.

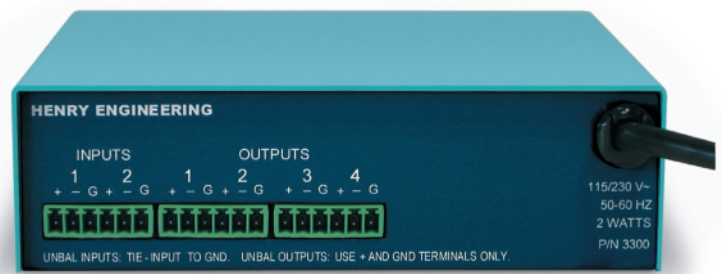
The Digital D.A. 2X8 has two inputs and eight outputs. There are two operating modes, selected by a front panel pushbutton. In Single mode, unit operates as a 1-in, 8-out D.A.: a single input signal is reproduced on all 8 outputs. In Dual mode, it operates as two independent 1-in, 4-out D.A.s: each of the 2 input signals produces 4 outputs. There is no interaction between the two channels.

The presence of output signals is confirmed via a front panel LED for each output group. All inputs and outputs are individually transformer isolated. Input termination is user selectable. Input signals are conditioned to correct for low levels and high frequency rolloff caused by long cable runs. The output signals conform to AES/EBU standards.

The Digital D.A. 2X8 uses euroblock connectors for all I/O. Mating connectors are supplied. The unit is powered with an internal AC power supply. The Digital D.A. 2X8 is 1/3 rack-width and can be rack mounted using the optional rack shelf, or wall mounted with optional wall/cabinet mounting brackets.



Front

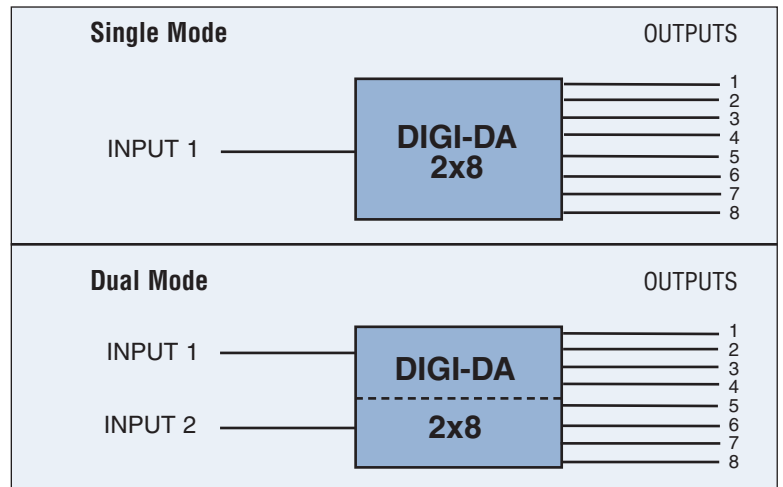


Back

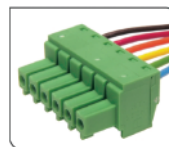
Technical Specifications

Inputs	2, transformer balanced, for AES/EBU digital audio
Outputs	8, transformer balanced, for AES/EBU digital audio
Sample rate	Any, up to 96 kHz
Modes	Single (1X8) or Dual (2X4)
Controls	Mode Select (Single/Dual)
Power	115/230 VAC, 50-60 Hz, 4W
Construction	Steel enclosure
Physical	5.7" w x 1.7" h x 6.0" d 3 lbs
Mounting	Table top, optional rack mount shelf, optional wall/cabinet mounting brackets
Approval	City of Los Angeles Elect. Test Lab

Typical Applications



Rack Mountable



Plug-in-Installation



No Wall-Warts!

Technical specifications subject to change without notification.

500 Key Vista Drive
Sierra Madre, CA 91024

TEL 626.355.3656
FAX 626.355.0077

www.henryeng.com

