



The MP-500NPT-GSA Gimbal Strut Adapter adapts a standard off-the-shelf ½-14 NPT and NPS pipe to Unistrut channels. The MP-500NPT-GSA can also be installed to 6"-10" Laminated Wood Beams using the BC-GSA-100 Mounting plate (sold separately).

Note to installers

Due to the wide variety of wall structures, materials and mounting methods, these instructions assume that the installing contractor will exercise proper judgment in selecting the mounting area and hardware.

As a guide, the installation, when complete should be capable of supporting 5 to 10 times the actual applied load. Also, always use a backup safety system such as a safety cable.

To assure a trouble-free installation, read and follow these instructions carefully before beginning. If you have doubts about the integrity of the structure you are mounting to or you are not sure about the proper hardware to use, consult a structural and/or hardware specialist.

Be sure that all of the following items are included in this kit before proceeding:

1 pc	Gimbal Strut Adapter	2 pcs	3/8" Flat Washer
2 pcs	Hex bolt, 3/8-16x3.5" lg	1 pc	Instruction Sheet
2 pcs	Nyloc Nut 3/8-16	2 pcs	Flange bolt, ½-13x2"
4 pcs	Flat washer, ½ USS	2 pcs	Retainer nut, 1/2-13
2 pcs	Hex Bolt, ½-13x3.5" lg	1 pc	Nyloc nut, ½-13

NOTE: Screws, bolts, and washers to attach gimbal tube adapter to the structure are not included

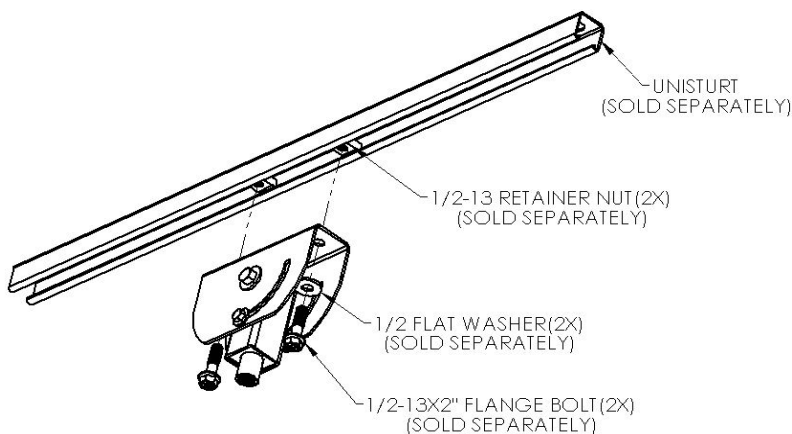


Figure 1

Step 1:

Attach the gimbal tube adapter to the strut channel using the provided 1/2-13 x 1.5" long flange bolt, 1/2-13 retainer nut, 1/2 flat washer (2X). Make sure that the retainer nut's groove lands into the strut channels flanges (Figure 1). Position gimbal strut adapter to selected location then tighten bolts permanently.

Step 2:

Loosen the bolts on the gimbal strut adapter so the pivot bracket can rotate easily.

Step 3:

Loosen the Set screw on the coupling. Attach ½" NPT or NPS pipe to the gimbal adapter coupling. At least 1/2" length of the pipe's threads should go inside the coupling. Lock pipe by tightening the set screw (Figure 3).

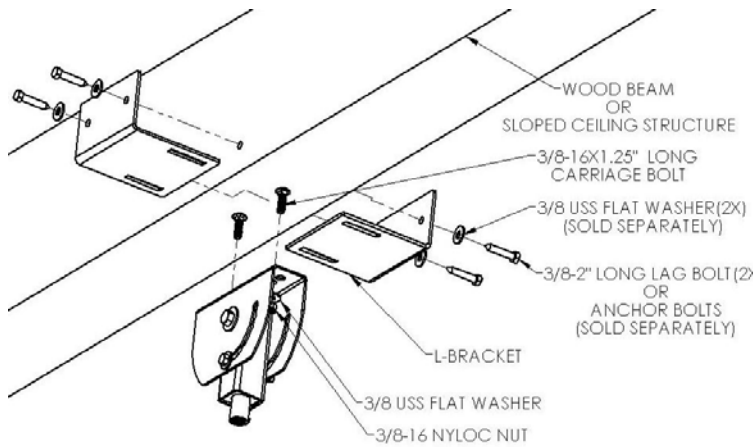


Figure 2

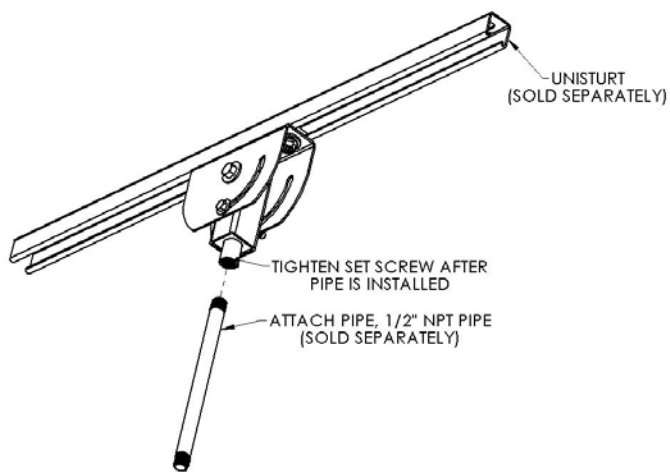


Figure 3

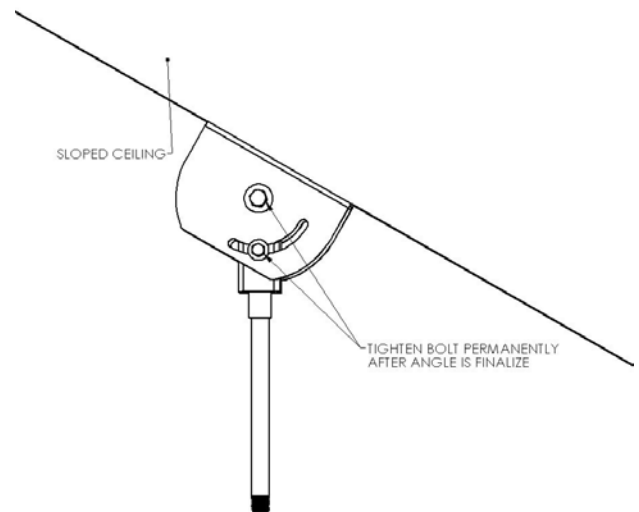


Figure 4

Step 4:

Loosen bolts on the MP-500NPT-GSA just enough for the pivot to rotate. Set the angle of the pivot and pipe assembly then tighten bolts permanently (Figure 3).

Step 5: Recommendation- Install Safety Cable

Attach bracket to the 1/2" npt pipe. Refer to Speaker brackets installation guide.

Step 6: Recommendation- Install Safety Cable

Install safety cable to the structure and then attach the other end of the safety cables to the speakers to bypass the mounting system. Attachment to structure must be able to support 5 times the weight of the speaker and speaker mounts.

