

FP-AC-2212-3X1

(400 lb. WLL)

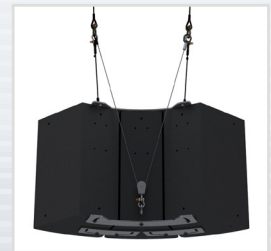
CLUSTER PACK PLANAR ARRAY KIT

FASPAC™



Clustering and flying AC series loudspeakers is easy, safe and very predictable. This planar array suspension kit joins three AC-2212 cabinets together to be flown as one, tight-packed for near field placement or played out for further distances from the audience.

Four front joiner plates and two rear joiner plates come in the kit. Load rated eyebolts provide the actual suspension by anchoring into the cabinet's threaded attach points. High strength bolts are provided to secure the joiner plates.

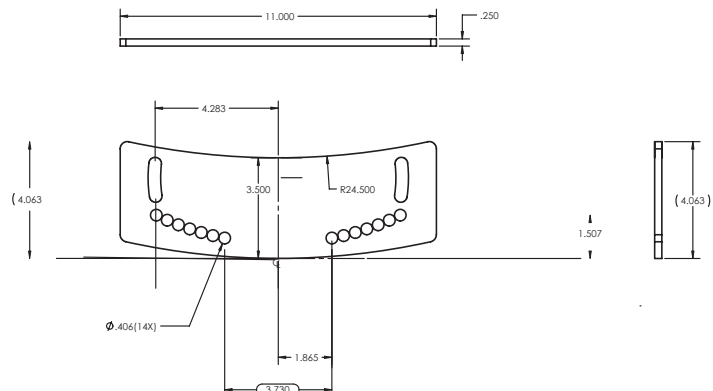


SPECIFICATIONS:

Material: Structural Steel
Finish: Powder coat
Colors: Black
Design Factor: 5:1 ratio
Working Load Limit: 400 lb./ 182Kg.
Shipping Weight: 15 lb / 6.8 Kg

PACKAGE CONTENTS:

4pcs Front Joiner Plate
2pcs Rear Joiner Plates
2pcs Eyebolt, M10X35mm
2pcs Eyebolt, M10X50mm
1pc Hardware Kit



Rated for indoor use.

ALWAYS INSTALL SAFETY CABLES

WARNING: Mounting and/or suspension of audio and video equipment requires experienced professionals. Improperly installed loudspeakers can result in property damage, personal injury and/or liability to the installing contractor.