



## TVL PANEL DW™

SKU# **TVL481**

The new TVL PANEL DW™ is a soft light luminaire featuring 480 cool white and 480 warm white LEDs, a 115° beam angle, 8-leaf adjustable / removable barn doors, linear white color temperature range (3,200K - 5,800K), smooth 16bit dimming curve mode effects, adjustable LED refresh frequency and gamma brightness for flicker free operation for TV and FILM, 5pin DMX, RJ45 etherCON (Art-NET), and powerCON TRUE 1 connections, (4) button menu control panel, separate dimmer and color temperature rotary dials for manual control, 180° reversible LCD menu display, and a multi-voltage universal auto switching power supply (100-240v). Optional SNAPGRID light control grid available.

### FEATURES

**Dynamic White 115° Beam TVL Panel Soft Light**

**480 Cool White + 480 Warm White LEDs**

**3,200K - 5,800K Linear White Color Temp Range**

**Smooth 16bit Dimming Curve Modes**

**Dimmer and Color Temperature Rotary Control Dials**

**8-Leaf Adjustable / Removable Barn Doors Included**

**Adjustable LED Refresh Rate and Gamma Brightness**

**Flicker Free Operation for TV and FILM**

**Optional SNAPGRID Light Control Grid Available**



ELATION | TVL PANEL DW™ | Product Specification Sheet

Specifications are subject to change without notice ©Elation Professional 01/08/18

Elation Professional USA | 6122 S. Eastern Ave. | Los Angeles, CA. 90040  
323-582-3322 | 323-832-9142 fax | www.elationlighting.com | info@elationlighting.com

Elation Professional B.V. | Junostraat 2 | 6468 EW Kerkrade, The Netherlands  
+31 45 546 85 66 | +31 45 546 85 96 fax | www.elationlighting.eu | info@elationlighting.eu

**PRODUCT SPECIFICATIONS**

**SOURCE**

480 Cool White 480 Warm White LEDs  
20,000 Hour Average LED Life\*

\*May vary depending on several factors including but not limited to: Environmental Conditions, Power/Voltage, Usage Patterns (On-Off Cycling), Control and Dimming.

**PHOTOMETRIC DATA**

>95CRI | 13,000 Total Lumens  
1,117 lux 104 fcd @6.6 ft (2m) Full ON 4,200K >95CRI  
1,105 lux 103 fcd @6.6 ft (2m) CW 5,800K >95CRI  
1,076 lux 100 fcd @6.6 ft (2m) WW 3,200K >97CRI

**COLOR**

Cool White / Warm White

**EFFECTS**

3,200K - 5,800K Linear Variable Color Temperature  
Electronic Strobe and Variable Dimming Curve Modes

**CONTROL / CONNECTIONS**

6 DMX Channel Modes (7 total channels)  
4 Button Control Panel  
2 Rotary Control Dials (Dimmer and Color Temperature)  
Adjustable Refresh Rate (900-25,000 Hz)  
Adjustable Gamma Brightness (2.0-2.8)  
180° Reversible LCD Menu Display  
5pin DMX In/Out  
RJ45 etherCON In (Art-NET)  
powerCON TRUE 1 Power In

**SIZE / WEIGHT (w/barn doors attached)**

Length: 34.3" (871.8mm)  
Width: 12.7" (321.4mm)  
Vertical Height: 27.2" (691.2mm)  
Weight: 28.0 lbs. (12.7 kg)

**ELECTRICAL / THERMAL**

AC 100-240V - 50/60Hz  
199W Max Power Consumption  
5F to 113°F (-15°C to 45°C)

**APPROVALS / RATINGS**



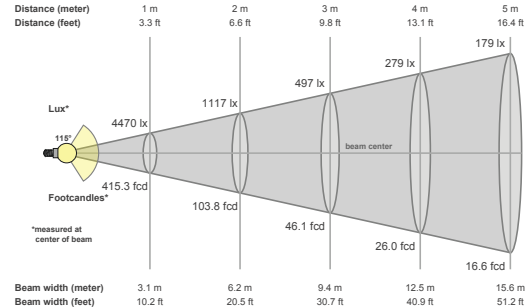
OPTIONAL SNAPGRID 40°

**OPTIONAL ACCESSORIES**

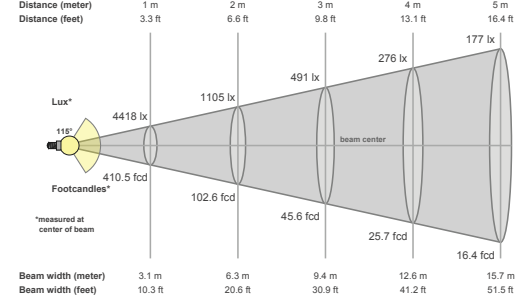
| ORDER CODE   | ITEM                               |
|--------------|------------------------------------|
| TVL495       | SNAPGRID 40° Light Grid            |
| NARROW CLAMP | PRO 2" Wrap Around Clamp           |
| AC5PDMX5PRO  | 5 ft. (1.5m) 5pin PRO DMX Cable    |
| CAT6PRO5     | 5' (1.5m) CAT6 EtherCON Cable      |
|              | Additional cable lengths available |

**PHOTOMETRIC DATA**

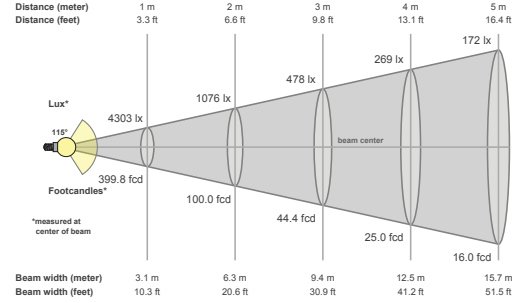
**FULL ON (CW/WW) 4,200K >95CRI**



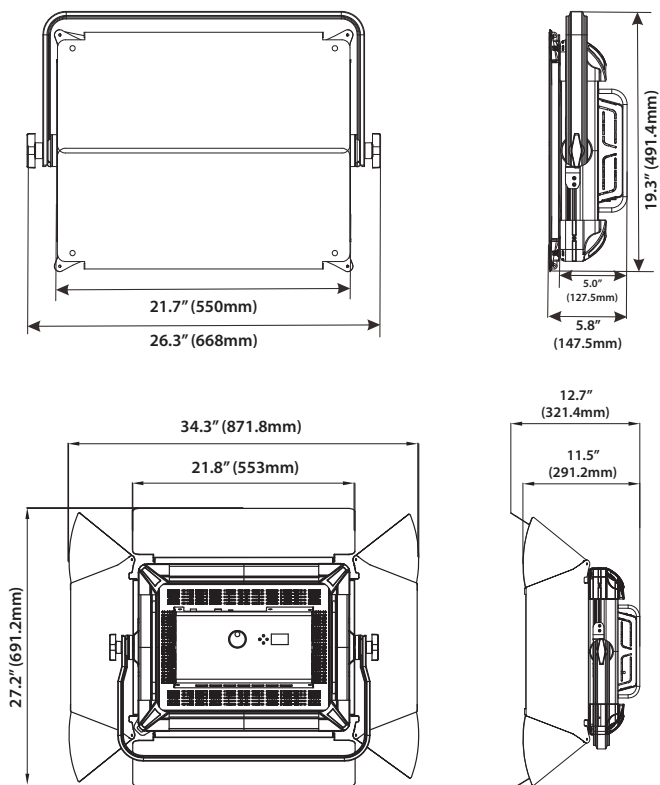
**FULL ON (CW) 5,800K >95CRI**



**FULL ON (WW) 3,200K >97CRI**



**DIMENSIONAL DIAGRAMS**



Specifications are subject to change without notice ©Elation Professional 01/08/18

Elation Professional USA | 6122 S. Eastern Ave. | Los Angeles, CA. 90040  
323-582-3322 | 323-832-9142 fax | www.elationlighting.com | info@elationlighting.com

Elation Professional B.V. | Junostraat 2 | 6468 EW Kerkrade, The Netherlands  
+31 45 546 85 66 | +31 45 546 85 96 fax | www.elationlighting.eu | info@elationlighting.eu