



eNODE2 POE™

user manual

©2019 **ELATION PROFESSIONAL** all rights reserved. Information, specifications, diagrams, images, and instructions herein are subject to change without notice. ELATION PROFESSIONAL logo and identifying product names and numbers herein are trademarks of ELATION PROFESSIONAL. Copyright protection claimed includes all forms and matters of copyrightable materials and information now allowed by statutory or judicial law or hereinafter granted. Product names used in this document may be trademarks or registered trademarks of their respective companies and are hereby acknowledged. All non-ELATION brands and product names are trademarks or registered trademarks of their respective companies.

ELATION PROFESSIONAL and all affiliated companies hereby disclaim any and all liabilities for property, equipment, building, and electrical damages, injuries to any persons, and direct or indirect economic loss associated with the use or reliance of any information contained within this document, and/or as a result of the improper, unsafe, insufficient and negligent assembly, installation, rigging, and operation of this product.

Elation Professional USA | 6122 S. Eastern Ave. | Los Angeles, CA. 90040
323-582-3322 | 323-832-9142 fax

Elation Professional B.V. | Junostraat 2 | 6468 EW Kerkrade, The Netherlands
+31 45 546 85 66 | +31 45 546 85 96 fax

Elation Professional Mexico | AV Santa Ana 30 | Parque Industrial Lerma, Lerma, Mexico 52000
+52 (728) 282-7070

DOCUMENT VERSION



Due to additional product features and/or enhancements, an updated version of this document may be available online. Please scan the QR Code with your mobile device for the latest revision/update of this manual, before installation and/or programming.

Date	Document Version	Software Version ≥	Notes
02/14/18	1	V1.1	Initial release.
12/11/18	1.2	N/C	Updated release.
03/14/19	1.4	V1.3	Added assignable MAC Address menu.

CONTENTS

General Information	4
Limited Warranty (USA Only)	5
Safety Guidelines	6
Power Over Ethernet (POE) Explained	7
Device Overview	8
Installation Guidelines	9
System Menu	10
Setting DMX Ports	13
Specifications	14
Optional Accessories	15

GENERAL INFORMATION

INTRODUCTION

Please read and understand the instructions in this manual carefully and thoroughly before attempting to operate this device. These instructions contain important safety and use information.

UNPACKING

Every device has been thoroughly tested and has been shipped in perfect operating condition. Carefully check the shipping carton for damage that may have occurred during shipping. If the carton is damaged, carefully inspect the device for damage, and be sure all accessories necessary to install and operate the device have arrived intact. In the event damage has been found or parts are missing, please contact our customer support team for further instructions. Please do not return this device to your dealer without first contacting customer support. Please do not discard the shipping carton in the trash. Please recycle whenever possible.

BOX CONTENTS

Mini Omega Bracket (for truss/clamp mounting)

CUSTOMER SUPPORT

Contact ELATION Service for any product related service and support needs.

ELATION SERVICE USA - Monday - Friday 8:00am to 4:30pm PST
323-582-3322 | Fax 323-832-9142 | support@elationlighting.com

ELATION SERVICE EUROPE - Monday - Friday 08:30 to 17:00 CET
+31 45 546 85 63 | Fax +31 45 546 85 96 | support@elationlighting.eu



IMPORTANT NOTICE!

THERE ARE NO USER SERVICEABLE PARTS INSIDE THIS UNIT. DO NOT ATTEMPT ANY REPAIRS YOURSELF; DOING SO WILL VOID YOUR MANUFACTURES WARRANTY. DAMAGES RESULTING FROM MODIFICATIONS TO THIS FIXTURE AND/OR THE DISREGARD OF SAFETY INSTRUCTIONS AND GUIDELINES IN THIS MANUAL VOID THE MANUFACTURES WARRANTY AND ARE NOT SUBJECT TO ANY WARRANTY CLAIMS AND/OR REPAIRS.

LIMITED WARRANTY (USA ONLY)

A. Elation Professional hereby warrants, to the original purchaser, Elation Professional products to be free of manufacturing defects in material and workmanship for a period of two years (730 days), and Elation Professional product rechargeable batteries to be free of manufacturing defects in material and workmanship for a period of six months (180 days), from the original date of purchase. This warranty excludes discharge lamps and all product accessories. This warranty shall be valid only if the product is purchased within the United States of America, including possessions and territories. It is the owner's responsibility to establish the date and place of purchase by acceptable evidence, at the time service is sought. B. For warranty service, send the product only to the Elation Professional factory. All shipping charges must be pre-paid. If the requested repairs or service (including parts replacement) are within the terms of this warranty, Elation Professional will pay return shipping charges only to a designated point within the United States. If any product is sent, it must be shipped in its original package and packaging material. No accessories should be shipped with the product. If any accessories are shipped with the product, Elation Professional shall have no liability what so ever for loss and/or or damage to any such accessories, nor for the safe return thereof. C. This warranty is void if the product serial number and/or labels are altered or removed; if the product is modified in any manner which Elation Professional concludes, after inspection, affects the reliability of the product; if the product has been repaired or serviced by anyone other than the Elation Professional factory unless prior written authorization was issued to purchaser by Elation Professional; if the product is damaged because not properly maintained as set forth in the product instructions, guidelines and/or user manual. D. This is not a service contract, and this warranty does not include any maintenance, cleaning or periodic check-up. During the periods as specified above, Elation Professional will replace defective parts at its expense, and will absorb all expenses for warranty service and repair labor by reason of defects in material or workmanship. The sole responsibility of Elation Professional under this warranty shall be limited to the repair of the product, or replacement thereof, including parts, at the sole discretion of Elation Professional. All products covered by this warranty were manufactured after January 1, 1990, and bare identifying marks to that effect. E. Elation Professional reserves the right to make changes in design and/or performance improvements upon its products without any obligation to include these changes in any products theretofore manufactured. F. No warranty, whether expressed or implied, is given or made with respect to any accessory supplied with the products described above. Except to the extent prohibited by applicable law, all implied warranties made by Elation Professional in connection with this product, including warranties of merchantability or fitness, are limited in duration to the warranty periods set forth above. And no warranties, whether expressed or implied, including warranties of merchantability or fitness, shall apply to this product after said periods have expired. The consumer's and/or dealer's sole remedy shall be such repair or replacement as is expressly provided above; and under no circumstances shall Elation Professional be liable for any loss and/or damage, direct and/or consequential, arising out of the use of, and/or the inability to use, this product. G. This warranty is the only written warranty applicable to Elation Professional products and supersedes all prior warranties and written descriptions of warranty terms and conditions heretofore published.

WARRANTY RETURNS

All returned service items whether under warranty or not, must be freight pre-paid and accompany a return authorization (R.A.) number. The R.A. number must be clearly written on the outside of the return package. A brief description of the problem as well as the R.A. number must also be written down on a piece of paper and included in the shipping container. If the unit is under warranty, you must provide a copy of your proof of purchase invoice. Items returned without a R.A. number clearly marked on the outside of the package will be refused and returned at customer's expense. You may obtain a R.A. number by contacting customer support. **ONLY** Use the original packaging and materials to transport the fixture in for service.

SAFETY GUIDELINES

To guarantee a smooth operation, it is important to follow all instructions and guidelines in this manual. Elation Professional is not responsible for injury and/or damages resulting from the misuse of this device due to the disregard of the information printed in this manual. Only qualified and/or certified personnel should perform installation of this device and only the original rigging parts included with this device should be used for installation. Any modifications to the fixture and/or the included mounting hardware will void the original manufactures warranty and increase the risk of damage and/or personal injury.



THERE ARE NO USER SERVICEABLE PARTS INSIDE THIS UNIT. DO NOT ATTEMPT ANY REPAIRS YOURSELF; DOING SO WILL VOID YOUR MANUFACTURES WARRANTY. DAMAGES RESULTING FROM MODIFICATIONS TO THIS DEVICE AND/OR THE DISREGARD OF SAFETY INSTRUCTIONS AND GUIDELINES IN THIS MANUAL VOID THE MANUFACTURES WARRANTY AND ARE NOT SUBJECT TO ANY WARRANTY CLAIMS AND/OR REPAIRS.



**DO NOT PLUG DEVICE INTO A DIMMER PACK!
NEVER OPEN THIS DEVICE WHILE IN USE!
DO NOT EXPOSE DEVICE TO HEAT OR FIRE!
DO NOT EXPOSE DEVICE TO HIGH HUMIDITY!
AMBIENT TEMPERATURES: MAX 45°C/113°F | MIN 2°C/35°F
UNPLUG POWER BEFORE SERVICING DEVICE!
DO NOT EXPOSE DEVICE TO FLAMMABLE MATERIALS!
DO NOT EXPOSE DEVICE TO EXTREME VIBRATIONS!
KEEP FLAMMABLE MATERIALS AWAY FROM FIXTURE!**



**INDOOR / DRY LOCATIONS USE ONLY!
DO NOT EXPOSE DEVICE TO RAIN AND MOISTURE!**

DO NOT shake device, avoid brute force when installing and/or operating.

DO NOT operate device if the power cord has become frayed, crimped, damaged and/or if any of the power cord connectors are damaged and do not insert into the device securely with ease. **NEVER** force a power cord connector into the device. If the power cord or any of its connectors are damaged, replace it immediately with a new one of similar power rating.

DO NOT block any air ventilation slots. All fan and air inlets must remain clean and never blocked. Always disconnect device from main power source before performing any type of service and/or cleaning procedure. Only handle the power cord by the plug end, never pull out the plug by tugging the wire portion of the cord.

Use the original packaging and materials to transport the device in for service.

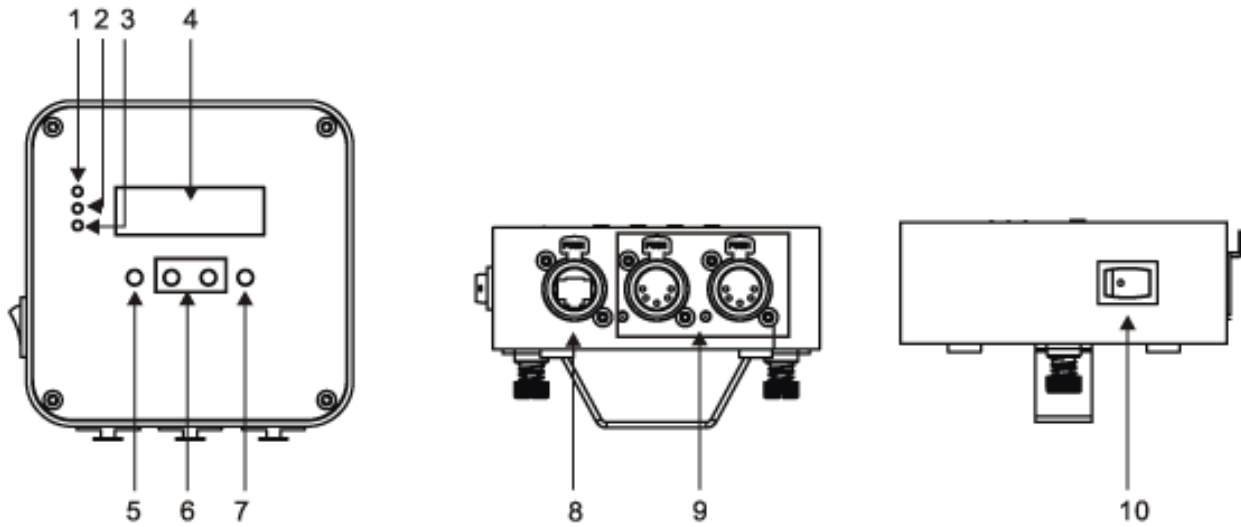
POWER OVER ETHERNET (POE) EXPLAINED

Power over Ethernet (POE) is a technology that lets network cables carry electrical power. Since electrical currents flow in a loop, two conductors are required to deliver power over a cable. POE treats each pair as a single conductor, and can use either the two data pairs or the two spare pairs to carry electrical current.

Network cables, such as Cat 5e and Cat 6, comprise eight wires arranged as four twisted pairs. In 10 and 100BASE-T Ethernet, two of these pairs are used for sending information, and these are known as the data pairs. The other two pairs are unused and are referred to as the spare pairs (Gigabit Ethernet uses all four pairs).



POE is injected onto the cable at a voltage between **44** and **57 volts** DC, and typically **48 volts** is used. This relatively high voltage allows efficient power transfer along the cable, while still being low enough to be regarded as safe.

DEVICE OVERVIEW



1. **Power LED Indicator**
2. **Network Link LED Indicator**
3. **Network Activity LED Indicator**
4. **OLED Control Display**
5. **MENU Button**
6. **UP/DOWN Buttons**
7. **ENTER Button**
8. **RJ45 Ethernet Input**
9. **5pin DMX1 and DMX2 Connections**
10. **Power Switch (On/Off)**

INSTALLATION GUIDELINES

	FLAMMABLE MATERIAL WARNING Keep device at least 5.0 feet (1.5m) away from any flammable materials, decorations, pyrotechnics, etc.
	ELECTRICAL CONNECTIONS A qualified electrician should be used for all electrical connections and/or installations.

**DO NOT INSTALL THE DEVICE IF YOU ARE NOT QUALIFIED TO DO SO!
DO NOT CONNECT DEVICE TO A CIRCULAR NETWORK! DOING SO WILL
ADVERSELY IMPACT THE PERFORMANCE OF THE ENTIRE NETWORK SYSTEM!**

Device MUST be installed following all local, national, and country commercial electrical and construction codes and regulations.

Ambient operating temperature range for this device is **35° to 113°F. (2° to 45°C)**

DO NOT use the device under or above this temperature range.

DO NOT install the device in areas where unauthorized personnel might reach the device.

Device can be placed on the flat surface or attached to truss using included mini omega bracket and a properly rated clamp. (Clamp not included) (See below)

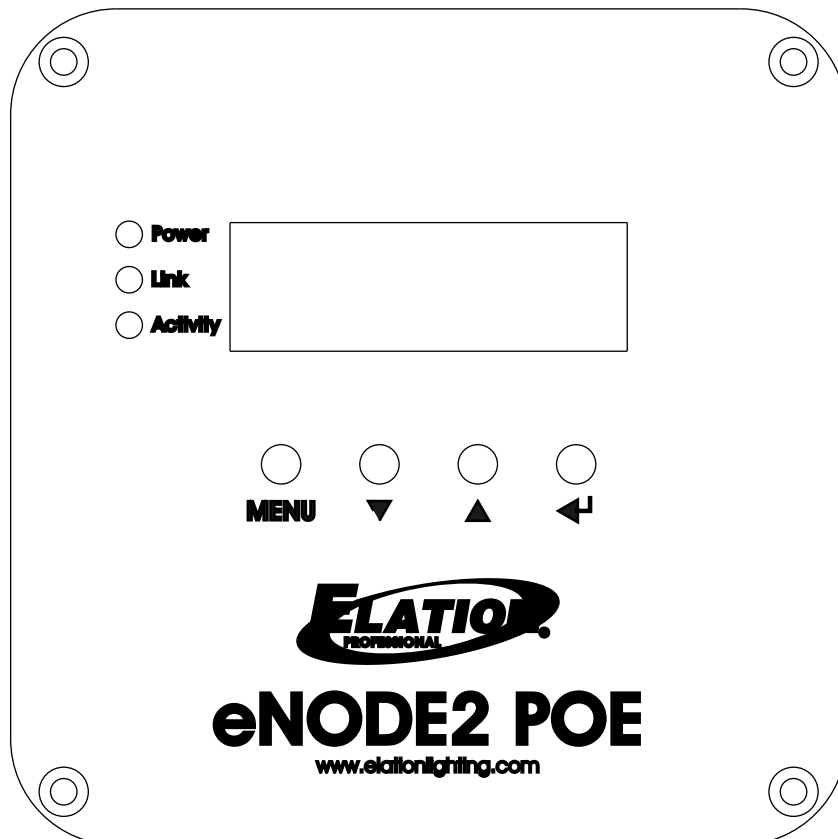
INSTALLATION LOCATION ON TRUSS MUST BE CLEAR OF ANY MOVING HEAD FIXTURES!

**Attach To Truss With
Mini Omega Bracket
and Clamp**



SYSTEM MENU

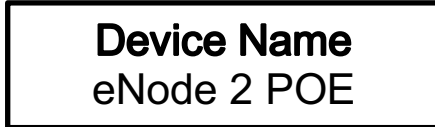
The OLED control panel display located on the front of the device provides access to the main system menu where all necessary system adjustments are made to the device. During normal operation, pressing **MENU** button once will access the main menu. Once in the main menu you can navigate through the different functions and access the sub-menus with the **UP** and **DOWN** buttons. Once you reach a field that requires adjusting, press the **ENTER** button to activate that field and use the **UP** and **DOWN** buttons to adjust the field. Pressing the **ENTER** button once more will confirm your setting. You may exit the main menu at any time without making any adjustments by pressing the **MENU** button. The OLED display will revert back to the last startup view after a few seconds of no activity.



STARTUP VIEWS

There are 5 different status screens (see images below) visible when device is connected to a powered POE source. Select/switch screens by pressing the **UP** or **DOWN** buttons.

1. **Device Name** - This displays the current name (16 characters max).

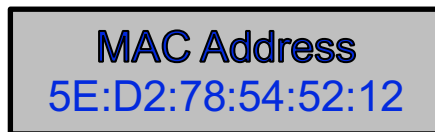


SYSTEM MENU UPDATE WITH SOFTWARE UPDATE VERSION ≥ 1.3

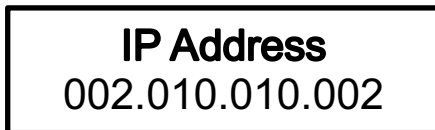
The menu item below has been added with this software update.

2. **MAC Address** - This displays the current MAC Address.

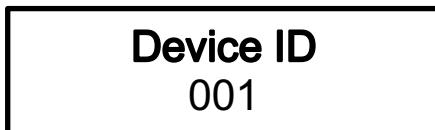
Press and hold the **ENTER** button to access the MAC Address menu to make changes.



3. **IP Address** - This displays the current IP Address.



4. **Device ID** - This displays the current Device ID.



5. **Port Status** - This displays the status of each port 1 and 2.

Port Status							
1				2			
0	X	H	001	0	X	H	001

O = DMX Output

I = DMX Input

✓ = Network Active

× = Network Inactive

H = Hold

B = Blackout

- = Not Allowed

ELATION eNode2 POE SYSTEM MENU

Features subject to change without written notice.

Supports Software Version: ≥ V1.1

MAIN MENU	SUB MENU	OPTIONS / VALUES (Default Settings in BOLD)	DESCRIPTION	
1.Rename Device	Rename	eNODE 2 POE	Select 1-16 Characters to Rename Device	
2.Set IP Address	IP Address	002.010.010.002	Set Device IP Address Each IP Address MUST be unique	
3.Set Netmask	Netmask	A. 255.000.000.000	Select Netmask Address	
		B. 255.255.000.000		
		C. 255.255.255.000		
4.Set DMX Port	DMX Port 1.DMX Port1 2.DMX Port2	1.Port Status	Output , Input, Disabled	Select DMX Port Status
		2.Port Mode	Single , HTP, LTP, Backup, RDM , zero	Select DMX Port Mode RDM not supported in current software version
		3.Framertf/fs	040 , 010, 015, 020, 025, 030, 035	Select DMX Frame Rate Only available for PORT STATUS = OUTPUT
		4.Net	001 - 128	Set Sub Net
		5.Principal	001 -256	Set Principal Universe
		6.Secondary	009 , 001-256	Set Secondary Universe
		7.Resend	Disabled , 001-256	Enable Resending of data
		8.DMX State	Hold , Null, Blackout	Set How Connected Devices React to a Loss of DMX Signal
		9.Display Mode	Dec/256 , Hex/F.F	Select Binary or Hex Display Mode
5.Set ID NO.	Device ID	001 , 000-255	Select Device ID	
6.Set LED Backlight	LED Backlight	1.ON	Backlight Stays ON Always	
		2.OFF	Backlight Auto Turns OFF After 30 Seconds	
7.Set LED Brightness	LED Brightness	004 , 000-010	Set Display Brightness	
8.Factory Setting	Factory Setting	1.NO	Return All Settings to Default	
		2.YES	ALL SETTINGS RESET TO DEFAULT!	
9.Version	Version	V1.x	Displays Software Version	

SETTING DMX PORTS

PORT STATUS

INPUT - Any of the (2) ports can be set as INPUT. When a port is set as INPUT, only the principle universe is available and the PORT MODE can set to NORMAL or BACKUP.

OUTPUT - Any of the (2) ports can be set as OUTPUT. The PORT MODE can be set to

DISABLED - Disables selected Port and will not send or receive any data.

▶All Port Mode options can be selected for a Disabled Port, however none will function.

PORT MODES

NORMAL [ONLY available when Port Status = INPUT]

Selected DMX Port will send any valid DMX data to the network (and internal use) using the selected Art-Net Universe.

BACKUP [ONLY available when Port Status = INPUT]

Selected DMX Port will not send any data if the selected Art-Net Universe is present on the network. If the selected universe becomes unavailable for several seconds and there is valid DMX input data present, the device will send the DMX data until data from the selected Art-Net Universe begins sending data again.

SINGLE [ONLY available when Port Status = OUTPUT]

Sets selected Port to send the DMX values of the selected Principle Art-NET Universe.

DMX output is enabled the first time it detects the DMX universe on the network or DMX data input.

HTP (Highest Takes Precedence) [ONLY when Port Status = OUTPUT]

Selected Port merges data from the Principle and Secondary Universes and outputs the one with the higher value.

▶Can only be selected for DMX Ports with a Port Status = OUTPUT

▶**Make sure RESEND option in System Menu is NOT set to Disabled or data will not be sent to the network.**

LTP (Latest Takes Precedence) [ONLY when Port Status = OUTPUT]

Selected Port outputs the latest channel activity from the Principle and Secondary Universes on a channel-by-channel basis.

▶Can only be selected for DMX Ports with a Port Status = OUTPUT

▶**Make sure RESEND option in System Menu is NOT set to Disabled or data will not be sent to the network.**

RDM (Remote Device Management) [ONLY when Port Status = OUTPUT]

ZERO [ONLY when Port Status = OUTPUT]

Selected DMX Port sends a DMX test signal with all channels at 0%.

S P E C I F I C A T I O N S

CONTROL / CONNECTIONS

2-Universe Support
DMX, RDM, Art-Net, and sACN Protocol Support
DMX Bilateral Conversion
sACN Auto-Detection
4-Button Control Panel
OLED System Menu Display
(3) LED Status Indicators
(1) Auto-Switching 10/100Mbps RJ45 EtherCON Input
(2) Multi-Configuration 5pin DMX Data Outputs

SIZE / WEIGHT

Length: 4.76" (121mm)
Width: 4.68" (119mm)
Vertical Height: 1.69" (43mm)
Weight: 0.88 lbs. (0.4kg)

ELECTRICAL / THERMAL

POE (Power over Ethernet)
2.6W Max Power Consumption
35°F to 113°F (2°C to 45°C)

APPROVALS

CE

FCC STATEMENT

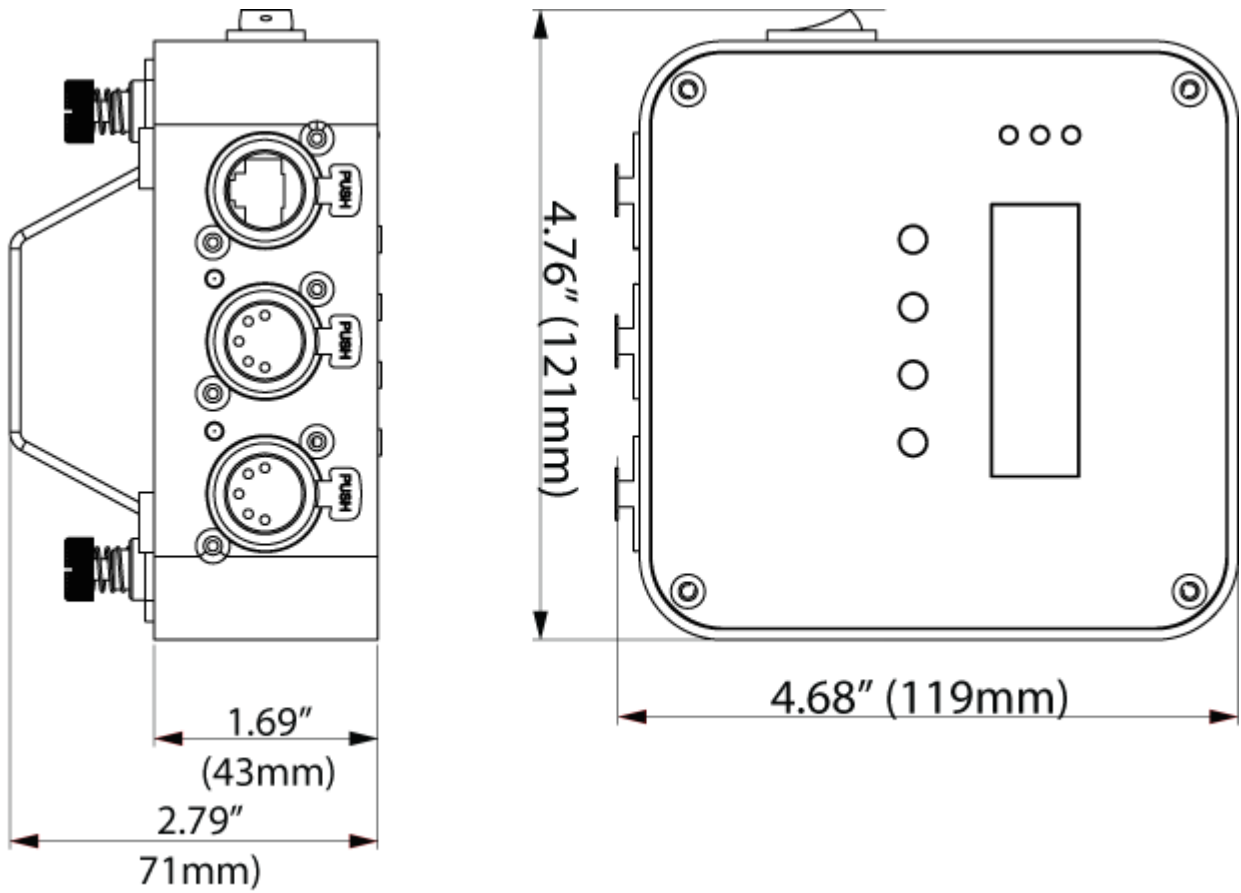
This device complies with Part 15 of the FCC Rules. Operation is subject to the following two conditions: (1) this device may not cause harmful interference, and (2) this device must accept any interference received, including interference that may cause undesired operation.

FCC RADIO FREQUENCY INTERFERENCE WARNINGS & INSTRUCTIONS

This product has been tested and found to comply with the limits as per Part 15 of the FCC Rules. These limits are designed to provide reasonable protection against harmful interference in a residential installation. This device uses and can radiate radio frequency energy and, if not installed and used in accordance with the included instructions, may cause harmful interference to radio communications. However, there is no guarantee that interference will not occur in a particular installation. If this device does cause harmful interference to radio or television reception, which can be determined by turning the device off and on, the user is encouraged to try to correct the interference by one or more of the following methods:

- Reorient or relocate the device.
- Increase the separation between the device and the receiver.
- Connect the device to an electrical outlet on a circuit different from which the radio receiver is connected.
- Consult the dealer or an experienced radio/TV technician for help.

DIMENSIONAL DRAWINGS



Specifications and improvements in the design of this unit and this manual subject to change without notice.

OPTIONAL ACCESSORIES

ORDER CODE	ITEM
NARROW CLAMP	Heavy Duty 2 inch Clamp
CAT6PRO5	5 ft. (1.5m) CAT6 ETHER-CON Cable
AC5PDMX5PRO	5 ft. (1.5m) 5pin PRO DMX Cable
	Additional Cable Lengths Available

