

Features

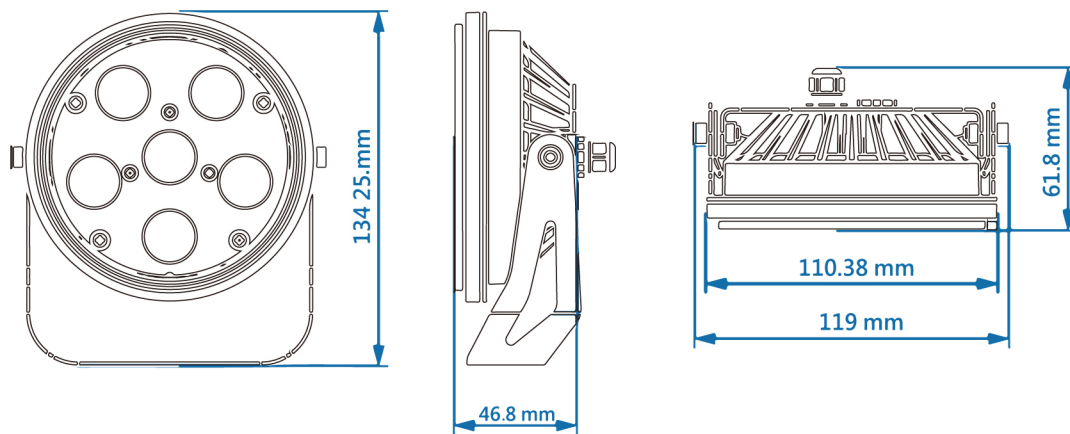
- High efficiency UV LED
- Peak wavelength at 365nm
- Minimum visible light
- High output 4500mW at full intensity
- Special optics will not degrade by high UV exposure
- Flicker free
- Weather proof IP-65



Specification

- Input voltage	DC 20-24V	- Peak wavelength	365nm
- Rated power	14W	- Cable connection	22 AWG wire cable
- LED	6 x 1.9W High Power UV LED	- Housing	Aluminum Die Casting
- Optics	15 degrees	- Protection rating	IP-65
- Radiant flux output	4500mW	- Dimension	W 110.5 x D 46.8 x H 134.25 mm
- Project lamp life	20,000 hours L70 at 25C	- Dry weight	0.71 kg

Dimensions



Illuminance measurement

Distance (m)	1	2	3	4	5
Intensity	2062 [$\mu\text{W}/\text{cm}^2$] 20.62 [W/m^2]	534 [$\mu\text{W}/\text{cm}^2$] 5.34 [W/m^2]	213 [$\mu\text{W}/\text{cm}^2$] 2.13 [W/m^2]	126 [$\mu\text{W}/\text{cm}^2$] 1.26 [W/m^2]	76 [$\mu\text{W}/\text{cm}^2$] 0.76 [W/m^2]
Intensity degradation rate (compare with 1m)	0 %	74.1 %	89.6 %	93.9 %	96.3 %

Spectrum

