

## Features

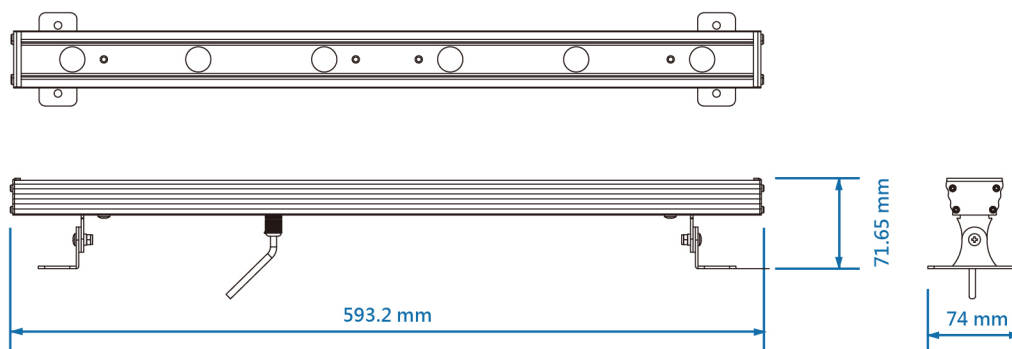
- High efficiency UV LED
- Peak wavelength at 365nm
- Minimum visible light
- High output 4500mW at full intensity
- Special optics will not degrade by high UV exposure
- Flicker free



## Specification

- Input voltage	DC 20-24V	- Peak wavelength	365nm
- Rated power	14W	- Cable connection	22 AWG wire cable
- LED	6 x 1.9W High Power UV LED	- Housing	Aluminum Extrusion
- Optics	25 degrees	- Protection rating	IP-20 Indoor use only
- Radiant flux output	4500 mW	- Dimension	L 593.2 x W 74 x H 71.65 mm
- Project lamp life	20,000 hrs L70 at 25C	- Dry weight	1.08 kg

## Dimensions



## Illuminance measurement

Distance (m)	1	2	3	4	5
Intensity	700 [ $\mu\text{W}/\text{cm}^2$ ] 7.00 [ $\text{W}/\text{m}^2$ ]	211 [ $\mu\text{W}/\text{cm}^2$ ] 2.11 [ $\text{W}/\text{m}^2$ ]	99 [ $\mu\text{W}/\text{cm}^2$ ] 0.99 [ $\text{W}/\text{m}^2$ ]	54 [ $\mu\text{W}/\text{cm}^2$ ] 0.54 [ $\text{W}/\text{m}^2$ ]	38 [ $\mu\text{W}/\text{cm}^2$ ] 0.38 [ $\text{W}/\text{m}^2$ ]
Intensity degradation rate (compare with 1m)	0%	69.8 %	85.9 %	92.2 %	94.5 %

## Spectrum

