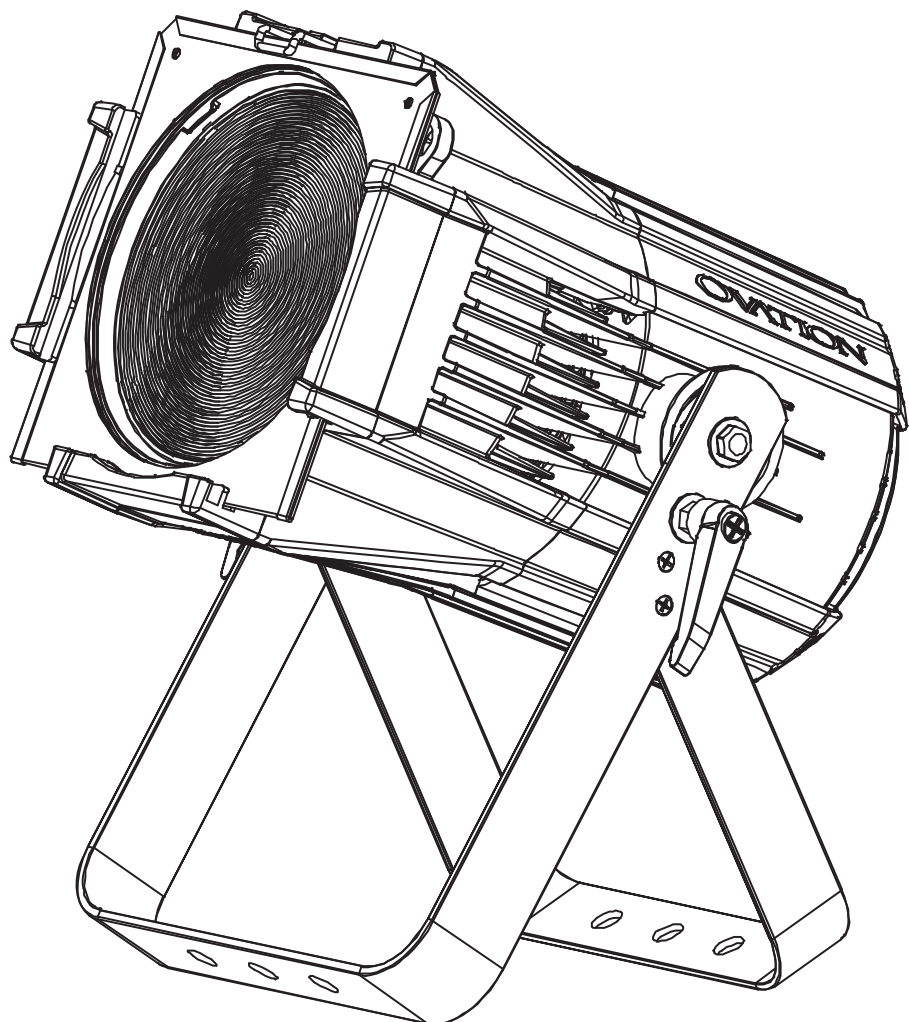


Ovation

P-56VW

Quick Reference Guide

| | |
|-------------|----|
| English | EN |
| Español | ES |
| Français | FR |
| Deutschland | DE |
| Nederlands | NL |




CHAUVET
PROFESSIONAL

About This Guide

The Ovation P-56VW Quick Reference Guide (QRG) has basic product information such as connection, mounting, menu options, and DMX values. Download the User Manual from www.chauvetprofessional.com for more details.

Disclaimer

The information and specifications contained in this QRG are subject to change without notice.

LIMITED WARRANTY

FOR WARRANTY REGISTRATION AND COMPLETE TERMS AND CONDITIONS PLEASE VISIT OUR WEBSITE.

For Customers in the United States and Mexico: www.chauvetlighting.com/warranty-registration.

For Customers in the United Kingdom, Republic of Ireland, Belgium, the Netherlands, Luxembourg, France, and Germany: www.chauvetlighting.eu/warranty-registration/.

Chauvet warrants that this product shall be free from defects in material and workmanship under normal use, for the period specified in and subject to the exclusions and limitations set forth in, the full limited warranty on our website. This warranty extends only to the original purchaser of the product and is not transferable. To exercise rights under this warranty, you must provide proof of purchase in the form of an original sales receipt from an authorized dealer that shows the product name and date of purchase. THERE ARE NO OTHER EXPRESS OR IMPLIED WARRANTIES. This warranty gives you specific legal rights. You may also have other rights that vary from state to state and country to country. This warranty is valid only in the United States, United Kingdom, Republic of Ireland, Belgium, the Netherlands, Luxembourg, France, Germany and Mexico. For warranty terms in other countries, please consult your local distributor.

Safety Notes

- DO NOT open this product. It contains no user-serviceable parts.
- To eliminate unnecessary wear and improve its lifespan, during periods of non-use completely disconnect the product from power via breaker or by unplugging it.
- DO NOT look at the light source when the product is on.
- CAUTION: This product's housing may be hot when lights are operating.
- Mount this product in a location with adequate ventilation, at least 20 in (50 cm) from adjacent surfaces.
- DO NOT leave any flammable material within 50 cm of this product while operating or connected to power.
- CAUTION: When transferring product from extreme temperature environments, (e.g., cold truck to warm humid ballroom) condensation may form on the internal electronics of the product. To avoid causing a failure, allow product to fully acclimate to the surrounding environment before connecting it to power.
- USE a safety cable when mounting this product overhead.
- DO NOT operate this product outdoors or in any location where dust, excessive heat, water, or humidity may affect it. (IP20)
- DO NOT operate this product if the housing, lenses, or cables appear damaged.
- DO NOT connect this product to a dimmer or rheostat.
- ONLY connect this product to a grounded and protected circuit.
- ONLY use the hanging/mounting bracket to carry this product.
- In the event of a serious operating problem, stop using immediately.
- The maximum ambient temperature is 113 °F (45 °C). Do not operate this product at higher temperatures.

Contact

Outside the U.S., United Kingdom, Ireland, Benelux, France, Germany, or Mexico, contact your distributor to request support or return a product. Visit [Contact Us](#) at the end of this QRG for contact information.

What is Included

- Ovation P-56VW
- Gel frame holder (7.5 in/191 mm accessories)
- Neutrik powerCON power cord
- Wide and Medium Lenses
- Quick Reference Guide

AC Power

This product has an auto-ranging power supply that can work with an input voltage range of 100–240 VAC, 50/60 Hz.

Power Linking

You can link up to 11 Ovation P-56VW products at 120 V, 18 products at 208 V, or 20 products at 230 V. Never exceed this number. Power linking cords can be purchased separately.

AC Plug

| Connection | Wire (U.S.) | Wire (Europe) | Screw Color |
|------------|--------------|---------------|--------------|
| AC Live | Black | Brown | Yellow/Brass |
| AC Neutral | White | Blue | Silver |
| AC Ground | Green/Yellow | Green/Yellow | Green |



To eliminate unnecessary wear and improve its lifespan, during periods of non-use completely disconnect the product from power via breaker or by unplugging it.

Replacing The Fuse

1. Disconnect this product from power.
2. Using a flat-head screwdriver, unscrew the fuse holder cap from the housing.
3. Remove blown fuse and replace with a good fuse of the same type and rating.
4. Screw the fuse holder cap back in place and reconnect power

DMX Linking

The Ovation P-56VW will work with a DMX controller using a 3- or 5-pin DMX serial connection. A DMX Primer is available from www.chauvetprofessional.com.

DMX Connection

The Ovation P-56VW uses a 3- or 5-pin DMX data connection for its DMX personalities: **1 Ch, 3 Ch, 5 Ch, 6 Ch, 8 Ch, 11 Ch, 15 Ch, and 17 Ch**. See the User Manual for information about connecting and configuring the product for DMX operation.

Master/Slave Connection

The Ovation P-56VW uses the DMX data connection for its master/slave mode. See the User Manual for information about how to connect and configure the product for master/slave operation.

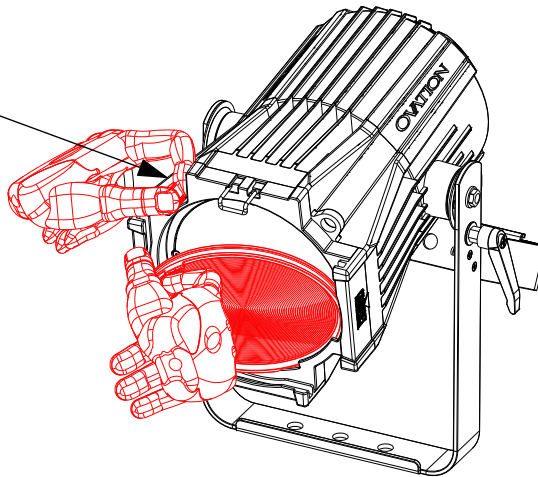
RDM (Remote Device Management)

Remote Device Management, or RDM, is a standard for allowing DMX-enabled devices to communicate bi-directionally along existing DMX cabling. Check the DMX controller's User Manual or with the manufacturer as not all DMX controllers have this capability. The Ovation P-56VW supports RDM protocol that allows feedback to make changes to menu map options. Download the User Manual from www.chauvetprofessional.com for more details.

Alternate Lenses

The interchangeable Wide and Medium lenses allow the product to have alternate beam angles.

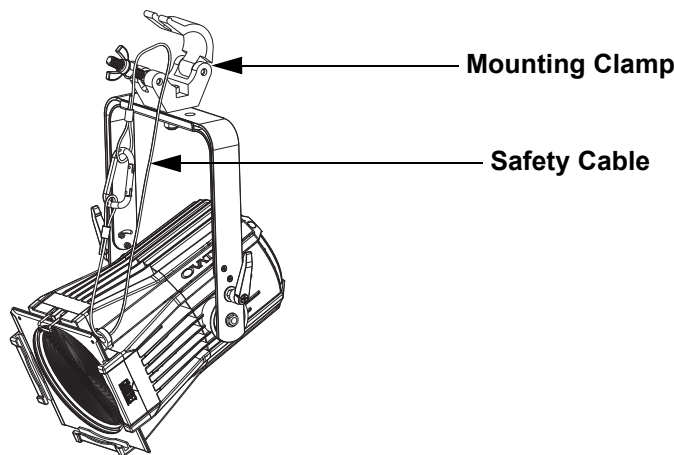
Pull knob up to release and change the lens



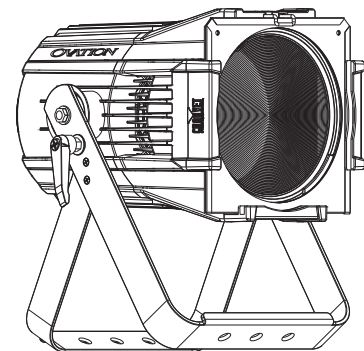
Mounting

Before mounting this product, read the [Safety Notes](#). Use at least one mounting point per product. Make sure the mounting clamps are capable of supporting the weight of the product. For our Chauvet line of mounting clamps, go to <http://trusst.com/productcategory/truss-clamps/>.

Product Mounting Diagram



Overhead Mounting



Floor Mounting

Color Temperature

Color Temperature DMX Chart

| DMX Channel Value | Color Temperature | DMX Channel Value | Color Temperature | DMX Channel Value | Color Temperature |
|-------------------|-------------------|-------------------|-------------------|-------------------|-------------------|
| 000 ⇔ 005 | No function/2800K | 083 ⇔ 090 | 3900–4000K | 167 ⇔ 174 | 5100–5200K |
| 006 ⇔ 013 | 2800–2900K | 090 ⇔ 097 | 4000–4100K | 174 ⇔ 181 | 5200–5300K |
| 013 ⇔ 020 | 2900–3000K | 097 ⇔ 104 | 4100–4200K | 181 ⇔ 188 | 5300–5400K |
| 020 ⇔ 027 | 3000–3100K | 104 ⇔ 111 | 4200–4300K | 188 ⇔ 195 | 5400–5500K |
| 027 ⇔ 034 | 3100–3200K | 111 ⇔ 118 | 4300–4400K | 195 ⇔ 202 | 5500–5600K |
| 034 ⇔ 041 | 3200–3300K | 118 ⇔ 125 | 4400–4500K | 202 ⇔ 209 | 5600–5700K |
| 041 ⇔ 048 | 3300–3400K | 125 ⇔ 132 | 4500–4600K | 209 ⇔ 216 | 5700–6000K |
| 048 ⇔ 055 | 3400–3500K | 132 ⇔ 139 | 4600–4700K | 216 ⇔ 223 | 6000–6500K |
| 055 ⇔ 062 | 3500–3600K | 139 ⇔ 146 | 4700–4800K | 223 ⇔ 230 | 6500–7000K |
| 062 ⇔ 069 | 3600–3700K | 146 ⇔ 153 | 4800–4900K | 230 ⇔ 237 | 7000–7500K |
| 069 ⇔ 076 | 3700–3800K | 153 ⇔ 160 | 4900–5000K | 237 ⇔ 244 | 7500–8000K |
| 076 ⇔ 083 | 3800–3900K | 160 ⇔ 167 | 5000–5100K | 244 ⇔ 255 | 8000K |

Color Temperature Values Chart

| Display Readout | Red Value | Orange Value | Green Value | Royal Blue Value | Blue Value | Lime Value |
|-----------------|-----------|--------------|-------------|------------------|------------|------------|
| 2800K | 193 | 181 | 015 | 032 | 023 | 255 |
| 2900K | 184 | 172 | 024 | 036 | 025 | 255 |
| 3000K | 176 | 161 | 027 | 037 | 028 | 255 |
| 3100K | 167 | 156 | 030 | 042 | 034 | 255 |
| 3200K | 162 | 146 | 034 | 046 | 035 | 255 |
| 3300K | 157 | 140 | 039 | 048 | 040 | 255 |
| 3400K | 153 | 132 | 042 | 050 | 044 | 255 |
| 3500K | 149 | 128 | 046 | 053 | 047 | 255 |
| 3600K | 144 | 122 | 050 | 055 | 050 | 255 |
| 3700K | 140 | 118 | 053 | 057 | 054 | 255 |
| 3800K | 135 | 115 | 054 | 059 | 057 | 255 |
| 3900K | 132 | 111 | 056 | 063 | 062 | 255 |
| 4000K | 128 | 107 | 059 | 066 | 065 | 255 |
| 4100K | 125 | 105 | 062 | 068 | 067 | 255 |
| 4200K | 123 | 103 | 067 | 070 | 071 | 255 |
| 4300K | 120 | 101 | 071 | 072 | 074 | 255 |
| 4400K | 118 | 099 | 074 | 074 | 078 | 255 |
| 4500K | 116 | 097 | 079 | 077 | 080 | 255 |
| 4600K | 114 | 094 | 083 | 078 | 083 | 255 |
| 4700K | 112 | 092 | 087 | 080 | 085 | 255 |
| 4800K | 107 | 090 | 089 | 082 | 087 | 255 |
| 4900K | 105 | 088 | 092 | 085 | 089 | 255 |
| 5000K | 103 | 086 | 095 | 087 | 092 | 255 |
| 5100K | 101 | 084 | 099 | 088 | 094 | 255 |
| 5200K | 100 | 082 | 101 | 091 | 096 | 255 |
| 5300K | 099 | 079 | 104 | 095 | 097 | 255 |
| 5400K | 098 | 077 | 106 | 098 | 099 | 255 |
| 5500K | 097 | 079 | 108 | 102 | 102 | 255 |
| 5600K | 096 | 077 | 109 | 104 | 104 | 255 |
| 5700K | 095 | 076 | 110 | 106 | 106 | 255 |
| 6000K | 089 | 072 | 115 | 111 | 113 | 255 |
| 6500K | 081 | 066 | 120 | 121 | 120 | 255 |
| 7000K | 077 | 059 | 124 | 128 | 129 | 255 |
| 7500K | 073 | 054 | 127 | 136 | 136 | 255 |
| 8000K | 068 | 050 | 135 | 144 | 142 | 255 |



The color temperatures above are simulated renditions of the color output produced as compared to a tungsten lamp at the specified color temperature. Chauvet makes no guarantee of the color output accuracy.

Control Panel Description

| Button | Function |
|---------|--|
| <MENU> | Exits from the current menu or function |
| <ENTER> | Enables the currently displayed menu or sets the currently selected value into the selected function |
| <UP> | Navigates upwards through the menu list or increases the numeric value when in a function |
| <DOWN> | Navigates downwards through the menu list or decreases the numeric value when in a function |

Menu Map

| Main Level | Programming Levels | | | Description | |
|-------------|--------------------|---|--|---|--|
| DMX Address | 001–512* | | | Selects DMX address (*highest channel restricted to personality chosen) | |
| DMX Channel | 1 Ch | Color Temperature | ___K | 1-channel: dimmer. See Color Temperature | |
| | | Manual Color Mixer | Red | 000–255 | Combine red, orange, green, royal blue, blue, and lime LEDs to make a custom color (0–100%) |
| | | | Orange | | |
| | | | Green | | |
| | | | Royal Blue | | |
| | | | Blue | | |
| | Lime | | | | |
| | 3 Ch | | 3-channel: dimmer, color temperature, hue | | |
| | 5 Ch | | 5-channel: 16-bit dimmer, color temperature, hue, strobe | | |
| | 6 Ch | | 6-channel: red, orange, green, royal blue, blue, lime | | |
| 8 Ch | | 8-channel: dimmer, red, orange, green, royal blue, blue, lime, strobe | | | |
| 11 Ch | | 11-channel: dimmer, red, orange, green, royal blue, blue, lime, strobe, color temperature, hue, dimmer speed mode | | | |
| 15 Ch | | 15-channel: 16-bit dimmer, 16-bit red, orange, green, royal blue, blue, and lime, strobe | | | |
| 17 Ch | | 17-channel: 16-bit dimmer, 16-bit red, orange, green, royal blue, blue, and lime, strobe, color temperature, hue | | | |
| Static | Color Temperature | 2800K | Dimmer | 000–255 | Sets the color temperature, dimmer, and hue (green/magenta) levels. Emulates a tungsten lamp at the specified color temperature. See Color Temperature . |
| | | 2900K | | | |
| | | 3000K | | | |
| | | 3100K | | | |
| | | 3200K | | | |
| | | 3300K | | | |
| | | 3400K | | | |
| | | 3500K | | | |
| | | 3600K | | | |
| | | 3700K | | | |
| | | 3800K | | | |
| | | 3900K | | | |
| | | 4000K | | | |
| | | 4100K | | | |
| | | 4200K | | | |
| | | 4300K | | | |
| | | 4400K | Hue | -25–25 | |
| | | 4500K | | | |
| | | 4600K | | | |
| | | 4700K | | | |
| 4800K | | | | | |
| 4900K | | | | | |

QUICK REFERENCE GUIDE



EN

| Main Level | Programming Levels | | | Description | |
|--------------------|------------------------------|--|---------|---|--|
| Static (cont.) | Color Temperature (cont.) | 5000K | Dimmer | 000–100 | Sets the color temperature, dimmer, and hue (green/magenta) levels. Emulates a tungsten lamp at the specified color temperature. See Color Temperature . |
| | | 5100K | | | |
| | | 5200K | | | |
| | | 5300K | | | |
| | | 5400K | | | |
| | | 5500K | | | |
| | | 5600K | | | |
| | | 5700K | | | |
| | | 6000K | | | |
| | | 6500K | | | |
| | Manual Color Mixer | Red | Hue | -25–25 | |
| | | Orange | | | |
| | | Green | | | |
| | | Royal Blue | | | |
| Manual Color Mixer | Blue | 000–255 | 000–255 | | |
| | Lime | | | | |
| | Blue | | | | |
| | Royal Blue | | | | |
| | Green | | | | |
| Master/Slave | Master | | | DMX mode (Master) | |
| | Slave | | | Slave mode | |
| Dimmer Mode | Off | | | Linear dimmer | |
| | Dimmer 1–3 | | | Dimming curves Dimmer 1 (fast) to Dimmer 3 (slow) | |
| White Balance | Off | | | Uses factory default white setting | |
| | Manual | Red | 125–255 | Sets red LED maximum value | |
| | | Orange | | Sets orange LED maximum value | |
| | | Green | | Sets green LED maximum value | |
| | | Royal Blue | | Sets royal blue LED maximum value | |
| | | Blue | | Sets blue LED maximum value | |
| | | Lime | | Sets lime LED maximum value | |
| LED Frequency | 600Hz | | | Sets the PWM frequency | |
| | 1200Hz | | | | |
| | 2000Hz | | | | |
| | 4000Hz | | | | |
| | 6000Hz | | | | |
| | 25KHz | | | | |
| Fan Mode | Auto | | | Sets the fan to auto mode | |
| | On | Sets the fan to always on | | | |
| | Off | Sets the fan to always off | | | |
| | Silent | Sets the fan to silent | | | |
| Back Light | 10S | | | Turns off display backlight after 10 seconds of inactivity | |
| | 30S | Turns off display backlight after 30 seconds of inactivity | | | |
| | 2min | Turns off display backlight after 2 minutes of inactivity | | | |
| | Always On | Display backlight always on | | | |
| Information | Fixture Hours | <_ _ _ _H> | | Shows total hours the product has been powered on | |
| | Version | <V_ _> | | Shows current firmware version | |
| | UID | <_ _ _ _ _ _ _ _> | | Shows product UID | |
| Reset Factory | No | | | Resets the product to factory default settings | |
| | Yes | | | | |

DMX Values

17 Ch

| Channel | Function | Value | Percent/Setting |
|---------|-------------------|------------------------|--|
| 1 | Dimmer | 000 ⇔ 255 | 0–100% |
| 2 | Fine Dimmer | 000 ⇔ 255 | 0–100% |
| 3 | Red | 000 ⇔ 255 | 0–100% |
| 4 | Fine Red | 000 ⇔ 255 | 0–100% |
| 5 | Orange | 000 ⇔ 255 | 0–100% |
| 6 | Fine Orange | 000 ⇔ 255 | 0–100% |
| 7 | Green | 000 ⇔ 255 | 0–100% |
| 8 | Fine Green | 000 ⇔ 255 | 0–100% |
| 9 | Royal Blue | 000 ⇔ 255 | 0–100% |
| 10 | Fine Royal Blue | 000 ⇔ 255 | 0–100% |
| 11 | Blue | 000 ⇔ 255 | 0–100% |
| 12 | Fine Blue | 000 ⇔ 255 | 0–100% |
| 13 | Lime | 000 ⇔ 255 | 0–100% |
| 15 | Fine Lime | 000 ⇔ 255 | 0–100% |
| 15 | Strobe | 000 ⇔ 010 011 ⇔ 255 | No function Strobe, slow to fast |
| 16 | Color Temperature | 000 ⇔ 255 | Refer to the Color Temperature DMX Chart |
| 17 | Hue | 000 ⇔ 255 | -25–25 |

15 Ch

| Channel | Function | Value | Percent/Setting |
|---------|-----------------|------------------------|-------------------------------------|
| 1 | Dimmer | 000 ⇔ 255 | 0–100% |
| 2 | Fine Dimmer | 000 ⇔ 255 | 0–100% |
| 3 | Red | 000 ⇔ 255 | 0–100% |
| 4 | Fine Red | 000 ⇔ 255 | 0–100% |
| 5 | Orange | 000 ⇔ 255 | 0–100% |
| 6 | Fine Orange | 000 ⇔ 255 | 0–100% |
| 7 | Green | 000 ⇔ 255 | 0–100% |
| 8 | Fine Green | 000 ⇔ 255 | 0–100% |
| 9 | Royal Blue | 000 ⇔ 255 | 0–100% |
| 10 | Fine Royal Blue | 000 ⇔ 255 | 0–100% |
| 11 | Blue | 000 ⇔ 255 | 0–100% |
| 12 | Fine Blue | 000 ⇔ 255 | 0–100% |
| 13 | Lime | 000 ⇔ 255 | 0–100% |
| 15 | Fine Lime | 000 ⇔ 255 | 0–100% |
| 15 | Strobe | 000 ⇔ 010 011 ⇔ 255 | No function Strobe, slow to fast |

QUICK REFERENCE GUIDE

EN

11 Ch

| Channel | Function | Value | Percent/Setting |
|---------|-------------------|---|---|
| 1 | Dimmer | 000 ⇔ 255 | 0–100% |
| 2 | Red | 000 ⇔ 255 | 0–100% |
| 3 | Orange | 000 ⇔ 255 | 0–100% |
| 4 | Green | 000 ⇔ 255 | 0–100% |
| 5 | Royal Blue | 000 ⇔ 255 | 0–100% |
| 6 | Blue | 000 ⇔ 255 | 0–100% |
| 7 | Lime | 000 ⇔ 255 | 0–100% |
| 8 | Strobe | 000 ⇔ 010 011 ⇔ 255 | No function Strobe, slow to fast |
| 9 | Color Temperature | 000 ⇔ 255 | Refer to the Color Temperature DMX Chart |
| 10 | Hue | 000 ⇔ 255 | -25–25 |
| 11 | Dimmer Mode* | 000 ⇔ 051 052 ⇔ 101 102 ⇔ 152 153 ⇔ 203 204 ⇔ 255 | Current dimmer speed mode Linear dimmer Nonlinear dimming curve 1 (fastest) Nonlinear dimming curve 2 Nonlinear dimming curve 3 (slowest) |



*Hold desired Dimmer Mode value for 3 seconds, then release. This changes the Dimmer Mode setting in the menu.

8 Ch

| Channel | Function | Value | Percent/Setting |
|---------|------------|------------------------|-------------------------------------|
| 1 | Dimmer | 000 ⇔ 255 | 0–100% |
| 2 | Red | 000 ⇔ 255 | 0–100% |
| 3 | Orange | 000 ⇔ 255 | 0–100% |
| 4 | Green | 000 ⇔ 255 | 0–100% |
| 5 | Royal Blue | 000 ⇔ 255 | 0–100% |
| 6 | Blue | 000 ⇔ 255 | 0–100% |
| 7 | Lime | 000 ⇔ 255 | 0–100% |
| 8 | Strobe | 000 ⇔ 010 011 ⇔ 255 | No function Strobe, slow to fast |

6 Ch

| Channel | Function | Value | Percent/Setting |
|---------|------------|-----------|-----------------|
| 1 | Red | 000 ⇔ 255 | 0–100% |
| 2 | Orange | 000 ⇔ 255 | 0–100% |
| 3 | Green | 000 ⇔ 255 | 0–100% |
| 4 | Royal Blue | 000 ⇔ 255 | 0–100% |
| 5 | Blue | 000 ⇔ 255 | 0–100% |
| 6 | Lime | 000 ⇔ 255 | 0–100% |

5 Ch

| Channel | Function | Value | Percent/Setting |
|---------|-------------------|-----------|--|
| 1 | Dimmer | 000 ⇔ 255 | 0–100% |
| 2 | Fine Dimmer | 000 ⇔ 255 | 0–100% |
| 3 | Color Temperature | 000 ⇔ 255 | Refer to the Color Temperature DMX Chart |
| 4 | Hue | 000 ⇔ 255 | -25–25 |
| 5 | Strobe | 000 ⇔ 010 | No function |
| | | 011 ⇔ 255 | Strobe, slow to fast |

3 Ch

| Channel | Function | Value | Percent/Setting |
|---------|-------------------|-----------|--|
| 1 | Dimmer | 000 ⇔ 255 | 0–100% |
| 2 | Color Temperature | 000 ⇔ 255 | Refer to the Color Temperature DMX Chart |
| 3 | Hue | 000 ⇔ 255 | -25–25 |

1 Ch

| Channel | Function | Value | Percent/Setting |
|---------|----------|-----------|--------------------------------|
| 1 | Dimmer | 000 ⇔ 255 | 0–100%, color set through menu |

Acerca de Esta Guía

La Guía de Referencia Rápida (GRR) del Ovation P-56VW contiene información básica sobre el producto, como montaje, opciones de menú y valores DMX. Descargue el Manual de Usuario de www.chauvetprofessional.com para información más detallada.

Exención de Responsabilidad

La información y especificaciones contenidas en esta GRR están sujetas a cambio sin previo aviso.

GARANTÍA LIMITADA

PARA VER EL REGISTRO DE GARANTÍA Y LOS TÉRMINOS Y CONDICIONES COMPLETOS, VISITE NUESTRO SITIO WEB.

Para clientes en los Estados Unidos y México: www.chauvetlighting.com/warranty-registration.

Para clientes en Reino Unido, República de Irlanda, Bélgica, Países Bajos, Luxemburgo, Francia y Alemania: www.chauvetlighting.eu/warranty-registration/.

Chauvet garantiza que este producto estará libre de defectos de material y mano de obra en condiciones de uso normales, durante el periodo especificado, sujeto siempre a las exclusiones y limitaciones establecidas en la garantía limitada completa de nuestro sitio web. Esta garantía se concede únicamente al comprador original del producto y no es transferible. Para ejercer los derechos que otorga esta garantía, usted debe proporcionar una prueba de compra en forma de un recibo de compra original, expedido por un distribuidor autorizado, donde figure el nombre del producto y la fecha de compra. NO EXISTEN OTRAS GARANTÍAS EXPRESAS NI IMPLÍCITAS. Esta garantía le otorga derechos legales específicos. Es posible que a usted le asistan otros derechos, que variarán dependiendo del estado o del país. Esta garantía solamente es válida en los Estados Unidos, Reino Unido, República de Irlanda, Bélgica, Países Bajos, Luxemburgo, Francia, Alemania y México. Para conocer los términos de garantía en otros países, consulte a su distribuidor local.

Notas de Seguridad

- NO abra este producto. No contiene piezas reparables por el usuario.
- Para evitar un desgaste innecesario y alargar su vida útil, desconecte completamente el producto de la alimentación, mediante el interruptor o desenchufándolo, durante los periodos en los que no se use.
- NO mire a la fuente de luz cuando el producto esté encendido.
- CUIDADO: La carcasa de este producto está caliente cuando las luces están en funcionamiento.
- Monte este producto en una ubicación con ventilación adecuada, al menos a 20" (50 cm) de superficies adyacentes.
- NO deje ningún material inflamable a menos de 50 cm de este producto mientras esté funcionando o conectado a la alimentación.
- Cuidado: cuando transfiera el producto desde ambientes con temperatura extrema (p. ej., del remolque frío de un camión a una sala de baile con calor y humedad), puede formarse condensación en la electrónica interna del producto. Para evitar que se produzca una avería, deje que el producto se aclimate completamente al ambiente antes de conectar la alimentación.
- USE un cable de seguridad cuando monte este producto en lo alto.
- NO ponga en funcionamiento este producto en el exterior o en cualquier ubicación en la que el polvo, calor excesivo, agua o humedad puedan afectarlo. (IP20)
- NO ponga en funcionamiento este producto si sospecha que la carcasa, lentes o cables están dañados.
- NO conecte este producto a un atenuador o reostato.
- Conecte este producto SOLO a un circuito con toma de tierra y protegido.
- Use SOLAMENTE los soportes de colgar/montar para mover este producto.
- En caso de un problema grave de funcionamiento, deje de usarlo inmediatamente.
- La máxima temperatura ambiente es de 113 °F (45 °C). No haga funcionar este producto a temperaturas más altas.

Contacto

Fuera de EE. UU., Reino Unido, Irlanda, Benelux, Francia, Alemania o México, póngase en contacto con su distribuidor para solicitar asistencia o devolver el producto. Visite [Contact Us](#) para información de contacto.

Qué va Incluido

- Ovation P-56VW
- Marco de gel (Accesorios de 191 mm/7,5 in)
- Cable de Alimentación Neutrik® powerCON®
- Lentes anchas y medianas
- Guía de Referencia Rápida

Corriente Alterna

Este producto tiene una fuente de alimentación con detección automática que puede funcionar con un rango de tensión de entrada de 100 a 240 VCA, 50/60 Hz.

Alimentación en Cadena

Puede enlazar hasta 11 productos Ovation P-56VW a 120 V, 18 productos a 208 V o 20 productos a 230 V. Los cables de alimentación en cadena se pueden adquirir por separado.

Enchufe CA

| Conexión | Cable (EE.UU.) | Cable (Europa) | Color del tornillo |
|------------|----------------|----------------|--------------------|
| CA Cargado | Negro | Marrón | Amarillo/Latón |
| CA Neutro | Blanco | Azul | Plata |
| CA Tierra | Verde/Amarillo | Verde/Amarillo | Verde |



Para evitar un desgaste innecesario y alargar su vida útil, desconecte completamente el producto de la alimentación, mediante el interruptor o desenchufándolo, durante los periodos en los que no se use.

Sustitución del Fusible

1. Desconecte el producto de la toma de corriente.
2. Con un destornillador de estrella N°2 desatornille la tapa del portafusibles.
3. Quite el fusible fundido del portafusibles y sustitúyalo con otro del mismo tipo y categoría.
4. Vuelva a atornillar la tapa del portafusibles en su sitio y conecte de nuevo la alimentación.

Enlace DMX

El Ovation P-56VW funcionará con un controlador DMX usando una conexión serie DMX normal. Hay un manual DMX disponible en www.chauvetprofessional.com.

Conexión DMX

El Ovation P-56VW usa una conexión de datos DMX normal para sus personalidades DMX: **1 Ch, 3 Ch, 5 Ch, 6 Ch, 8 Ch, 11 Ch, 15 Ch y 17 Ch**. Vea el Manual de usuario para conectar y configurar para funcionamiento DMX.

Conexión Maestro/Esclavo

El Ovation P-56VW usa la conexión de datos DMX para su modo Maestro/Esclavo. Vea el Manual de Usuario para conectar y configurar para funcionamiento Maestro/Esclavo.

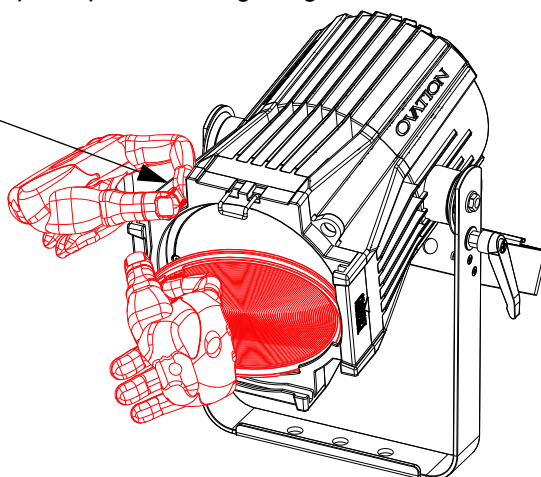
RDM (gestión remota del dispositivo)

Remote Device Management (gestión remota del dispositivo) o RDM, es un estándar que permite a los dispositivos con capacidad DMX una comunicación bidireccional por un cableado DMX existente. El Ovation P-56VW admite protocolo RDM, que posibilita información para supervisar cambiar las opciones del mapa de menú. Descargue el manual de usuario de www.chauvetprofessional.com para una información más detallada.

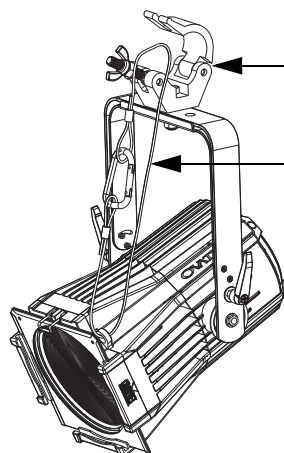
Lentes Alternativos

Las lentes intercambiables permiten que el producto tenga ángulos de haz alternativos.

Tire de la perilla hacia arriba para liberar y cambiar la lente


Montaje

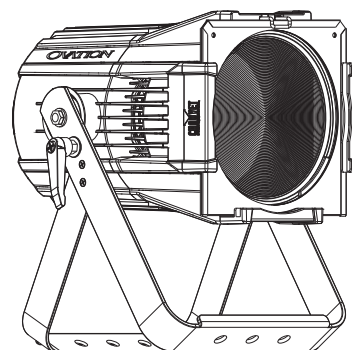
Antes de montar este producto, lea las [Notas de Seguridad](#). Asegúrese de que las abrazaderas de montaje son capaces de soportar el peso del producto. Para nuestra línea Chauvet de abrazaderas de montaje, visite <http://trusst.com/productcategory/truss-clamps/>.

Diagrama de Montaje del Producto


Montaje en Altura

Abrazadera de Montaje

Cable de Seguridad



Montaje en el Suelo

Temperaturas de color

Gráfico DMX de temperaturas de color

| Valor del Canal DMX | Temperatura de color | Valor del Canal DMX | Temperatura de color | Valor del Canal DMX | Temperatura de color |
|---------------------|----------------------|---------------------|----------------------|---------------------|----------------------|
| 000 ⇔ 005 | Sin función/2800K | 083 ⇔ 090 | 3900–4000K | 167 ⇔ 174 | 5100–5200K |
| 006 ⇔ 013 | 2800–2900K | 090 ⇔ 097 | 4000–4100K | 174 ⇔ 181 | 5200–5300K |
| 013 ⇔ 020 | 2900–3000K | 097 ⇔ 104 | 4100–4200K | 181 ⇔ 188 | 5300–5400K |
| 020 ⇔ 027 | 3000–3100K | 104 ⇔ 111 | 4200–4300K | 188 ⇔ 195 | 5400–5500K |
| 027 ⇔ 034 | 3100–3200K | 111 ⇔ 118 | 4300–4400K | 195 ⇔ 202 | 5500–5600K |
| 034 ⇔ 041 | 3200–3300K | 118 ⇔ 125 | 4400–4500K | 202 ⇔ 209 | 5600–5700K |
| 041 ⇔ 048 | 3300–3400K | 125 ⇔ 132 | 4500–4600K | 209 ⇔ 216 | 5700–6000K |
| 048 ⇔ 055 | 3400–3500K | 132 ⇔ 139 | 4600–4700K | 216 ⇔ 223 | 6000–6500K |
| 055 ⇔ 062 | 3500–3600K | 139 ⇔ 146 | 4700–4800K | 223 ⇔ 230 | 6500–7000K |
| 062 ⇔ 069 | 3600–3700K | 146 ⇔ 153 | 4800–4900K | 230 ⇔ 237 | 7000–7500K |
| 069 ⇔ 076 | 3700–3800K | 153 ⇔ 160 | 4900–5000K | 237 ⇔ 244 | 7500–8000K |
| 076 ⇔ 083 | 3800–3900K | 160 ⇔ 167 | 5000–5100K | 244 ⇔ 255 | 8000K |

Gráfico de valores de temperaturas de color

| Lectura en Pantalla | Valor Rojo | Valor Naranja | Valor Verde | Valor Azul Real | Valor Azul | Valor Lime |
|---------------------|------------|---------------|-------------|-----------------|------------|------------|
| 2800K | 193 | 181 | 015 | 032 | 023 | 255 |
| 2900K | 184 | 172 | 024 | 036 | 025 | 255 |
| 3000K | 176 | 161 | 027 | 037 | 028 | 255 |
| 3100K | 167 | 156 | 030 | 042 | 034 | 255 |
| 3200K | 162 | 146 | 034 | 046 | 035 | 255 |
| 3300K | 157 | 140 | 039 | 048 | 040 | 255 |
| 3400K | 153 | 132 | 042 | 050 | 044 | 255 |
| 3500K | 149 | 128 | 046 | 053 | 047 | 255 |
| 3600K | 144 | 122 | 050 | 055 | 050 | 255 |
| 3700K | 140 | 118 | 053 | 057 | 054 | 255 |
| 3800K | 135 | 115 | 054 | 059 | 057 | 255 |
| 3900K | 132 | 111 | 056 | 063 | 062 | 255 |
| 4000K | 128 | 107 | 059 | 066 | 065 | 255 |
| 4100K | 125 | 105 | 062 | 068 | 067 | 255 |
| 4200K | 123 | 103 | 067 | 070 | 071 | 255 |
| 4300K | 120 | 101 | 071 | 072 | 074 | 255 |
| 4400K | 118 | 099 | 074 | 074 | 078 | 255 |
| 4500K | 116 | 097 | 079 | 077 | 080 | 255 |
| 4600K | 114 | 094 | 083 | 078 | 083 | 255 |
| 4700K | 112 | 092 | 087 | 080 | 085 | 255 |
| 4800K | 107 | 090 | 089 | 082 | 087 | 255 |
| 4900K | 105 | 088 | 092 | 085 | 089 | 255 |
| 5000K | 103 | 086 | 095 | 087 | 092 | 255 |
| 5100K | 101 | 084 | 099 | 088 | 094 | 255 |
| 5200K | 100 | 082 | 101 | 091 | 096 | 255 |
| 5300K | 099 | 079 | 104 | 095 | 097 | 255 |
| 5400K | 098 | 077 | 106 | 098 | 099 | 255 |
| 5500K | 097 | 079 | 108 | 102 | 102 | 255 |
| 5600K | 096 | 077 | 109 | 104 | 104 | 255 |
| 5700K | 095 | 076 | 110 | 106 | 106 | 255 |
| 6000K | 089 | 072 | 115 | 111 | 113 | 255 |
| 6500K | 081 | 066 | 120 | 121 | 120 | 255 |
| 7000K | 077 | 059 | 124 | 128 | 129 | 255 |
| 7500K | 073 | 054 | 127 | 136 | 136 | 255 |
| 8000K | 068 | 050 | 135 | 144 | 142 | 255 |



Las temperaturas de color que aparecen arriba son interpretaciones simuladas de la emisión de color producida cuando se compara con una lámpara de tungsteno a la temperatura de color especificada. Chauvet no garantiza la exactitud del color emitido.

Descripción del Panel de Control

| Botón | Función |
|---------|--|
| <MENU> | Sale del menú o función actual |
| <ENTER> | Habilita el menú actualmente en pantalla o configura el valor seleccionado actualmente dentro de la función seleccionada |
| <UP> | Navega hacia arriba por la lista de menú o aumenta el valor numérico cuando está en una función |
| <DOWN> | Navega hacia abajo por la lista de menú o disminuye el valor numérico cuando está en una función |

Mapa de Menú

| Nivel Principal | Niveles de Programación | | | Descripción | |
|-----------------|--|--|------------|---|--|
| DMX Address | 001–512* | | | Selecciona la dirección de inicio (*canal más alto restringido a la elección de personalidad) | |
| DMX Channel | 1 Ch | Color Temperature | ----K | 1-canal: atenuador. Vea Temperaturas de color | |
| | | Manual Color Mixer | Red | 000–255 | Combina rojo, naranja, verde, azul real, azul y lime para generar un color personalizado (0–100%) |
| | | | Orange | | |
| | | | Green | | |
| | | | Royal Blue | | |
| | | | Blue | | |
| | Lime | | | | |
| | 3 Ch | 3-canales: atenuador, temperatura de color, tono | | | |
| 5 Ch | 5-canales: 16 bits atenuador, temperatura de color, tono estroboscopio | | | | |
| 6 Ch | 6-canales: rojo, naranja, verde, azul real, azul, lime | | | | |
| 8 Ch | 8-canales: atenuador, rojo, naranja, verde, azul real, azul, lime, estroboscopio | | | | |
| 11 Ch | 11-canales: atenuador, rojo, naranja, verde, azul real, azul, lime, estroboscopio, temperatura de color, tono, velocidad atenuador | | | | |
| 15 Ch | 15-canales: 16 bits atenuador, rojo, naranja, verde, azul real, azul y lime, estroboscopio | | | | |
| 17 Ch | 17-canales: 16 bits atenuador, rojo, naranja, verde, azul real, azul y lime, estroboscopio, temperatura de color, tono | | | | |
| Static | Color Temperature | 2800K | Dimmer | 000–255 | Establece la temperatura de color y niveles atenuador y matiz (verde/magenta). Emula una lámpara de tungsteno a la temperatura de color especificada |
| | | 2900K | | | |
| | | 3000K | | | |
| | | 3100K | | | |
| | | 3200K | | | |
| | | 3300K | | | |
| | | 3400K | | | |
| | | 3500K | | | |
| | | 3600K | | | |
| | | 3700K | | | |
| | | 3800K | | | |
| | | 3900K | | | |
| | | 4000K | | | |
| | | 4100K | | | |
| | | 4200K | | | |
| | | 4300K | | | |
| | | 4400K | | | |
| | | 4500K | Hue | -25–25 | |
| | | 4600K | | | |
| | | 4700K | | | |
| 4800K | | | | | |
| 4900K | | | | | |
| 5000K | | | | | |

| Nivel Principal | Niveles de Programación | | | | Descripción |
|-------------------|------------------------------|---------------------------------------|--------|---|--|
| Static (cont.) | Color Temperature (cont.) | 5100K | Dimmer | 000–255 | Establece la temperatura de color y niveles atenuador y matiz (verde/magenta). Emula una lámpara de tungsteno a la temperatura de color especificada |
| | | 5200K | | | |
| | | 5300K | | | |
| | | 5400K | | | |
| | | 5500K | | | |
| | | 5600K | Hue | | |
| | | 5700K | | | |
| | | 6000K | | | |
| | | 6500K | | | |
| | | 7000K | | | |
| | 7500K | 000–255 | | | |
| | 8000K | | | | |
| | Manual Color Mixer | | Red | | |
| | | Orange | | | |
| | | Green | | | |
| | | Royal Blue | | | |
| | | Blue | | | |
| | | Lime | | | |
| Master/Slave | Master | | | | Modo DMX (maestro) |
| | Slave | | | | Modo esclavo |
| Dimmer Mode | Off | | | | Atenuador lineal |
| | Dimmer 1–3 | | | | Curvas de atenuador rápido (Dimmer 1) a lento (Dimmer 3) |
| White Balance | Off | | | | Utiliza la configuración de blanco predeterminada de fábrica |
| | Manual | Red | | <125–255> | Establece el valor máximo de LED rojo |
| | | Orange | | | Establece el valor máximo de LED naranja |
| | | Green | | | Establece el valor máximo de LED verde |
| | | Royal Blue | | | Establece el valor máximo de LED azul real |
| | | Blue | | | Establece el valor máximo de LED azul |
| Lime | | Establece el valor máximo de LED lime | | | |
| LED Frequency | 600Hz | | | | Selecciona la frecuencia de emisión PWM |
| | 1200Hz | | | | |
| | 2000Hz | | | | |
| | 4000Hz | | | | |
| | 6000Hz | | | | |
| | 25KHz | | | | |
| Fan Mode | Auto | | | | Establece el ventilador a modo auto |
| | On | | | | Establece el ventilador a modo siempre encendido |
| | Off | | | | Establece el ventilador a modo siempre apagado |
| | Silent | | | | Establece el ventilador en silencio |
| Back Light | On | | | | Retro-iluminación de la pantalla se apaga después de 10 segundos de inactividad |
| | 10S | | | | Retro-iluminación de la pantalla se apaga después de 30 segundos de inactividad |
| | 20S | | | | Retro-iluminación de la pantalla se apaga después de 2 minutos de inactividad |
| | 30S | | | | Retro-iluminación de la pantalla siempre activa |
| Information | Fixture Hours | <_ _ _ _ H> | | Muestra el nombre total de las horas del producto | |
| | Version | <V _ _> | | Muestra instalada la versión de firmware | |
| | UID | <_ _ _ _ _ _ _ _ _> | | Muestra el UID # del producto | |
| Reset Factory | No | | | | Reinicia a la configuración de fábrica |
| | Yes | | | | |

Valores DMX
17 Ch

| Canal | Función | Valor | Porcentaje/Configuración |
|-------|----------------------|------------------------|--|
| 1 | Atenuador | 000 ⇔ 255 | 0–100% |
| 2 | Atenuador fino | 000 ⇔ 255 | 0–100% |
| 3 | Rojo | 000 ⇔ 255 | 0–100% |
| 4 | Rojo fino | 000 ⇔ 255 | 0–100% |
| 5 | Naranja | 000 ⇔ 255 | 0–100% |
| 6 | Naranja fino | 000 ⇔ 255 | 0–100% |
| 7 | Verde | 000 ⇔ 255 | 0–100% |
| 8 | Verde fino | 000 ⇔ 255 | 0–100% |
| 9 | Azul real | 000 ⇔ 255 | 0–100% |
| 10 | Azul real fino | 000 ⇔ 255 | 0–100% |
| 11 | Azul | 000 ⇔ 255 | 0–100% |
| 12 | Azul fino | 000 ⇔ 255 | 0–100% |
| 13 | Lime | 000 ⇔ 255 | 0–100% |
| 15 | Lime fino | 000 ⇔ 255 | 0–100% |
| 15 | Estroboscopio | 000 ⇔ 010 011 ⇔ 255 | Sin función Estroboscopio, lento a rápido |
| 16 | Temperatura de color | 000 ⇔ 255 | Vea Gráfico DMX de temperaturas de color |
| 17 | Tono | 000 ⇔ 255 | -25–25 |

15 Ch

| Canal | Función | Valor | Porcentaje/Configuración |
|-------|----------------|------------------------|--|
| 1 | Atenuador | 000 ⇔ 255 | 0–100% |
| 2 | Atenuador fino | 000 ⇔ 255 | 0–100% |
| 3 | Rojo | 000 ⇔ 255 | 0–100% |
| 4 | Rojo fino | 000 ⇔ 255 | 0–100% |
| 5 | Naranja | 000 ⇔ 255 | 0–100% |
| 6 | Naranja fino | 000 ⇔ 255 | 0–100% |
| 7 | Verde | 000 ⇔ 255 | 0–100% |
| 8 | Verde fino | 000 ⇔ 255 | 0–100% |
| 9 | Azul real | 000 ⇔ 255 | 0–100% |
| 10 | Azul real fino | 000 ⇔ 255 | 0–100% |
| 11 | Azul | 000 ⇔ 255 | 0–100% |
| 12 | Azul fino | 000 ⇔ 255 | 0–100% |
| 13 | Lime | 000 ⇔ 255 | 0–100% |
| 15 | Lime fino | 000 ⇔ 255 | 0–100% |
| 15 | Estroboscopio | 000 ⇔ 010 011 ⇔ 255 | Sin función Estroboscopio, lento a rápido |

ES

11 Ch

| Canal | Función | Valor | Porcentaje/Configuración |
|-------|----------------------|-----------|--|
| 1 | Atenuador | 000 ⇔ 255 | 0–100% |
| 2 | Rojo | 000 ⇔ 255 | 0–100% |
| 3 | Naranja | 000 ⇔ 255 | 0–100% |
| 4 | Verde | 000 ⇔ 255 | 0–100% |
| 5 | Azul real | 000 ⇔ 255 | 0–100% |
| 6 | Azul | 000 ⇔ 255 | 0–100% |
| 7 | Lime | 000 ⇔ 255 | 0–100% |
| 8 | Estroboscopio | 000 ⇔ 010 | Sin función |
| | | 011 ⇔ 255 | Estroboscopio, lento a rápido |
| 9 | Temperatura de color | 000 ⇔ 255 | Vea Gráfico DMX de temperaturas de color |
| 10 | Tono | 000 ⇔ 255 | -25–25 |
| 11 | Modo Atenuador* | 000 ⇔ 051 | Modo de velocidad del atenuador actual |
| | | 052 ⇔ 101 | Atenuador lineal |
| | | 102 ⇔ 152 | Curva de atenuación no-lineal 1 (la más rápida) |
| | | 153 ⇔ 203 | Curva de atenuación no-lineal 2 |
| | | 204 ⇔ 255 | Curva de atenuación no-lineal 3 |



*Mantenga el valor deseado de la modo del atenuador durante 3 segundos, y luego suelte. Esto cambia la configuración de modo de atenuador en el menú.

8 Ch

| Canal | Función | Valor | Porcentaje/Configuración |
|-------|---------------|-----------|-------------------------------|
| 1 | Atenuador | 000 ⇔ 255 | 0–100% |
| 2 | Rojo | 000 ⇔ 255 | 0–100% |
| 3 | Naranja | 000 ⇔ 255 | 0–100% |
| 4 | Verde | 000 ⇔ 255 | 0–100% |
| 5 | Azul real | 000 ⇔ 255 | 0–100% |
| 6 | Azul | 000 ⇔ 255 | 0–100% |
| 7 | Lime | 000 ⇔ 255 | 0–100% |
| 8 | Estroboscopio | 000 ⇔ 010 | Sin función |
| | | 011 ⇔ 255 | Estroboscopio, lento a rápido |

6 Ch

| Canal | Función | Valor | Porcentaje/Configuración |
|-------|-----------|-----------|--------------------------|
| 1 | Rojo | 000 ⇔ 255 | 0–100% |
| 2 | Naranja | 000 ⇔ 255 | 0–100% |
| 3 | Verde | 000 ⇔ 255 | 0–100% |
| 4 | Azul real | 000 ⇔ 255 | 0–100% |
| 5 | Azul | 000 ⇔ 255 | 0–100% |
| 6 | Lime | 000 ⇔ 255 | 0–100% |

5 Ch

| Canal | Función | Valor | Porcentaje/Configuración |
|-------|----------------------|------------------------|--|
| 1 | Atenuador | 000 ⇔ 255 | 0–100% |
| 2 | Atenuador fino | 000 ⇔ 255 | 0–100% |
| 3 | Temperatura de color | 000 ⇔ 255 | Vea Gráfico DMX de temperaturas de color |
| 4 | Tono | 000 ⇔ 255 | -25–25 |
| 5 | Estroboscopio | 000 ⇔ 010 011 ⇔ 255 | Sin función Estroboscopio, lento a rápido |

3 Ch

| Canal | Función | Valor | Porcentaje/Configuración |
|-------|----------------------|-----------|--|
| 1 | Atenuador | 000 ⇔ 255 | 0–100% |
| 2 | Temperatura de color | 000 ⇔ 255 | Vea Gráfico DMX de temperaturas de color |
| 2 | Tono | 000 ⇔ 255 | -25–25 |

1 Ch

| Canal | Función | Valor | Porcentaje/Configuración |
|-------|-----------|-----------|--|
| 1 | Atenuador | 000 ⇔ 255 | 0–100%, configura el color desde la pantalla de menú |

À Propos de ce Manuel

Le Manuel de Référence du Ovation P-56VW (MR) reprend des informations de base sur cet appareil notamment en matière de connexions, montage, options de menu et valeurs DMX. Télécharger le Manuel d'Utilisation sur www.chauvetprofessional.com pour de plus amples informations.

Clause de Non-Responsabilité

Les informations et caractéristiques contenues dans ce manuel sont sujettes à changement sans préavis.

GARANTIE LIMITÉE

VEUILLEZ VISITER NOTRE SITE INTERNET POUR CONSULTER LES MODALITÉS D'ENREGISTREMENT DE LA GARANTIE ET LES CONDITIONS GÉNÉRALES COMPLÈTES.

Pour les clients aux États-Unis et au Mexique: www.chauvetlighting.com/warranty-registration.

Pour les clients du Royaume-Uni, de la République d'Irlande, de la Belgique, des Pays-Bas, du Luxembourg, de la France et de l'Allemagne: www.chauvetlighting.eu/warranty-registration/.

Chauvet garantit que cet appareil est exempt de défauts de matériaux et de fabrication dans des conditions normales d'utilisation, pendant la période spécifiée dans la garantie limitée complète consultable sur notre site Internet et sous réserve des exclusions et limitations qui y sont énoncées. Cette garantie ne s'applique qu'à l'acheteur initial du produit et n'est pas transférable. Pour exercer les droits prévus par cette garantie, vous devez fournir une preuve d'achat sous la forme d'un reçu de vente original d'un revendeur autorisé qui indique le nom du produit et la date d'achat. IL N'EXISTE AUCUNE AUTRE GARANTIE EXPRESSE OU IMPLICITE. Cette garantie vous confère des droits légaux spécifiques. Vous pouvez également bénéficier d'autres droits qui varient selon les états et les pays. Cette garantie n'est valable qu'aux États-Unis, au Royaume-Uni, en République d'Irlande, en Belgique, aux Pays-Bas, au Luxembourg, en France, en Allemagne et au Mexique. Pour connaître les conditions de garantie dans d'autres pays, veuillez consulter votre revendeur local.

Consignes de Sécurité

- N'ouvrez PAS cet appareil. Il ne contient aucun composant susceptible d'être réparé par l'utilisateur.
- Durant les périodes de non-utilisation, pour éviter tout usure inutile et pour prolonger la durée de vie, déconnectez-entièrement l'appareil en le débranchant de l'alimentation électrique ou en coupant le disjoncteur.
- Ne regardez PAS la source lumineuse lorsque l'appareil fonctionne.
- ATTENTION : le boîtier de cet appareil est brûlant lors du fonctionnement.
- Montez toujours cet appareil dans un endroit bien ventilé, à au moins, 20 pouces (50 cm) des surfaces adjacentes.
- Ne laissez AUCUNE source inflammable dans un rayon de 50 cm de l'appareil lorsque celui-ci fonctionne.
- Attention : Lorsque l'appareil est transféré d'un environnement à température extrême à un autre (par exemple d'un camion froid vers une salle de bal chaude et humide), de la condensation peut se former sur les composants électriques internes. Pour éviter de causer des dommages, laissez l'appareil s'acclimater entièrement au milieu environnant avant de le mettre sous tension.
- Utilisez TOUJOURS un câble de sécurité lorsque vous montez cet appareil en hauteur.
- N'utilisez PAS ce produit en extérieur ou tout autre endroit où de la poussière, une chaleur excessive, de l'eau ou de l'humidité pour en affecter le fonctionnement. (IP20).
- N'utilisez PAS cet appareil si le boîtier, les lentilles ou les câbles vous semblent endommagés.
- Ne connectez PAS cet appareil ni à un gradateur ni à un rhéostat.
- Connectez UNIQUEMENT cet appareil à un circuit protégé et relié à la terre.
- Transportez/Suspendez cet appareil UNIQUEMENT par le support de montage dont il est doté.
- En cas de sérieux problèmes de fonctionnement, arrêtez le système immédiatement.
- La température ambiante maximale supportée par cet appareil est de 113 °F (45 °C). Ne le faites pas fonctionner à des températures plus élevées.

Contact

En dehors des États-Unis, du Royaume-Uni, de l'Irlande, du Benelux, de la France, de l'Allemagne, ou du Mexique, contactez votre fournisseur si vous avez besoin d'assistance ou de retourner votre appareil. Consultez le site [Contact Us](#) pour trouver nos coordonnées.

Ce Qui est Inclus

- Ovation P-56VW
- Cadre pour gélatine (191 mm/7,5 in accessoires)
- Un Cordon d'Alimentation Neutrik powerCON
- Lentilles larges et moyennes
- Manuel de Référence

Alimentation CA

Cet appareil est doté d'une alimentation universelle prenant en charge toute tension d'entrée comprise entre 100 et 240 VCA, 50/60 Hz.

Connexion Électrique

Vous pouvez connecter jusqu'à 11 Ovation P-56VW à 120 V, 18 unités à 208 V ou 20 unités à 230 V. Vous pouvez vous procurer séparément des cordons d'alimentation.

Prise CA

| Connexion | Câble (États-Unis) | Câble (Europe) | Couleur de la vis |
|---------------|--------------------|----------------|-------------------|
| Conducteur CA | Noir | Marron | Jaune/Cuivré |
| Neutre CA | Blanc | Bleu | Argenté |
| Terre CA | Vert/Jaune | Vert/Jaune | Vert |



Durant les périodes de non-utilisation, pour éviter tout usure inutile et pour prolonger la durée de vie, déconnectez-entièrement l'appareil en le débranchant de l'alimentation électrique ou en coupant le disjoncteur.

Remplacement du Fusible

1. Débranchez l'appareil de la prise.
2. À l'aide d'un tournevis Philips à tête n° 2, dévissez le couvercle du porte-fusible.
3. Remplacez le fusible obsolète par un fusible neuf équivalent
4. Revissez le couvercle du porte-fusible et rebranchez l'unité.

Raccordement DMX

Le Ovation P-56VW fonctionnera avec un jeu d'orgues DMX au moyen de connexions DMX en série standard. Une introduction au DMX est à votre disposition sur www.chauvetprofessional.com.

Connexion DMX

Le Ovation P-56VW utilise une connexion de données DMX standard pour ses personnalités DMX: **1 Ch, 3 Ch, 5 Ch, 6 Ch, 8 Ch, 11 Ch, 15 Ch**, et **17 Ch**. Consultez le Manuel d'Utilisation pour connecter et configurer le système DMX.

Connexion Maître/ Esclave

Le Ovation P-56VW utilise une connexion de données DMX pour son mode Maître/Esclave. Consultez le Manuel d'Utilisation pour connecter et configurer le mode de fonctionnement Maître/Esclave.

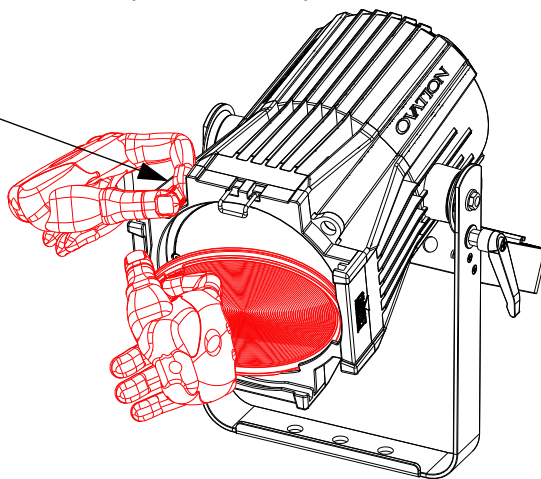
RDM (Gestion des périphériques à distance)

Le protocole RDM (gestion des périphériques à distance) est un standard pour la communication bidirectionnelle des appareils dotés de fonctions DMX dans un câblage DMX existant. Le Ovation P-56VW supporte le protocole RDM permettant un retour d'information pour la surveillance et des changements des options de menu. Veuillez télécharger le manuel de l'utilisateur à partir du site internet www.chauvetprofessional.com pour plus de détails.

Lentilles Alternatives

Les lentilles interchangeables Wide et Medium permettent au produit d'avoir d'autres angles de faisceau.

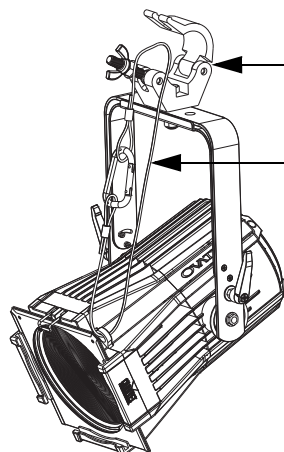
Tirez le bouton vers le haut pour libérer et changer l'objectif



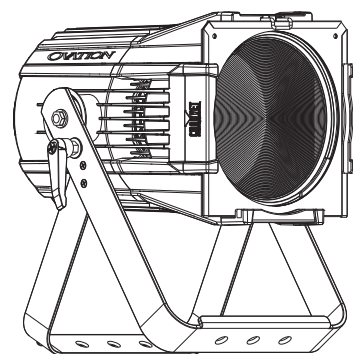
Installation

Avant de monter cet appareil, lisez et assimilez les [Consignes de Sécurité](#). Veillez à ce que les fixations sont capables de supporter le poids de l'unité. Découvrez notre gamme de fixations Chauvet sur <http://trusst.com/productcategory/truss-clamps/>.

Schéma de Montage de l'Appareil



Montage en Hauteur



Montage au Sol

Températures de couleur

Gamme DMX des températures de couleur

| Valeurs des Canaux DMX | Température de couleur | Valeurs des Canaux DMX | Température de couleur | Valeurs des Canaux DMX | Température de couleur |
|------------------------|------------------------|------------------------|------------------------|------------------------|------------------------|
| 000 ⇔ 005 | Pas de fonction/2800K | 083 ⇔ 090 | 3900–4000K | 167 ⇔ 174 | 5100–5200K |
| 006 ⇔ 013 | 2800–2900K | 090 ⇔ 097 | 4000–4100K | 174 ⇔ 181 | 5200–5300K |
| 013 ⇔ 020 | 2900–3000K | 097 ⇔ 104 | 4100–4200K | 181 ⇔ 188 | 5300–5400K |
| 020 ⇔ 027 | 3000–3100K | 104 ⇔ 111 | 4200–4300K | 188 ⇔ 195 | 5400–5500K |
| 027 ⇔ 034 | 3100–3200K | 111 ⇔ 118 | 4300–4400K | 195 ⇔ 202 | 5500–5600K |
| 034 ⇔ 041 | 3200–3300K | 118 ⇔ 125 | 4400–4500K | 202 ⇔ 209 | 5600–5700K |
| 041 ⇔ 048 | 3300–3400K | 125 ⇔ 132 | 4500–4600K | 209 ⇔ 216 | 5700–6000K |
| 048 ⇔ 055 | 3400–3500K | 132 ⇔ 139 | 4600–4700K | 216 ⇔ 223 | 6000–6500K |
| 055 ⇔ 062 | 3500–3600K | 139 ⇔ 146 | 4700–4800K | 223 ⇔ 230 | 6500–7000K |
| 062 ⇔ 069 | 3600–3700K | 146 ⇔ 153 | 4800–4900K | 230 ⇔ 237 | 7000–7500K |
| 069 ⇔ 076 | 3700–3800K | 153 ⇔ 160 | 4900–5000K | 237 ⇔ 244 | 7500–8000K |
| 076 ⇔ 083 | 3800–3900K | 160 ⇔ 167 | 5000–5100K | 244 ⇔ 255 | 8000K |

Gamme de valeurs des températures de couleur

| Affichage à l'Écran | Valeur Rouge | Valeur Orange | Valeur Vert | Valeur Bleu royal | Valeur Bleu | Valeur Lime |
|---------------------|--------------|---------------|-------------|-------------------|-------------|-------------|
| 2800K | 193 | 181 | 015 | 032 | 023 | 255 |
| 2900K | 184 | 172 | 024 | 036 | 025 | 255 |
| 3000K | 176 | 161 | 027 | 037 | 028 | 255 |
| 3100K | 167 | 156 | 030 | 042 | 034 | 255 |
| 3200K | 162 | 146 | 034 | 046 | 035 | 255 |
| 3300K | 157 | 140 | 039 | 048 | 040 | 255 |
| 3400K | 153 | 132 | 042 | 050 | 044 | 255 |
| 3500K | 149 | 128 | 046 | 053 | 047 | 255 |
| 3600K | 144 | 122 | 050 | 055 | 050 | 255 |
| 3700K | 140 | 118 | 053 | 057 | 054 | 255 |
| 3800K | 135 | 115 | 054 | 059 | 057 | 255 |
| 3900K | 132 | 111 | 056 | 063 | 062 | 255 |
| 4000K | 128 | 107 | 059 | 066 | 065 | 255 |
| 4100K | 125 | 105 | 062 | 068 | 067 | 255 |
| 4200K | 123 | 103 | 067 | 070 | 071 | 255 |
| 4300K | 120 | 101 | 071 | 072 | 074 | 255 |
| 4400K | 118 | 099 | 074 | 074 | 078 | 255 |
| 4500K | 116 | 097 | 079 | 077 | 080 | 255 |
| 4600K | 114 | 094 | 083 | 078 | 083 | 255 |
| 4700K | 112 | 092 | 087 | 080 | 085 | 255 |
| 4800K | 107 | 090 | 089 | 082 | 087 | 255 |
| 4900K | 105 | 088 | 092 | 085 | 089 | 255 |
| 5000K | 103 | 086 | 095 | 087 | 092 | 255 |
| 5100K | 101 | 084 | 099 | 088 | 094 | 255 |
| 5200K | 100 | 082 | 101 | 091 | 096 | 255 |
| 5300K | 099 | 079 | 104 | 095 | 097 | 255 |
| 5400K | 098 | 077 | 106 | 098 | 099 | 255 |
| 5500K | 097 | 079 | 108 | 102 | 102 | 255 |
| 5600K | 096 | 077 | 109 | 104 | 104 | 255 |
| 5700K | 095 | 076 | 110 | 106 | 106 | 255 |
| 6000K | 089 | 072 | 115 | 111 | 113 | 255 |
| 6500K | 081 | 066 | 120 | 121 | 120 | 255 |
| 7000K | 077 | 059 | 124 | 128 | 129 | 255 |
| 7500K | 073 | 054 | 127 | 136 | 136 | 255 |
| 8000K | 068 | 050 | 135 | 144 | 142 | 255 |



Les températures de couleur ci-dessus sont des rendus simulés de la sortie de couleur effectivement générée par comparaison avec une lampe tungstène à la température de couleur spécifiée. Chauvet ne donne aucune garantie sur la précision de la sortie de couleur.

Description du Tableau de Commandes

| Bouton | Fonction |
|---------|---|
| <MENU> | Permet la sortie du menu ou de la fonction en cours |
| <ENTER> | Permet l'affichage du menu en cours ou permet de configurer la valeur en cours dans la fonction sélectionnée |
| <UP> | Permet de parcourir les listes ou les menus vers le haut, dans une fonction permet d'augmenter les valeurs numériques |
| <DOWN> | Permet de parcourir les listes ou les menus vers le bas, dans une fonction permet de diminuer les valeurs numériques |

Tableau de Menu

| Menu Principal | Niveaux de Programmation | | | Description | | |
|----------------|--------------------------|--------------------|------------|--|--|--|
| DMX Address | 001-512* | | | Permet de sélectionner l'adresse de démarrage (*le canal le plus élevé est restreint à la personnalité choisie) | | |
| DMX Channel | 1 Ch | Color Temperature | ----K | 000-255 | 1-canaux: gradateur. Voir Températures de couleur Combine les couleurs rouge, orange, vert, bleu royal, bleu et lime pour un résultat personnalisé (0-100%) | |
| | | Manual Color Mixer | Red | | | |
| | | | Orange | | | |
| | | | Green | | | |
| | | | Royal Blue | | | |
| | | | Blue | | | |
| | Lime | | | | | |
| | 3 Ch | | | | 3-canaux: gradateur, température de couleur, teinte | |
| | 5 Ch | | | | 5-canaux: gradateur 16-bit, température de couleur, teinte, stroboscope | |
| | 6 Ch | | | | 6-canaux: rouge, orange, vert, bleu royal, bleu, lime | |
| 8 Ch | | | | 8-canaux: gradateur, rouge, orange, vert, bleu royal, bleu, lime, stroboscope | | |
| 11 Ch | | | | 11-canaux: gradateur, rouge, orange, vert, bleu royal, bleu, lime, stroboscope, température de couleur, teinte, mode gradation | | |
| 15 Ch | | | | 15-canaux: gradateur 16-bit, rouge, orange, vert, bleu royal, bleu et lime 16-bit, stroboscope | | |
| 17 Ch | | | | 17-canaux: gradateur 16-bit, rouge, orange, vert, bleu royal, bleu et lime 16-bit, stroboscope, température de couleur, teinte | | |
| Static | Color Temperature | 2800K | Dimmer | 000-255 | Permet de sélectionner le température de couleur, gradateur et teinte (vert/magenta) niveaux. Simule une lampe tungstène à la température de couleur spécifiée | |
| | | 2900K | | | | |
| | | 3000K | | | | |
| | | 3100K | | | | |
| | | 3200K | | | | |
| | | 3300K | | | | |
| | | 3400K | | | | |
| | | 3500K | | | | |
| | | 3600K | | | | |
| | | 3700K | | | | |
| | | 3800K | | | | |
| | | 3900K | | | | |
| | | 4000K | | | | |
| | | 4100K | | | | |
| | 4200K | Hue | -25-25 | | | |
| | 4300K | | | | | |
| | 4400K | | | | | |
| | 4500K | | | | | |
| | 4600K | | | | | |
| | 4700K | | | | | |

| Menu Principal | Niveaux de Programmation | | | Description | |
|--------------------|---------------------------------|--|---|--|--|
| Static (suite) | Color Temperature (suite) | 4800K | Dimmer | 000–255 | Permet de sélectionner la température de couleur, gradateur et teinte (vert/magenta) niveaux. Simule une lampe tungstène à la température de couleur spécifiée |
| | | 4900K | | | |
| | | 5000K | | | |
| | | 5100K | | | |
| | | 5200K | | | |
| | | 5300K | | | |
| | | 5400K | | | |
| | | 5500K | | | |
| | | 5600K | | | |
| | | 5700K | | | |
| | Manual Color Mixer | Red | Hue | -25–25 | |
| | | Orange | | | |
| | | Green | | | |
| | | Royal Blue | | | |
| | | Blue | | | |
| Manual Color Mixer | Lime | <000–255> | Combine les couleurs rouge, orange, vert, bleu royal, bleu et lime pour un résultat personnalisé (0–100%) | | |
| | Blue | | | | |
| | Royal Blue | | | | |
| | Green | | | | |
| | Orange | | | | |
| Master/Slave | Master | | | Mode DMX (Maître) | |
| | Slave | | | Mode esclave | |
| Dimmer Mode | Off | | | Gradateur linéaire | |
| | Dimmer 1–3 | | | Courbes de gradation rapide (Dimmer 1) à lent (Dimmer 3) | |
| White Balance | Off | | | Utilise le paramétrage de blanc défini en usine | |
| | Manual | Red | <125–255> | Définit la valeur maximale de LED rouge | |
| | | Orange | | Définit la valeur maximale de LED orange | |
| | | Green | | Définit la valeur maximale de LED vert | |
| | | Royal Blue | | Définit la valeur maximale de LED bleu royal | |
| | | Blue | | Définit la valeur maximale de LED bleu | |
| Manual | Lime | Définit la valeur maximale de LED lime | | | |
| LED Frequency | 600Hz | | | Permet de sélectionner la fréquence de sortie MLI | |
| | 1200Hz | | | | |
| | 2000Hz | | | | |
| | 4000Hz | | | | |
| | 6000Hz | | | | |
| | 25KHz | | | | |
| Fan Mode | Auto | | | Réglez le ventilateur en mode automatique | |
| | On | | | Réglez le mode de ventilateur toujours | |
| | Off | | | Règle le ventilateur sur toujours | |
| | Silent | | | Règle le ventilateur sur silencieux | |
| Back Light | 10S | | | Désactive l'affichage rétro-éclairage après 10 secondes d'inactivité | |
| | 30S | | | Désactive l'affichage rétro-éclairage après 30 secondes d'inactivité | |
| | 2min | | | Désactive l'affichage rétro-éclairage après 2 minutes d'inactivité | |
| | Always On | | | Affichage rétro-éclairage toujours active | |
| Information | Fixture Hours | <_ _ _ _H> | | Affiche le nombre total des heures du produit | |
| | Version | <V_._> | | Affiche la version du logiciel installée | |
| | UID | <_ _ _ _ _ _ _ _ _ _> | | Affiche UID actuel | |
| Reset Factory | No | | | Permet de réinitialiser aux valeurs par défaut d'usine | |
| | Yes | | | | |

Valeurs DMX
17 Ch

| Canal | Fonction | Valeur | Pourcentage/Configuration |
|-------|------------------------|------------------------|---|
| 1 | Gradateur | 000 ⇔ 255 | 0–100% |
| 2 | Gradateur fin | 000 ⇔ 255 | 0–100% |
| 3 | Rouge | 000 ⇔ 255 | 0–100% |
| 4 | Rouge fin | 000 ⇔ 255 | 0–100% |
| 5 | Orange | 000 ⇔ 255 | 0–100% |
| 6 | Orange fin | 000 ⇔ 255 | 0–100% |
| 7 | Vert | 000 ⇔ 255 | 0–100% |
| 8 | Vert fin | 000 ⇔ 255 | 0–100% |
| 9 | Bleu royal | 000 ⇔ 255 | 0–100% |
| 10 | Bleu royal fin | 000 ⇔ 255 | 0–100% |
| 11 | Bleu | 000 ⇔ 255 | 0–100% |
| 12 | Bleu fin | 000 ⇔ 255 | 0–100% |
| 13 | Lime | 000 ⇔ 255 | 0–100% |
| 15 | Lime fin | 000 ⇔ 255 | 0–100% |
| 15 | Stroboscope | 000 ⇔ 010 011 ⇔ 255 | Pas de fonction Stroboscope, lent à rapide |
| 16 | Température de couleur | 000 ⇔ 255 | Consultez Gamme DMX des températures de couleur |
| 17 | Teinte | 000 ⇔ 255 | -25–25 |

15 Ch

| Canal | Fonction | Valeur | Pourcentage/Configuration |
|-------|----------------|------------------------|---|
| 1 | Gradateur | 000 ⇔ 255 | 0–100% |
| 2 | Gradateur fin | 000 ⇔ 255 | 0–100% |
| 3 | Rouge | 000 ⇔ 255 | 0–100% |
| 4 | Rouge fin | 000 ⇔ 255 | 0–100% |
| 5 | Orange | 000 ⇔ 255 | 0–100% |
| 6 | Orange fin | 000 ⇔ 255 | 0–100% |
| 7 | Vert | 000 ⇔ 255 | 0–100% |
| 8 | Vert fin | 000 ⇔ 255 | 0–100% |
| 9 | Bleu royal | 000 ⇔ 255 | 0–100% |
| 10 | Bleu royal fin | 000 ⇔ 255 | 0–100% |
| 11 | Bleu | 000 ⇔ 255 | 0–100% |
| 12 | Bleu fin | 000 ⇔ 255 | 0–100% |
| 13 | Lime | 000 ⇔ 255 | 0–100% |
| 15 | Lime fin | 000 ⇔ 255 | 0–100% |
| 15 | Stroboscope | 000 ⇔ 010 011 ⇔ 255 | Pas de fonction Stroboscope, lent à rapide |

FR

11 Ch

| Canal | Fonction | Valeur | Pourcentage/Configuration |
|-------|------------------------|---|--|
| 1 | Gradateur | 000 ⇔ 255 | 0–100% |
| 2 | Rouge | 000 ⇔ 255 | 0–100% |
| 3 | Orange | 000 ⇔ 255 | 0–100% |
| 4 | Vert | 000 ⇔ 255 | 0–100% |
| 5 | Bleu royal | 000 ⇔ 255 | 0–100% |
| 6 | Bleu | 000 ⇔ 255 | 0–100% |
| 7 | Lime | 000 ⇔ 255 | 0–100% |
| 8 | Stroboscope | 000 ⇔ 010 011 ⇔ 255 | Pas de fonction Stroboscope, lent à rapide |
| 9 | Température de couleur | 000 ⇔ 255 | Consultez Gamme DMX des températures de couleur |
| 10 | Teinte | 000 ⇔ 255 | -25–25 |
| 11 | Mode du Gradateur* | 000 ⇔ 051 052 ⇔ 101 102 ⇔ 152 153 ⇔ 203 204 ⇔ 255 | Mode vitesse gradateur actuel Gradateur linéaire Courbe de gradation non linéaire 1 (le plus rapide) Courbe de gradation non linéaire 2 Courbe de gradation non linéaire 3 (le moins rapide) |



* Maintenez la valeur souhaitée de mode de gradateur pendant 3 secondes, puis relâchez. Cela modifie le réglage de la mode de gradateur dans le menu.

8 Ch

| Canal | Fonction | Valeur | Pourcentage/Configuration |
|-------|-------------|------------------------|---|
| 1 | Gradateur | 000 ⇔ 255 | 0–100% |
| 2 | Rouge | 000 ⇔ 255 | 0–100% |
| 3 | Orange | 000 ⇔ 255 | 0–100% |
| 4 | Vert | 000 ⇔ 255 | 0–100% |
| 5 | Bleu royal | 000 ⇔ 255 | 0–100% |
| 6 | Bleu | 000 ⇔ 255 | 0–100% |
| 7 | Lime | 000 ⇔ 255 | 0–100% |
| 8 | Stroboscope | 000 ⇔ 010 011 ⇔ 255 | Pas de fonction Stroboscope, lent à rapide |

6 Ch

| Canal | Fonction | Valeur | Pourcentage/Configuration |
|-------|------------|-----------|---------------------------|
| 1 | Rouge | 000 ⇔ 255 | 0–100% |
| 2 | Orange | 000 ⇔ 255 | 0–100% |
| 3 | Vert | 000 ⇔ 255 | 0–100% |
| 4 | Bleu royal | 000 ⇔ 255 | 0–100% |
| 5 | Bleu | 000 ⇔ 255 | 0–100% |
| 6 | Lime | 000 ⇔ 255 | 0–100% |

5 Ch

| Canal | Fonction | Valeur | Pourcentage/Configuration |
|-------|------------------------|------------------------|---|
| 1 | Gradateur | 000 ⇔ 255 | 0–100% |
| 2 | Gradateur fin | 000 ⇔ 255 | 0–100% |
| 3 | Température de couleur | 000 ⇔ 255 | Consultez Gamme DMX des températures de couleur |
| 4 | Teinte | 000 ⇔ 255 | -25–25 |
| 5 | Stroboscope | 000 ⇔ 010 011 ⇔ 255 | Pas de fonction Stroboscope, lent à rapide |

3 Ch

| Canal | Fonction | Valeur | Pourcentage/Configuration |
|-------|------------------------|-----------|---|
| 1 | Gradateur | 000 ⇔ 255 | 0–100% |
| 2 | Température de couleur | 000 ⇔ 255 | Consultez Gamme DMX des températures de couleur |
| 3 | Teinte | 000 ⇔ 255 | -25–25 |

1 Ch

| Canal | Fonction | Valeur | Pourcentage/Configuration |
|-------|-----------|-----------|---|
| 1 | Gradateur | 000 ⇔ 255 | 0–100%, définie la couleur depuis le menu |

Über diese Schnellanleitung

In der Schnellanleitung des Ovation P-56VW finden Sie die wesentlichen Produktinformationen, wie etwa über den Anschluss, die Montage, Menüoptionen und DMX-Werte des Geräts. Laden Sie für weiterführende Informationen unter www.chauvetprofessional.com das Benutzerhandbuch herunter.

Haftungsausschluss

Die in dieser Anleitung aufgeführten Informationen und Spezifikationen können ohne vorherige Ankündigung geändert werden.

EINGESCHRÄNKTE GARANTIE

ZUR REGISTRIERUNG FÜR GARANTIEANSPRÜCHE UND ZUR EINSICHT IN DIE VOLLSTÄNDIGEN GESCHÄFTSBEDINGUNGEN BESUCHEN SIE BITTE UNSERE WEBSITE.

Für Kunden in den USA und in Mexiko: www.chauvetlighting.com/warranty-registration.

Für Kunden im Vereinigten Königreich, in Irland, Belgien, den Niederlanden, Luxemburg, Frankreich und Deutschland: www.chauvetlighting.eu/warranty-registration/.

Chauvet garantiert für die in der auf unserer Website veröffentlichten vollständigen eingeschränkten Garantie genannten Dauer und unter Vorbehalt der darin genannten Haftungsausschlüsse und -beschränkungen, dass dieses Produkt bei normalen Gebrauch frei von Material- und Verarbeitungsfehlern ist. Diese Garantie erstreckt sich nur auf den Erstkäufer des Produkts und ist nicht übertragbar. Zur Ausübung der unter dieser Garantie gewährten Rechte ist der Kaufbeleg in Form der Originalrechnung von einem autorisierten Händler vorzulegen, in der die Produktbezeichnung und das Kaufdatum vermerkt sein müssen. ES BESTEHEN KEINE WEITEREN AUSDRÜCKLICHEN ODER STILLSCHWEIGENDEN GARANTIEN. Diese Garantie gibt Ihnen besondere gesetzliche Rechte. Und Sie haben möglicherweise weitere Rechte, die von Land zu Land unterschiedlich sein können. Diese Garantie ist nur in den USA, im Vereinigten Königreich, in Irland, Belgien, den Niederlanden, Luxemburg, Frankreich, Deutschland und Mexiko gültig. Bezüglich der Garantiebestimmungen in anderen Ländern wenden Sie sich bitte an Ihren lokalen Händler.

Sicherheitshinweise

- Dieses Gerät NICHT öffnen. Die eingebauten Komponenten sind für den Kunden wartungsfrei.
- Um unnötigen Verschleiß zu vermeiden und die Lebensdauer des Geräts zu verlängern, trennen Sie während längerer Perioden des Nichtgebrauchs das Gerät vom Stromnetz – entweder per Trennschalter oder durch Herausziehen des Steckers aus der Steckdose.
- NIEMALS in die Lichtquelle schauen, während das Gerät eingeschaltet ist.
- VORSICHT: Das Gehäuse dieses Produkts kann während des Betriebs heiß werden. Installieren Sie das Gerät an einem Ort mit ausreichender Belüftung und mit einem Abstand von mindestens 50 cm zu den angrenzenden Flächen.
- Belassen Sie KEINE entflammaren Materialien in einem Umkreis von 50 cm dieses Geräts, während es in Betrieb oder an der Stromversorgung angeschlossen ist.
- VORSICHT: Beim Transport des Geräts von einer Umgebung mit außergewöhnlichen Temperaturen in eine andere solche Umgebung (z. B. aus einem kalten Transporter in einen warm-feuchten Ballsaal) kann an der im Gerät enthaltenen Elektronik Wasser kondensieren. Um einen Defekt zu vermeiden, muss sich das Gerät erst in der neuen Umgebung akklimatisiert haben, bevor es an die Stromversorgung angeschlossen werden kann.
- VERWENDEN Sie bei Montage über Kopf immer ein Sicherheitsseil.
- Nehmen sie das Gerät NICHT im Freien oder an einem Ort in Betrieb, der durch Staubentwicklung, übermäßige Hitze, Wasser oder hohe Luftfeuchtigkeit charakterisiert ist. (IP20).
- NIEMALS das Gerät in Betrieb nehmen, wenn Ihnen das Gehäuse, die Linsen oder das Kabel beschädigt erscheinen.
- Schließen Sie dieses Gerät NICHT an einen Dimmer oder Regelwiderstand an.
- Schließen Sie dieses Produkt NUR an einen mit der Erde verbundenen und geschützten Stromkreis an.
- Das Gerät NUR an den Hänge-/Befestigungsbügeln oder Griffen tragen.
- Bei ernsthaften Betriebsproblemen stoppen Sie umgehend die Verwendung des Geräts.
- Die maximal zulässige Umgebungstemperatur beträgt 45 °C. Nehmen Sie das Gerät nicht bei höheren Temperaturen in Betrieb.

Kontakt

Kunden außerhalb der USA, GB, Irland, Benelux, Frankreich, Deutschland oder Mexiko wenden sich an ihren Lieferanten, um den Kundensupport in Anspruch zu nehmen oder ein Produkt zurückzuschicken. Kontaktinformationen finden Sie im [Contact Us](#) am Ende dieses QRG.

Packungsinhalt

- Ovation P-56VW
- Netzkabel Neutrik® powerCON®
- Gel-Rahmen (Zubehör für 7,5"/191 mm)
- Linsen mit weitem und mittlerem Winkel
- Schnellanleitung

Wechselstrom

Dieses Gerät verfügt über ein Vorschaltgerät, das automatisch die anliegende Spannung erkennt, sobald der Netzstecker in die Schukosteckdose gesteckt wird, und kann mit einer Eingangsspannung von 100~240 V AC, 50/60 Hz arbeiten.

Serienschaltung der Geräte

Sie können bis zu 11 Ovation P-56VW Geräte bei 120 V AC, 18 Geräte bei 208 V und 20 Geräte bei 230 V AC in Serie schalten. Diese Anzahl niemals überschreiten! Stromkabel für die Serienschaltung können separat erworben werden.

Wechselstromstecker

| Anschluss | Draht (USA) | Draht (Europa) | Schraubenfarbe |
|--------------------------|-------------|----------------|--------------------|
| Stromführender AC-Leiter | Schwarz | Braun | Gelb/Messingfarben |
| AC-Neutralleiter | Weiß | Blau | Silber |
| AC-Erdungsleiter | Grün/Gelb | Grün/Gelb | Grün |



Um Verschleiß zu vermeiden und die Lebensdauer des Geräts zu verlängern, trennen Sie während längerer Perioden des Nichtgebrauchs das Gerät vom Stromnetz – entweder per Trennschalter oder durch Herausziehen des Steckers aus der Steckdose.

Auswechseln der Sicherung

1. Trennen Sie das Gerät vom Stromnetz.
2. Mit einem Flachkopfschraubendreher lösen Sie die Abdeckung des Sicherungshalters vom Gehäuse.
3. Entfernen Sie die durchgebrannte Sicherung, und ersetzen Sie diese durch eine Sicherung des gleichen Typs und mit den gleichen Werten.
4. Schrauben Sie die Abdeckung der Sicherung wieder ein, und schließen Sie das Gerät wieder an das Stromnetz an.

DMX-Verbindung

De Ovation P-56VW kann mit einem DMX-Controller betrieben werden, wenn eine 5-polige DMX-Datenverbindung zum Einsatz kommt. Sie können sich eine Einführung in DMX unter www.chauvetprofessional.com herunterladen.

DMX-Anschluss

Der Ovation P-56VW nutzt zur Steuerung seiner DMX-Eigenschaften eine 5-polige DMX-Datenverbindung: **1 Ch, 3 Ch, 5 Ch, 6 Ch, 8 Ch, 11 Ch, 15 Ch** und **17 Ch**. Informationen zum Anschließen und Konfigurieren des Geräts für einen DMX-Betrieb finden Sie in der Bedienungsanleitung.

Master/Slave-Schaltung

Der Ovation P-56VW verwendet für seinen Master/Slave-Modus eine DMX-Datenverbindung. Informationen zum Anschließen und Konfigurieren des Geräts für einen Master/Slave-Betrieb finden Sie in der Bedienungsanleitung.

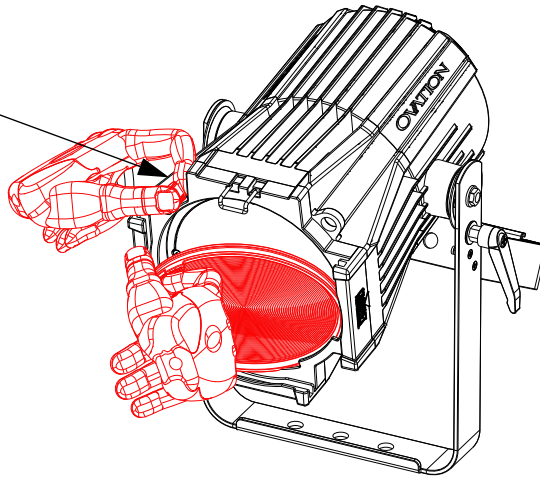
RDM (Remote Device Management)

Remote Device Management bzw. RDM ist ein Standard, mit dem DMX-aktivierte Geräte bidirektional entlang bestehender DMX-Kabel kommunizieren können. Der Ovation P-56VW unterstützt das RDM-Protokoll, über das Feedback zur Überwachung der Änderungen der Menüoptionen gegeben wird. Laden Sie für weiterführende Informationen unter www.chauvetprofessional.com das Benutzerhandbuch herunter.

Alternative Linsen

Die austauschbaren Wide und Medium Objektive ermöglichen dem Produkt alternative Ausstrahlwinkel.

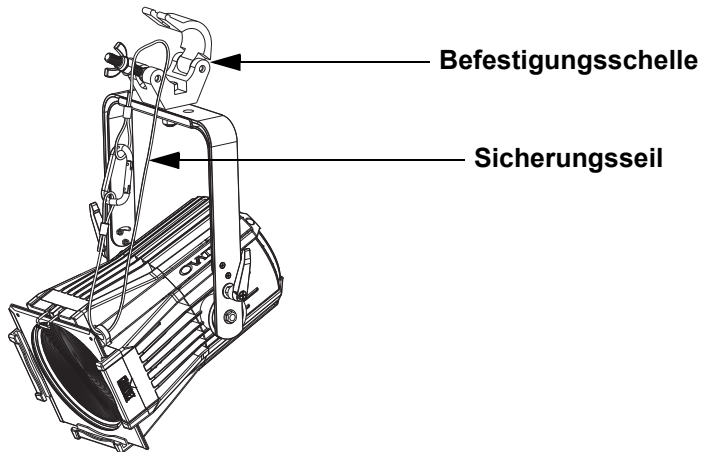
Ziehen Sie den Knopf nach oben, um das Objektiv zu lösen und zu wechseln



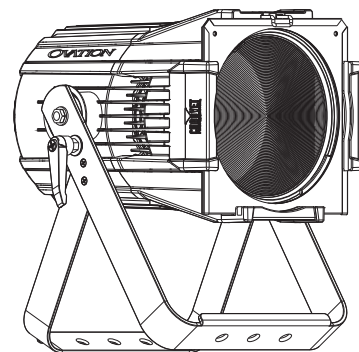
Montage

Lesen Sie vor der Montage dieses Geräts die [Sicherheitshinweise](#). Mindestens einen Befestigungspunkt pro Gerät verwenden. Stellen Sie sicher, dass die Befestigungsklemmen dafür ausgelegt sind, das Produktgewicht tragen zu können. Informationen zu unserer CHAUVET-Produktlinie für Befestigungsklemmen finden Sie unter <http://trusst.com/productcategory/truss-clamps/>.

Ansicht Gerätemontage



Montageansicht



Bodenmontage

Farbtemperatur

Farbtemperatur-DMX-Tabelle

| DMX-Kanal-Wert | Farbtemperatur | DMX-Kanal-Wert | Farbtemperatur | DMX-Kanal-Wert | Farbtemperatur |
|----------------|----------------------|----------------|----------------|----------------|----------------|
| 000 ⇔ 005 | Keine Funktion/2800K | 083 ⇔ 090 | 3900–4000K | 167 ⇔ 174 | 5100–5200K |
| 006 ⇔ 013 | 2800–2900K | 090 ⇔ 097 | 4000–4100K | 174 ⇔ 181 | 5200–5300K |
| 013 ⇔ 020 | 2900–3000K | 097 ⇔ 104 | 4100–4200K | 181 ⇔ 188 | 5300–5400K |
| 020 ⇔ 027 | 3000–3100K | 104 ⇔ 111 | 4200–4300K | 188 ⇔ 195 | 5400–5500K |
| 027 ⇔ 034 | 3100–3200K | 111 ⇔ 118 | 4300–4400K | 195 ⇔ 202 | 5500–5600K |
| 034 ⇔ 041 | 3200–3300K | 118 ⇔ 125 | 4400–4500K | 202 ⇔ 209 | 5600–5700K |
| 041 ⇔ 048 | 3300–3400K | 125 ⇔ 132 | 4500–4600K | 209 ⇔ 216 | 5700–6000K |
| 048 ⇔ 055 | 3400–3500K | 132 ⇔ 139 | 4600–4700K | 216 ⇔ 223 | 6000–6500K |
| 055 ⇔ 062 | 3500–3600K | 139 ⇔ 146 | 4700–4800K | 223 ⇔ 230 | 6500–7000K |
| 062 ⇔ 069 | 3600–3700K | 146 ⇔ 153 | 4800–4900K | 230 ⇔ 237 | 7000–7500K |
| 069 ⇔ 076 | 3700–3800K | 153 ⇔ 160 | 4900–5000K | 237 ⇔ 244 | 7500–8000K |
| 076 ⇔ 083 | 3800–3900K | 160 ⇔ 167 | 5000–5100K | 244 ⇔ 255 | 8000K |

Farbtemperatur-Werte-Tabelle

| Anzeige auf Display | Roter Wert | Orange Wert | Grüner Wert | Königsblauer Wert | Blauer Wert | Neongrüner Wert |
|---------------------|------------|-------------|-------------|-------------------|-------------|-----------------|
| 2800K | 193 | 181 | 015 | 032 | 023 | 255 |
| 2900K | 184 | 172 | 024 | 036 | 025 | 255 |
| 3000K | 176 | 161 | 027 | 037 | 028 | 255 |
| 3100K | 167 | 156 | 030 | 042 | 034 | 255 |
| 3200K | 162 | 146 | 034 | 046 | 035 | 255 |
| 3300K | 157 | 140 | 039 | 048 | 040 | 255 |
| 3400K | 153 | 132 | 042 | 050 | 044 | 255 |
| 3500K | 149 | 128 | 046 | 053 | 047 | 255 |
| 3600K | 144 | 122 | 050 | 055 | 050 | 255 |
| 3700K | 140 | 118 | 053 | 057 | 054 | 255 |
| 3800K | 135 | 115 | 054 | 059 | 057 | 255 |
| 3900K | 132 | 111 | 056 | 063 | 062 | 255 |
| 4000K | 128 | 107 | 059 | 066 | 065 | 255 |
| 4100K | 125 | 105 | 062 | 068 | 067 | 255 |
| 4200K | 123 | 103 | 067 | 070 | 071 | 255 |
| 4300K | 120 | 101 | 071 | 072 | 074 | 255 |
| 4400K | 118 | 099 | 074 | 074 | 078 | 255 |
| 4500K | 116 | 097 | 079 | 077 | 080 | 255 |
| 4600K | 114 | 094 | 083 | 078 | 083 | 255 |
| 4700K | 112 | 092 | 087 | 080 | 085 | 255 |
| 4800K | 107 | 090 | 089 | 082 | 087 | 255 |
| 4900K | 105 | 088 | 092 | 085 | 089 | 255 |
| 5000K | 103 | 086 | 095 | 087 | 092 | 255 |
| 5100K | 101 | 084 | 099 | 088 | 094 | 255 |
| 5200K | 100 | 082 | 101 | 091 | 096 | 255 |
| 5300K | 099 | 079 | 104 | 095 | 097 | 255 |
| 5400K | 098 | 077 | 106 | 098 | 099 | 255 |
| 5500K | 097 | 079 | 108 | 102 | 102 | 255 |
| 5600K | 096 | 077 | 109 | 104 | 104 | 255 |
| 5700K | 095 | 076 | 110 | 106 | 106 | 255 |
| 6000K | 089 | 072 | 115 | 111 | 113 | 255 |
| 6500K | 081 | 066 | 120 | 121 | 120 | 255 |
| 7000K | 077 | 059 | 124 | 128 | 129 | 255 |
| 7500K | 073 | 054 | 127 | 136 | 136 | 255 |
| 8000K | 068 | 050 | 135 | 144 | 142 | 255 |



Die oben genannten Farbtemperaturen sind simulierte Ähnlichkeiten der Farbausgabe im Vergleich zu einer Wolframlampe mit spezifizierter Farbtemperatur. Chauvet gibt keine Gewährleistung bezüglich der Genauigkeit der Farbausgabe.

Descripción del Panel de Control

| Taste | Funktion |
|---------|---|
| <MENU> | Damit verlassen Sie das aktuelle Menü oder die Funktion |
| <ENTER> | Damit wird das aktuell angezeigte Menü aktiviert oder der aktuell ausgewählte Wert einer Funktion eingestellt |
| <UP> | Damit navigieren Sie sich durch die Menüpunkte nach oben und erhöhen den numerischen Wert der entsprechenden Funktion |
| <DOWN> | Damit navigieren Sie sich durch die Menüpunkte nach unten und verringern den numerischen Wert der entsprechenden Funktion |

Menüstruktur

| Hauptebene | Programmirebenen | | | Beschreibung | |
|-------------|-------------------|--------------------|--|--|--|
| DMX Address | 001–512* | | | Wählt die DMX-Adresse aus (*der höchste Kanal ist auf die gewählte Eigenschaft beschränkt) | |
| DMX Channel | 1 Ch | Color Temperature | ---_K | 1-Kanal: Dimmer. Siehe Farbtemperatur | |
| | | Manual Color Mixer | Red | 000–255 | Kombiniert rote, orange, grüne, königsblaue, blaue und neongrüne Farben zu einer benutzerdefinierten Farbe (0–100%) |
| | | | Orange | | |
| | | | Green | | |
| | | | Royal Blue | | |
| | Blue | | | | |
| | | | Lime | | |
| | | 3 Ch | | 3-Kanal: Dimmer, Farbtemperatur, Farbton | |
| | | 5 Ch | | 5-Kanal: Dimmer, 16-Bit-Dimmer, Farbtemperatur, Farbton, Stroboskopeffekt | |
| | | 6 Ch | | 6-Kanal: Rot, Orange, Grüne, Königsblau, Blau, Neongrün | |
| | 8 Ch | | 8-Kanal: Dimmer, Rot, Orange, Grüne, Königsblau, Blau, Neongrün, Stroboskopeffekt | | |
| | 11 Ch | | 11-Kanal: Dimmer, Rot, Orange, Grüne, Königsblau, Blau, Neongrün, Stroboskopeffekt, Farbtemperatur, Farbton, Dimmungs-Geschwindigkeits-Modus | | |
| | 15 Ch | | 15-Kanal: 16-Bit-Dimmer, Rot, Orange, Grüne, Königsblau, Blau, und Neongrün, Stroboskopeffekt | | |
| | 17 Ch | | 17-Kanal: 16-Bit-Dimmer, Rot, Orange, Grüne, Königsblau, Blau, und Neongrün, Stroboskopeffekt, Farbtemperatur, Farbton | | |
| Static | Color Temperature | 2800K | Dimmer | 000–255 | Stellt die Werte für Farbtemperatur, Dimmer und Farbton (grün/magenta) ein. Bildet eine Wolframlampe mit der spezifizierten Farbtemperatur ab. |
| | | 2900K | | | |
| | | 3000K | | | |
| | | 3100K | | | |
| | | 3200K | | | |
| | | 3300K | | | |
| | | 3400K | | | |
| | | 3500K | | | |
| | | 3600K | | | |
| | | 3700K | | | |
| | 3800K | | | | |
| | 3900K | | | | |
| | 4000K | | | | |
| | 4100K | | | | |
| | 4200K | | | | |
| | 4300K | | | | |
| | 4400K | | | | |
| | 4500K | | | | |
| | 4600K | | | | |
| | 4700K | | | | |
| 4800K | | | | | |
| 4900K | | | | | |
| | | Hue | -25–25 | | |

| Hauptebene | Programmirebenen | | | Beschreibung | |
|-------------------------|--|--------------------|-----------|---|--|
| Static (Fortsetzung) | Color Temperature (Fortsetzung) | 5000K | Dimmer | 000–255 | Stellt die Werte für Farbtemperatur, Dimmer und Farbton (grün/magenta) ein. Bildet eine Wolframlampe mit der spezifizierten Farbtemperatur ab. |
| | | 5100K | | | |
| | | 5200K | | | |
| | | 5300K | | | |
| | | 5400K | | | |
| | | 5500K | | | |
| | | 5600K | | | |
| | | 5700K | | | |
| | | 6000K | | | |
| | | 6500K | | | |
| | 7000K | | | | |
| | 7500K | | | | |
| | 8000K | | | | |
| | | Manual Color Mixer | Red | Hue | |
| Orange | | | | | |
| Green | | | | | |
| Royal Blue | | | | | |
| Blue | | | | | |
| Lime | | | | | |
| | Manual Color Mixer | Red | 000–255 | Kombiniert rote, orange, grüne, königsblaue, blaue und neongrüne Farben zu einer benutzerdefinierten Farbe (0–100%) | |
| Orange | | | | | |
| Green | | | | | |
| Royal Blue | | | | | |
| Blue | | | | | |
| Lime | | | | | |
| Master/Slave | Master | | | DMX-Modus (Master) | |
| | Slave | | | Slave-Modus | |
| | Off | | | Linearer Dimmer | |
| Dimmer Mode | Dimmer 1–3 | | | Dimmungskurven Dimmer 1 (schnell) nach Dimmer 3 (langsam) | |
| White Balance | Off | | | Verwendet die werksseitig voreingestellte Standardeinstellung "Weiß" | |
| | Manual | Red | <125–255> | Stellt den maximalen Wert der roten LED ein | |
| | | Orange | | Stellt den maximalen Wert der orange LED ein | |
| | | Green | | Stellt den maximalen Wert der grünen LED ein | |
| | | Royal Blue | | Stellt den maximalen Wert der Königsblau LED ein | |
| | | Blue | | Stellt den maximalen Wert der blauen LED ein | |
| Lime | Stellt den maximalen Wert der neongrünen LED ein | | | | |
| LED Frequency | 600Hz | | | Stellt die PWM-Frequenz ein | |
| | 1200Hz | | | | |
| | 2000Hz | | | | |
| | 4000Hz | | | | |
| | 6000Hz | | | | |
| | 25KHz | | | | |
| Fan Mode | Auto | | | Stellt den Lüfter auf den Auto-Modus ein | |
| | On | | | Stellt den Lüfter auf den "immer eingeschaltet"-Modus ein | |
| | Off | | | Setzt den Lüfter auf immer aus | |
| | Silent | | | Stellt den Lüfter auf lautlos | |
| Back Light | 10S | | | Damit wird die Hintergrundbeleuchtung der Anzeige nach 10 Sekunden Inaktivität ausgeschaltet | |
| | 30S | | | Damit wird die Hintergrundbeleuchtung der Anzeige nach 30 Sekunden Inaktivität ausgeschaltet | |
| | 2min | | | Damit wird die Hintergrundbeleuchtung der Anzeige nach 2 Minuten Inaktivität ausgeschaltet | |
| | Always On | | | Hintergrundbeleuchtung immer an | |
| Information | Fixture Hours | <_ _ _ _H> | | Zeigt an, wie lange das Gerät eingeschaltet gewesen ist | |
| | Version | <V_ _> | | Zeigt die aktuelle Firmware-Version an | |
| | UID | <_ _ _ _ _ _> | | Zeigt die Geräte-UID an | |
| Reset Factory | No | | | Damit stellen Sie das Gerät auf die Werkseinstellungen zurück | |
| | Yes | | | | |

DE

DMX-Werte

17 Ch

| Kanal | Funktion | Wert | Prozent/Einstellung |
|-------|-------------------|------------------------|---|
| 1 | Dimmer | 000 ⇔ 255 | 0–100% |
| 2 | Fein Dimmer | 000 ⇔ 255 | 0–100% |
| 3 | Rot | 000 ⇔ 255 | 0–100% |
| 4 | Feines Rot | 000 ⇔ 255 | 0–100% |
| 5 | Orange | 000 ⇔ 255 | 0–100% |
| 6 | Feine Orange | 000 ⇔ 255 | 0–100% |
| 7 | Grün | 000 ⇔ 255 | 0–100% |
| 8 | Fein Grün | 000 ⇔ 255 | 0–100% |
| 9 | Königsblau | 000 ⇔ 255 | 0–100% |
| 10 | Feines Königsblau | 000 ⇔ 255 | 0–100% |
| 11 | Blau | 000 ⇔ 255 | 0–100% |
| 12 | Fein Blau | 000 ⇔ 255 | 0–100% |
| 13 | Neongrün | 000 ⇔ 255 | 0–100% |
| 15 | Feines Neongrün | 000 ⇔ 255 | 0–100% |
| 15 | Stroboskop | 000 ⇔ 010 011 ⇔ 255 | Keine Funktion Blitzfrequenz, langsam nach schnell |
| 16 | Farbtemperatur | 000 ⇔ 255 | Siehe Farbtemperatur-DMX-Tabelle |
| 17 | Farbton | 000 ⇔ 255 | -25–25 |

15 Ch

| Kanal | Funktion | Wert | Prozent/Einstellung |
|-------|-------------------|------------------------|---|
| 1 | Dimmer | 000 ⇔ 255 | 0–100% |
| 2 | Fein Dimmer | 000 ⇔ 255 | 0–100% |
| 3 | Rot | 000 ⇔ 255 | 0–100% |
| 4 | Feines Rot | 000 ⇔ 255 | 0–100% |
| 5 | Orange | 000 ⇔ 255 | 0–100% |
| 6 | Feine Orange | 000 ⇔ 255 | 0–100% |
| 7 | Grün | 000 ⇔ 255 | 0–100% |
| 8 | Fein Grün | 000 ⇔ 255 | 0–100% |
| 9 | Königsblau | 000 ⇔ 255 | 0–100% |
| 10 | Feines Königsblau | 000 ⇔ 255 | 0–100% |
| 11 | Blau | 000 ⇔ 255 | 0–100% |
| 12 | Fein Blau | 000 ⇔ 255 | 0–100% |
| 13 | Neongrün | 000 ⇔ 255 | 0–100% |
| 15 | Feines Neongrün | 000 ⇔ 255 | 0–100% |
| 15 | Stroboskop | 000 ⇔ 010 011 ⇔ 255 | Keine Funktion Blitzfrequenz, langsam nach schnell |

11 Ch

| Kanal | Funktion | Wert | Prozent/Einstellung |
|-------|-------------------------------|---|--|
| 1 | Dimmer | 000 ⇔ 255 | 0–100% |
| 2 | Rot | 000 ⇔ 255 | 0–100% |
| 3 | Orange | 000 ⇔ 255 | 0–100% |
| 4 | Grün | 000 ⇔ 255 | 0–100% |
| 5 | Königsblau | 000 ⇔ 255 | 0–100% |
| 6 | Blau | 000 ⇔ 255 | 0–100% |
| 7 | Neongrün | 000 ⇔ 255 | 0–100% |
| 8 | Stroboskop | 000 ⇔ 010 011 ⇔ 255 | Keine Funktion Blitzfrequenz, langsam nach schnell |
| 9 | Farbtemperatur | 000 ⇔ 255 | Siehe Farbtemperatur-DMX-Tabelle |
| 10 | Farbton | 000 ⇔ 255 | -25–25 |
| 11 | Dimmungs- geschwindigkeit* | 000 ⇔ 051 052 ⇔ 101 102 ⇔ 152 153 ⇔ 203 204 ⇔ 255 | Aktuelle Dimmergeschwindigkeit Dimmer-Geschwindigkeits-Modus aus Dimmer-Geschwindigkeits-Modus 1 (schnellste) Dimmer-Geschwindigkeits-Modus 2 Dimmer-Geschwindigkeits-Modus 3 (langsamste) |



*Gewünschte Dimmungsgeschwindigkeit für 3 Sekunden halten und dann loslassen. Damit wird die Einstellung der Dimmungsgeschwindigkeit im Menü geändert.

8 Ch

| Kanal | Funktion | Wert | Prozent/Einstellung |
|-------|------------|------------------------|---|
| 1 | Dimmer | 000 ⇔ 255 | 0–100% |
| 2 | Rot | 000 ⇔ 255 | 0–100% |
| 3 | Orange | 000 ⇔ 255 | 0–100% |
| 4 | Grün | 000 ⇔ 255 | 0–100% |
| 5 | Königsblau | 000 ⇔ 255 | 0–100% |
| 6 | Blau | 000 ⇔ 255 | 0–100% |
| 7 | Neongrün | 000 ⇔ 255 | 0–100% |
| 8 | Stroboskop | 000 ⇔ 010 011 ⇔ 255 | Keine Funktion Blitzfrequenz, langsam nach schnell |

6 Ch

| Kanal | Funktion | Wert | Prozent/Einstellung |
|-------|------------|-----------|---------------------|
| 1 | Rot | 000 ⇔ 255 | 0–100% |
| 2 | Orange | 000 ⇔ 255 | 0–100% |
| 3 | Grün | 000 ⇔ 255 | 0–100% |
| 4 | Königsblau | 000 ⇔ 255 | 0–100% |
| 5 | Blau | 000 ⇔ 255 | 0–100% |
| 6 | Neongrün | 000 ⇔ 255 | 0–100% |

DE

5 Ch

| Kanal | Funktion | Wert | Prozent/Einstellung |
|-------|----------------|------------------------|---|
| 1 | Dimmer | 000 ⇔ 255 | 0–100% |
| 2 | Fein Dimmer | 000 ⇔ 255 | 0–100% |
| 3 | Farbtemperatur | 000 ⇔ 255 | Siehe Farbtemperatur-DMX-Tabelle |
| 4 | Farbton | 000 ⇔ 255 | -25–25 |
| 5 | Stroboskop | 000 ⇔ 010 011 ⇔ 255 | Keine Funktion Blitzfrequenz, langsam nach schnell |

3 Ch

| Kanal | Funktion | Wert | Prozent/Einstellung |
|-------|----------------|-----------|--|
| 1 | Dimmer | 000 ⇔ 255 | 0–100% |
| 2 | Farbtemperatur | 000 ⇔ 255 | Siehe Farbtemperatur-DMX-Tabelle |
| 3 | Farbton | 000 ⇔ 255 | -25–25 |

1 Ch

| Kanal | Funktion | Wert | Prozent/Einstellung |
|-------|----------|-----------|-----------------------------------|
| 1 | Dimmer | 000 ⇔ 255 | 0–100%, Farb eingestellt von Menü |

Over deze handleiding

De Ovation P-56VW Beknopte Handleiding (BH) bevat basisinformatie over het product, zoals aansluiting, montage, menu-opties en DMX-waarden. Download de gebruikershandleiding op www.chauvetprofessional.com voor meer informatie.

Disclaimer

De informatie en specificaties in deze BH kunnen zonder voorafgaande kennisgeving worden gewijzigd.

BEPERKTE GARANTIE

GA NAAR ONZE WEBSITE VOOR REGISTRATIE VAN DE GARANTIE EN DE VOLLEDIGE ALGEMENE VOORWAARDEN.

Voor klanten in de Verenigde Staten en Mexico: www.chauvetlighting.com/warranty-registration

Voor klanten in het Verenigd Koninkrijk, Ierland, België, Nederland, Luxemburg, Frankrijk en Duitsland: www.chauvetlighting.eu/warranty-registration/

Chauvet garandeert dat dit product bij normaal gebruik vrij zal blijven van defecten in materiaal en vakmanschap, voor de opgegeven periode en onder voorbehoud van de uitzonderingen en beperkingen die zijn uiteengezet in de volledige beperkte garantie op onze website. Deze garantie geldt uitsluitend voor de oorspronkelijke koper van het product en is niet overdraagbaar. Om onder deze garantie rechten uit te oefenen, moet u een aankoopbewijs overleggen in de vorm van een origineel verkoopbewijs van een geautoriseerde dealer, waarop de naam van het product en de aankoopdatum zichtbaar zijn. ER ZIJN GEEN ANDERE EXPLICIETE OF IMPLICIETE GARANTIES. Deze garantie geeft u specifieke wettelijke rechten. Mogelijk heeft u ook andere rechten die van staat tot staat en van land tot land verschillen. Deze garantie is uitsluitend geldig in de Verenigde Staten, het Verenigd Koninkrijk, Ierland, België, Nederland, Luxemburg, Frankrijk, Duitsland en Mexico. Neem contact op met uw lokale verkoper voor garantievoorwaarden in andere landen.

Veiligheids instructies

- Open het product NIET. Het bevat geen te onderhouden onderdelen.
- Om onnodige slijtage te elimineren en zijn levensduur te verlengen, gedurende perioden wanneer het product niet wordt gebruikt, moet u het product van de stroom afsluiten door een aardlekschakelaar om te zetten of door het te ontkoppelen.
- KIJK NIET in de lichtbron wanneer het apparaat is ingeschakeld.
- LET OP: De behuizing van dit product kan heet zijn wanneer het in bedrijf is.
- Monteer dit product op een plek met voldoende ventilatie, ten minste 50 cm van de aangrenzende oppervlakken.
- Plaats geen ontvlambaar materiaal binnen 50 cm van dit product als het in gebruik is of is aangesloten op het stopcontact.
- LET OP: Bij het verplaatsen van het product uit extreme omgevingen, (bijv. koude vrachtwagen naar warme, vochtige balzaal) kan er condensvorming optreden op de elektronica van het product. Om storingen te vermijden moet het product volledig kunnen acclimatiseren aan de omgeving voordat het op stroom wordt aangesloten.
- GEBRUIK een veiligheidskabel bij het boven het hoofd plaatsen van dit product.
- Gebruik dit product NIET buitenshuis of op een locatie waar stof, grote warmte, water of vochtigheid het kunnen beïnvloeden. (IP20)
- Gebruik dit product NIET als de behuizing, lenzen of kabels beschadigd lijken.
- Sluit dit product NIET aan op een dimmer of een regelweerstand.
- Sluit dit product UITSLUITEND op een geaard en beveiligd stroomcircuit.
- Gebruik UITSLUITEND de ophang-/montagebeugel om dit product te dragen.
- Stop in het geval van ernstige operationele problemen onmiddellijk met het gebruik.
- De maximale omgevingstemperatuur bedraagt 45 °C. Gebruik dit product niet bij hogere temperaturen.

Contact

Van buiten de VS, Verenigd Koninkrijk, Ierland, Benelux, Frankrijk, Duitsland of Mexico kunt u contact opnemen met de distributeur of om ondersteuning vragen dan wel het product retourneren. Ga naar [Contact Us](#) voor contactinformatie.

Wat is inbegrepen

- Ovation P-56VW
- Neutrik® powerCON® stroomsnoer
- Gelframe (191 mm/7,5 in accessoires)
- Brede medium, en smalle lenzen
- Beknopte handleiding

AC-stroom

Dit product heeft een voeding met automatisch bereik die werkt met een ingangsspanning van 100–240 VAC, 50/60 Hz.

Power Linking

U kunt tot 11 Ovation P-56VW-producten koppelen bij 120 V, 18 producten bij 208 V of 20 producten bij 230 V. Dit aantal niet overschrijden. Power Linking-snoeren kunnen apart aangeschaft worden.

AC-stekker

| Aansluiting | Snoer (VS) | Snoer (Europa) | Schroefkleur |
|-------------|------------|----------------|--------------|
| AC Live | Zwart | Bruin | Geel/messing |
| AC Neutraal | Wit | Blauw | Zilver |
| AC Aarde | Groen/geel | Groen/geel | Groen |



Om onnodige slijtage te elimineren en zijn levensduur te verlengen, gedurende perioden wanneer het product niet wordt gebruikt, moet u het product van de stroom afsluiten door een aardlekschakelaar om te zetten of door het te ontkoppelen.

De zekering vervangen

1. Ontkoppel dit product van de stroom.
2. Gebruik een kruiskopschroevendraaier nr. 2 en schroef de kap van de zekeringhouder los van de behuizing.
3. Verwijder de doorgebrande zekering en vervang het met een werkende zekering van hetzelfde type en met dezelfde waarde.
4. Schroef de kap van de zekeringhouder terug en steek de stekker er weer in.

DMX-koppeling

De Ovation P-56VW kan met een DMX-controller werken met een normale DMX seriële verbinding. Op www.chauvetprofessional.com is een DMX basishandleiding verkrijgbaar.

DMX-aansluiting

De Ovation P-56VW gebruikt een normale DMX-gegevensverbinding voor zijn DMX-persoonlijkheden: **1 Ch, 3 Ch, 5 Ch, 6 Ch, 8 Ch, 11 Ch, 15 Ch, en 17 Ch**. Zie de gebruikershandleiding om te verbinden en te configureren voor DMX-werking.

Master/slave-verbinding

De Ovation P-56VW maakt gebruik van de DMX-dataverbinding voor haar Master-/Slave-modus. Zie de gebruikershandleiding om te verbinden en te configureren voor Master/Slave-werking.

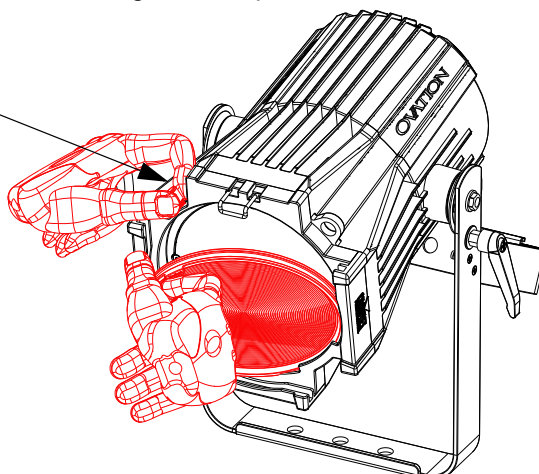
RDM (apparaatbeheer op afstand)

Remote Device Management of RDM (apparaatbeheer op afstand) is een standaard die het voor DMX-apparaten mogelijk maakt om in twee richtingen te communiceren over bestaande DMX-kabels. De Ovation P-56VW ondersteunt het RDM-protocol dat zorgt feedback toelaat bij de bewaking van wijzigingen aan de menu map-opties van. Download de gebruikershandleiding op www.chauvetprofessional.com voor meer informatie.

Alternatieve Lenzen

De verwisselbare brede en middelgrote lenzen geven het product alternatieve stralingshoeken.

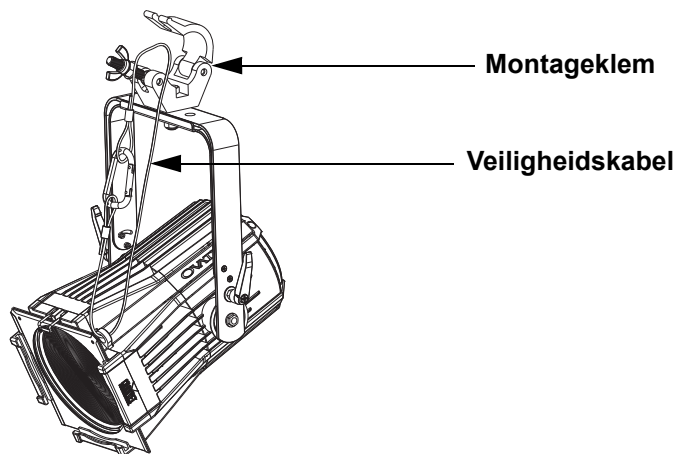
Trek de knop omhoog
om de lens los te maken
en te verwisselen



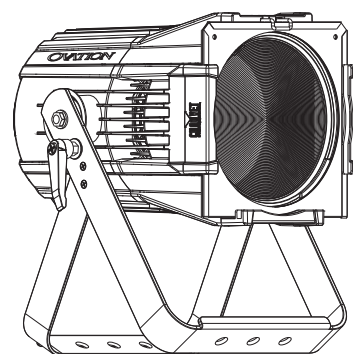
Montage

Lees alvorens dit product te monteren alle [Veiligheids instructies](#). Controleer of de montageklem het gewicht van het product kan dragen. Ga voor onze Chauvet-serie montageklemmen naar <http://trusst.com/productcategory/truss-clamps/>.

Montagediagram van het product



Montage boven het hoofd



Plaatsing op de vloer

Kleurtemperatuurkaart

Kleurtemperatuur DMX-kaart

| DMX-kanaalwaarde | Kleurtemperatuur | DMX-kanaalwaarde | Kleurtemperatuur | DMX-kanaalwaarde | Kleurtemperatuur |
|------------------|--------------------|------------------|------------------|------------------|------------------|
| 000 ⇔ 005 | Geen functie/2800K | 083 ⇔ 090 | 3900–4000K | 167 ⇔ 174 | 5100–5200K |
| 006 ⇔ 013 | 2800–2900K | 090 ⇔ 097 | 4000–4100K | 174 ⇔ 181 | 5200–5300K |
| 013 ⇔ 020 | 2900–3000K | 097 ⇔ 104 | 4100–4200K | 181 ⇔ 188 | 5300–5400K |
| 020 ⇔ 027 | 3000–3100K | 104 ⇔ 111 | 4200–4300K | 188 ⇔ 195 | 5400–5500K |
| 027 ⇔ 034 | 3100–3200K | 111 ⇔ 118 | 4300–4400K | 195 ⇔ 202 | 5500–5600K |
| 034 ⇔ 041 | 3200–3300K | 118 ⇔ 125 | 4400–4500K | 202 ⇔ 209 | 5600–5700K |
| 041 ⇔ 048 | 3300–3400K | 125 ⇔ 132 | 4500–4600K | 209 ⇔ 216 | 5700–6000K |
| 048 ⇔ 055 | 3400–3500K | 132 ⇔ 139 | 4600–4700K | 216 ⇔ 223 | 6000–6500K |
| 055 ⇔ 062 | 3500–3600K | 139 ⇔ 146 | 4700–4800K | 223 ⇔ 230 | 6500–7000K |
| 062 ⇔ 069 | 3600–3700K | 146 ⇔ 153 | 4800–4900K | 230 ⇔ 237 | 7000–7500K |
| 069 ⇔ 076 | 3700–3800K | 153 ⇔ 160 | 4900–5000K | 237 ⇔ 244 | 7500–8000K |
| 076 ⇔ 083 | 3800–3900K | 160 ⇔ 167 | 5000–5100K | 244 ⇔ 255 | 8000K |

Kleurtemperatuur waardenkaart

| Weergave op het display | Rode waarde | Oranje waarde | Groene waarde | Koningsblauwe waarde | Blauwe waarde | Lime waarde |
|-------------------------|-------------|---------------|---------------|----------------------|---------------|-------------|
| 2800K | 193 | 181 | 015 | 032 | 023 | 255 |
| 2900K | 184 | 172 | 024 | 036 | 025 | 255 |
| 3000K | 176 | 161 | 027 | 037 | 028 | 255 |
| 3100K | 167 | 156 | 030 | 042 | 034 | 255 |
| 3200K | 162 | 146 | 034 | 046 | 035 | 255 |
| 3300K | 157 | 140 | 039 | 048 | 040 | 255 |
| 3400K | 153 | 132 | 042 | 050 | 044 | 255 |
| 3500K | 149 | 128 | 046 | 053 | 047 | 255 |
| 3600K | 144 | 122 | 050 | 055 | 050 | 255 |
| 3700K | 140 | 118 | 053 | 057 | 054 | 255 |
| 3800K | 135 | 115 | 054 | 059 | 057 | 255 |
| 3900K | 132 | 111 | 056 | 063 | 062 | 255 |
| 4000K | 128 | 107 | 059 | 066 | 065 | 255 |
| 4100K | 125 | 105 | 062 | 068 | 067 | 255 |
| 4200K | 123 | 103 | 067 | 070 | 071 | 255 |
| 4300K | 120 | 101 | 071 | 072 | 074 | 255 |
| 4400K | 118 | 099 | 074 | 074 | 078 | 255 |
| 4500K | 116 | 097 | 079 | 077 | 080 | 255 |
| 4600K | 114 | 094 | 083 | 078 | 083 | 255 |
| 4700K | 112 | 092 | 087 | 080 | 085 | 255 |
| 4800K | 107 | 090 | 089 | 082 | 087 | 255 |
| 4900K | 105 | 088 | 092 | 085 | 089 | 255 |
| 5000K | 103 | 086 | 095 | 087 | 092 | 255 |
| 5100K | 101 | 084 | 099 | 088 | 094 | 255 |
| 5200K | 100 | 082 | 101 | 091 | 096 | 255 |
| 5300K | 099 | 079 | 104 | 095 | 097 | 255 |
| 5400K | 098 | 077 | 106 | 098 | 099 | 255 |
| 5500K | 097 | 079 | 108 | 102 | 102 | 255 |
| 5600K | 096 | 077 | 109 | 104 | 104 | 255 |
| 5700K | 095 | 076 | 110 | 106 | 106 | 255 |
| 6000K | 089 | 072 | 115 | 111 | 113 | 255 |
| 6500K | 081 | 066 | 120 | 121 | 120 | 255 |
| 7000K | 077 | 059 | 124 | 128 | 129 | 255 |
| 7500K | 073 | 054 | 127 | 136 | 136 | 255 |
| 8000K | 068 | 050 | 135 | 144 | 142 | 255 |



De bovenstaande kleurtemperaturen zijn gesimuleerde weergaven van de geproduceerde kleuropbrengst, in vergelijking met een wolfram-lamp bij de opgegeven kleurtemperatuur. Chauvet geeft geen garantie over de nauwkeurigheid van de kleuropbrengst.

Beschrijving bedienings paneel

| Toets | Functie |
|---------|--|
| <MENU> | Sluit het huidige menu of functie af |
| <ENTER> | Activeert het huidige getoonde menu of plaatst de huidige geselecteerde waarde in de geselecteerde functie |
| <UP> | Navigeert omhoog via het menu of verhoogt de numerieke waarde wanneer in een functie |
| <DOWN> | Navigeert omlaag via het menu of verlaagt de numerieke waarde wanneer in een functie |

Menumap

| Hoofdniveau | Programmeerniveaus | | | Beschrijving | |
|-------------|--------------------|--|--|---|---|
| DMX Address | 001–512* | | | Selecteert het start-adres (*hoogste kanaal beperkt tot de gekozen persoonlijkheid) | |
| DMX Channel | 1 Ch | Color Temperature | ---_K | 1-kanaal: dimmer. Zie Kleurtemperatuurkaart | |
| | | Manual Color Mixer | Red | 000–255 | Combineert rood, oranje, groen, koningsblauw, blauw en lime om een aangepaste kleur te genereren (0–100%) |
| | | | Orange | | |
| | | | Green | | |
| | | | Royal Blue | | |
| Blue | | | | | |
| Lime | | | | | |
| | 3 Ch | 3-kanaal: dimmer, kleurtemperatuur, tint | | | |
| | 5 Ch | 5-kanaal: 16-bit dimmer, kleurtemperatuur, tint, stroboscoop | | | |
| | 6 Ch | 6-kanaal: rood, oranje, groen, koningsblauw, blauw, lime | | | |
| DMX Channel | | 8 Ch | 8-kanaal: dimmer, rood, oranje, groen, koningsblauw, blauw, lime, stroboscoop | | |
| | | 11 Ch | 11-kanaal: dimmer, rood, oranje, groen, koningsblauw, blauw, lime, stroboscoop, kleurtemperatuur, tint, dimmersnelheid | | |
| | | 15 Ch | 15-kanaal: 16-bit dimmer, 16-bit rood, oranje, groen, koningsblauw, blauw en lime, stroboscoop | | |
| | | 17 Ch | 17-kanaal: 16-bit dimmer, 16-bit rood, oranje, groen, koningsblauw, blauw en lime, stroboscoop, kleurtemperatuur, tint | | |
| Static | Color Temperature | 2800K | Dimmer | 000–255 | Stelt de kleurtemperatuur, dimmer- en tint- (groen/magenta) niveaus. Emuleert een wolfram-lamp bij de opgegeven kleurtemperatuur. |
| | | 2900K | | | |
| | | 3000K | | | |
| | | 3100K | | | |
| | | 3200K | | | |
| | | 3300K | | | |
| | | 3400K | | | |
| | | 3500K | | | |
| | | 3600K | | | |
| | | 3700K | | | |
| | | 3800K | | | |
| | | 3900K | Hue | -25–25 | |
| | | 4000K | | | |
| | | 4100K | | | |
| | | 4200K | | | |
| | | 4300K | | | |
| | | 4400K | | | |
| | | 4500K | | | |
| | | 4600K | | | |
| | | 4700K | | | |
| 4800K | | | | | |
| 4900K | | | | | |
| 5000K | | | | | |
| 5100K | | | | | |

| Hoofdniveau | Programmeerniveaus | | | Beschrijving | | |
|---------------------|--|-----------------|-----------|---|---|--------|
| Static (vervolg) | Color Temperature (vervolg) | 5200K | Dimmer | 000–255 | Stelt de kleurtemperatuur, dimmer- en tint- (groen/magenta) niveaus. Emuleert een wolfraam-lamp bij de opgegeven kleurtemperatuur. | |
| | | 5300K | | | | |
| | | 5400K | | | | |
| | | 5500K | | | | |
| | | 5600K | | | | |
| | | 5700K | Hue | | | -25–25 |
| | | 6000K | | | | |
| | | 6500K | | | | |
| | | 7000K | | | | |
| | | 7500K | | | | |
| 8000K | | | | | | |
| Manual Color Mixer | | Red | <000–255> | Combineert rood, oranje, groen, koningsblauw, blauw en lime om een aangepaste kleur te genereren (0–100%) | | |
| | | Orange | | | | |
| | | Green | | | | |
| | | Royal Blue | | | | |
| | | Blue | | | | |
| Lime | | | | | | |
| Master/Slave | Master | | | DMX-modus (Master) | | |
| | Slave | | | Slave-modus | | |
| Dimmer Mode | Off | | | Lineaire dimmer | | |
| | Dimmer 1–3 | | | Selecteert dimprofielen van snel (Dimmer 1) tot langzaam (Dimmer 3) | | |
| White Balance | Manual | Off | | Gebruikt standaard witte instelling | | |
| | | Red | <125–255> | Stelt de maximum waarde van de rode LED in | | |
| | | Orange | | Stelt de maximum waarde van de oranje LED in | | |
| | | Green | | Stelt de maximum waarde van de groene LED in | | |
| | | Royal Blue | | Stelt de maximum waarde van de koningsblauwe LED in | | |
| | | Blue | | Stelt de maximum waarde van de blauwe LED in | | |
| Lime | Stelt de maximum waarde van de lime LED in | | | | | |
| LED Frequency | 600Hz | | | Selecteert de PWM-uitgangsfrequentie | | |
| | 1200Hz | | | | | |
| | 2000Hz | | | | | |
| | 4000Hz | | | | | |
| | 6000Hz | | | | | |
| | 25KHz | | | | | |
| Fan Mode | Auto | | | Ingesteld de ventilator automatische modus | | |
| | On | | | Ingesteld de ventilator altijd aan modus | | |
| | Off | | | Ingesteld de ventilator altijd uit | | |
| | Silent | | | Ingesteld de ventilator stil | | |
| Back Light | On | | | De backlight van de display is altijd aan | | |
| | 10S | | | Schakelt de backlight van de display uit na 10s van inactiviteit | | |
| | 20S | | | Schakelt de backlight van de display uit na 20s van inactiviteit | | |
| | 30S | | | Schakelt de backlight van de display uit na 30s van inactiviteit | | |
| Information | Fixture Hours | <_ _ _ _ H> | | Toont het totale aantal producturen | | |
| | Version | <V _ _> | | Toont de geïnstalleerde softwareversie | | |
| | UID | <_ _ _ _ _ _ _> | | Geeft de huidige UID | | |
| Reset Factory | No | | | Herstellen naar de fabrieksstandaard | | |
| | Yes | | | | | |

DMX-waarden
17 Ch

| Kanaal | Functie | Waarde | Percentage/Instelling |
|--------|-------------------|------------------------|--|
| 1 | Dimmer | 000 ⇔ 255 | 0–100% |
| 2 | Fijnedimmer | 000 ⇔ 255 | 0–100% |
| 3 | Rood | 000 ⇔ 255 | 0–100% |
| 4 | Fijnerood | 000 ⇔ 255 | 0–100% |
| 5 | Oranje | 000 ⇔ 255 | 0–100% |
| 6 | Fijnoranje | 000 ⇔ 255 | 0–100% |
| 7 | Groen | 000 ⇔ 255 | 0–100% |
| 8 | Fijnegroen | 000 ⇔ 255 | 0–100% |
| 9 | Koningsblauw | 000 ⇔ 255 | 0–100% |
| 10 | Fijnekoningsblauw | 000 ⇔ 255 | 0–100% |
| 11 | Blauw | 000 ⇔ 255 | 0–100% |
| 12 | Fijneblauw | 000 ⇔ 255 | 0–100% |
| 13 | Lime | 000 ⇔ 255 | 0–100% |
| 15 | Fijnelime | 000 ⇔ 255 | 0–100% |
| 15 | Stroboscoop | 000 ⇔ 010 011 ⇔ 255 | Geen functie Stroboscoop, langzaam tot snel |
| 16 | Kleurtemperatuur | 000 ⇔ 255 | Raadpleeg de sectie Kleurtemperatuur DMX-kaart |
| 17 | Tint | 000 ⇔ 255 | -25–25 |

15 Ch

| Kanaal | Functie | Waarde | Percentage/Instelling |
|--------|-------------------|------------------------|--|
| 1 | Dimmer | 000 ⇔ 255 | 0–100% |
| 2 | Fijnedimmer | 000 ⇔ 255 | 0–100% |
| 3 | Rood | 000 ⇔ 255 | 0–100% |
| 4 | Fijnerood | 000 ⇔ 255 | 0–100% |
| 5 | Oranje | 000 ⇔ 255 | 0–100% |
| 6 | Fijnoranje | 000 ⇔ 255 | 0–100% |
| 7 | Groen | 000 ⇔ 255 | 0–100% |
| 8 | Fijnegroen | 000 ⇔ 255 | 0–100% |
| 9 | Koningsblauw | 000 ⇔ 255 | 0–100% |
| 10 | Fijnekoningsblauw | 000 ⇔ 255 | 0–100% |
| 11 | Blauw | 000 ⇔ 255 | 0–100% |
| 12 | Fijneblauw | 000 ⇔ 255 | 0–100% |
| 13 | Lime | 000 ⇔ 255 | 0–100% |
| 15 | Fijnelime | 000 ⇔ 255 | 0–100% |
| 15 | Stroboscoop | 000 ⇔ 010 011 ⇔ 255 | Geen functie Stroboscoop, langzaam tot snel |

NL

11 Ch

| Kanaal | Functie | Waarde | Percentage/Instelling |
|--------|------------------|---|---|
| 1 | Dimmer | 000 ⇔ 255 | 0–100% |
| 2 | Rood | 000 ⇔ 255 | 0–100% |
| 3 | Oranje | 000 ⇔ 255 | 0–100% |
| 4 | Groen | 000 ⇔ 255 | 0–100% |
| 5 | Koningsblauw | 000 ⇔ 255 | 0–100% |
| 6 | Blauw | 000 ⇔ 255 | 0–100% |
| 7 | Lime | 000 ⇔ 255 | 0–100% |
| 8 | Stroboscoop | 000 ⇔ 010 011 ⇔ 255 | Geen functie Stroboscoop, langzaam tot snel |
| 9 | Kleurtemperatuur | 000 ⇔ 255 | Raadpleeg de sectie Kleurtemperatuur DMX-kaart |
| 10 | Tint | 000 ⇔ 255 | -25–25 |
| 11 | Dimmersnelheid* | 000 ⇔ 051 052 ⇔ 101 102 ⇔ 152 153 ⇔ 203 204 ⇔ 255 | Huidige snelheidsmodus van de dimmer Lineaire dimmer Niet-lineaire dimcurve 1 (snelst) Niet-lineaire dimcurve 2 Niet-lineaire dimcurve 3 (langzaamst) |



*Houd de gewenste waarde voor de dimmersnelheid 3 seconden vast en laat het daarna los. Dit verandert de instelling van de dimmersnelheid in het menu.

8 Ch

| Kanaal | Functie | Waarde | Percentage/Instelling |
|--------|--------------|------------------------|--|
| 1 | Dimmer | 000 ⇔ 255 | 0–100% |
| 2 | Rood | 000 ⇔ 255 | 0–100% |
| 3 | Oranje | 000 ⇔ 255 | 0–100% |
| 4 | Groen | 000 ⇔ 255 | 0–100% |
| 5 | Koningsblauw | 000 ⇔ 255 | 0–100% |
| 6 | Blauw | 000 ⇔ 255 | 0–100% |
| 7 | Lime | 000 ⇔ 255 | 0–100% |
| 8 | Stroboscoop | 000 ⇔ 010 011 ⇔ 255 | Geen functie Stroboscoop, langzaam tot snel |

6 Ch

| Kanaal | Functie | Waarde | Percentage/Instelling |
|--------|--------------|-----------|-----------------------|
| 1 | Rood | 000 ⇔ 255 | 0–100% |
| 2 | Oranje | 000 ⇔ 255 | 0–100% |
| 3 | Groen | 000 ⇔ 255 | 0–100% |
| 4 | Koningsblauw | 000 ⇔ 255 | 0–100% |
| 5 | Blauw | 000 ⇔ 255 | 0–100% |
| 6 | Lime | 000 ⇔ 255 | 0–100% |

5 Ch

| Kanaal | Functie | Waarde | Percentage/Instelling |
|--------|------------------|------------------------|--|
| 1 | Dimmer | 000 ⇔ 255 | 0–100% |
| 2 | Fijnedimmer | 000 ⇔ 255 | 0–100% |
| 3 | Kleurtemperatuur | 000 ⇔ 255 | Raadpleeg de sectie Kleurtemperatuur DMX-kaart |
| 4 | Tint | 000 ⇔ 255 | -25–25 |
| 5 | Stroboscoop | 000 ⇔ 010 011 ⇔ 255 | Geen functie Stroboscoop, langzaam tot snel |

3 Ch

| Kanaal | Functie | Waarde | Percentage/Instelling |
|--------|------------------|-----------|--|
| 1 | Dimmer | 000 ⇔ 255 | 0–100% |
| 2 | Kleurtemperatuur | 000 ⇔ 255 | Raadpleeg de sectie Kleurtemperatuur DMX-kaart |
| 3 | Tint | 000 ⇔ 255 | -25–25 |

1 Ch

| Kanaal | Functie | Waarde | Percentage/instelling |
|--------|---------|-----------|--|
| 1 | Dimmer | 000 ⇔ 255 | 0–100%, kleur wordt ingesteld via het menu |

Contact Us

| General Information | Technical Support |
|--|--|
| Chauvet World Headquarters | |
| Address: 5200 NW 108th Ave. Sunrise, FL 33351 Voice: (954) 577-4455 Fax: (954) 929-5560 Toll Free: (800) 762-1084 | Voice: (844) 393-7575 Fax: (954) 756-8015 Email: chauvetcs@chauvetlighting.com Website: www.chauvetprofessional.com |
| Chauvet Europe Ltd | |
| Address: Unit 1C Brookhill Road Industrial Estate Pinxton, Nottingham, UK NG16 6NT Voice: +44 (0) 1773 511115 Fax: +44 (0) 1773 511110 | Email: UKtech@chauvetlighting.eu Website: www.chauvetprofessional.eu |
| Chauvet Europe BVBA | |
| Address: Stokstraat 18 9770 Kruishoutem Belgium Voice: +32 9 388 93 97 | Email: BNLtech@chauvetlighting.eu Website: www.chauvetprofessional.eu |
| Chauvet France | |
| Address: 3, Rue Ampère 91380 Chilly-Mazarin France Voice: +33 1 78 85 33 59 | Email: FRtech@chauvetlighting.fr Website: www.chauvetprofessional.eu |
| Chauvet Germany | |
| Address: Bruno-Bürgel-Str. 11 28759 Bremen Germany Voice: +49 421 62 60 20 | Email: DEtech@chauvetlighting.de Website: www.chauvetprofessional.eu |
| Chauvet Mexico | |
| Address: Av. de las Partidas 34 - 3B (Entrance by Calle 2) Zona Industrial Lerma Lerma, Edo. de México, CP 52000 Voice: +52 (728) 690-2010 | Email: servicio@chauvet.com.mx Website: www.chauvetprofessional.mx |

Visit the applicable website above to verify our contact information and instructions to request support. Outside the U.S., United Kingdom, Ireland, Benelux, France, Germany, or Mexico, contact the dealer of record.



UL 1573
CSA C22.2 No. 166
E113093



RoHS

