

Technical Manual

JBL 3722N-HF

SPECIFICATIONS



ACOUSTIC & ELECTRICAL SPECIFICATIONS:

- Nominal Impedance: 4 Ohms
- Passive System Power Rating: 400 W
- Frequency Range: 30 Hz - 20 kHz
- Rated Maximum SPL: 127 dB, @ 1 m (3.3 ft) 133 dB peak
- System Sensitivity: 101 dB, 2V @ 1 m (3.3 ft)
- Crossover Frequency: 1300 Hz

SYSTEM COMPONENTS:

- Cabinet: Not for Sale
- High Frequency: 2418H-1 compression driver
- Pack: 1 x 2374 HF horn, one adjustable bracket
- DC Resistance: 3.7 ohms ± 5 % (?)

SYSTEM COMPONENTS: (Cont'd)

- Crossover Network: 336966-002

AURAL SWEEP TEST SPECIFICATIONS:

- A. System Aural Sweep Test: 7V Input, 500 Hz to 20 kHz

PHYSICAL SPECIFICATIONS:

- Enclosure Dimensions: 381 x 762 x 381 mm D (15 x 30 x 15 in. D)
- Net Weight: 20 lb (9 kg)
- Shipping Weight: 32 lb (14.5 kg)

WARRANTY INFORMATION:

- Refer to Warranty Statement packed with each product.

PACKAGE

Warranty Card
59660

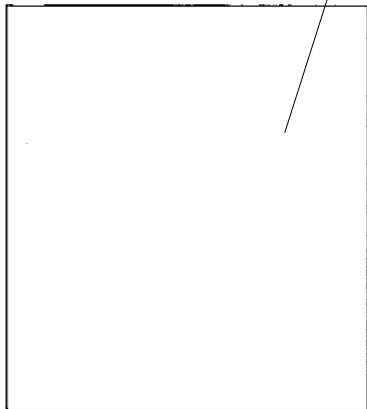
Carton
336997-001

Filler, Bottom
336998-001

Sleeve, Center
336999-001

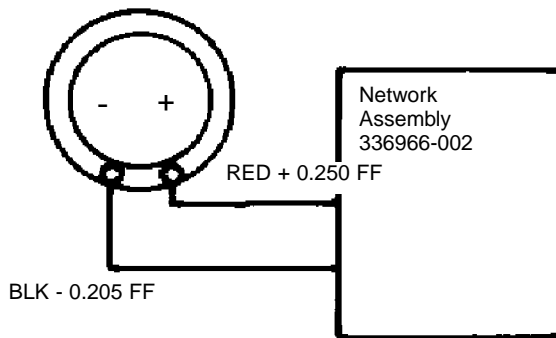
Filler, Top
337000-001

Bag
322591-001
19" x 16" x 42" LRG
.003 THKLDPE
CLEAR

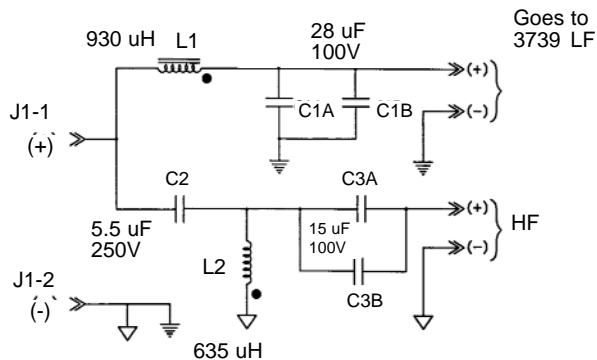


WIRING DIAGRAM

Driver, High
Freq.
2418H-1
Diaph Repl
D8R2418-1



SCHEMATIC 336966-002

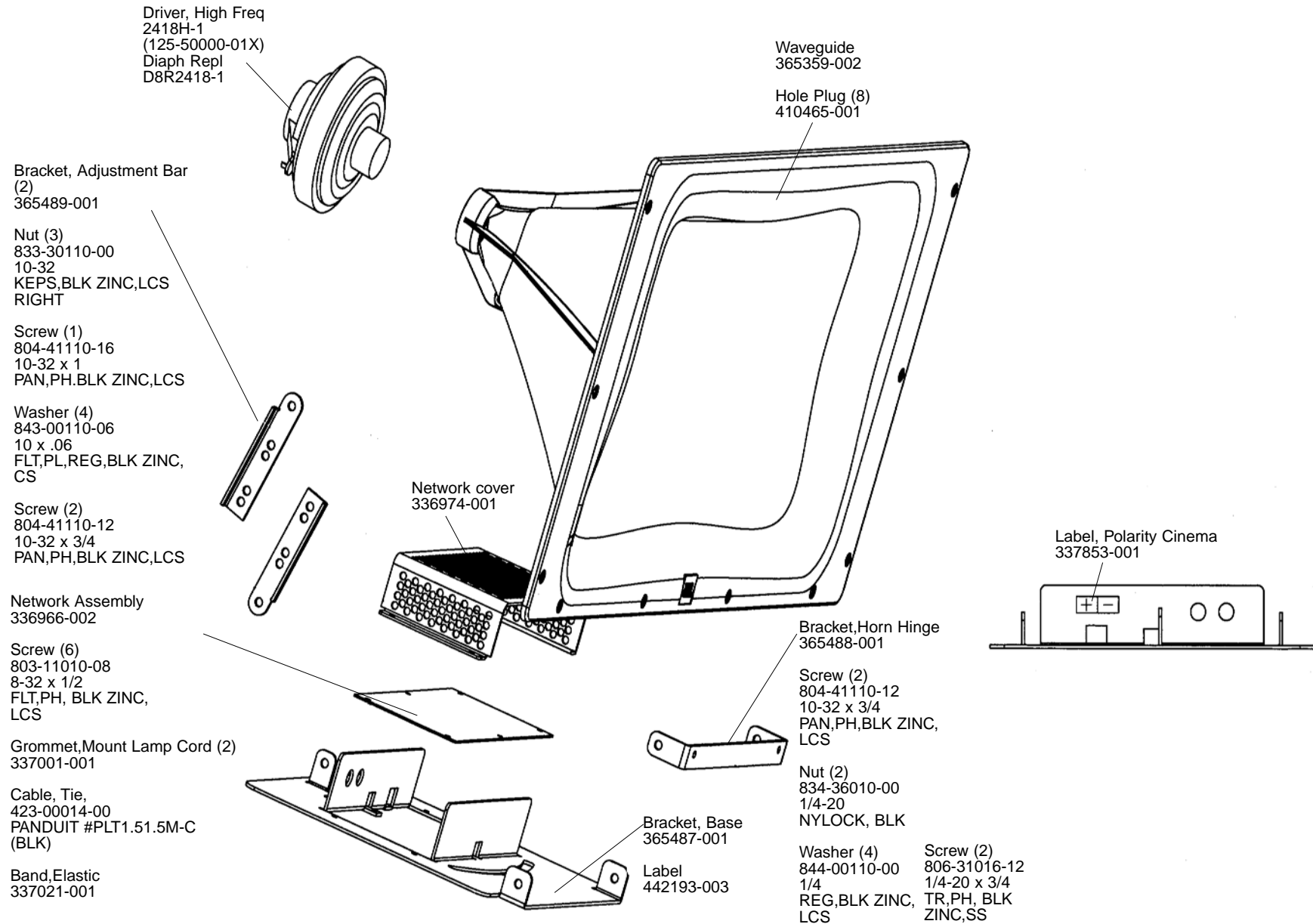


NOTE: INDIVIDUAL PARTS FOR THE ABOVE CROSSOVER ARE NOT AVAILABLE. A COMPLETE REPLACEMENT ASSEMBLY SHOULD BE ORDERED

JBL 3722N-HF REV A

JBL 3722N-HF

COMPONENT EXPLODED VIEW



JBL 3722N-HF