

SIXPAR 200IP™

user manual

©2019 ELATION PROFESSIONAL all rights reserved. Information, specifications, diagrams, images, and instructions herein are subject to change without notice. ELATION PROFESSIONAL logo and identifying product names and numbers herein are trademarks of ELATION PROFESSIONAL. Copyright protection claimed includes all forms and matters of copyrightable materials and information now allowed by statutory or judicial law or hereinafter granted. Product names used in this document may be trademarks or registered trademarks of their respective companies and are hereby acknowledged. All non-ELATION brands and product names are trademarks or registered trademarks of their respective companies.

ELATION PROFESSIONAL and all affiliated companies hereby disclaim any and all liabilities for property, equipment, building, and electrical damages, injuries to any persons, and direct or indirect economic loss associated with the use or reliance of any information contained within this document, and/or as a result of the improper, unsafe, insufficient and negligent assembly, installation, rigging, and operation of this product.

ELATION PROFESSIONAL USA

6122 S. Eastern Ave. Los Angeles, CA. 90040
323-582-3322 | Fax 323-832-9142 | www.elationlighting.com | sales@elationlighting.com

ELATION PROFESSIONAL B.V.

Junostraat 2 | 6468 EW Kerkrade, The Netherlands
+31 45 546 85 66 | Fax +31 45 546 85 96 | www.elationlighting.eu | info@elationlighting.eu

ELATION PROFESSIONAL Mexico

AV Santa Ana 30 Parque Industrial Lerma, Lerma, Mexico 52000
+52 (728) 282-7070 | ventas@adj.com

DOCUMENT VERSION



Please check www.elationlighting.com for the latest revision/update of this manual.

Date	Document Version	Software Version	DMX Channel Modes	Notes
2/2015	1	≥1.02	6/7/8/12	Initial release.
2/2019	1	≥1.15	6/7/8/12	Updated DMX traits.

C O N T E N T S

General Information	4
Warranty	7
Safety Instructions	8
General Guidelines	9
Fixture Overview	10
Fixture Installation	11
Understanding DMX	13
Fixture Menu	16
DMX Channel Functions And Values	19
Cleaning and Maintenance	22
Technical Specifications	23
Optional Accessories	25

GENERAL INFORMATION

INTRODUCTION

Congratulations, you have just purchased one of the most innovative and reliable ArtNet to DMX converter on the market today! The **SIXPAR 200IP™** has been designed to perform reliably for years when the guidelines in this booklet are followed. Please read and understand the instructions in this manual carefully and thoroughly before attempting to operate this unit. These instructions contain important information regarding safety during use and maintenance.



IP65 RATED

An IP rated lighting fixture is one, which is commonly installed in outdoor environments and has been designed with an enclosure that effectively protects the ingress (entry) of external foreign objects such as dust and water. The **International Protection (IP)** rating system is commonly expressed as "IP" (Ingress Protection) followed by two numbers (i.e. IP65) where the numbers define the degree of protection. The first digit (Foreign Bodies Protection) indicates the extent of protection against particles entering the fixture and the second digit (Water Protection) indicates the extent of protection against water entering the fixture. An IP65 rated lighting fixture is one, which has been designed and tested to protect against the ingress of dust (6) and high-pressure water jets from any direction (5).



MARINE / COASTAL ENVIRONMENT INSTALLATIONS!

Please note although this fixture is IP rated, the fixture is **NOT** suitable for marine and/or coastal environment installations. Installing this fixture in a marine and/or coastal environment may cause corrosion and/or excessive wear to the interior and/or exterior components of the fixture. Damages and/or performance issues resulting from installation in a marine and/or coastal environment will void the manufactures warranty and will **NOT** be subject to any warranty claims and/or repairs.



Ensure ALL connections and end caps are properly sealed with a non-conductive dielectric grease (available at most electrical suppliers) to prevent water ingress/condensation and/or corrosion.



OPTIONAL CORROSION-RESISTANT COATING

Optional Corrosion-Resistant Coatings may be available for this fixture. Please consult your **Elation Professional** sales representative for details.

UNPACKING

Thank you for purchasing the **SIXPAR 200IP™** by Elation Professional®.

Every **SIXPAR 200IP™** has been thoroughly tested and has been shipped in perfect operating condition. Carefully check the shipping carton for damage that may have occurred during shipping. If the carton appears to be damaged, carefully inspect your unit for damage and be sure all accessories necessary to operate the unit have arrived intact. In the event damage has been found or parts are missing, please contact our customer support team for further instructions. Please do not return this unit to your dealer without first contacting customer support at the number listed below. Please do not discard the shipping carton in the trash. Please recycle whenever possible.

BOX CONTENTS

- Male Edison to IP Female Power Cable 6,6 ft. (2m)
- Male 3pin XLR to IP Female DMX Input Cable 3.3 ft. (1m)
- Female 3pin XLR to IP Male DMX Output Cable 3.3 ft. (1m)
- Manual & Warranty Card

WARRANTY REGISTRATION

Please fill out the enclosed warranty card to validate your purchase. All returned service items whether under warranty or not, must be freight pre-paid and accompany a return authorization (R.A.) number. The R.A. number must be clearly written on the outside of the return package. A brief description of the problem as well as the R.A. number must also be written down on a piece of paper and included in the shipping container. If the unit is under warranty, you must provide a copy of your proof of purchase invoice. Items returned without a R.A. number clearly marked on the outside of the package will be refused and returned at customer's expense. You may obtain a R.A. number by contacting customer support at 323-582-3322.

IMPORTANT NOTICE!



There are no user serviceable parts inside this unit. Do not attempt any repairs yourself; doing so will void your manufactures warranty. Damages resulting from modifications to this fixture and/or the disregard of safety and general user instructions found in this user manual void the manufactures warranty and are not subject to any warranty claims and/or repairs.

CUSTOMER SUPPORT

Elation Professional® provides a customer support line, to provide set up help and to answer any question should you encounter problems during your set up or initial operation. You may also visit us on the web at www.elationlighting.com for any comments or suggestions. For service related issue please contact Elation Professional®.

ELATION PROFESSIONAL USA

6122 S. Eastern Ave. Los Angeles, CA. 90040

323-582-3322 | Fax 323-832-9142 | www.elationlighting.com | sales@elationlighting.com

ELATION PROFESSIONAL B.V.

Junostraat 2 | 6468 EW Kerkrade, The Netherlands

+31 45 546 85 66 | Fax +31 45 546 85 96 | www.elationlighting.eu | info@elationlighting.eu

ELATION PROFESSIONAL Mexico

AV Santa Ana 30 Parque Industrial Lerma, Lerma, Mexico 52000

+52 (728) 282-7070

CUSTOMER SUPPORT

Contact ELATION Service for any product related service and support needs. Also visit forums.elationlighting.com with questions, comments or suggestions.

ELATION SERVICE USA - Monday - Friday 8:00am to 4:30pm PST

323-582-3322 | Fax 323-832-9142 | support@elationlighting.com

ELATION SERVICE EUROPE - Monday - Friday 08:30 to 17:00 CET

+31 45 546 85 63 | Fax +31 45 546 85 96 | support@elationlighting.eu

REPLACEMENT PARTS please visit parts.elationlighting.com

LIMITED WARRANTY

A. Elation Professional® hereby warrants, to the original purchaser, Elation Professional® products to be free of manufacturing defects in material and workmanship for a period of two years (730 days), and Elation Professional® product rechargeable batteries to be free of manufacturing defects in material and workmanship for a period of six months (180 days), from the original date of purchase. This warranty excludes discharge lamps and all product accessories. This warranty shall be valid only if the product is purchased within the United States of America, including possessions and territories. It is the owner's responsibility to establish the date and place of purchase by acceptable evidence, at the time service is sought.

B. For warranty service, send the product only to the Elation Professional® factory. All shipping charges must be pre-paid. If the requested repairs or service (including parts replacement) are within the terms of this warranty, Elation Professional® will pay return shipping charges only to a designated point within the United States. If any product is sent, it must be shipped in its original package and packaging material. No accessories should be shipped with the product. If any accessories are shipped with the product, Elation Professional® shall have no liability what so ever for loss and/or or damage to any such accessories, nor for the safe return thereof.

C. This warranty is void if the product serial number and/or labels are altered or removed; if the product is modified in any manner which Elation Professional® concludes, after inspection, affects the reliability of the product; if the product has been repaired or serviced by anyone other than the Elation Professional® factory unless prior written authorization was issued to purchaser by Elation Professional®; if the product is damaged because not properly maintained as set forth in the product instructions, guidelines and/or user manual.

D. This is not a service contract, and this warranty does not include any maintenance, cleaning or periodic check-up. During the periods as specified above, Elation Professional® will replace defective parts at its expense, and will absorb all expenses for warranty service and repair labor by reason of defects in material or workmanship. The sole responsibility of Elation Professional® under this warranty shall be limited to the repair of the product, or replacement thereof, including parts, at the sole discretion of Elation Professional®. All products covered by this warranty were manufactured after January 1, 1990, and bare identifying marks to that effect.

E. Elation Professional® reserves the right to make changes in design and/or performance improvements upon its products without any obligation to include these changes in any products theretofore manufactured.

F. No warranty, whether expressed or implied, is given or made with respect to any accessory supplied with the products described above. Except to the extent prohibited by applicable law, all implied warranties made by Elation Professional® in connection with this product, including warranties of merchantability or fitness, are limited in duration to the warranty periods set forth above. And no warranties, whether expressed or implied, including warranties of merchantability or fitness, shall apply to this product after said periods have expired. The consumer's and/or dealer's sole remedy shall be such repair or replacement as is expressly provided above; and under no circumstances shall Elation Professional® be liable for any loss and/or damage, direct and/or consequential, arising out of the use of, and/or the inability to use, this product.

G. This warranty is the only written warranty applicable to Elation Professional® products and supersedes all prior warranties and written descriptions of warranty terms and conditions therefore published.

SAFETY INSTRUCTIONS



The **SIXPAR 200IP™** is an extremely sophisticated piece of electronic equipment. To guarantee a smooth operation, it is important to follow the guidelines in this manual. The manufacturer of this device will not accept responsibility for damages resulting from the misuse of this fixture due to the disregard of the information printed in this manual.



This device falls under **PROTECTION CLASS 1**. It's essential this device be grounded properly. Only qualified personnel should perform all electrical connections.



C A U T I O N S
UNPLUG POWER BEFORE SERVICING FIXTURE



NEVER TOUCH FIXTURE DURING OPERATION AS IT MAY BE HOT



NEVER LOOK DIRECTLY INTO THE LIGHT SOURCE
SENSITIVE PERSONS MAY SUFFER AN EPILEPTIC SHOCK

CAUTION

HIGH INTENSITY ULTRAVIOLET LIGHT



AVOID DIRECT EYE & SKIN EXPOSURE.
 WEAR PROPER EYE & SKIN PROTECTION.
 SEE MANUAL FOR SAFETY INSTRUCTIONS.

RISK GROUP 3 - RISK OF EXPOSURE TO ULTRAVIOLET UV RADIATION! FIXTURE EMITS HIGH INTENSITY WAVELENGTH OF ULTRAVIOLET UV LIGHT FROM THE UV LED. WEAR PROPER EYE AND SKIN PROTECTION. AVOID PROLONGED PERIODS OF EXPOSURE TO UV LED. AVOID WEARING WHITE COLOR CLOTHING AND/OR USING UV PAINTS ON SKIN. AVOID DIRECT EYE AND/OR SKIN EXPOSURE AT DISTANCES LESS THAN 11 FEET (3.3m). DO NOT OPERATE FIXTURE WITH DAMAGED/MISSING EXTERNAL COVERS. DO NOT LOOK DIRECTLY INTO THE UV LIGHT AND/OR VIEW UV LIGHT DIRECTLY WITH OPTICAL INSTRUMENTS THAT MAY CONCENTRATE THE LIGHT/RADIATION OUTPUT. INDIVIDUALS SUFFERING FROM A RANGE OF EYE CONDITIONS, SUNLIGHT EXPOSURE DIS-ORDERS, OR INDIVIDUALS USING PHOTSENSITIVE MEDICATION, MAY RECEIVE DISCOMFORT IF EXPOSED TO THE ULTRAVIOLET UV LIGHT EMITTED FROM THE UV LED.

- For proper operation, follow the **Installation** guidelines described in this manual. Only qualified and certified personnel should perform installation of this fixture and only the original rigging parts (brackets) included with this fixture should be used for installation. Any modifications will void the original manufactures warranty and increase the risk of damage and/or personal injury.
- Never look directly into the light source of this fixture to prevent risk of injury to your retina, which may induce blindness. Those suffering from **EPILEPSY** should avoid looking directly into the light source of this unit at all times.
- Always disconnect from main power source before performing any type of service and/or cleaning procedure. Only handle the power cord by the plug end, never pull out the plug by tugging the wire portion of the cord.
- Do not operate this fixture if the power cord has become frayed, crimped and/or damaged. If the power cord is damaged, replace it immediately with a new one of similar power rating.

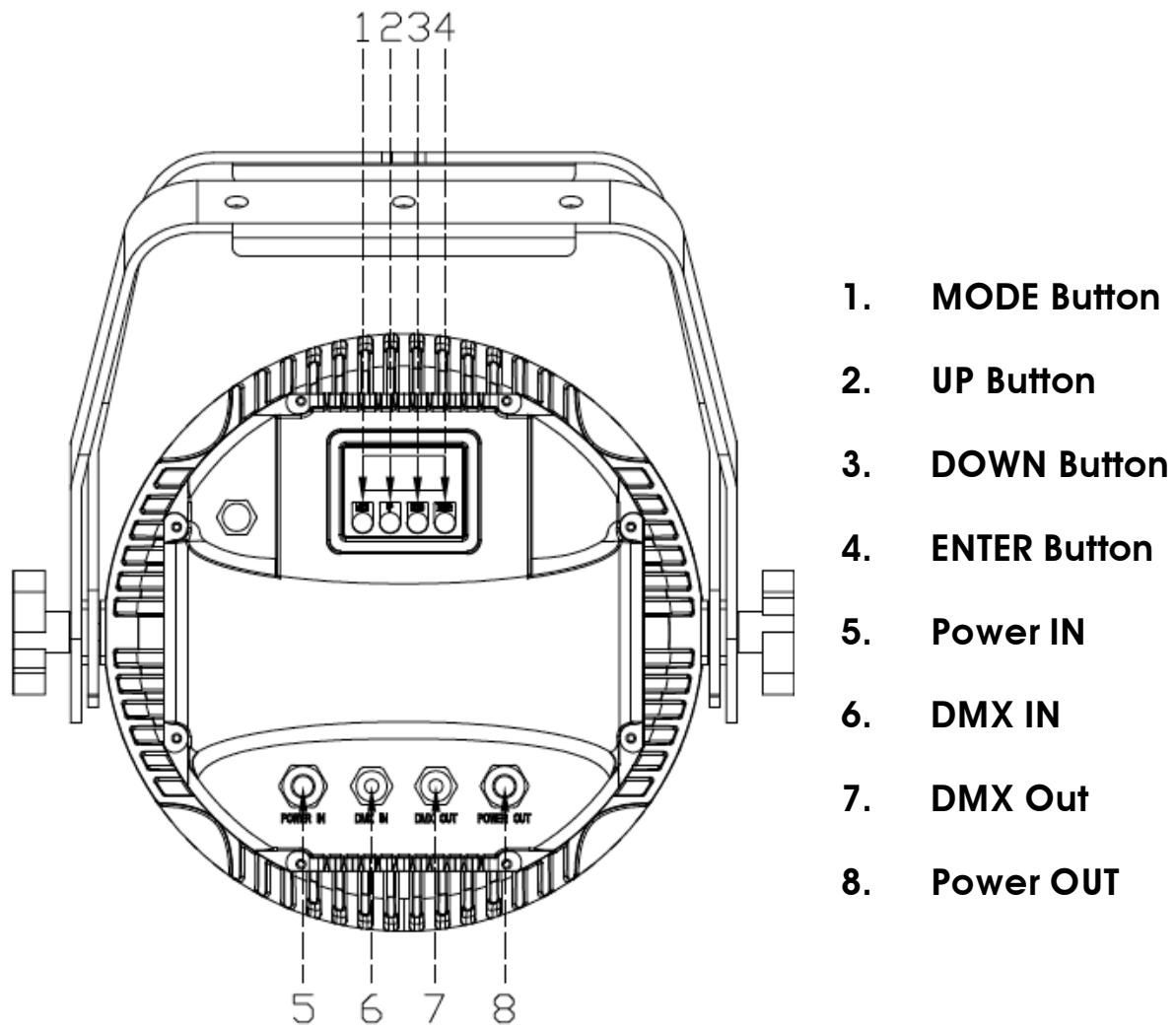
GENERAL GUIDELINES

NEVER OPEN THIS FIXTURE WHILE IN USE!



- **Ensure ALL connections and end caps are properly sealed with a dielectric grease (available at most electrical suppliers) to prevent water corrosion and/or electrical short circuit.**
- During the initial operation of this fixture, a light smoke or smell may emit from the interior of the fixture. This is a normal process and is caused by excess paint in the interior of the casing burning off from the heat associated with the lamp and will decrease gradually over time.
- Please make sure there are **NO FLAMMABLE MATERIALS** close to the fixture while operating, to prevent any fire hazard.
- **Minimum** distance of inflammable materials from the surface **1.6 feet (0.5m)**.
- **DO NOT** attempt installation and/or operation without knowledge how to do so.
- **DO NOT** allow operation by persons who are not qualified to operate this type of fixture. Most damages are the result of operations by nonprofessionals.
- Consistent operational breaks may ensure the fixture will function properly for many years to come.
- **DO NOT** shake fixture, avoid brute force when installing and/or operating fixture.
- Always install the fixture with an appropriate safety cable. When installing the fixture in a suspended environment, always use mounting hardware that is no less than M10 x 25 mm, also be sure the hardware is insert in the pre-arranged screw holes in the bracket of the fixture.
- Use the original packaging and materials to transport the fixture in for service.
- **DO NOT TOUCH** the housing bare-hand during its operation. Turn OFF the power and allow approximately 15 minutes for the fixture to cool down before replacing or serving.

FIXTURE OVERVIEW



FIXTURE INSTALLATION



FLAMMABLE MATERIAL WARNING

Keep fixture at least 5.0 ft (1.5m) away from any flammable materials, decorations, pyrotechnics, etc.



ELECTRICAL CONNECTIONS

A qualified electrician should be used for all electrical connections and/or installations.



CAUTIONS

- For added protection, mount the fixture in areas outside walking paths, seating areas, or in areas where unauthorized personnel might reach the fixture.
- Min/Max ambient operating temperature for this fixture is **5°F to 113°F (-15°C to 45°C)**.
- Do not use the fixture under or above this temperature.
- Before mounting the fixture to any surface, make sure the installation area can hold a minimum point load of 10 times the weight of the fixture. **(126 lbs / 57 kg)**
- Fixture installation must always be secured with a secondary safety attachment, such as an appropriate safety cable.
- Never stand directly below the device when mounting, removing or servicing.



Ensure ALL connections and end caps are properly sealed with a dielectric grease (available at most electrical suppliers) to prevent water corrosion and/or electrical short circuit.



POWER LINKING

Max number of units that can be power linked is **8 units @110V** and **18 units @240V**.

CLAMP MOUNTING

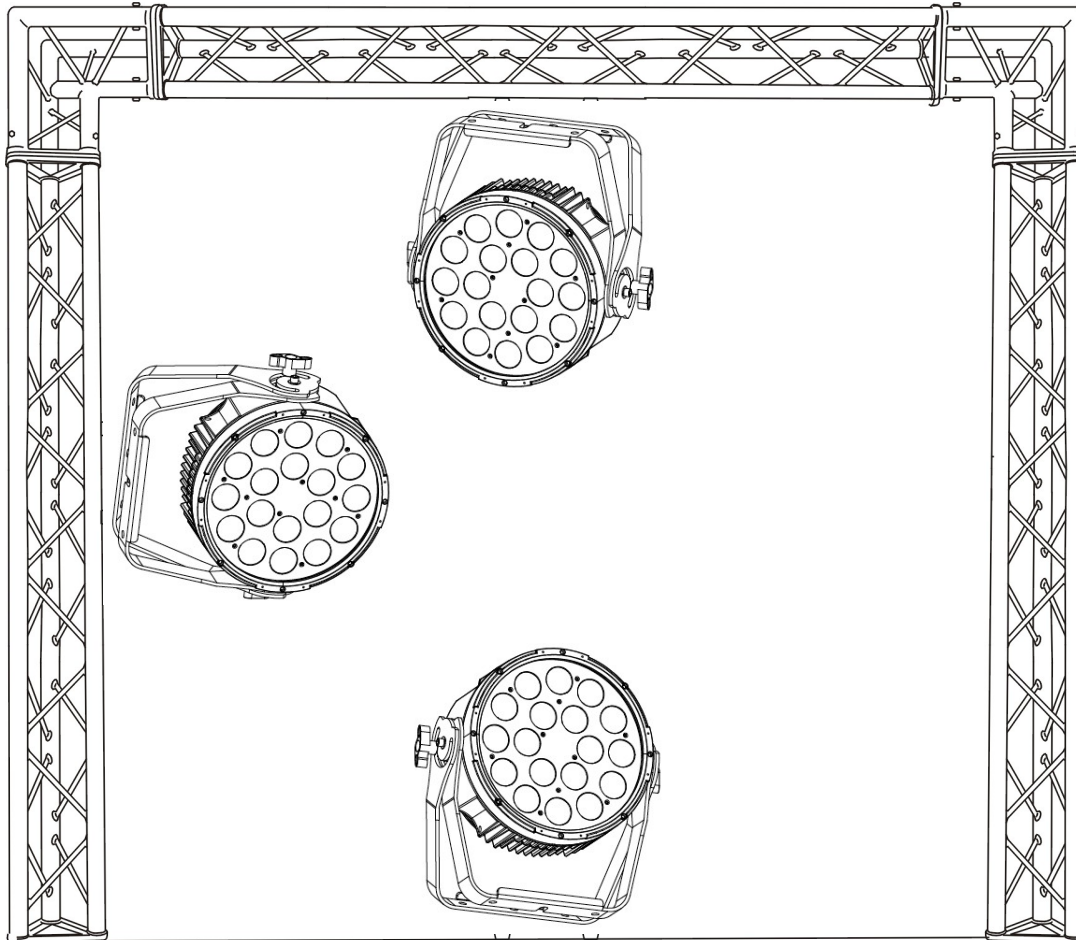
The **SIXPAR 200IP™** provides a unique integrated Dual Yoke / Floor Stand. When mounting this fixture to truss be sure to secure an appropriately rated clamp using an M10 screw fitted through the center hole of the Dual Yoke / Floor Stand.

SECURING

Regardless of the rigging option you choose for your **SIXPAR 200IP™** always be sure to secure your fixture with a safety cable.

MOUNTING POINTS

- Overhead mounting requires extensive experience, including amongst others calculating working load limits, installation material being used, and periodic safety inspection of all installation material and the device. If you lack these qualifications, do not attempt the installation yourself. Improper installation can result in bodily injury.
- Fixture is fully operational in the specific mounting positions as illustrated below.



SAFETY CABLE

Always use a Safety Cable whenever installing this fixture in a suspended environment to ensure the fixture will not drop if the clamp fails.

U N D E R S T A N D I N G D M X

DMX-512

DMX is short for Digital Multiplex. This is a universal protocol used by most lighting and controller manufactures as a form of communication between intelligent fixtures and controllers. DMX allows all makes and models of different manufactures to be linked together and operate from a single controller. This is possible as long as all the fixtures and the controller are DMX compliant. A DMX controller sends the DMX data instructions to the fixture allowing the user to control the different aspects of an intelligent light. DMX data is sent out as serial data that travels from fixture to fixture via data "IN" and data "OUT" XLR terminals located on the fixtures (most controllers will only have output jacks).

DMX LINKING

To ensure proper DMX data transmission, always use the **SIXPAR™** series IP rated DMX cables listed in the **OPTIONAL ACCESSORIES** section at the end of this manual. When using several DMX fixtures try to use the shortest cable path possible. Never split a DMX line with a "Y" style connector. The order in which the fixtures are connected in a DMX line does not influence the DMX addressing. For example; a fixture assigned a starting DMX address of 1 may be placed anywhere in the DMX chain, at the beginning, at the end, or anywhere in the middle. The DMX controller knows to send data assigned to address 1 to that fixture no matter where it is located in the DMX chain. The **SIXPAR 200IP™** can be controlled via DMX-512 protocol and the DMX address is set via the control menu.

DATA CABLE (DMX Cable) REQUIREMENTS (For DMX and Master/Slave Operation)

Your fixture and your DMX controller require a standard 3pin or 5pin XLR connector for data input and data output (see figure below). Also, remember that a DMX line must be daisy chained and cannot be split.

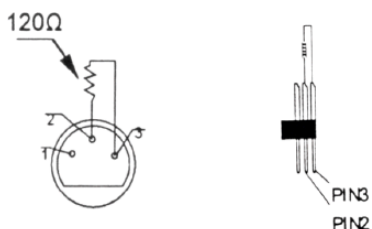
DMX-512 CONTROLLER CONNECTION

Connect the provided XLR cable to the female XLR output of your controller and the other side to the male XLR input of the **SIXPAR 200IP™**. The diagram below illustrates a typical DMX-512 connection when the fixture is in the **12 Channel Mode**. You can chain multiple panels together through serial linking. Always be sure daisy chain your in and out data connections, never split or “Y” your DMX connections.



DMX-512 CONNECTION WITH DMX TERMINATOR

A DMX terminator should be used in all DMX lines especially in longer runs. The use of a terminator may avoid erratic behavior in your DMX line. A terminator is a 120 ohm, 1/4 watt resistor that is connected between pins 2 and 3 of a male XLR connector (DATA + and DATA -). This fixture is inserted in the female XLR connector of the last fixture in your daisy chain to terminate the line. Using a line terminator will decrease the possibilities of erratic behavior. Use the **SIXPAR™ DMX Terminator End Cap** listed in the **OPTIONAL ACCESSORIES** section at the end of this manual.



Termination reduces signal errors and avoids signal transmission problems and interference. It is always advisable to connect a DMX terminal, (Resistance 120 Ohm 1/4 W) between PIN 2 (DMX-) and PIN 3 (DMX +) of the last fixture.

DMX ADDRESSING

All fixtures should be given a DMX starting address when using a DMX controller, so the correct fixture responds to the correct control signal. This digital starting address is the channel number from which the fixture starts to “listen” to the digital control information sent out from the DMX controller. The allocation of this starting DMX address is achieved by setting the correct DMX address on the digital display located on the back of the fixture.

You can set the same starting address for all fixtures or a group of fixtures, or set different address for each individual fixture. Be advised that setting all fixtures to the same DMX address will subsequently control all fixtures in the same fashion, in other words, changing the settings of one channel will affect all the fixtures simultaneously.

If you set each fixture to a different DMX address, each unit will start to “listen” to the channel number you have set, based on the quantity of control channels (DMX channels) of each fixture. That means changing the settings of one channel will only affect the selected fixture.

In the case of the **SIXPAR 200IP™**, when in the **12 Channel Mode** you should set the starting DMX address of the first unit to 1, the second unit to 13 (1 + 12), the third unit to 25 (13 + 12), and so on.

Note: During start-up the **SIXPAR 200IP™** will automatically detect whether a DMX data signal is being received or not. If the fixture is not receiving a DMX signal please check the following:

- The 3pin or 5pin XLR input plug (cable with DMX signal from controller) is not connected or is not inserted completely into the DMX input jack of the fixture.
- The DMX controller is switched off or defective.
- The DMX cable or connector is defective.
- A DMX terminator has been inserted into the last fixture in your DMX chain.

FIXTURE MENU

ON-BOARD SYSTEM MENU

The **SIXPAR 200IP™** comes with an easy to navigate system menu. The next sections will cover how to access each menu function.

LCD CONTROL PANEL DISPLAY

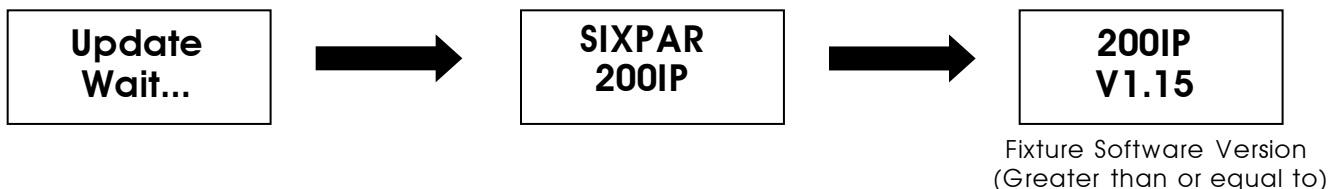
The (4) button control panel (see image below) located on back of the fixture allows you to access the main menu and make all necessary adjustments to the **SIXPAR 200IP™**.

During normal operation, pressing the **MODE** button will navigate through the different function menus. Once you reach a desired menu, press the **ENTER** button to select that menu. The variable field that can be adjusted within the selected menu will begin to flash. Using the **UP** or **DOWN** buttons, adjust the field until the desired value is displayed. For example, the **CHANNEL CH:** menu variable field can be set to **06, 07, 08, or 12**. Pressing the **ENTER** button once will confirm your selected value. Exit at any time without making any adjustments by pressing the **MODE** button.



INFORMATION DISPLAYED DURING INITIAL POWER ON

When the fixture is initially powered ON, the display shows the following information:



LCD CONTROL PANEL LOCKOUT

When **AutoLock** menu is set to **ON**, the LCD backlight will turn OFF after 30 seconds and the Control Panel will lock and the display will show **LOCKED*******. Press and hold the **MODE** button for 5 seconds to unlock.

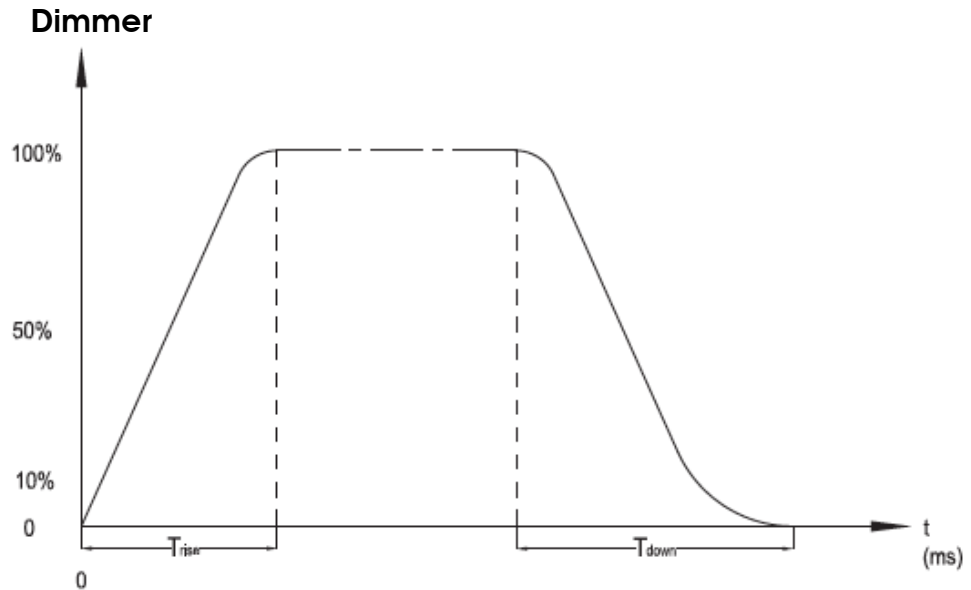
When **AutoLock** menu is set to **ON1**, the LCD backlight will turn OFF after 30 seconds and the Control Panel will lock and the display will show **LOCKED*******. To unlock the Control Panel, follow these steps:

1. When locked, the display will show: **LOCKED*******
2. Press **UP**, then the display will change to: **LOCKED****** (one * disappears)
3. Press **DOWN**, then the display will change to: **LOCKED***** (two * disappear)
4. Press **UP**, then the display will change to: **LOCKED**** (three * disappear)
5. Press **DOWN**, then the display will change to: **LOCKED*** (four * disappear)
6. Press **ENTER**, then the display will change to **LOCKED** and then become unlocked.

ELATION© SIXPAR 200 IP™		
SYSTEM MENU		
Specifications are subject to change without any prior written notice.		
MENU	OPTIONS / VALUES	DESCRIPTION
CHANNEL	CH: 06, 07, 08, 12	DMX Channel Mode
DMX MODE	ADDR: 001 ~ 512	DMX Address Setting
SLAVE MODE	SALVE MODE	Set Fixture A Slave Unit
Display ON	ON	LCD Display Always ON
	OFF	LCD Display OFF after 30 seconds
	OFF1	LCD Display OFF After 30 Seconds and LOCKED
Internal Programs	1.MANUAL	Manual Color Adjustment
	R00-99	Adjust RED Brightness (00-99)
	G00-99	Adjust GREEN Brightness (00-99)
	B00-99	Adjust BLUE Brightness (00-99)
	W00-99	Adjust WHITE Brightness (00-99)
	A00-99	Adjust AMBER Brightness (00-99)
	U00-99	Adjust UV Brightness (00-99)
	S00-99	Adjust STROBE SPEED 00 SLOW (0.1Hz) – 99 FAST
	2.CHANGE	30 Color Chase Macro
	SP01-99	Adjust SPEED 01 SLOW – 99 FAST
	S00-99	Adjust STROBE SPEED 00 SLOW (0.1Hz) – 99 FAST
	3.CHANG6	6 Color Chase Macro
	SP01-99	Adjust SPEED 01 SLOW – 99 FAST
	S00-99	Adjust STROBE SPEED 00 SLOW (0.1Hz) – 99 FAST
	4.FADE	Color Fade Macro
SP01-99	Adjust SPEED 01 SLOW - 99 FAST	
S00-99	Adjust STROBE SPEED 00 SLOW (0.1Hz) - 99 FAST	
DimCurve	Standard , Stage, TV, Architec, Theatre	Set Dimming Curve
NO DMX	Blackout	NO Output
	Hold	Hold Last Setting
	Fade	Fade

DIMMING CURVES

The **DimCurve** menu allows you to select one of the following preset dimming curves: **Standard**, **Stage**, **TV**, **Architec**, or **Theatre**. (See diagram below for more details)



Ramp Effect	OS (Fade Time)		1S (Fade Time)	
	T_{rise} (ms)	T_{down} (ms)	T_{rise} (ms)	T_{down} (ms)
Standard	0	0	0	0
Stage	780	1100	1540	1660
TV	1180	1520	1860	1940
Architectural	1380	1730	2040	2120
Theatre	1580	1940	2230	2280

DMX CHANNEL FUNCTIONS AND VALUES

ELATION© SIXPAR					
DMX Channel Values / Functions (12 DMX Channels)					
Specifications are subject to change without any prior written notice.					
MODE / CHANNEL				VALUE	FUNCTION
6 CH	7 CH	8 CH	12 CH		
1	1	1	1		RED
				0-255	Red (0-100%)
2	2	2	2		GREEN
				0-255	Green (0-100%)
3	3	3	3		BLUE
				0-255	Blue (0-100%)
4	4	4	4		WHITE
				0-255	White (0-100%)
5	5	5	5		AMBER
				0-255	Amber (0-100%)
6	6	6	6		U. V.
				0-255	U. V. (0-100%)
	7	7	7		MASTER DIMMER
				0-255	Dimmer (0-100%)
		8	8		STROBE
				0-31	LED OFF (NO STROBE)
				32-95	Strobe Effect SLOW to FAST
				96-127	LED ON (NO STROBE)
				128-159	Strobe Pulse Effect In Sequences SLOW to FAST
				160-191	LED ON (NO STROBE)
				192-223	Random Strobe Effect SLOW to FAST
				224-255	LED ON (NO STROBE)

ELATION© SIXPAR					
DMX Channel Values / Functions (12 DMX Channels)					
Specifications are subject to change without any prior written notice.					
MODE / CHANNEL				VALUE	FUNCTION
6 CH	7 CH	8 CH	12 CH		
					COLOR MACROS
				0-3	OFF
				4-7	RED
				8-11	GREEN
				12-15	BLUE
				16-19	WHITE
				20-23	AMBER
				24-27	UV
				28-31	RED + GREEN
				32-35	RED + BLUE
				36-39	RED + WHITE
				40-43	RED + AMBER
				44-47	RED + UV
				48-51	GREEN + BLUE
				52-55	GREEN + WHITE
				56-59	GREEN + AMBER
				60-63	GREEN + UV
				64-67	BLUE + WHITE
				68-71	BLUE + AMBER
			9	72-75	BLUE + UV
				76-79	WHITE + AMBER
				80-83	WHITE + UV
				84-87	AMBER + UV
				88-91	RED + GREEN + BLUE
				92-95	RED + GREEN + WHITE
				96-99	RED + GREEN + AMBER
				100-103	RED + GREEN + UV
				104-107	RED + BLUE + WHITE
				108-111	RED + BLUE + AMBER
				112-115	RED + BLUE + UV
				116-119	RED + WHITE + AMBER
				120-123	RED + WHITE + UV
				124-127	RED + AMBER + UV
				128-131	GREEN + BLUE + WHITE
				132-135	GREEN + BLUE + AMBER
				136-139	GREEN + BLUE + UV
				140-143	GREEN + WHITE + AMBER
				144-147	GREEN + WHITE + UV
				148-151	GREEN + AMBER + UV

ELATION© SIXPAR					
DMX Channel Values / Functions (12 DMX Channels)					
Specifications are subject to change without any prior written notice.					
MODE / CHANNEL				VALUE	FUNCTION
6 CH	7 CH	8 CH	12 CH		
					COLOR MACROS (continued)
			9	152-155	BLUE + WHITE + AMBER
				156-159	BLUE + WHITE + UV
				160-163	BLUE + AMBER + UV
				164-167	WHITE + AMBER + UV
				168-171	RED + GREEN + BLUE + WHITE
				172-175	RED + GREEN + BLUE + AMBER
				176-179	RED + GREEN + BLUE + UV
				180-183	RED + GREEN + WHITE + AMBER
				184-187	RED + GREEN + WHITE + UV
				188-191	RED + GREEN + AMBER + UV
				192-195	RED + BLUE + WHITE + AMBER
				196-199	RED + BLUE + WHITE + UV
				200-203	RED + BLUE + AMBER + UV
				204-207	RED + WHITE + AMBER + UV
				208-211	GREEN + BLUE + WHITE + AMBER
				212-215	GREEN + BLUE + WHITE + UV
				216-219	GREEN + BLUE + AMBER + UV
				220-223	GREEN + WHITE + AMBER + UV
				224-227	BLUE + WHITE + AMBER + UV
				228-231	RED + GREEN + BLUE + WHITE + AMBER
				232-235	RED + GREEN + BLUE + WHITE + UV
				236-239	RED + GREEN + BLUE + AMBER + UV
				240-243	RED + GREEN + WHITE + AMBER + UV
				244-247	RED + BLUE + WHITE + AMBER + UV
				248-251	GREEN + BLUE + WHITE + AMBER + UV
				252-255	RED + GREEN + BLUE + WHITE + AMBER + UV
					COLOR CHASE MACROS
			10	00-20	NO Function
				21-40	30 Color Chase
				41-60	6 Color Chase
				61-80	Color Fade Chase
				81-255	NO Function
			11		COLOR CHASE MACROS SPEED
				00-255	Chase Speed of CHANNEL 10 - SLOW to FAST
					DIMMING MODES
			12	0-20	STANDARD
				21-40	STAGE
				41-60	TV
				61-80	ARCHITECTURAL
				81-100	THEATER
				101-255	NO Function

CLEANING AND MAINTENANCE



C A U T I O N

Disconnect power before cleaning or maintenance.

CLEANING

Frequent cleaning is recommended to insure proper function, optimized light output, and an extended life. The frequency of cleaning depends on the environment in which the fixture operates: damp, smoky or particularly dirty environments can cause greater accumulation of dirt on the fixture's optics.

- Clean the external lens surface at least every 20 days with a soft cloth to avoid dirt/debris accumulation. Never use alcohol, solvents, or ammonia based cleaners.

MAINTENANCE

Regular inspections are recommended to insure proper function and extended life. There are no user serviceable parts inside this fixture, please refer all other service issues to an authorized Elation service technician. Should you need any spare parts, please order genuine parts from your local Elation dealer.

Please refer to the following points during routine inspections:

- A detailed electric check by an approved electrical engineer every 3 months, to make sure the circuit contacts are in good condition and prevent overheating.
- Be sure all screws and fasteners are securely tightened at all times. Loose screws may fall out during normal operation resulting in damage or injury.
- Check for any deformations on the housing, color lenses, rigging hardware and rigging points (ceiling, suspension, trussing). Deformations in the housing could allow for dust to enter into the fixture. Damaged rigging points or unsecured rigging could cause the fixture to fall and seriously injure a person(s).
- Inspect all moving parts and make sure there are no signs of wear and rotate/move without imbalances.
- Electric power supply cables must not show any damage, material fatigue or sediments. Never remove the ground prong from the power cable.

TECHNICAL SPECIFICATIONS

FEATURES

IP65 Rated
15° Beam 25° Field Angles
5 Variable Dimming Curve Modes
Dual Yoke / Floor Stand
Multiple Unit Power Linking
RDM - Remote Device Management
Rugged Die-Cast Aluminum Exterior
Flicker Free Operation for TV and FILM

SOURCE

(12) 12W 6-in-1 RGBAW+UV LEDs
100,000-Hour Average LED Life

EFFECTS

Electronic Strobe
Color and Chase Macros
Electronic Dimming: 0% - 100%
5 Variable Dimming Curve Modes

CONTROL / CONNECTIONS

(4) DMX Channel Modes (6 / 7 / 8 / 12)
(4) Button Touch Control Panel
LCD Menu Display
IP DMX and Power In/Out

SIZE / WEIGHT

Length: 12.3" (313mm)
Width: 6.2" (157mm)
Vertical Height: 11.8" (300mm)
Weight: 12.6 lbs. (5.7 kg)

ELECTRICAL / THERMAL

AC 110-250V - 50/60Hz
150W Max Power Consumption
Power Linking: 8pcs @110V / 18pcs @240V
5°F to 113°F (-15°C to 45°C)

APPROVALS / RATINGS

CE | IP65**

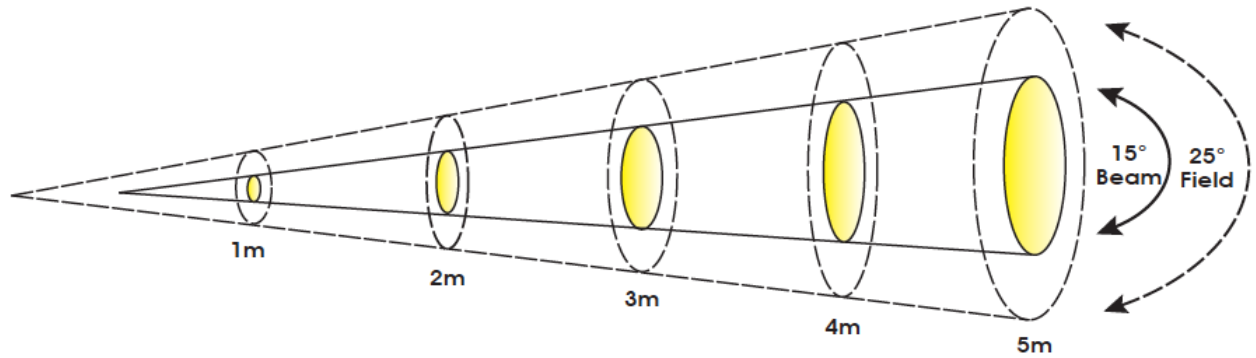


Intertek

**Optional Corrosion-Resistant Coating may be available for this fixture. Please consult an Elation sales representative for details.

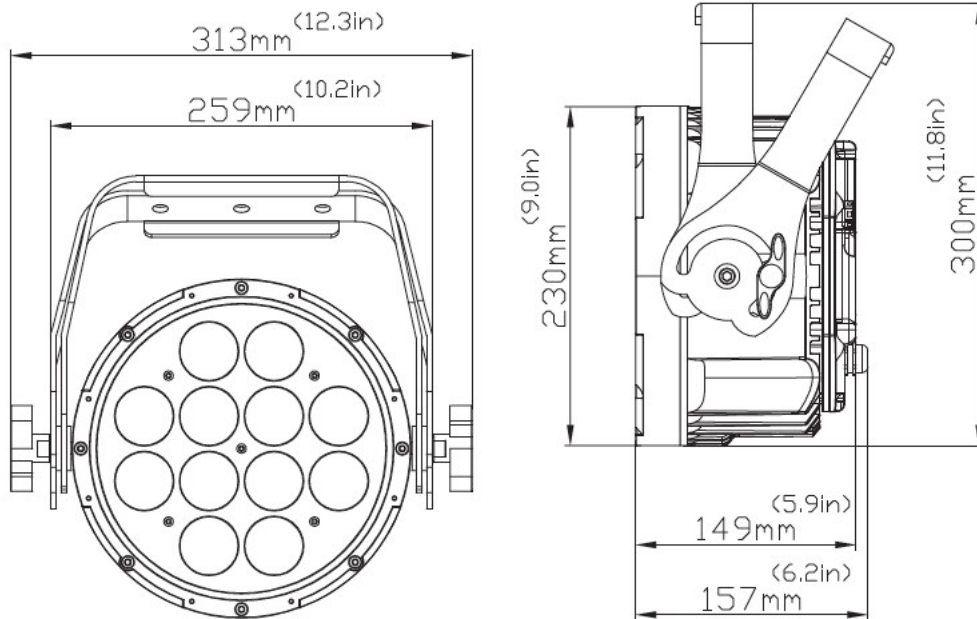
Please Note: Specifications and improvements in the design of this unit and this manual are subject to change without any prior written notice.

PHOTOMETRIC DATA



	m		ft		m		ft		m		ft	
	1	3.3	2	6.6	3	9.8	4	13.1	5	16.4		
15° Beam Diameter	0.4	1.3	0.64	2.1	0.85	2.8	1.05	3.4	1.32	4.3		
25° Field Diameter	0.45	1.5	0.88	2.9	1.33	4.4	1.77	5.8	2.21	7.3		
	lux	fc	lux	fc	lux	fc	lux	fc	lux	fc		
RED LEDs	3,380	314	862	80	386	36	195	18	126	12		
GREEN LEDs	5,360	498	1,392	129	632	59	334	31	221	21		
BLUE LEDs	6,710	623	1,755	163	804	75	436	41	288	27		
WHITE LEDs	5,830	542	1,535	143	704	65	375	35	247	23		
AMBER LEDs	2,470	229	645	60	294	27	162	15	102	9		
UV LEDs	1,177	109	308	29	138	13	78	7	49	5		
FULL ON	22,250	2,067	5,600	520	2,500	232	1,360	126	930	86		

DIMENSIONAL DRAWINGS



Please Note: Specifications and improvements in the design of this unit and this manual are subject to change without any prior written notice

OPTIONAL ACCESSORIES

ORDER CODE	ITEM
TRIGGER CLAMP	Heavy Duty Wrap Around Hook Style Clamp
SIXPAR200/GFH	Gel Frame and Holder Kit
SIXPAR/BD200	Barn Door (Gel Frame Holder Kit Required - Not Included)
EWD001	EWDMX IP Wireless IP65 DMX Transceiver
SIXPAR/2MDLC	6.6 ft. (2m) IP Data Link Cable
SIXPAR/2MPLC	6.6 ft. (2m) IP Power Link Cable
SIXPAR/3MDLC	9.8 ft. (3m) IP Data Link Cable
SIXPAR/3MPLC	9.8 ft. (3m) IP Power Link Cable
SIXPAR/5MDLC	**SPECIAL ORDER ITEM** 16.4 ft. (5m) IP Data Link Cable
SIXPAR/5MPLC	**SPECIAL ORDER ITEM** 16.4 ft. (5m) IP Power Link Cable
SIXPAR/10MDLC	**SPECIAL ORDER ITEM** 32.8 ft. (10m) IP Data Link Cable
SIXPAR/10MPLC	**SPECIAL ORDER ITEM** 32.8 ft. (10m) IP Power Link Cable
SIXPAR/20MDLC	**SPECIAL ORDER ITEM** 65.6 ft. (20m) IP Data Link Cable
SIXPAR/20MPLC	**SPECIAL ORDER ITEM** 65.6 ft. (20m) IP Power Link Cable
SIXPAR/DIAC	Data IN IP Adapter Cable
SIXPAR/DOAC	Data OUT IP Adapter Cable
SIXPAR/PIAC	Power IN IP Adapter Cable
SIXPAR/POAC	Power OUT Adapter Cable
SIXPAR/TERMINATOR	DMX Terminator End Cap

