



PLATINUM FLX™

SKU# EPF001



The new award winning Platinum FLX™ is an innovative full featured patent pending design 3-in-1 luminaire which can be utilized as a beam, spot, or wash fixture, featuring the brand new Philips™ MSD Platinum 20R 470W 80CRI lamp, 7,800K, 23,000 total lumens delivering comparable output to 1,200W fixtures, 1.8° to 18° zoom in beam mode and 2.9° to 25° zoom in spot mode, 6° - 42° zoomable wash / frost effect, full CMY color mixing plus linear CTO color correction, 10 dichroic colors including UV, and CTB, 8 rotating-interchangeable and 6 static-stamped gobos, 6-way linear and 8-facet rotating prisms, bi-directional animation and zoomable wash / frost effects, DMX, RDM (Remote Device Management), KlingNET™, Art-NET and sACN support, 5pin DMX, RJ45 Ethernet, and powerCON connections, (6) button control full color 180° reversible menu display, 740W max power consumption, and a multi-voltage universal auto switching power supply (100-240v).



FEATURES

Patent Pending Beam, Spot, and Wash 3-in-1 Luminaire

New Philips™ MSD Platinum 20R 470W 80CRI Lamp

23,000 Total Lumens, 7,800K, 1,500 average hours*

Comparable Output To 1,200W Fixtures

Minimal LUX Loss in Spot Mode

1.8° - 18° Beam and 2.9° - 25° Spot Zoom

6° - 42° Zoomable Wash / Frost Effect

6-Way Linear and 8-Facet Rotating Prisms

Bi-Directional Animation and Zoomable Wash/Frost Effects

Full CMY Color Mxing and Linear CTO Color Correction

10 Dichroic Colors Including UV, CTB, + White

8 Rotating Interchangeable + 6 Static-Stamped Gobos

RDM, KlingNET™, Art-NET and sACN (DMX Over Ethernet)



PRODUCT SPECIFICATIONS

SOURCE

Philips™ MSD Platinum 20R 470W Lamp
1,500 Hour Average Lamp Life*

*Lamp Life may vary depending on several factors including but not limited to: Environmental Conditions, Power/Voltage, Usage Patterns (On-Off Cycling), Control and Dimming.

PHOTOMETRIC DATA

23,000 Total Lumens, 7,800K, 80CRI
360,000 LUX 33,444 FC @32.8' (10m) (1.8° Beam Mode)
165,500 LUX 15,375 FC @32.8' (10m) (2.9° Spot Mode)

EFFECTS

6-Way Linear and 8-Facet Rotating Prisms
Bi-Directional Animation
6° - 42° Zoomable Wash / Frost Filter
Strobe and Electronic Dimming

COLOR

Full CMY Color Mixing
Linear CTO Color Correction
10 Dichroic Colors Including UV and CTB

GOBOS

(2) Gobo Wheels
(8) Interchangeable / Rotating / Indexing Gobos
(6) Static-Stamped Gobos (Indexing Wheel)

CONTROL / CONNECTIONS

(3) DMX Channel Modes (24 / 26 / 37)
RDM (Remote Device Management)
6 Button Touch Control Panel
Full Color 180° Reversible LCD Menu Display
8 / 16 Bit Resolution Adjustable Movement
5pin DMX In/Out
RJ45 Ethernet In/Out (KlingNET™, Art-NET, sACN)
powerCON Power In

SIZE / WEIGHT

Length: 18.3" (466mm)
Width: 20.9" (532mm)
Vertical Height: 30.0" (762mm)
Weight: 75.0 lbs. (34.0 kg)

ELECTRICAL / THERMAL

AC 100-240V - 50/60Hz
740W Max Power Consumption
14°F to 113°F (-10°C to 45°C)

APPROVALS / RATINGS



OPTIONAL ACCESSORIES

ORDER CODE	ITEM
TRIGGER CLAMP	Heavy Duty Wrap Around Hook Style Clamp
DRCLXTOUR	Touring Dual Road Case For Platinum FLX™
EWDMXSYSTEM	Wireless DMX System (Transmitter & Receiver)
AC5PDMX5PRO	5 ft. (1.5m) 5pin PRO DMX Cable
CAT005	5' (1.5m) CAT6 EtherCON Cable
	Additional cable lengths available

PHOTOMETRIC DATA

BEAM MODE	10 m	32.8 ft	15 m	49.2 ft	20 m	65.6 ft
1.8° Min	0.31	1.0	0.47	1.5	0.62	2.0
18° Max	3.16	10.4	4.75	15.6	6.32	20.7
	lux	fc	lux	fc	lux	fc
1.8° FULL ON	360,000	33,444	169,000	15,700	90,100	8,370
18° FULL ON	12,000	1,115	5,420	504	3,100	288
	lux	fc	lux	fc	lux	fc
SPOT MODE	10 m	32.8 ft	15 m	49.2 ft	20 m	65.6 ft
2.9° Min	0.6	2.0	0.8	2.6	1.0	3.3
25° Max	6.08	19.9	8.1	26.6	10.2	33.5
	lux	fc	lux	fc	lux	fc
2.9° FULL ON	165,500	15,375	95,500	8,872	59,020	5,483
25° FULL ON	2,657	247	1,497	139	907	84
	lux	fc	lux	fc	lux	fc

COLORS AND GOBOS*

*Not To Scale - For Illustrations Purposes Only - Subject To Change Without Notice

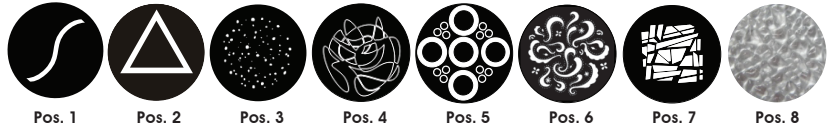
COLOR WHEEL



COLOR FLAGS



INTERCHANGEABLE-ROTATING GOBO WHEEL 1 - OD: Ø16.1mm ID: Ø10.0mm**



STATIC-STAMPED GOBO WHEEL 2



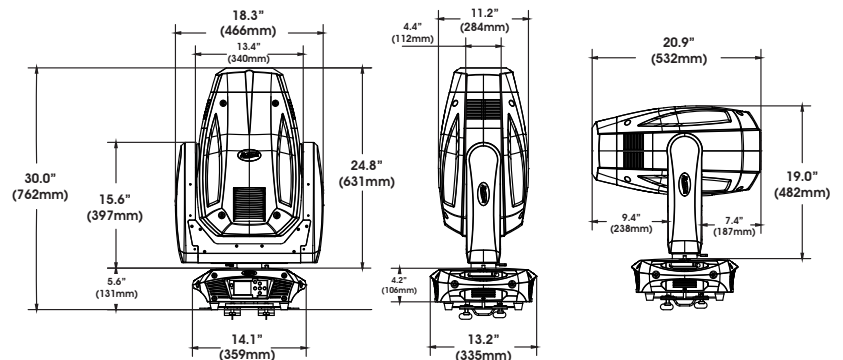
BI-DIRECTIONAL ANIMATION WHEEL



****IMPORTANT NOTICE REGARDING GOBO DIMENSIONS AND CUSTOM GOBOS**

OD = Outside Diameter | ID = Image Diameter
Due to varying manufacturing processes, it is highly recommended to provide a gobo and holder sample from the fixture to 3rd party custom gobo vendors for accurate sizing.

DIMENSIONAL DIAGRAMS



Specifications are subject to change without notice ©Elation Professional 2/01/17

