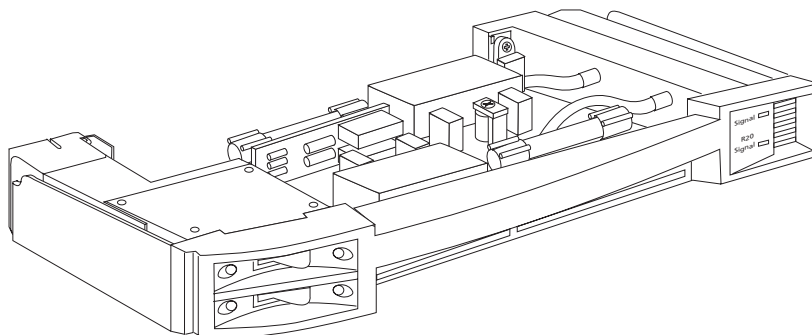




100V 120V

Special Purpose Series



GENERAL INFORMATION

The Relay Module is a dual, plug-in mechanical relay assembly for use in the Unison Dimming Series rack enclosures. Each Relay Module provides two electrically held relays, in the same form factor as standard dimmer modules. This enables designers to mix and match dimmer and relays for control of diverse loads. Ideal for control of non-dimmable load types such as HID lamps.

APPLICATIONS

- Designed for use in Unison 100-120V Unison DRd rack enclosures
- High Intensity Discharge ballasts (Metal Halide and High Pressure Sodium)
- Non-dimmed On/Off loads
- Motors
- Power for fans and standard outlets
- Moving lights, fog machines and other powered effects

FEATURES

- Two 1.8kW or 2.4kW circuits per module
- Level-activated mechanical relays
- High-density modular assembly
- Die-cast aluminum chassis
- Fully magnetic circuit breakers

GENERAL

- 100,000A Short Circuit Current Rating (SCCR)
- UL and cUL LISTED

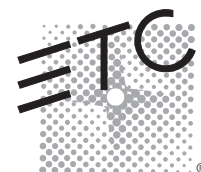
ORDERING INFORMATION

100-120 Volt Relay Modules

MODEL	DESCRIPTION
R15	Dual 15A Relay Module
R20	Dual 20A Relay Module

Compatible Systems

MODEL	DESCRIPTION
DRd6-12-120	100-120V 6 module rack enclosure (12 circuits)
DRd12-24-120	100-120V 12 module rack enclosure (24 circuits)



SPECIFICATIONS

GENERAL

- Dual density, plug in assembly, for use in Unison Dimming Series rack enclosures
- UL and cUL Listed for continuous duty at 100% of rated load
 - R15 – 1.8kW
 - R20 – 2.4kW

PHYSICAL

- Cast aluminum chassis, finished with textured epoxy paint

CIRCUIT BREAKERS

- Fully magnetic to eliminate nuisance tripping
- 20x inrush current rating
- 125%, 10-120 seconds, must-trip rating
- Rated for 100% switching duty applications

ELECTRICAL RATINGS

- 100,000A Short Circuit Current Rating (SCCR)
- Modules withstand hot-patching of cold loads up to full rating
- UL and cUL LISTED

RELAYS

- 15 or 20 amp, level-activated mechanical relay
 - Rated for 200,000 full load activations
 - Rated for 5 million no load activations
- R15 rated for 0.75HP at 13.8A
- R20 rated for 1.50HP at 20.0A
- Rated for 20A General Purpose, 10A Tungsten and 1.5 HP Motor Maximum

POWER DEVICE

- Sealed, patented assembly
- 4000V isolation between control and power components
- Integral bonded heatsink

PHYSICAL

Module Dimensions

MODEL	HEIGHT		WIDTH		DEPTH	
	inches	mm	inches	mm	inches	mm
R15	1.5	38	11.8	300	4.9	124
R20	1.5	38	11.8	300	4.9	124

Module Weights

MODEL	WEIGHT		SHIPPING WEIGHT	
	lbs	kgs	lbs	kgs
R15/R20	2.6	1.2	3.5	1.6

Maximum BTU Production per module

MODEL	BTUS	WATTS	EFFICIENCY
R15	<10	<4	>99.0%
R20	<10	<4	>99.0%

These values should be provided to a qualified HVAC design engineer, along with dimmer quantities, types and dimmer room dimensions, to calculate dimmer room air handling requirements.

Dimmer room HVAC systems must at all times maintain the specified ambient temperature **at the dimmer rack**. Dimming systems operating within 10°F of the upper or lower temperature limits must strictly follow installation and operation guidelines to operate reliably.



Corporate Headquarters • 3031 Pleasant View Rd, PO Box 620979, Middleton WI 53562 0979 USA • Tel +1 608 831 4116 • Fax +1 608 836 1736
London, UK • Unit 26-28, Victoria Industrial Estate, Victoria Road, London W3 6UU, UK • Tel +44 (0)20 8896 1000 • Fax +44 (0)20 8896 2000

Rome, IT • Via Ennio Quirino Visconti, 11, 00193 Rome, Italy • Tel +39 (06) 32 111 683 • Fax +44 (0) 20 8752 8486

Holzkirchen, DE • Ohmstrasse 3, 83607 Holzkirchen, Germany • Tel +49 (80 24) 47 00-0 • Fax +49 (80 24) 47 00-3 00

Hong Kong • Room 1801, 18/F, Tower 1 Phase 1, Enterprise Square, 9 Sheung Yuet Road, Kowloon Bay, Kowloon, Hong Kong • Tel +852 2799 1220 • Fax +852 2799 9325

Web • www.etcconnect.com • Copyright©2008 ETC. All Rights Reserved. All product information and specifications subject to change. 7083L1011 Rev. A Printed in USA 09/08

Unison® products protected by one or more of the following: U.S. Patent No. 5,323,088, 6,849,943, and 5,352,958; European Patent No. 0603333; German Patent No. 69203609;