

SMARTY HYBRID



The **SMARTY HYBRID™** is a compact full featured CMY color mixing spot, beam, and wash hybrid luminaire featuring the all new Philips™ MSD Platinum 200 Flex lamp with “FLEX” technology which uses a smartly designed discharge lamp/ballast package to produce high output and compact performance at an efficient, long life solution of up to 6,000 hours. Features include 11,000 total lumen output, motorized zoom ranges of 1° to 18° in beam mode, 3° to 27° in spot mode, and 5° to 33° in wash mode, a full CMY color mixing system, a full frost filter for wash effects, 13 dichroic colors including a quad-color filter, CTB, CTO, and UV, 8 rotating—interchangeable glass and 12 static-stamped metal gobos, a 16-facet and 4-facet linear independent rotating prisms, multiple CMY color, gobo, and prism macros, motorized focus with an auto-focus feature, high speed shutter and strobe, lamp hibernation mode, DMX, RDM (Remote Device Management), Art-NET, and sACN protocol support, Elation’s E-FLY™ internal wireless DMX transceiver, 5pin XLR, RJ45 etherCON, and Seetronic Powerkon in/out connections, full color 180° reversible LCD menu display with battery backup, a multi-voltage universal auto switching power supply (100-240V), and a comprehensive 2-year / 6,000 hour ultimate warranty**.

FEATURES

3-in-1 Smart Hybrid Beam, Spot, Wash Luminaire

New Philips™ MSD Platinum 200 Flex Lamp

Up To 6,000 Lamp Hours*

FLEX Lamp Technology from 190 to 280W + Hibernation

Motorized Zoom: 1° - 18° Beam, 3° - 27° Spot, 5° - 33° Wash

Full Frost Filter for Wash Effects

Full CMY Color Mixing System

13 Colors including Quad Color, CTB, CTO, and UV

8 Rotating Interchangeable Glass Gobos

12 Static-Stamped Metal Gobos

16-Facet and 4-Facet Linear Rotating Prisms

Multiple CMY Color, Gobo, and Prism Macros

Motorized Focus with Auto-Focus Feature

DMX, RDM, Art-NET, and sACN Support

Elation’s E-FLY™ Internal Wireless DMX Transceiver

Ultimate Warranty - Comprehensive 2 Years / 6,000 Hours**

****First 2 Years of operation or 6,000 hours of use, whichever comes first, based on regular fixture/lamp maintenance.**



Specifications are subject to change without notice ©Elation Professional 03/12/19

Elation Professional USA | 6122 S. Eastern Ave. | Los Angeles, CA. 90040
323-582-3322 | 323-832-9142 fax | www.elationlighting.com | info@elationlighting.com

Elation Professional B.V. | Junostraat 2 | 6468 EW Kerkrade, The Netherlands
+31 45 546 85 66 | +31 45 546 85 96 fax | www.elationlighting.eu | info@elationlighting.eu

PRODUCT SPECIFICATIONS

SOURCE

Philips MSD Platinum 200 Flex 280W Lamp
Up To 6,000 Hours Lamp Life*

*May vary depending on several factors including but not limited to: Environmental Conditions, Power/Voltage, Usage Patterns (On-Off Cycling), Control, Dimming, and Lamp Mode.

PHOTOMETRIC DATA

11,000 Total Lumen Output
128,426 LUX 11,931 FC @49.2' (15m) (Min Zoom Beam)
135,108 LUX 12,552 FC @16.4' (5m) (Min Zoom Spot)
138,576 LUX 12,874 FC @16.4' (5m) (Min Zoom Wash)

EFFECTS

Beam, Spot, and Wash Modes
Motorized Zoom: 1° to 18° Beam and 3° to 27° Spot
Full Frost Filter for Wash Effects
16-Facet and 4-Facet Linear Rotating Prisms
CMY Color, Gobo, and Prism Macros
Motorized Focus with Auto-Focus Feature
High Speed Shutter and Strobe

COLOR

Full CMY Color Mixing System
13 Colors including Quad Color, CTB, CTO, and UV

GOBOS

2 Gobo Wheels
8 Interchangeable-Rotating / Indexing Glass Gobos
12 Static-Stamped Metal Gobos

CONTROL / CONNECTIONS

2 DMX Channel Modes (20 / 34 channels)
Full Color 180° Reversible LCD Menu Display
6 Button Menu Control Panel
16 Bit Resolution Adjustable Movement
DMX, RDM, Art-NET, and sACN Protocol Support
Elation E-FLY Internal Wireless DMX Transceiver
5pin DMX and RJ45 etherCON In/Out
Neutrik TRUE1 Power In/Out

SIZE / WEIGHT

Length: 15.2" (385mm)
Width: 15.9" (405mm)
Vertical Height: 24.0" (610mm)
Weight: 49.0 lbs. (22.2 kg)

ELECTRICAL / THERMAL

AC 100-240V - 50/60Hz
480W Max Power Consumption
14°F to 113°F (-10°C to 45°C)

APPROVALS / RATINGS



ORDERING INFORMATION

ESH241	SMARTY HYBRID
TRIGGER CLAMP	Heavy Duty Wrap Around Hook Style Clamp
DRCSMARTY	Dual Road Case For SMARTY HYBRID
EFL001	E-FLY™ Wireless DMX Transceiver
AC5PDMX5PRO	5 ft. (1.5m) 5pin PRO DMX Cable
NEU088	3 ft. (1m) Power Link Cable
CAT6PRO5	5 ft. (1.5m) CAT6 EtherCON Cable
ZB-MSD PLATINUM 200 FLEX	Philips MSD Platinum 200 Flex Lamp

COLORS AND GOBOS

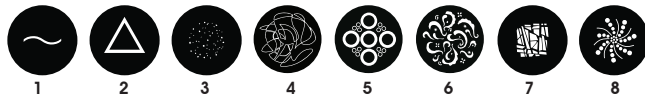
COLOR WHEEL



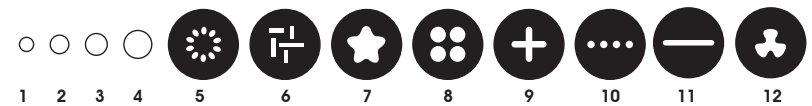
COLOR FLAGS



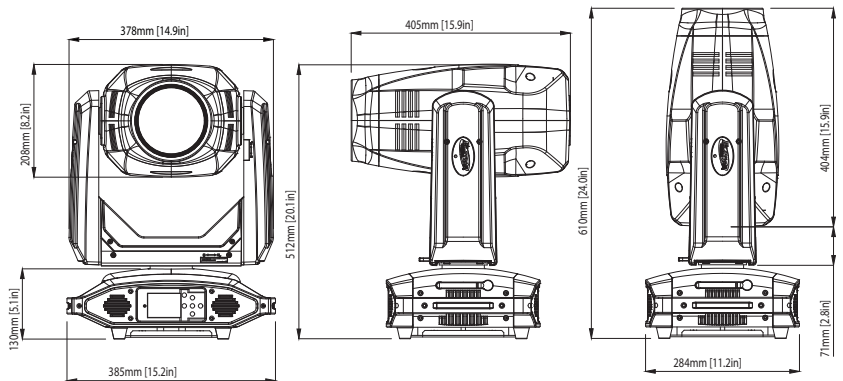
INTERCHANGEABLE-ROTATING GLASS GOBO WHEEL 1



STATIC-FIXED METAL GOBO WHEEL 2



DIMENSIONAL DIAGRAMS



Specifications are subject to change without notice ©Elation Professional 03/12/19

