



PLATINUM BEAM 5R EXTREME™

SKU# EPB888

The new Platinum Beam 5R EXTREME™ features the 189W Platinum 5R lamp, a 3° sharp pin spot beam, 8 facet rotating prism and frost effects, super fast 16 bit 3-phase pan/tilt motors, strobe (1-18 fps), dimming 0-100%, and focus, (12) colors including UV, CTO, CTB, and white, (8) metal rotating, indexing, interchangeable gobos, flicker free operation for TV and FILM, internal EWDMX wireless DMX receiver, remote device management protocol support, 3pin and 5pin DMX in/out and powerCON in connections, (6) button touch control panel, 350W max power consumption, and a multi-voltage universal auto switching power supply (120-240v).

FEATURES

- 189W Platinum 5R Lamp
- 3° Sharp Pin Spot Beam
- 8 Facet Rotating Prism and Frost Effects
- (12) Colors Including UV, CTO, CTB + White
- (8) Metal Rotating, Indexing, Interchangeable Gobos
- Super Fast 16 bit 3-Phase Pan/Tilt Motors
- Strobe (1-18 fps), Dimming (0-100%), and Focus
- Flicker Free Operation for TV and FILM
- Internal EWDMX Wireless DMX Receiver
- Remote Device Management Protocol Support



Specifications are subject to change without notice ©Elation Professional

Elation Professional USA | 6122 S. Eastern Ave. | Los Angeles, CA. 90040
323-582-3322 | 323-832-9142 fax | www.elationlighting.com | info@elationlighting.com

Elation Professional B.V. | Junostraat 2 | 6468 EW Kerkrade, Netherlands
+31 45 546 85 66 | +31 45 546 85 96 fax | www.elationlighting.eu | info@elationlighting.eu

PRODUCT SPECIFICATIONS

FEATURES

- 3° Sharp Pin Spot Beam
- CTO and CTB Color Correction
- 8 Facet Rotating Prism and Frost Effects
- Super Fast 16 bit 3-Phase Pan and Tilt Motors
- Flicker Free Operation for TV and FILM
- Internal EWDMX Wireless DMX Receiver
- Remote Device Management Protocol Support

SOURCE

- 189W Platinum 5R Lamp
- 2,000 Hour Average Life

PHOTOMETRIC DATA

100,100 LUX 9,299 FC @49.2' (15M)

EFFECTS

- Frost
- Motorized Focus
- Strobe (1-18 fps)
- Electronic Dimming: 0% - 100%
- 8 Facet Rotating Prisms and Macros

COLOR

(12) Colors Including UV, CTO, CTB + White

GOBOS

(8) Metal Rotating, Indexing, Interchangeable Gobos

CONTROL / CONNECTIONS

- (3) DMX Channel Modes (12/14/18)
- Remote Device Management
- Pan Movement: 540°/630° / Tilt Movement: 270°
- 6 Button Control Panel
- Full Color 180° Reversible LCD Menu Display
- 16 Bit 3-Phase Pan/Tilt Motors
- 3pin & 5pin DMX In/Out
- powerCON In
- Internal EWDMX Wireless DMX Receiver

SIZE / WEIGHT

- Length: 13.9" (352mm)
- Width: 13.0" (329mm)
- Vertical Height: 20.0" (509mm)
- Weight: 44.0 lbs. (20.0 kg)

ELECTRICAL / THERMAL

- AC 100-240V - 50/60Hz
- 350W Max Power Consumption
- 14°F to 113°F (-10°C to 45°C)

APPROVALS / RATINGS

- CE Approved
- cETLus Approved
- IP20 Rated

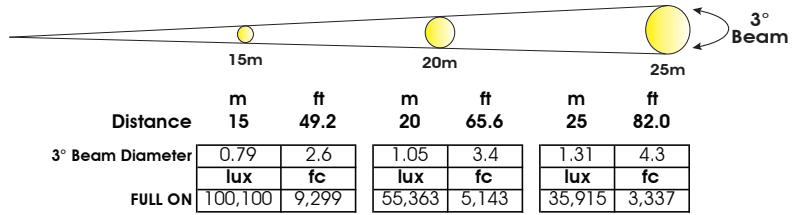
INSTALLATION

- Rigging: Omega Bracket
- Working Position: Flat Surface / Inverted (180°)

INCLUDED ITEMS

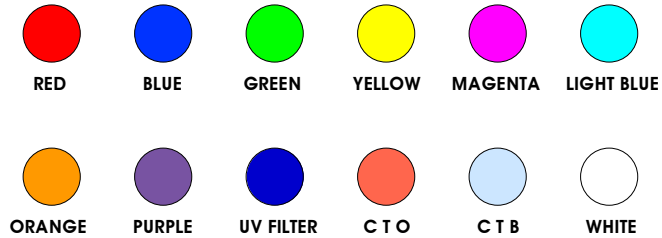
- (2) Omega Brackets
- (1) 3pin XLR Cable
- (1) powerCON Cable
- (1) Safety Cable

PHOTOMETRIC DATA



COLORS AND GOBOS

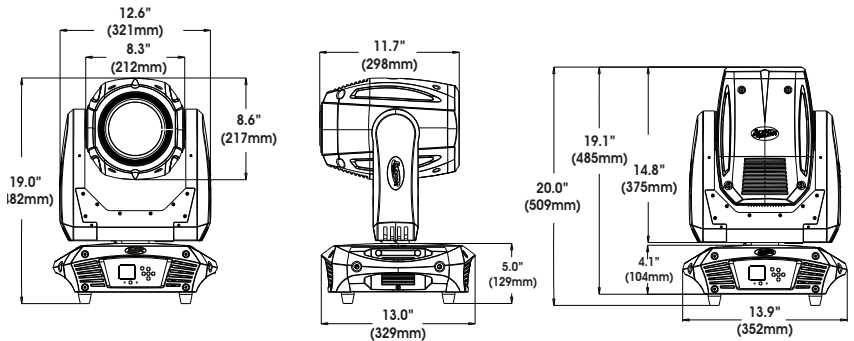
COLORS



ROTATING GOBOS



DIMENSIONAL DIAGRAMS



OPTIONAL ACCESSORIES

ORDER CODE	ITEM
TRIGGER CLAMP	Heavy Duty Wrap Around Hook Style Clamp
DRCPLAT	Dual Flight Case For Platinum Beam 5R EXTREME™
DRCPLATQUAD	Quad Flight Case For Platinum Beam 5R EXTREME™
ELO211	Eloader II™ Software Updater Box
EWDMXSYSTEM	Wireless DMX System (1 Transmitter, 1 Receiver)
EWDMXT	Wireless DMX Transmitter
EWDMXR	Wireless DMX Receiver
AC3PDMX5PRO	5 ft. (1.5m) 3pin PRO DMX Cable
AC3PDMX10PRO	10 ft. (3m) 3pin PRO DMX Cable
AC5PDMX5PRO	5 ft. (1.5m) 5pin PRO DMX Cable
AC5PDMX10PRO	10 ft. (3m) 5pin PRO DMX Cable
Additional cable lengths available: 15, 25, 50, 100 ft (4.5, 7.5, 15.2, 30.5m)	



Specifications are subject to change without notice ©Elation Professional

Elation Professional USA | 6122 S. Eastern Ave. | Los Angeles, CA, 90040
323-582-3322 | 323-832-9142 fax | www.elationlighting.com | info@elationlighting.com

Elation Professional B.V. | Junostraat 2 | 6468 EW Kerkrade, Netherlands
+31 45 546 85 66 | +31 45 546 85 96 fax | www.elationlighting.eu | info@elationlighting.eu