



IQ38 pictured

Fixture Type:

Altman IQseries™ PAR38 lighting units are small, very efficient means of illuminating and highlighting areas and objects with soft edged-pools of light.

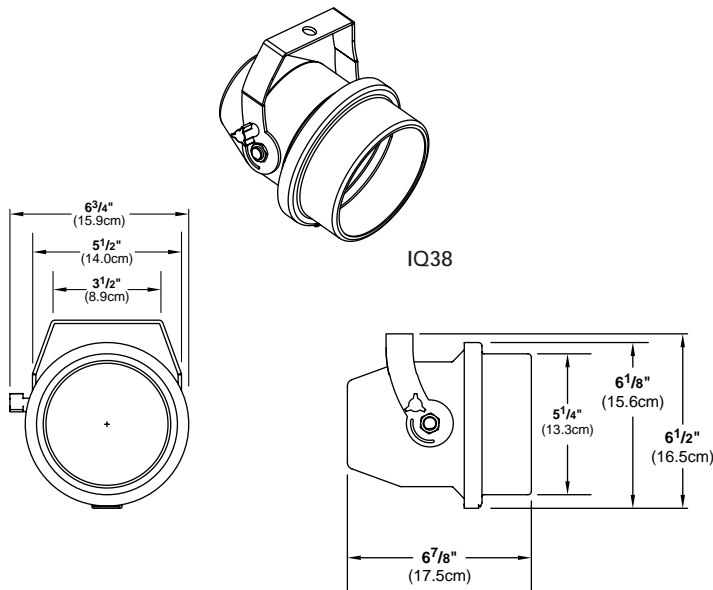
This attractive luminaire utilizes any number of 39- or 70-watt ceramic-discharge metal halide PAR38 lamps as well as incandescent PAR38 lamps. The low-heat, ruggedly handsome IQ38 will accentuate the décor and function of any architectural venue.

Specifications subject to change without notice.

250 WATT*
ARCHITECTURAL IQ38
Spot/Floodlight Series

Features

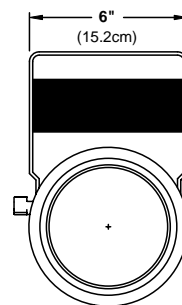
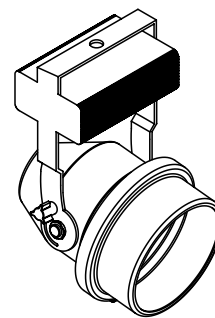
- Compact Rugged spun extruded aluminum and ultra Hi-Temp and ultra lightweight plastic construction
- Medium screw base socket
- Dual swivel positioning system with degree markings
- Internal accessory holder accepts wide variety of options
- U.L. and c.U.L. listed.
- * For 90W portable & 250W track or surface mount only.
- Made in the USA



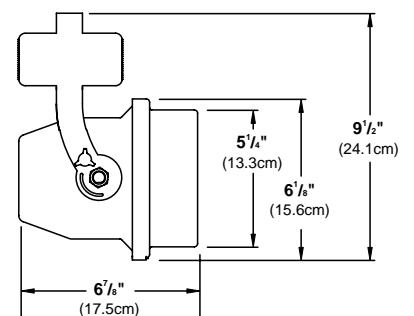
39 or 70 WATT
ARCHITECTURAL IQ38C CDM
Spot/Floodlight Series

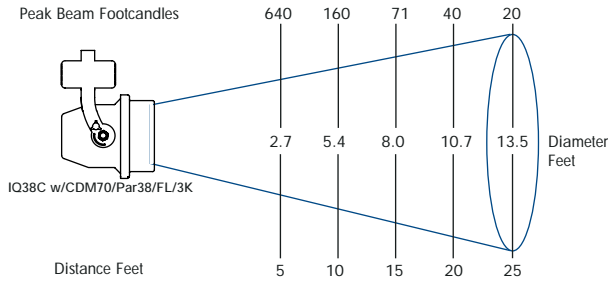
Features

- Utilizes 10,000 hour CDM Par38 or Par30 lamp
- Compact rugged extruded aluminum and ultra Hi-Temp and ultra lightweight plastic construction
- Low noise, high efficient, Aromat electronic ballast
- Dual swivel positioning system with degree markings
- Track adapter versions available
- Internal accessory adapter
- U.L. and c.U.L. listed
- Made in the USA



IQ38C

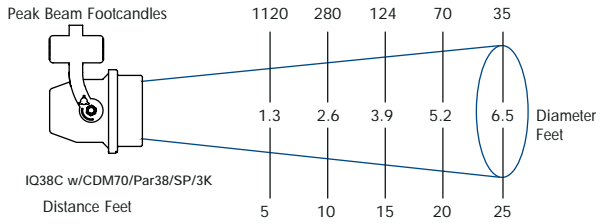




IQ38C Ceramic Metal Halide Version

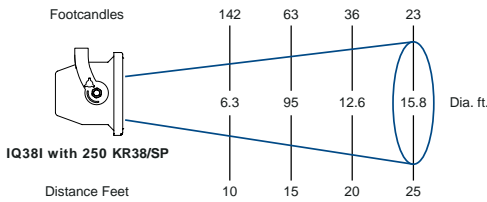
Part Number	Model	Voltage	Wattage	Color
IQ38C-		110	39	Black (W)hite
		240	70	(S)ilver
		277	100	(X)custom

Conversion Factors for CDM
39 Watt Lamp = f.c. x .30
Lux: = f.c. x .0929



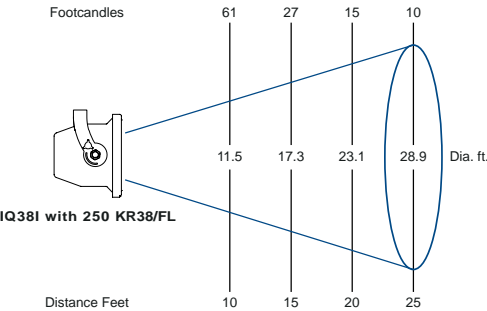
IQ38 Incandescent Version

Part Number	Model	Color
IQ38-		Black
		(W)hite
		(S)ilver
		(X)custom



ACCESSORIES Supplied with Luminaire	
--	Accessory Retainer

ADDITIONAL ACCESSORIES	
38-CH	Cylindrical Hood
38-SCH	Sparkle Cylindrical Hood
38-BD4	4 Leaf Barn Door
38-CP	Color Filter Holder
38-LV	Louver Honeycomb
38-DF	Dichroic Color Filter (specify color)
TLA-E166*	Nordic Eco 1 Circuit
TLA-TEK68*	Nordic Spec Grade 2 Circuit
TLA-XTSA66*	Nordic Spec Grade 3 Circuit
54-SVT183-24CC	Coiled Cord with Edison Connector Factory Installed
510-M	Baby Pipe Clamp
510	Malleable Iron Pipe Clamp
--	Canopy, Unistrut, and Stem Mounting options available



LAMP DATA FOR IQ38C (Ceramic Metal Halide)

Lamp Type	Watts	Efficiency	Color Temp (°K)	Rated Life (Hours)	Rated Lumens	Color Rendering Index	Burn Position
CDM 35/PAR30L/M/SP	39	>69 LPW	3000		2,000	81	Any
CDM 35/PAR30L/M/FL	39	>69 LPW	3000	9,000	2,200	81	Any
CDM 70/PAR30L/M/SP	70	>68 LPW	3000	9,000	4,850	82	Any
CDM 70/PAR30L/M/FL	70	>68 LPW	3000	9,000	4,850	82	Any
CDM 70CPAR30L/M/FL	70	>69 LPW	3000	9,000	4,850	82	Any
CDM 70CPAR38/SP/3K	70	>68 LPW	3000	10,000	4,800	82	Any
CDM 70CPAR38/FL/3K	70	>68 LPW	3000	10,000	4,800	82	Any
CDM 70CPAR38/WFL/3K	70	>68 LPW	3000	10,000	4,800	92	Any
CDM 70CPAR38/SP/4K	70	>60 LPW	4000	10,000	4,200	92	Any
CDM 70CPAR38/FL/4K	70	>60 LPW	4000	10,000	4,200	92	Any
CDM 70CPAR38/WFL/4K	70	>60 LPW	4000	10,000	4,200	92	Any

LAMP DATA FOR IQ38I (Incandescent)

Manufacturer Lamp Code	Watts	Candlepower (Candela)	Color Temp (°K)	Rated Life (Hours)	Field Angle (Degrees°)
120PAR/CAP/FL30°	120	4,600	2950	3,000	30°
120PAR/CAP/SP9°	120	22,500	2950	3,000	9°
250KR38/FL	250	6,100	2850	4,000	60°
250KR38/SP	250	14,200	2850	4,000	35°
Q250PAR38/FL	250	6,500	2900	6,000	60°
Q250PAR38/SP	250	28,000	2900	6,000	24°

Specifications

Housing: Compact rugged sheet metal.

Materials: Corrosion-resistant materials and hardware.

Yoke: 1" x 3/8" 13 gauge steel yoke.

Socket: 5kv pulse rated medium screw.

IQ38C Only:

Rating: 120V operation, 50/60Hz, 0.38 amps with 39W lamp and 39W ballast; .58 amps with 70W lamp and 70W ballast; 240 VAC and 277 VAC operation available.

Ballast: Aromat Corp. 39W and 70W NAIS DCP Electronic Ballasts. Units carry a full 5 year warranty tested and approved by Aromat.

IQ38 Only:

Rating: 120/240 volts AC/DC operation 2.5/1.3 amps, 250 watts maximum.

Cable: 4 feet of insulated 3 conductor cable with u-ground male Edison plug.

Finish: Black epoxy Sandtex, electrostatic application. White and silver also available.

Weight: Approx; 5 lbs. (2.3 kg.) for IQ38.
Approx; 7 lbs. (3.2 kg.) for IQ38C.

