



Fixture Type:

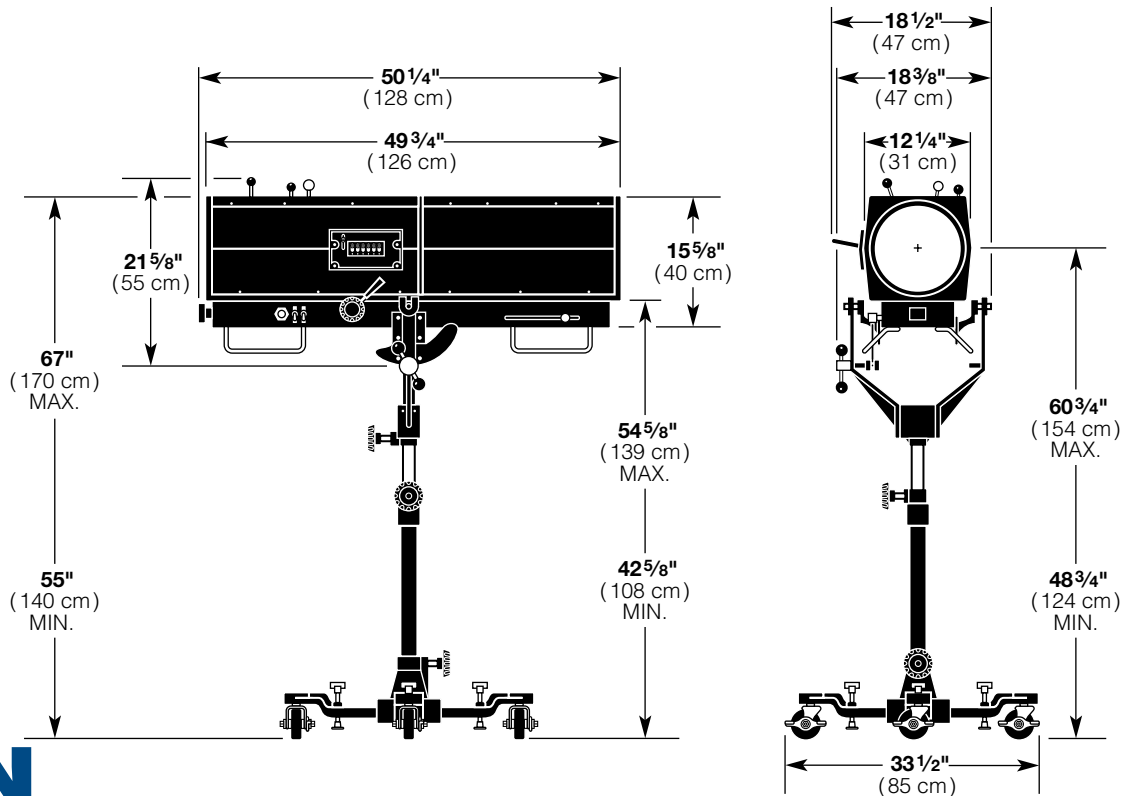
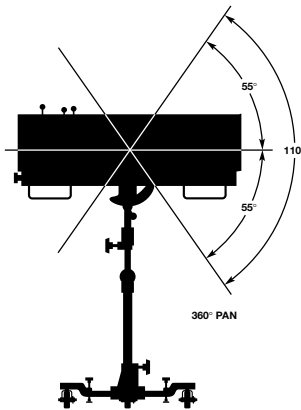
A ruggedly constructed long throw follow spot, the VOYAGER produces a very narrow, hard or soft edged beam which varies from a 0.5° to 9.5°. At a distance of 150 feet adjusted to 1° in spot, the beam is 2.6' in diameter, and adjusted to 8° in flood, the beam is 21' in diameter. The Voyager is designed for use with the 400 watt HTI lamp. The ball bearing slide assembly assures easy operation of the zoom focus feature for spot to flood adjustment. A separate fine focus control assures a clean, halation free beam edge. The luminaire is used in any application where manual control of a lighting beam is necessary to follow a performer and to vary beam size, quality and color as required.

Specifications subject to change without notice

400 WATT HTI Metal Halide  
**VOYAGER**  
Long Throw Follow Spot  
Features

- Rugged die cast aluminum and sheet aluminum construction
- Integral iris, framing shutters, and dimmer
- Six color self-canceling boomerang with douser
- Dual adjustable lenses provided 0.5°–9.5° zoom range
- Positive locking pan and tilt adjustment
- Easy relamping
- Adjustable locking castored trouping stand with leveling jacks, easily assembled
- High output/low power consumption
- Electronic, flicker-free ballast is contained within lamphouse
- Detachable, 25' power cable
- Made in the USA

PAN AND TILT ANGLES:



# 400 WATT HTI Metal Halide Specifications

# VOYAGER Long Throw Follow Spot

Catalog Number  
VOYAGER

**Housing:** Sheet aluminum, and die-cast aluminum construction.

**Materials:** Construction employs all corrosion-resistant materials and hardware.

**Rating:** Input – 120 VAC, 6.0 amps. max. (220-240 VAC, 50/60 Hz units available.)

**Power Cable:** Detachable 25' 14/3 SOW provided with male edison connector.

**Ignitor:** Asymmetrical ignitor, 28 kV ignition pulse.

**Ballast:** Electronic flicker-free, contained within lamphouse.

**Power Switch:** 120 VAC, 6 amp illuminated alternate-action push-button switch.

**Lamp Switch:** 120 VAC, 6 amp illuminated alternate-action push-button switch.

**Circuit Protection:** 10 amp, magnetothermal, push-button resettable circuit breaker.

**Cooling:** Forced air cooling via two fans and one blower, all exposed fans provided with finger guards.

**Yoke:** Die-cast aluminum with heavy duty locking dog tilt handle. Yoke cradle provided with yoke latches and latch pins.

**Lenses:** All lenses are high purity crown glass (white plate).

Front lens: 11 x 36 plano convex.

Rear lens: 4.5 x 5.1 plano convex.

**Lamp/Reflector:** Dichroic glass, elliptical design. Reflector is integral with lamp. 400W, HTI Metal Halide.

**Shutters:** 2 leaf, 18 gauge stainless steel. Top operated, provided with heat resistant knob.

**Iris:** 18 leaf, high grade stainless steel. Top operated, provided with heat resistant knob.

**Color Changer:** 6 frame, self canceling color boom allows for single or multiple colors to be inserted into beam path. Color changer removable without the use of tools.

**Douser:** Allows for instantaneous blackout and incorporated into color boom.

**Dimmer:** Mechanical, heat resistant brass, three leaf type. Top operated, provided with heat resistant knobs.

**Access Door, Rear:** Hinged, allows access to lamp and for adjustment or replacement.

**Access Door, Side:** Hinged, allows access to lamp and carriage rods for cleaning and lubrication.

**Safety Switch:** Automatic safety switch disconnects power if access door is opened.

**Hour Meter:** 7 digit readout, non-resettable, 1/100 hour increments.

**Focusing, Lamp:** Fully adjustable with three alignment screws. Fine focusing accomplished via rear mounted adjustment knob.

**Focusing, Fixture:** Dual zoom lens carriers travel along zinc plated steel carriage rods, front lens carrier provided with adjustable drag and lock knob. Rear lens carriers provided with adjustable drag and control lever. Four side mounted hand rails provided for aiming fixture.

**Stand:** Four legged stand is height adjustable (12" maximum), each leg provided with locking casters and leveling jack. Height adjustment lock allows for 360° continuous pan.

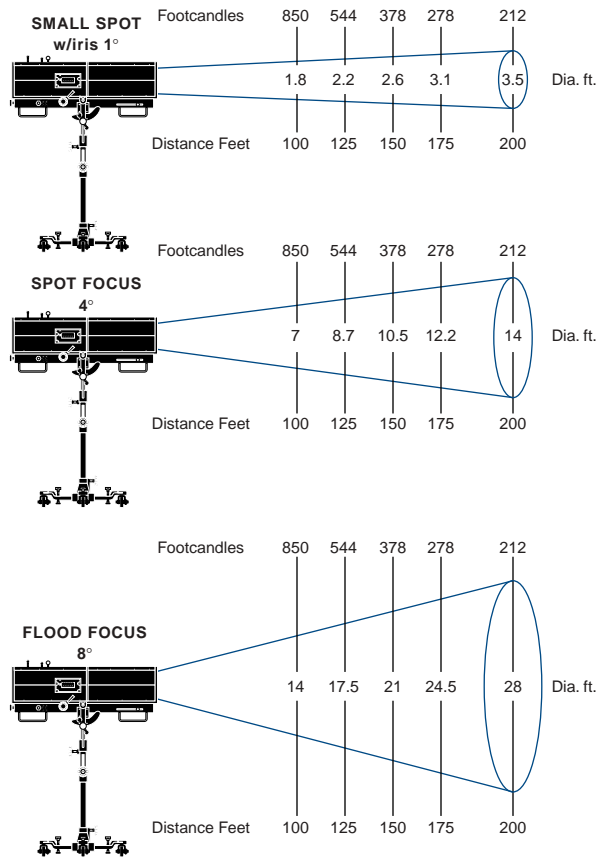
**Finish:** Black epoxy sandtex, electrostatic application.

**Weight:** Approx; 85 lbs. (38.3 kg.) for lamphouse.

Approx; 60 lbs. (27 kg.) for stand (support column, base and yoke).

Total Net Weight - Approx; 145 lbs. (65.3 kg.)

## 400 Watt HTI Metal Halide Follow Spot



Photometric Data for HTI 400W Lamp

## VOYAGER PERFORMANCE CHART WITH HTI 400W LAMP

Fixture Type	Focus	Candlepower (Candela)	Field Angle (Degrees°)
VOYAGER	Small Spot w/Iris	8,500,000	0.5°
	Spot	8,500,000	4.0°
	Flood	2,500,000	9.5°

## LAMP DATA

Watts	Volts (Nominal)	Volts (Striking)	Color Temp (°K)	Luminous Flux	Rated Life (Hours)	Burn Position
400	55	28kV	5,600	30,000	250	Any

ACCESSORIES Supplied with Luminaire	
90-400HTI/24	400W HTI Lamp

ADDITIONAL ACCESSORIES	
RC-VOYLT/H	VOYAGER Head Road Case
RC-STAND	Follow Spot Stand Road Case

Casters can be factory installed on any road case. The ordering code for this feature is to add "-C" after the road case catalog number.