



Scan for full manual

VS-21DTP Quick Start Guide

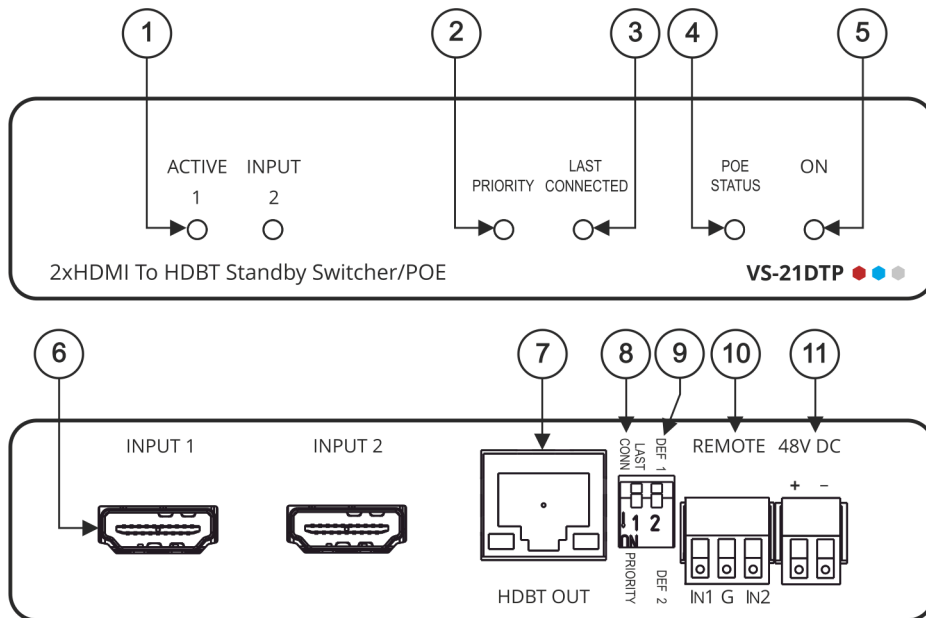
This guide helps you install and use your VS-21DTP for the first time.

Go to www.kramerav.com/downloads/VS-21DTP to download the latest user manual and check if firmware upgrades are available.

Step 1: Check what's in the box

- ✓ VS-21DTP 2xHDMI to HDBT Standby Switcher/PoE
- ✓ 4 Rubber feet
- ✓ 1 Bracket set
- ✓ 1 Power adapter and cord
- ✓ 1 Quick start guide

Step 2: Get to know your VS-21DTP



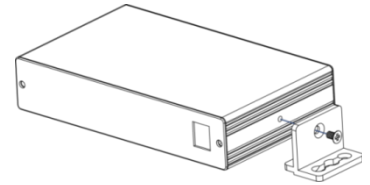
#	Feature	Function
1	ACTIVE INPUT LEDs (1 to 2)	Lights green when the input is active. Both LEDs flash when no input is active.
2	PRIORITY LED	Lights green when DIP-switch 1 is set to PRIORITY (down).
3	LAST CONNECTED LED	Lights green when DIP-switch 1 is set to LAST CONNECTED (up).
4	POE STATUS LED	Lights green when the unit provides PoE.
5	ON LED	Lights green when the unit is powered on via power adapter or PoE.
6	INPUT HDMI Connectors (1 to 2)	Connect to an HDMI source.
7	HDBT OUT RJ-45 Connector	Connect to an HDBaseT receiver (for example, TP-580R) and provide or accept power (bidirectional PoE).
8	LAST CONN/PRIORITY DIP-switch 1	Set DIP-switch 1 up (off) to select the Last Connected input. Set DIP-switch 1 down (on) to select the Priority input determined by DIP-switch 2.
9	DEF 1/DEF 2 DIP-switch 2	Set DIP-switch 2 up (off) to define INPUT 1 as the default (priority) input. Set DIP-switch 2 down (on) to define INPUT 2 as the default (priority) input.
10	REMOTE 3-pin Terminal Block Connector	Connects to optional contact closure switches 1 or 2 for manual switching (by momentary contact between the desired pin and the G pin).
11	48V DC Power Terminal Block Connector	Connect to the Kramer power adapter.



Step 3: Install VS-21DTP

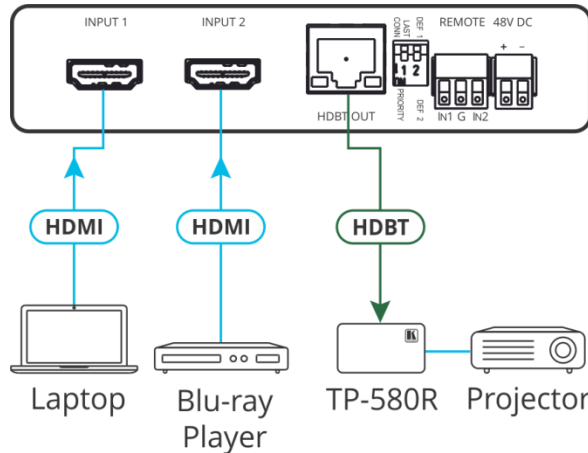
Install **VS-21DTP** using one of the following methods:

- Attach the rubber feet and place the unit on a flat surface.
- Fasten a bracket (included) on each side of the unit and attach it to a flat surface. For more information go to www.kramerav.com/downloads/VS-21DTP.
- Mount the unit in a rack using an optional **RK-3T** rack adapter.



Step 4: Connect the inputs and outputs

Always switch OFF the power on each device before connecting it to your **VS-21DTP**. For best results, we recommend that you always use Kramer high-performance cables to connect AV equipment to **VS-21DTP**.



DIP-switches Setup:

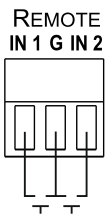
A switch that is down is on; a switch that is up is off. By default, both switches are up (off).

Video Switching Selection:

DIP-switch 1	DIP-switch 2	Video Input Selection
PRIORITY (down)	DEF 1 (up)	INPUT 1 is the default priority setup and is automatically switched to the output.
	DEF 2 (down)	INPUT 2 is the default priority setup and is automatically switched to the output.
LAST CONNECTED (up)	N/A	The last connected source is switched to the output (a reactivated or reconnected source becomes the new "Last Connected" source).

Contact Closure Switches (Manual Override):

Controlling via the remote contact closure pushbuttons overrides all DIP-switch settings and automatic switching until the manually selected source disconnects, becomes inactive or the **VS-21DTP** is powered off.



Select INPUT 1	Momentarily connect REMOTE IN 1 to PIN G (ground).
Select INPUT 2	Momentarily connect REMOTE IN 2 to PIN G (ground).

Step 5: Connect the power

Connect the 48V DC power supply to **VS-21DTP** and plug it into the mains electricity or accept power over Ethernet (PoE) from an HDBaseT receiver via PoE.

Safety Instructions



- Caution:** There are no operator serviceable parts inside the unit.
Warning: Use only the power cord that is supplied with the unit.
Warning: Do not open the unit. High voltages can cause electrical shock! Servicing by qualified personnel only.
Warning: Disconnect the power and unplug the unit from the wall before installing.
 See www.KramerAV.com for updated safety information.