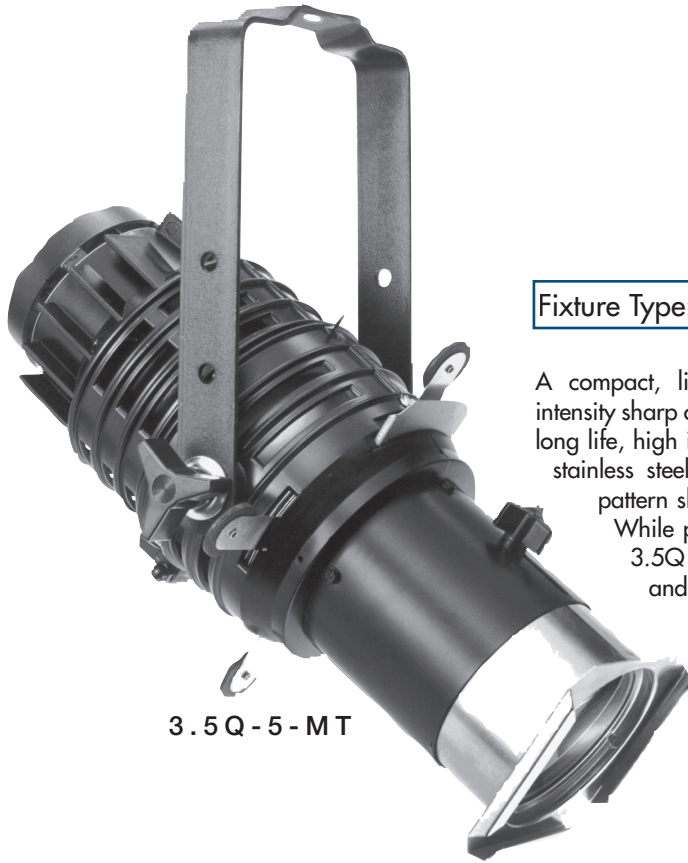


Catalog Numbers

- 3.5Q- 5-MT
- 3.5Q- 6-MT
- 3.5Q- 8-MT
- 3.5Q-10-MT
- 3.5Q-12-MT

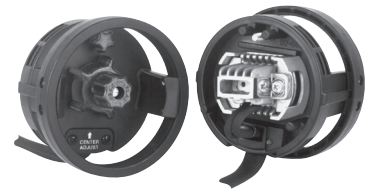


Fixture Type:

A compact, lightweight ellipsoidal spotlight which produces a high intensity sharp or soft edged beam. The 3.5Q series is designed for today's long life, high intensity tungsten halogen lamps. Four adjustable integral stainless steel framing shutters provide beam shaping ability and the pattern slot and holder provide the ability to project visual images. While primarily designed for theatre and studio applications, the 3.5Q Series is also useful in displays, show windows, museums and nightclubs where precision controlled accenting is desirable.

Specifications subject to change without notice

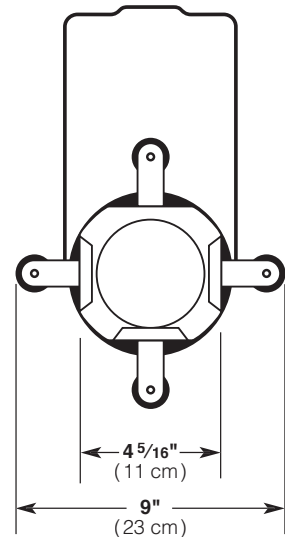
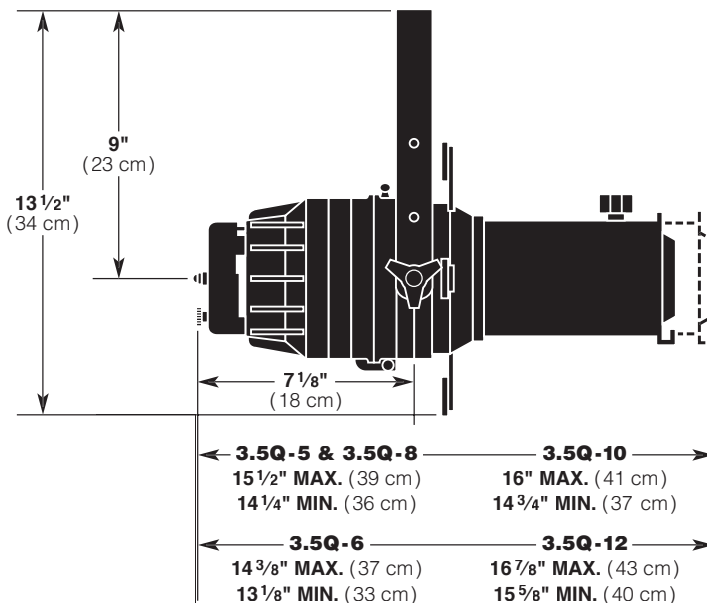
3.5Q-5-MT



Speed Cap

500 WATT
3.5" ELLIPSOIDAL
Features

- Heat resisting plano convex lenses
- Aluminum die cast and sheet metal construction
- Axially mounted medium two-pin socket
- Double flatted specular Alzak aluminum reflector
- Tool free interchangeable lens barrels
- Three 36" Teflon lead wires
- Up to 25' of Hi-Temp rubber cable optional
- Color frame and safety cable with spring clip included
- U.L. and c.U.L. listed for 500 watts
- Made in the USA



500 WATT 3.5Q ELLIPSOIDAL

Catalog Numbers

- 3.5Q - 5 - MT
- 3.5Q - 6 - MT
- 3.5Q - 8 - MT
- 3.5Q - 10 - MT
- 3.5Q - 12 - MT

Specifications

Housing: Die-cast aluminum and sheet steel construction.

Materials: Construction employs all corrosion-resistant materials and hardware.

Yoke: Rigid flat steel with dual handles.

Reflector: Alzak aluminum, ellipsoidal design.

Lenses: Pyrex glass.

Socket: Altman BPS-1200 medium two-pin, axially mounted with blinder/heat shield, tool free relamping.

Rating: 120/240 volts AC/DC operation, 4.2/2.1 amps, 500 watts maximum.

Cable: 36" Teflon leads encased in black fiberglass sleeving. Hi-Temp rubber cable optional, up to 25'.

Shutters: Four provided, stainless steel, fully adjustable. Handles provided with heat resistant knobs.

Access Door: Hinged, removable without tools, allowing access to lens and reflector.

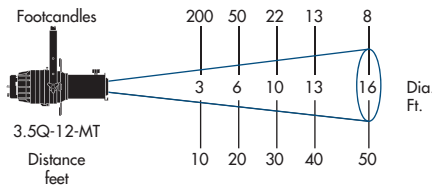
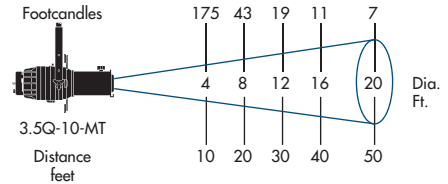
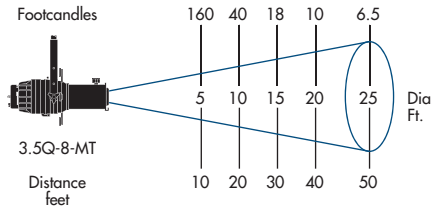
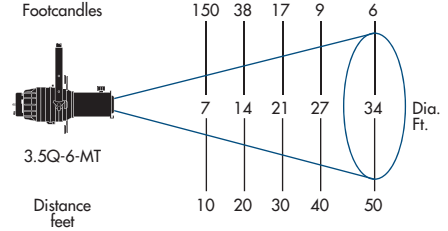
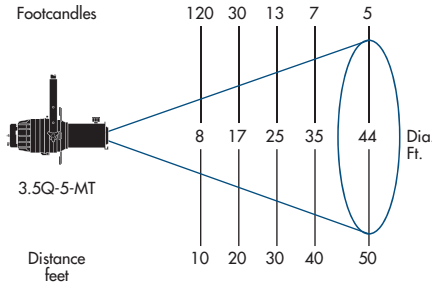
Focusing Lamp: Fully adjustable.

Focusing Fixture: Lens movement adjustable with locking heat resistant knob.

Accessories: Accepts drop-in pattern holder and standard 4 1/8" accessories.

Finish: Black epoxy sandtex electrostatic application.

Weight: Approx; 9 lbs. (4.8kg.)



ACCESSORIES Supplied with Luminaire	
3.5Q-CF SC-36-BK	Color Frame, 4 1/8" x 4 1/8" Safety cable with spring clip

ADDITIONAL ACCESSORIES	
510 3.5-PH	Malleable Iron Pipe Clamp Pattern Holder, 2" diameter opening, 2 5/16" wide
3.5Q-SN 3.5-DN	Snoot Donut, 4 1/8" x 4 1/8" with 1 1/4" diameter opening
71-1015	Replacement easy focusing speed cap

LAMP DATA

Fixture Series	Watts	ANSI Code	Manufacture lamp Code	Color Temp(°K)	Rated Life (Hours)	Rated Lumens	Correction Factor
3.5Q	375	—	HX400	3,200	300	10,000	0.69
	375	—	HX401	3,050	1500	8,500	0.59
	500	EHD	Q500CL/TP	3,000	2000	10,000	X1.00
	500	EHC/EHB	Q500/5CL	3,200	300	13,000	X1.25

3.5Q SERIES PERFORMANCE CHART WITH EHD LAMP

Fixture Type	Candlepower (Candela)	Beam Angle (Degrees)	Field Angle (Degrees)	Efficiency (%)
3.5Q- 5 - MT	12,000	30°	48°	29.0
3.5Q- 6 - MT	15,000	21°	38°	24.0
3.5Q- 8 - MT	16,000	21°	28°	18.5
3.5Q-10 - MT	17,300	21°	23°	17.0
3.5Q-12 - MT	20,000	17°	18°	12.0