



PM-1 Pan Motor User Manual



English



User Manual - English

Safety Information



Please read the following safety information carefully before operating the fixture. Information includes important safety information about installation, usage, and maintenance. Pay attention to all warning labels and instructions in this manual and printed on the fixture.

If you have questions about how to operate the fixture safely, please contact your local Antari dealer for help.

- Keep this device dry. For indoor use only.
- Always connect to a grounded circuit to avoid risk of electrocution.
- Install only in well ventilated area.
- Do not connect device to dimmer pack.
- Make sure power cord is never crimped or damaged.
- Do not attempt to remove or break off the ground prong. The ground prong is provided for your safety.
- Before connecting fixture to power, always check voltage indicate on fixture match to your local AC voltage. Do not use the fixture if AC power voltage does not match.
- Disconnect the fixture from AC power before servicing and when not in use.
- No user serviceable and modifiable parts inside. Never try to repair this product, unauthorized repair may lead to fixture damage and or malfunction.
- Protect power cord from being walked on or pinched particularly at plugs.
- Make sure there are no flammable materials close to the fixture while operating.
- If the fixture fails to work, unplug the fixture and stop operation immediately. Contact your local Antari dealer for advise.

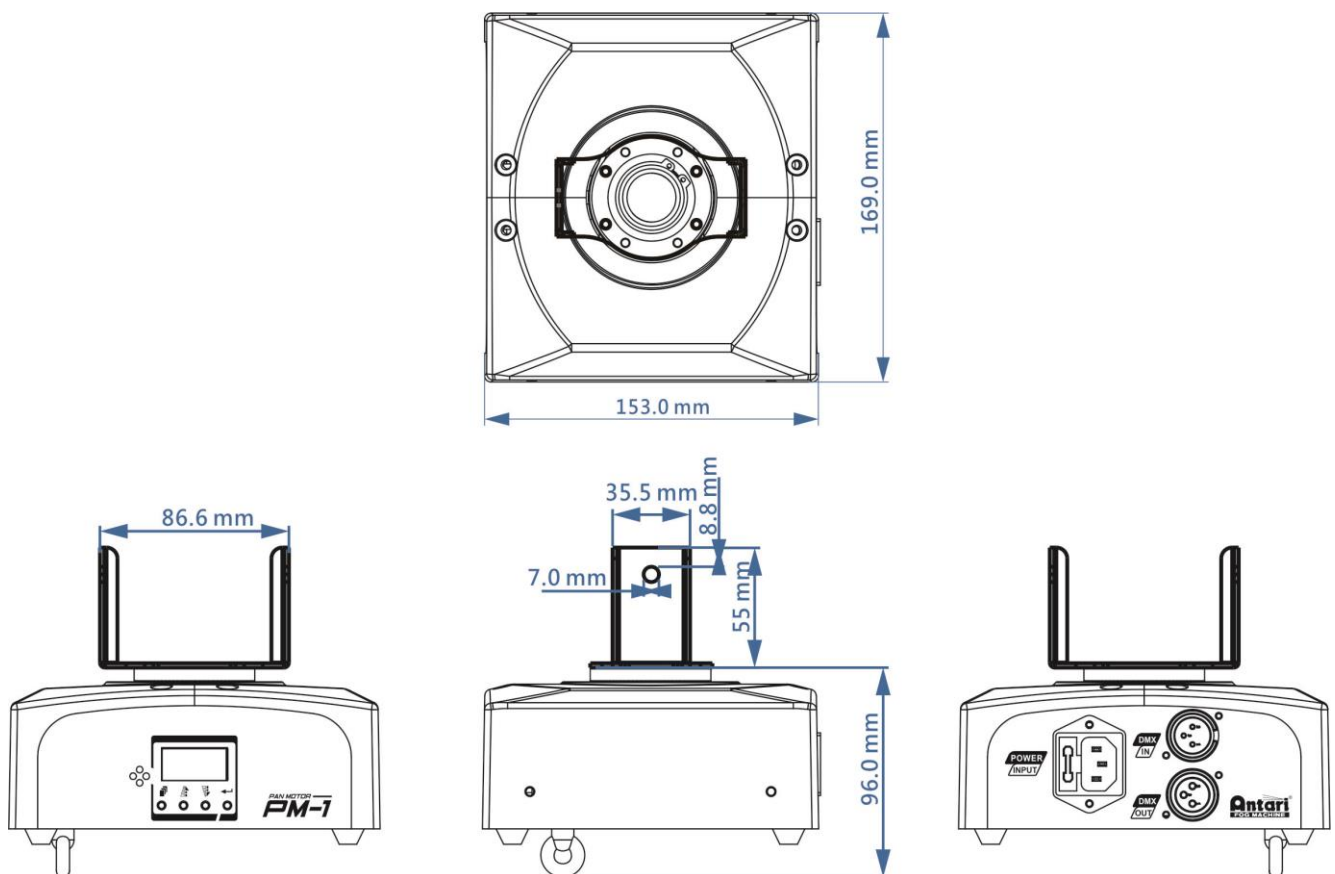
Unpacking and Inspection

Immediately upon receiving the fixture, carefully unpack the carton, check all content to ensure that all parts are present and have been received in good condition. If any parts appear damaged or mishandled from shipping, notify the shipper immediately and retrain the packing material for inspection.

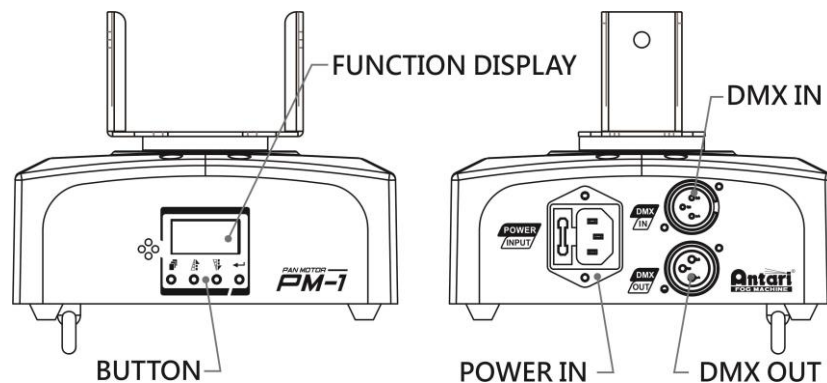
What is included:

- 1 x PM-1 Pan Motor
- 1 x Power Cord
- 1 x Omega Clamp
- 1 x User Manual

Product Dimension



Product Overview



Setting Up

AC Power Connection

This fixture includes an auto sensing power supply ranging from AC100-240V, 50-60Hz. Only connect fixture to AC power within this range.

Data Linking

Serial data link is required when operating the fixture through DMX controller. When planning the data link please consider following:

- Maximum recommended length of data link is 500 meters.
- Maximum recommended number of data linked fixtures is 32 units.
- Fixture must be daisy chained by linking data output to next data input.
- Data output must be terminated on last fixture of each chain using a termination plug.
- Avoid long parallel run of AC power and data cables as it may cause interference on the data link.

Physical Installation

Important

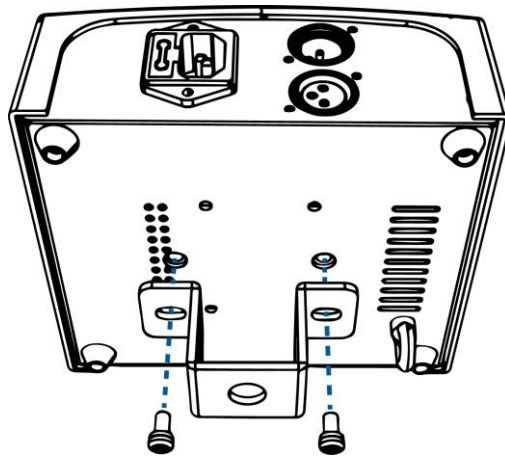
- Use supplied mounting bracket or rigging clamp to install fixture.
- Make sure installation location, fastening connecting, and rigging hardware can hold at

least 10 times the weight of the fixture.

- Make sure no combustible or flammable material nearby.
- Secure each fixture with an approved safety cable that can hold at least 10 times the weight of fixture.
- Make sure fixture installed in a well ventilated area.
- Consider lamp replacement and routine maintenance access when selecting installation location.

Mounting

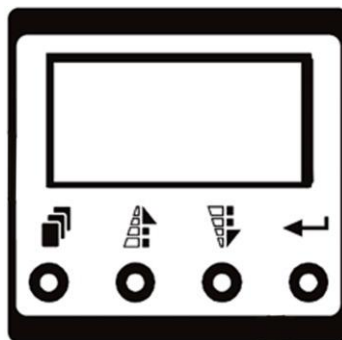
Use omega clamps for truss mounting



Operation

Control Panel Operation

The fixture can be operated with onboard digital control interface



Button	Function
[MENU]	Scroll through setting menu
▲ [UP]	Up
▼ [DOWN]	Down
[ENTER]	Setup/Confirm

Control Menu

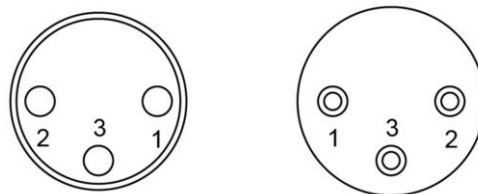
Addr	Set DMX address from 1 to 512
ChNd	Set DMX channel mode 01 or 02
ShNd	Select auto chase pan movement 60/90/120 degrees
SPNd	Select auto chase speed from 1 to 5
SLNd	Set fixture as Master/Slave 1/Slave 2
LoSt	When DMX signal is lost, use this function to set fixture to Master/Slave, Black out or run last signal
PAn	Turn on or off pan inversion
LEd	Turn on or off display auto shut off
dISP	Turn on or off display inversion
test	Activate self-testing mode
hrS	Show fixture running hour
ver	Show software version



Reset fixture to factory default setting

DMX Connector Pin Assignment

The fixture provides 3 pin XLR connector for DMX connection. Diagram below indicate pin assignment information

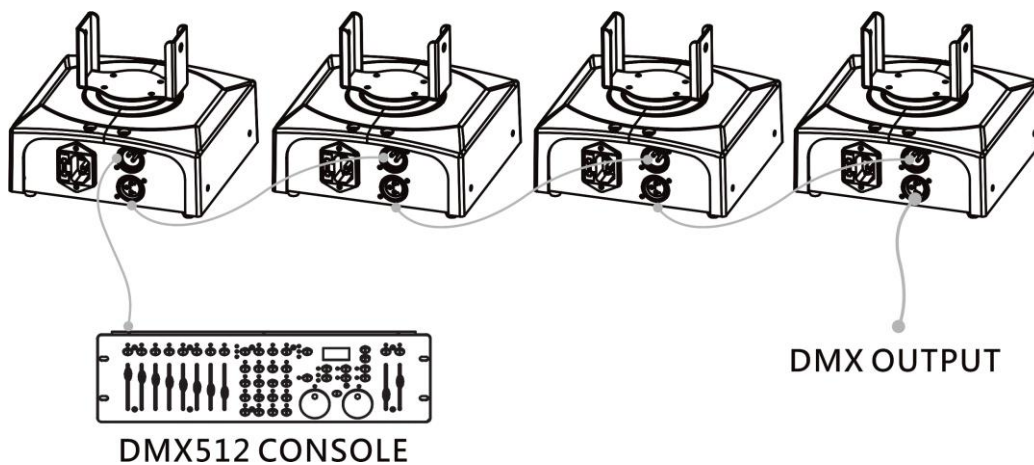


3 Pin XLR

Pin	Function
1	Ground
2	Data-
3	Data+

DMX Operation

Making DMX connection – Connect machine to a DMX controller or to one of the machines in the DMX chain. The machine uses 3-pin XLR connector for DMX connection. The connector is located at the back of the fixture.



Address Setup – Use control menu to set DMX address. The fixture occupied 1 or 2 control

channels. The starting address is defined as the first channel from which the fixture will respond to the controller. Always double check to make sure there are no overlapping channels in order to control the fixture correctly.

DMX Channel Function

Channel Mode	Channel	Value	Function
1	1 Pan Movement	0-255	0 to 120 degrees
	2 Auto Chase	0-15	Off
		16-31	Pan 60 Speed 1
		32-47	Pan 60 Speed 2
		48-63	Pan 60 Speed 3
		64-79	Pan 60 Speed 4
		80-95	Pan 60 Speed 5
		96-111	Pan 90 Speed 1
		112-127	Pan 90 Speed 2
		128-143	Pan 90 Speed 3
		144-159	Pan 90 Speed 4
		160-175	Pan 90 Speed 5
		176-191	Pan 120 Speed 1
		192-207	Pan 120 Speed 2
		208-223	Pan 120 Speed 3
		224-239	Pan 120 Speed 4
240-255	Pan 120 Speed 5		

Service and Maintenance

Important! Smoke fluid residue, dust and any excessive particle residue will degrade product performance, cause overheating and damage fixture. Damages caused by inadequate cleaning or maintenance are not covered by product warranty.

Cleaning

- Unplug fixture from AC power before starting.
- Use vacuum or air compressor and soft brush to remove dust on components and vents.
- Clean fixture with a moist, lint-free cloth.
- Never use alcohol or solvents.

Technical Specifications

Input voltage	AC100-240V 50-60Hz
Power	11W
Pan	120 degrees
Control option	DMX 512, Manual
DMX channels	1, 2
Operation	DMX 512, 4 digit display with 4 buttons
Power connection	IEC
DMX data connection	3-pin XLR
Housing	Metal chassis with plastic cover
Protection rating	IP-20 Indoor use only
Dimension	L 169 x W 154 x H 150/5 mm
Dry weight	1.9 kg

PAN MOTOR —
PM-1

C08PM0100