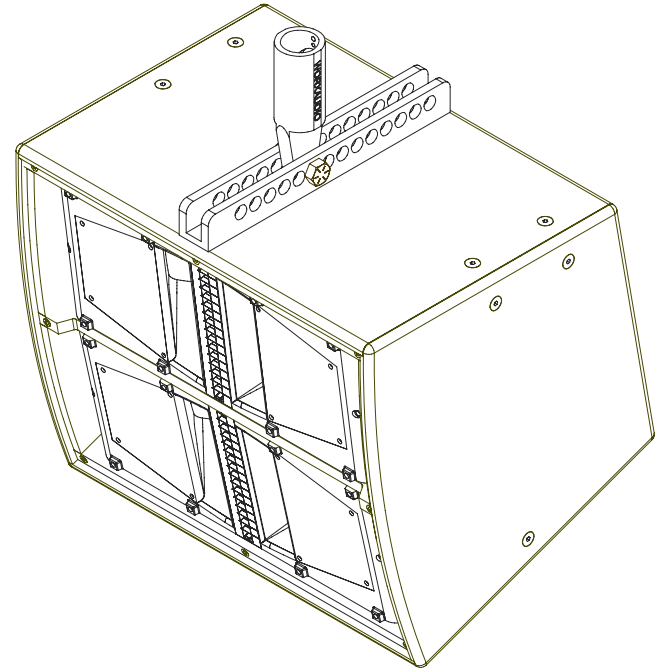
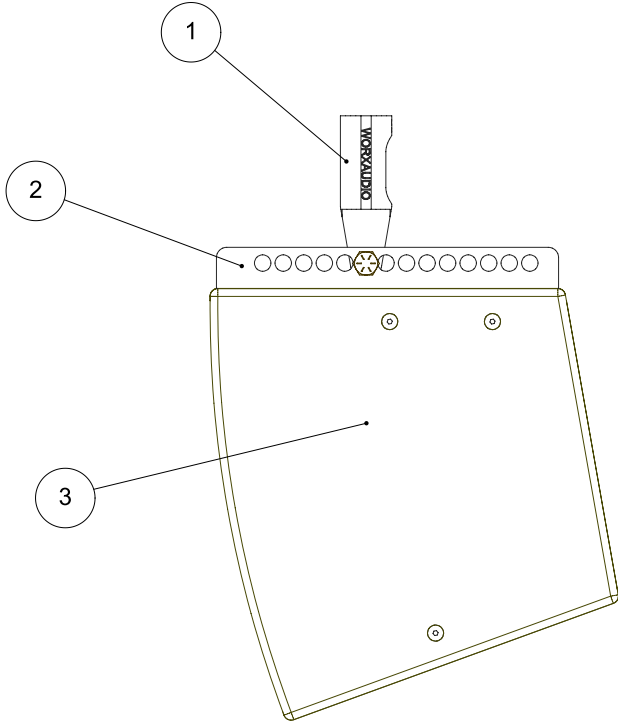


ITEM NO.	PART NUMBER	QTY
1	TRUERIG-G-A1.5M (MALE PIPE COUPLER THREADED NPT SCHEDULE 40 1.5 INCH / POWDERCOAT BLACK OR WHITE)	1
2	X-MINIBEAM-2/3 (MINIBEAM 2/3 / POWDERCOAT BLACK OR WHITE)	1
3	X2i (BLACK OR WHITE / POWDERED. PASSIVE, BIAMP)	1



X2i WITH MINI BEAM

X2i, MINIBEAM, MALE PIPE COUPLER			
			8/21/16
SIZE	CAGE CODE	DWG NO.	REV
A1			M
SCALE 1:3		SHEET 1 of 1	