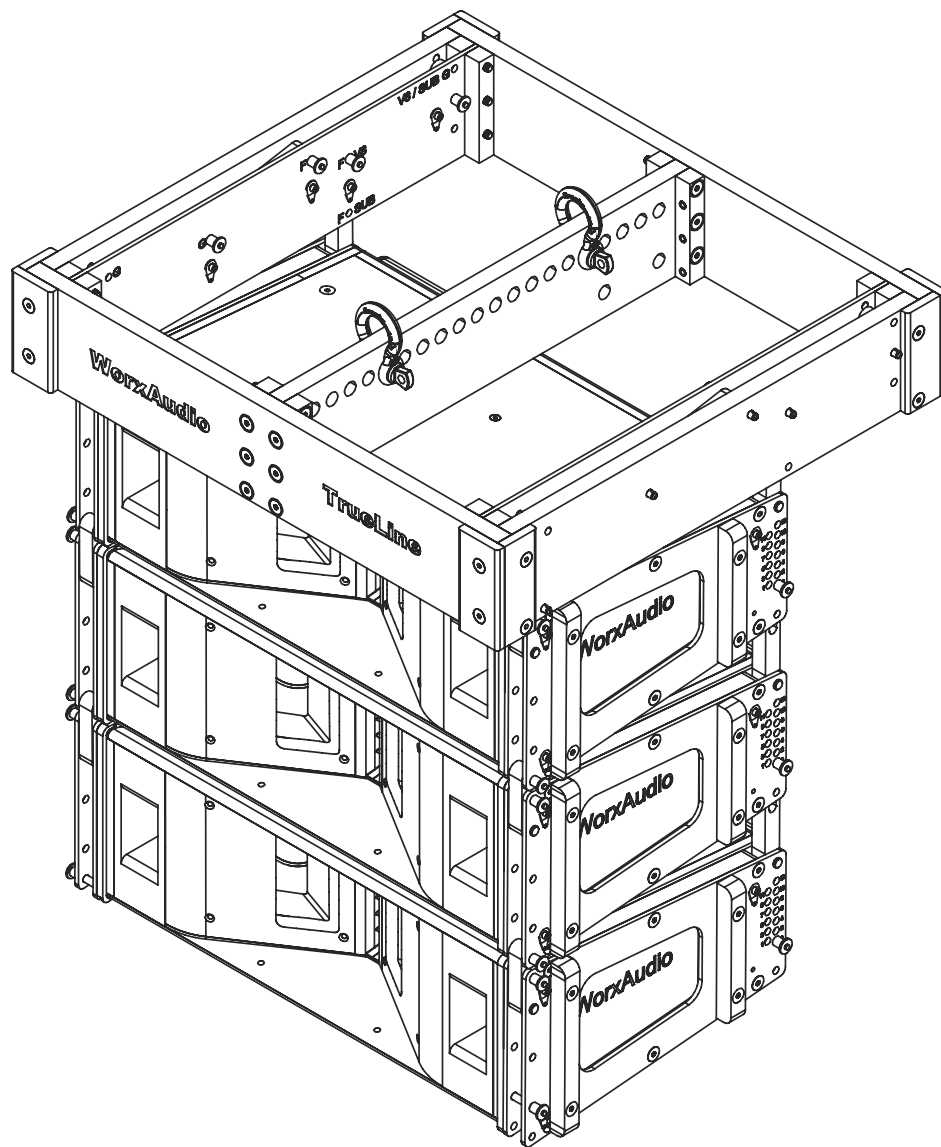
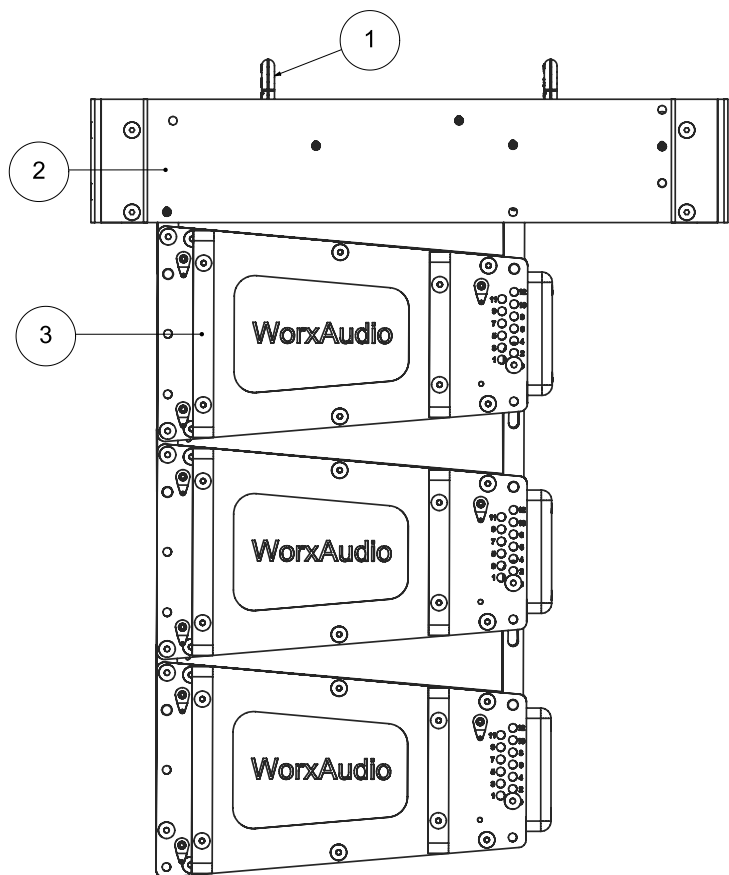


ITEM NO.	PART NUMBER	QTY
1	5/8 SCREW PIN SHACKEL (RECOMMENDED / PARTS NOT SUPPLIED)	2
2	V8-TRUEGRID TOUR (TOUR GRID FOR V8T / ANODIZED BLACK)	1
3	V8T (V8 TOUR WITH EXTERNAL RIGGING / POWERED, BIAMPED / BLACK)	1



V8T (3 BOX ARRARRY) WITH V8 TOUR GRID

V8T			
V8 TOUR POWERED, V8 TOUR GRID			
SIZE	CAGE CODE	DWG NO.	REV
A1		10/20/16	M
SCALE	1:3	SHEET 1 of 1	