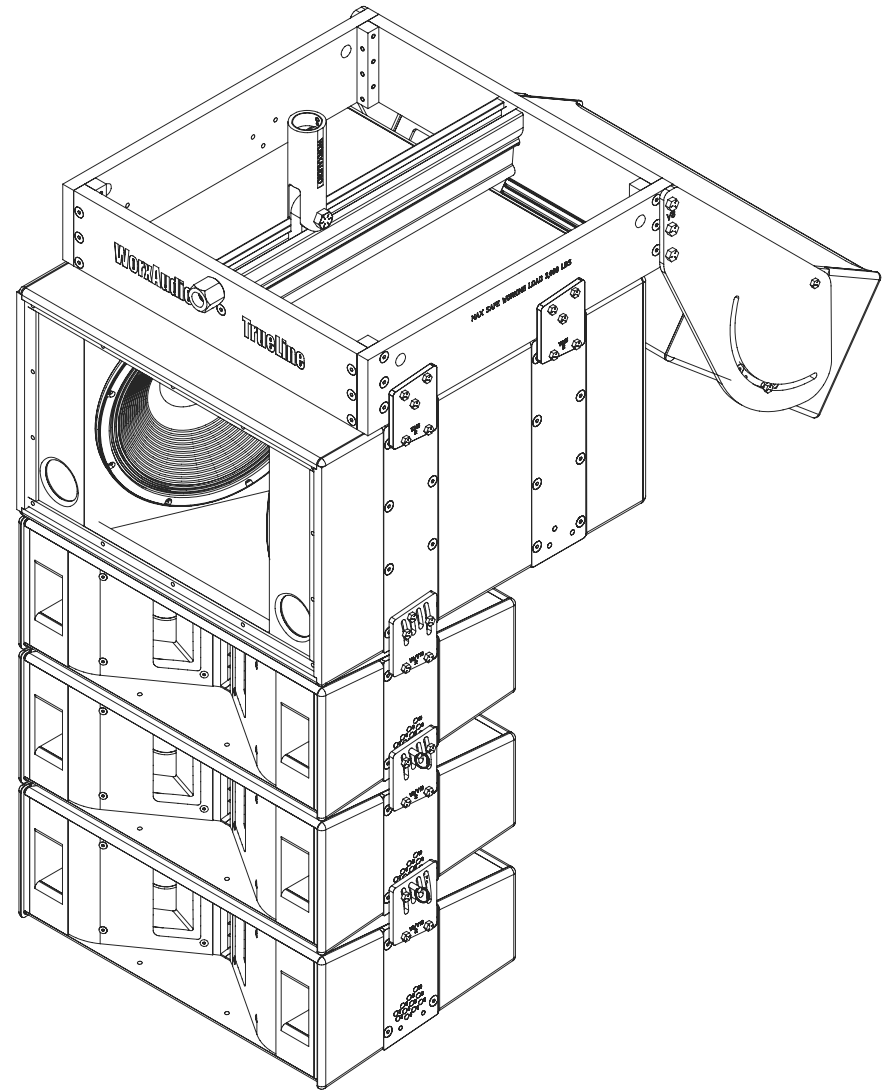
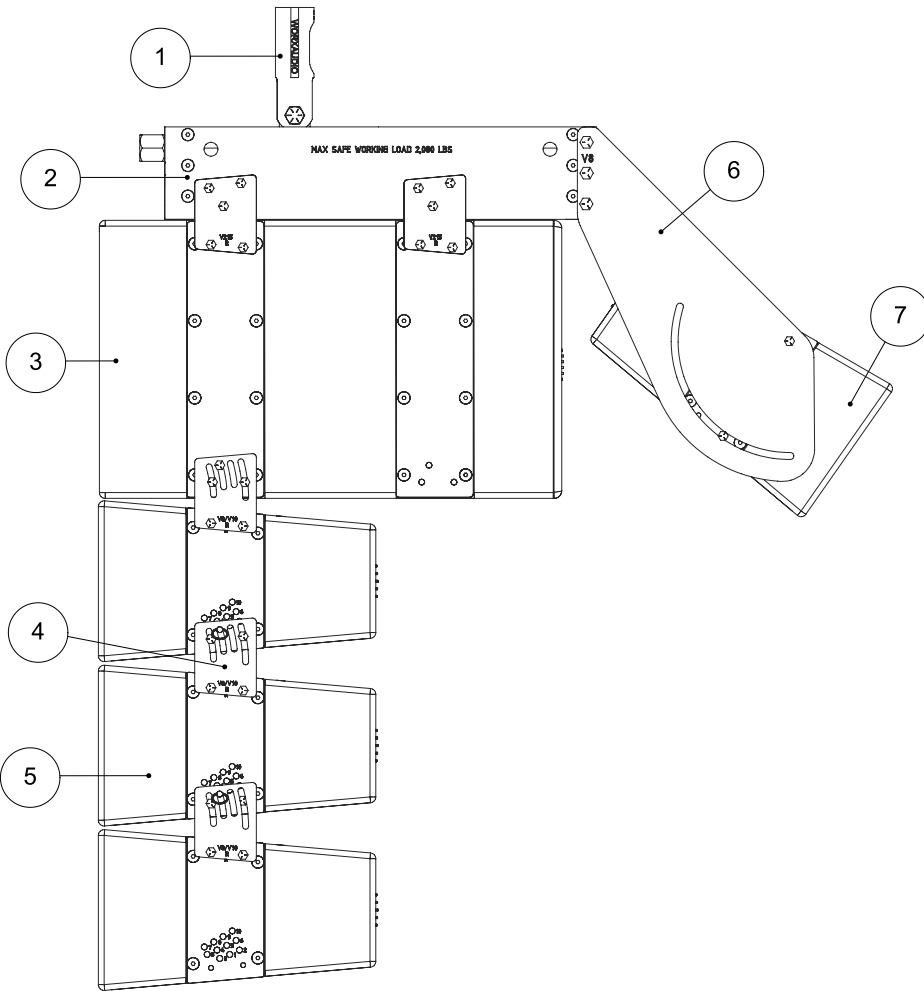


ITEM NO.	PART NUMBER	QTY
1	TRUERIG G-A-1.5F (FEMALE PIPE COUPLER THREADED NPT SCHEDULE 40 1.5 INCH / POWDERCOAT BLACK OR WHITE)	1
2	V8 -I-ADJ (V8 ADJUSTABLE GRID / POWDERCOAT BLACK OR WHITE)	1
3	V215iR (DUAL 15" BASS SPEAKER / EXTERNAL RIGGING / POWERED - NON POWERED / BLACK OR WHITE)	1
4	V8 RIGGING KIT (2 EA. SLOTTED RIGGING PLATES, 2 EA. .375 QUICK RELEASE PINS, 8 EA. HEX BOLT - SUPPLIED WITH V8i / POWDERCOAT BLACK OR WHITE)	1
5	V8i (BLACK OR WHITE / POWDERED ,BIAMP)	1
6	V8i-GRID-A-YOKE (POWDERCOAT BLACK OR WHITE / SET OF 2 YOKES)	1
7	V8i (BLACK OR WHITE /POWDERED OR BIAMP)	1



V8i (3 BOX ARRAY) WITH V215iR AND ADJUSTABLE GRID

V8i-P, V215iR-P, ADJUSTABLE GRID			
V8 INSTALL POWERED V215 INSTALL ADJUSTABLE GRID			
SIZE	CAGE CODE	DWG NO.	REV
A1		10/3/16	
SCALE	1:4	SHEET 1 of 1	