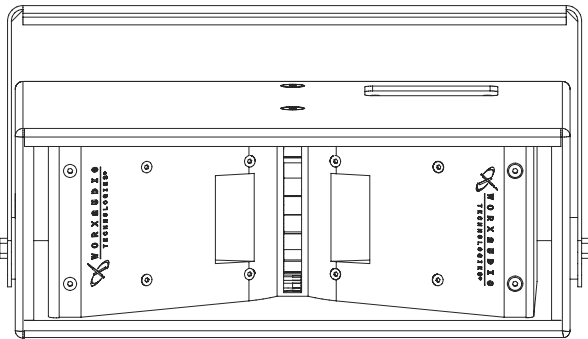
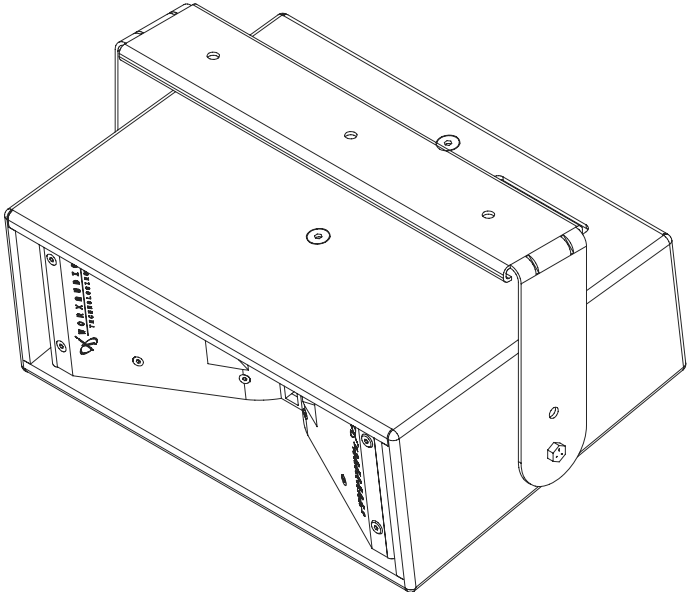
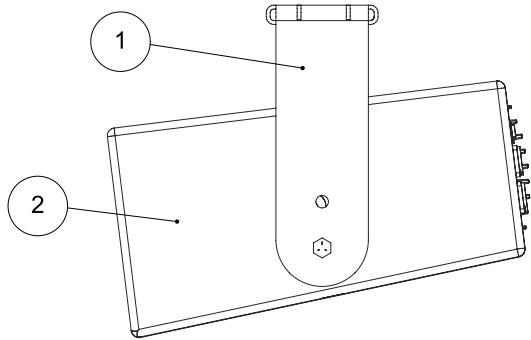


ITEM NO.	PART NUMBER	QTY
1	V5MBRACKET (ADJUSTABLE SWIVEL U BRACKET V5M / POWDERCOAT BLACK OR WHITE)	1
2	V5Mi (BLACK OR WHITE / POWERED, PASSIVE, BIAMP)	1



V5Mi WITH V5MBRACKET

V5Mi- V5M BRACKET			
V5 MONITOR - V5M BRACKET			
SIZE A1	CAGE CODE	DWG NO. 9/16/16	REV
SCALE 1:2		SHEET 1 of 1	