

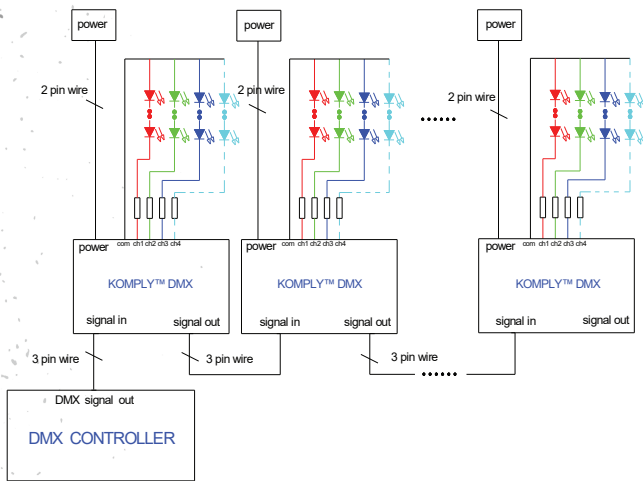
4-Ch RGB(W) Decoder



This is a 4-channel DMX512 decoder that can control up to 4 different 12V LED ribbon products or any one RGB(W) LED strip. It can run in stand-alone mode by via the DIP switches or under DMX512 control using XLR or RJ45 DMX512 Input/Output connections. It converts DMX signal to PWM signal, which can be controlled by a DMX512 console with 256-grayscale levels per channel. It also includes one male, and one female 3-pin XLR connector.

Komply™ DMX

And of course, it is backed by a 2-year warranty!



Main Features

- Easy to mount and configure
- DMX address configurable via dip switches
- 256 level brightness control
- Full color (16.7M colors)
- 7 static colors + auto in standalone
- Can be used with a single channel for brightness control
- Overload protection, overheat protection, auto-reset
- Certifications: CE, Rohs



Overview

DMX In/Out: RJ45 and XLR
7x static colors + auto in standalone
Grayscale: 256/channel



Weight + Dimensions

Dimensions: 166 x 67 x 41mm
Weight: 0.9 lbs



Power + Current

Input voltage: 12V to 24V
Input DMX Signal: DMX512/1990 digital
Output Signal: 4 channels @ up to 4A per channel
Output power: 12V:<108W, 24V:<192W



Thermal

Working temperature: -20 to 60C



Warranty

2-year limited warranty



blizzardlighting.com

info@blizzardlighting.com

[1.866.493.5025](tel:1.866.493.5025)

[1.866.493.6025](tel:1.866.493.6025)