

Komply™ Remote

Komply™ Remote is an advanced RGB controller + RF remote, perfect for use with Komply™ RGB LED ribbon products. It comes packed with 60 static color presets, plus multicolor color fade/jump auto programs with speed control. The included remote is very easy-to-use with its touch sensitive buttons + color wheel control.

Main Features:

- Touch-sensitive buttons, ultra-thin, and lightweight.
- 60 static color presets, plus built-in programs with speed control.
- Easy-to-use touch color wheel for single point selection, or continuous touch for dynamic color selection.

Remote Buttons:

- Power = Turns the controller on/off
- Play/Pause = Pause or resume dynamic programs
- Multicolor Wheel = 55+ touch points
- M+ = Color wheel button control on
- M- = Color wheel control off (static mode active)
- B+ = Brightness level up, incremental (1-100)
- B- = Brightness level down, incremental (1-100)
- S+ = Speed level up, incremental (1-100)
- S- = Speed level down, incremental (1-100)

Status LEDs (controller):

- Power - Illuminates when receiving power. Remote will go into standby mode when controller is not powered on. Slightly shake the remote once to exit standby mode.
- Signal - Illuminates when synced with remote.

Sync the Remote to the Controller:

- Long press the power button on the remote for >3 seconds.
- The status LED will flicker upon successful pairing.

KOMPLY™



Controller modes:

Mode #	Function	Description
1-60	Static colors 1-60 correspond with color wheel colors	Brightness is adjustable, speed is not adjustable
61	Three-color snap color change	Speed is adjustable, brightness is not adjustable
62	Three-color fade color change	Speed is adjustable, brightness is not adjustable
63	Seven-color snap color change	Speed is adjustable, brightness is not adjustable
64	Seven-color fade color change	Speed is adjustable, brightness is not adjustable



Control

Output: 3-channel
60 static color presets, plus multicolor color fade/jump auto programs with speed control
Remote distance: 20 meters (65.6 ft.)
Remote power: 3x AAA batteries



Weight + Dimensions

Width: 1.7" (42 mm)
Depth: 4.3" (108 mm)
Height: 1" (27 mm)
Weight: 130g



Thermal

Working temperature: -20-60°C



Power + Current

Supply voltage: DC12-24V
Static power consumption: <1W
Output Current: <4A (per ch.)
Output power: 12V:<144W, 24V:<288W
Connection: Common anode



Warranty

2-year limited warranty

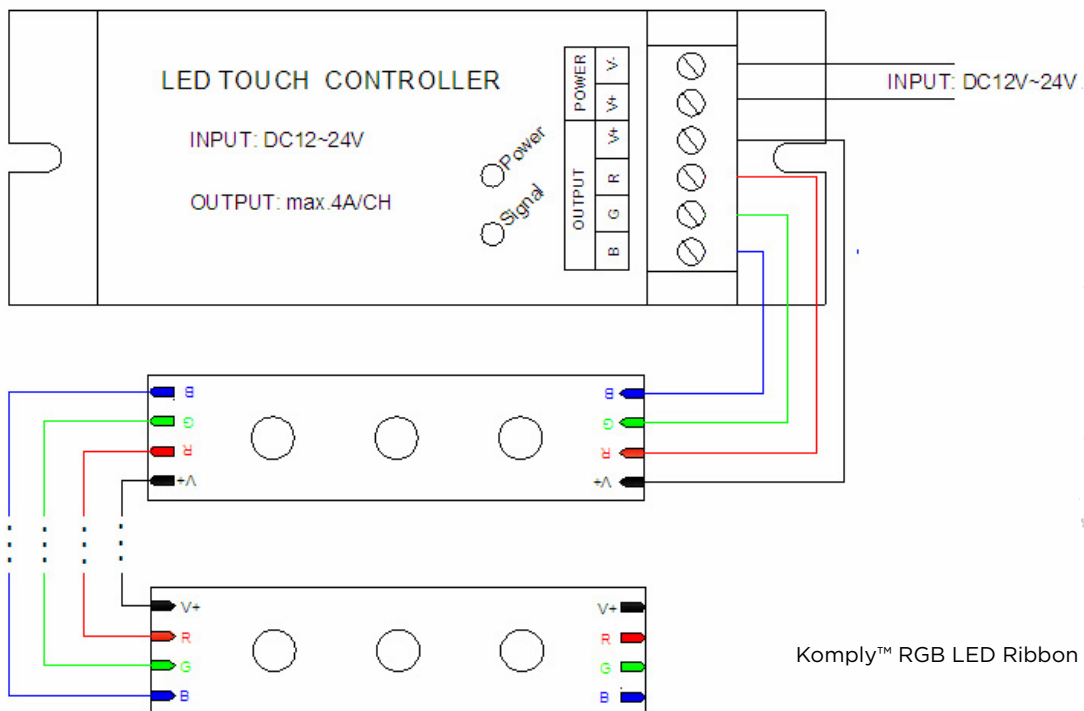
KOMPLY™

Komply™ Remote



Connections:

- Connect the load wire first, followed by the power wire.
- Do not exceed DC12-24V input voltage.



Komply™ RGB LED Ribbon