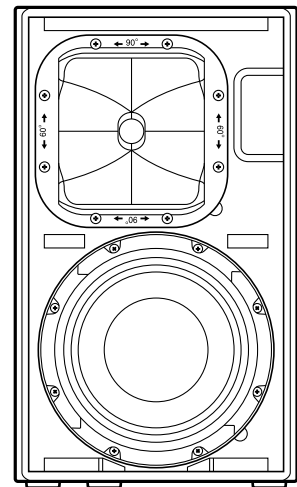
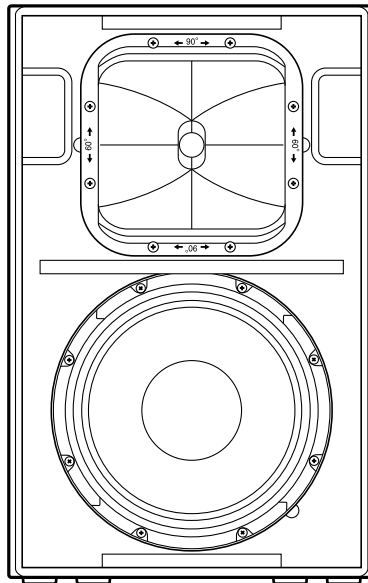
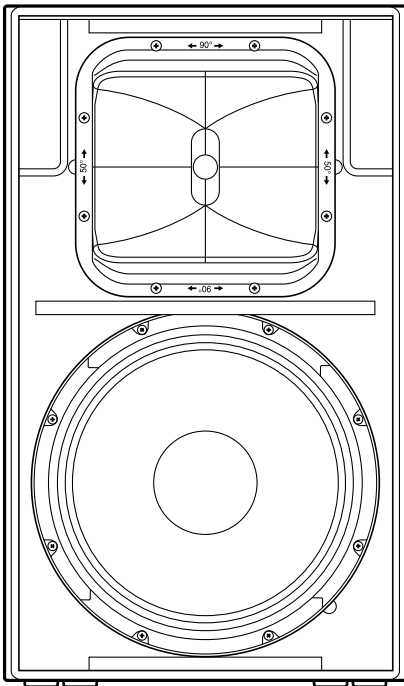


LOUDSPEAKER

CZR 15

CZR 12

CZR 10



- EN** Owner's Manual
- DE** Bedienungsanleitung
- FR** Mode d'emploi
- ES** Manual de instrucciones
- PT** Manual do Proprietário
- IT** Manuale di istruzioni
- RU** Руководство пользователя
- JA** 取扱説明書

PRECAUTIONS

PLEASE READ CAREFULLY BEFORE PROCEEDING

Please keep this manual in a safe place for future reference.



WARNING

Always follow the basic precautions listed below to avoid the possibility of serious injury or even death from electrical shock, short-circuiting, damages, fire or other hazards. These precautions include, but are not limited to, the following:

If you notice any abnormality

- If any of the following problems occur, immediately turn off the power of the amplifier.
 - Unusual smells or smoke are emitted.
 - Some object, or water has been dropped into the product.
 - There is a sudden loss of sound during use of the product.
 - Cracks or other visible damage appear on the product.
 Then have the product inspected or repaired by qualified Yamaha service personnel.

Do not open

- This product contains no user-serviceable parts. Do not attempt to disassemble the internal parts or modify them in any way.

Water warning/Fire warning

- Do not expose the product to rain, use it near water or in damp or wet conditions, or place on it any containers (such as vases, bottles or glasses) containing liquids which might spill into any openings.
- Do not place any burning items or open flames near the product, since they may cause a fire.

Hearing loss

- When turning on the AC power in your audio system, always turn on the power amplifier LAST, to avoid hearing loss and speaker damage. When turning the power off, the power amplifier should be turned off FIRST for the same reason.



CAUTION

Always follow the basic precautions listed below to avoid the possibility of physical injury to you or others, or damage to the product or other property. These precautions include, but are not limited to, the following:

Location and connection

- Do not place the product in an unstable position where it might accidentally fall over and cause injuries.
- Keep the device out of reach of children. This product is not suitable for use in locations where children are likely to be present.
- Do not place the product in a location where it may come into contact with corrosive gases or salt air. Doing so may result in malfunction.
- Before moving the product, remove all connected cables.
- When transporting or moving the product, always use two or more people. Attempting to lift the product by yourself may damage your back, result in other injury, or cause damage to the product itself.
- Do not use the speaker's handles for suspended installation. Doing so can result in damage or injury.
- Do not hold the bottom of the product when transporting or moving it. In doing so, you may pinch your hands under the product, and result in injury.
- Do not press the rear panel of the product against the wall. Doing so may cause the plug to come in contact with the wall and detach from the cable, resulting in short circuiting, malfunction, or even fire.
- Always consult qualified Yamaha service personnel if the product installation requires construction work, and make sure to observe the following precautions.
 - Choose mounting hardware and an installation location that can support the weight of the product.
 - Avoid locations that are exposed to constant vibration.
 - Use the required tools to install the product.
 - Inspect the product periodically.
- Use only speaker cables. Use of other types of cables may result in fire.

Handling caution

- When choosing a power amplifier for use with this product, make sure that the output power of the amplifier is lower than the power capacity of this product. If the output power is higher than the power capacity, malfunction or fire may occur.
- Do not input excessively loud signals that may result in clipping in the amplifier or cause the following:
 - Feedback, when using a microphone
 - Continuous and extremely loud sound from a musical instrument, etc.
 - Continuous and excessively loud distorted sound
 - Noise caused by plugging/unplugging the cable while the amplifier is turned on
 Even if the output power of the amplifier is lower than the power capacity of this product (program), damage to the product, malfunction or fire may occur.
- Do not operate the product if the sound is distorting. Prolonged use in this condition could cause overheating and result in fire.

Yamaha cannot be held responsible for damage caused by improper use or modifications to the product.

NOTICE

To avoid the possibility of malfunction/damage to the product, or damage to other property, follow the notices below.

■ Handling and maintenance

- Do not expose the product to excessive dust or vibration, or extreme cold or heat (such as in direct sunlight, near a heater, or in a car during the day), in order to prevent the possibility of panel disfiguration, unstable operation, or damage to the internal components.
- Do not place the speaker face down with the grille attached, as deformation of the grille may result.
- When placing the speaker face down, always place it on a flat surface.
- Do not touch the speaker driver unit.
- Be sure to observe the amplifier's rated load impedance (see page 7), particularly when connecting speakers in parallel. Connecting an impedance load outside the amplifier's rated range can damage the amplifier.
- Protection Circuit
This speaker system has an internal protection circuit that shuts off the speaker unit when an excessive input signal is applied. If the speaker unit emits no sound, reduce the volume level of the amplifier immediately. The sound will return automatically in several seconds.
- Air blowing out of the bass reflex ports is normal, and often occurs when the speaker is handling program material with heavy bass content.
- During extreme changes in temperature or humidity, condensation may occur and water may collect on the surface of the product. If water is left, the wooden parts may absorb the water and be damaged. Make sure to wipe any water off immediately with a soft cloth.

■ Connectors

- Use only Neutrik NL4 plugs for connecting speakON connectors.

Information

■ About this manual

- The illustrations as shown in this manual are for instructional purposes only.
- The company names and product names in this manual are the trademarks or registered trademarks of their respective companies.

■ About disposal

- This product contains recyclable components. When disposing of this product, please contact the appropriate local authorities.

Information for users on collection and disposal of old equipment:



This symbol on the products, packaging, and/or accompanying documents means that used electrical and electronic products should not be mixed with general household waste. For proper treatment, recovery and recycling of old products, please take them to applicable collection points, in accordance with your national legislation.

By disposing of these products correctly, you will help to save valuable resources and prevent any potential negative effects on human health and the environment which could otherwise arise from inappropriate waste handling.

For more information about collection and recycling of old products, please contact your local municipality, your waste disposal service or the point of sale where you purchased the items.

For business users in the European Union:

If you wish to discard electrical and electronic equipment, please contact your dealer or supplier for further information.

Information on Disposal in other Countries outside the European Union:

This symbol is only valid in the European Union. If you wish to discard these items, please contact your local authorities or dealer and ask for the correct method of disposal.

(weee_eu_en_02)

Introduction

Thank you for purchasing the Yamaha CZR15, CZR12, CZR10 LOUDSPEAKER (hereinafter referred to as “CZR”). This product is a speaker designed for live performance, sound reinforcement and fixed installation sound system applications. This manual explains how to install, set up, and configure the connections for the installers, constructors, or general users familiar with speakers. Please read this manual thoroughly before you begin using this product to get the most out of the product. After reading this manual, please keep it available for future reference.

- The example illustrations used in this manual are taken from the CZR12, if not otherwise specified.

Contents

PRECAUTIONS	2	Selection and Settings of Processors and Amplifiers.....	8
Introduction	5	Basic Setting Example.....	8
Main Features.....	5	Rotatable Horn.....	9
Included Accessories.....	5	Switching Between Passive and Bi-amp Mode.....	10
Optional Accessories (sold separately)	5	Installation Examples.....	11
Functions.....	6	Troubleshooting	13
Connection.....	7	Specifications (English only)	100

Main Features

- The CZR series has three different models, depending on the woofer size: CZR15 (15-inch), CZR12 (12-inch) and CZR10 (10-inch).
- The LF (low-frequency) unit features an aluminum die-cast frame and a 3-inch voice coil for high durability in audio reproduction. It uses a lightweight and powerful neodymium magnet that achieves band extension to even lower frequencies and reproduction capability that adds punch and power to the bass.
- The HF (high-frequency) unit features a titanium diaphragm, 2-inch voice coil, and neodymium magnet. It is paired with a fixed directional horn designed specifically for each model, for sparkling highs and superior directional characteristics.
- The specially designed enclosure features lightweight and strong plywood with a scratch-resistant rigid polyurea coating for improved portability and durability.
- A variety of installation methods are possible, including two angle adjustments for use on a stand, use as a floor monitor, several rigging points, and 90-degree rotation of the horn.
- The speaker can be changed to a Bi-amp configuration, to maximize the performance of each unit and further optimize the reproduction characteristics.

Included Accessories

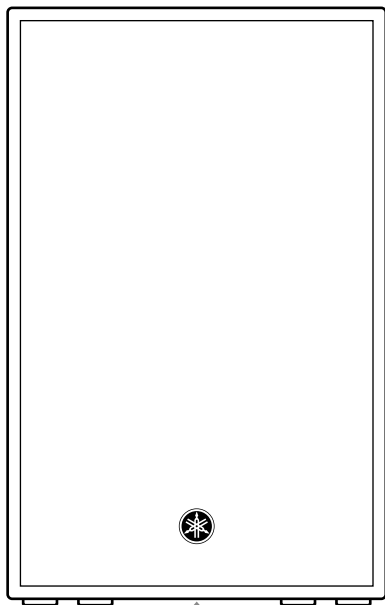
Owner's Manual (this book)

Optional Accessories (sold separately)

	U-bracket (UB-DZR series)	Speaker cover (SPCVR series)
CZR15	UB-DZR15H, UB-DZR15V	SPCVR-DZR15
CZR12	UB-DZR12H, UB-DZR12V	SPCVR-DZR12
CZR10	UB-DZR10H, UB-DZR10V	SPCVR-DZR10

Functions

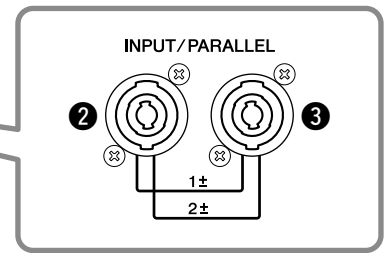
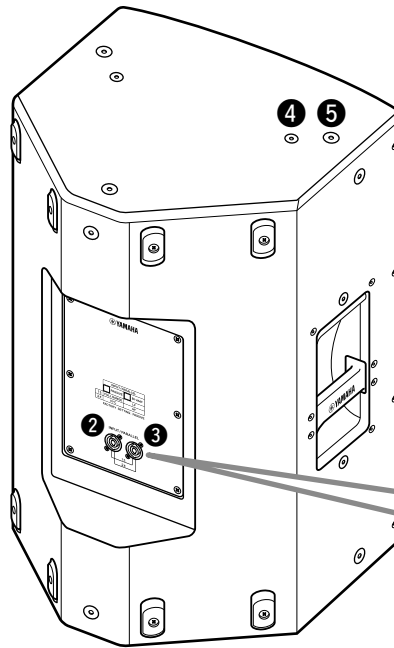
Front



Bottom

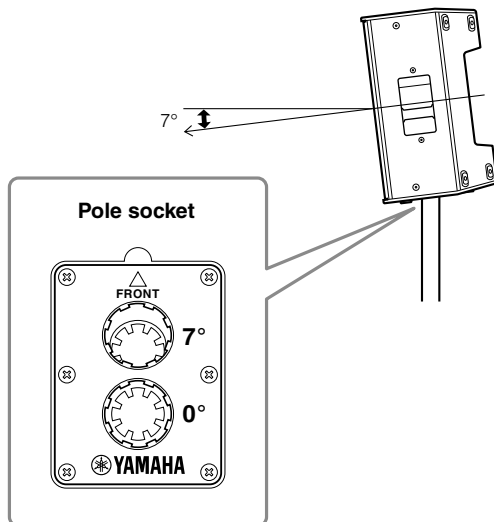


Rear



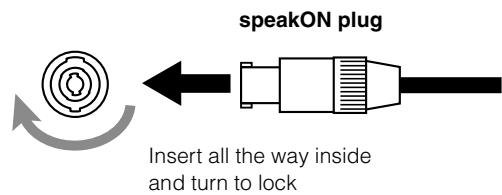
1 Tiltable pole socket

This mount has two pole sockets. You can choose the angle of the CZR unit so that the speaker is positioned horizontal to the floor or tilting down toward the floor by 7 degrees. These sockets are compatible with commercially available speaker stands and speaker poles of 35 mm diameter.



2 3 [INPUT/PARALLEL] jacks

These are speakON jacks (Neutrik NL4) for connection to a power amplifier using a speaker cable. The factory setting is in the Passive mode. When using in the Passive mode, input the signals to the 1+/1- contacts of the [INPUT/PARALLEL] jack. 2 and 3 are connected in parallel.



4 Screw holes for U-bracket

For installing with separately sold U-brackets.

5 Screw holes for eye bolts

For installing the CZR using eye bolts. The screw holes for eye bolts go through the cabinet wall.

Connection

Wiring

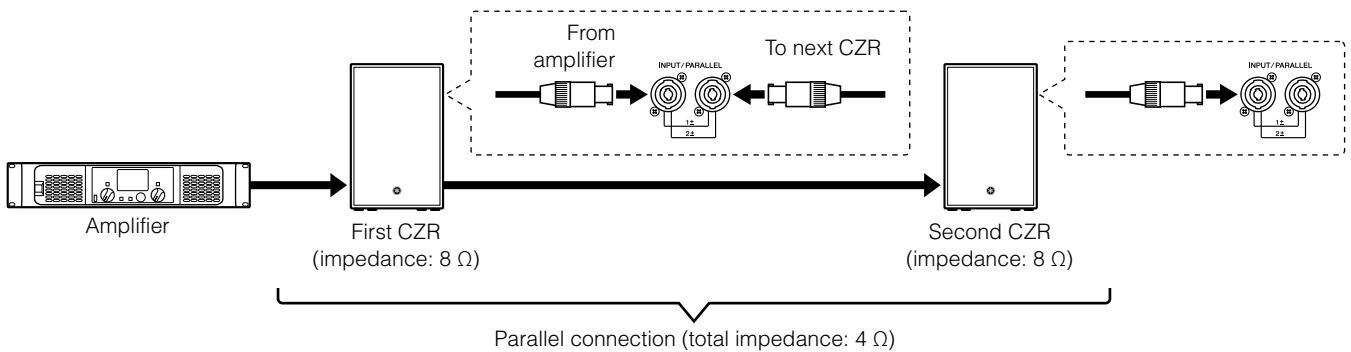
Wire the plugs as shown below. Make sure to use cables specially designed for speakers. When the CZR itself is used in the Passive mode, wiring to the 2+ and 2- contacts is unnecessary. When the CZR is used in the Bi-amp mode, or when the signals are sent together with the signal from a subwoofer over a single cable (see “Basic Setting Example” on page 8), make sure to also wire to the 2+ and 2- contacts.



Parallel Connection of Speakers

[INPUT/PARALLEL] jacks are connected inside in parallel. The first CZR can receive the signal from a power amplifier (hereinafter, “amplifier”) by one of the [INPUT/PARALLEL] jacks, and route the signal to the second CZR from the rest of [INPUT/PARALLEL] jacks.

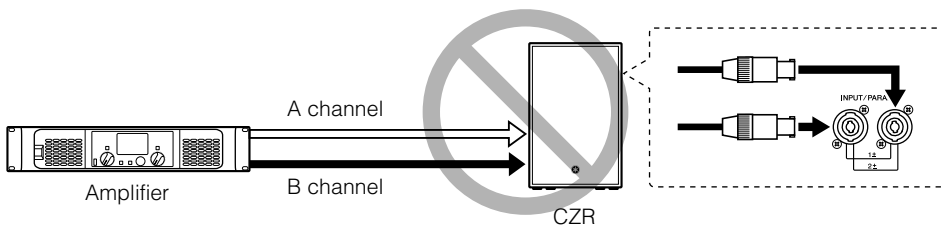
When connecting CZR units in parallel, be sure to check the load impedance that the amplifier can drive with. The nominal impedance of one CZR is eight ohms, and the total impedance of two parallel CZR units is four ohms. In this case, the amplifier must be able to drive a speaker less than four ohm load impedance.



Invalid connection

NOTICE

NEVER connect multiple signals from the amplifier to the [INPUT/PARALLEL] jacks simultaneously. This creates a very dangerous short circuit, possibly resulting in amplifier malfunction.



Selection and Settings of Processors and Amplifiers

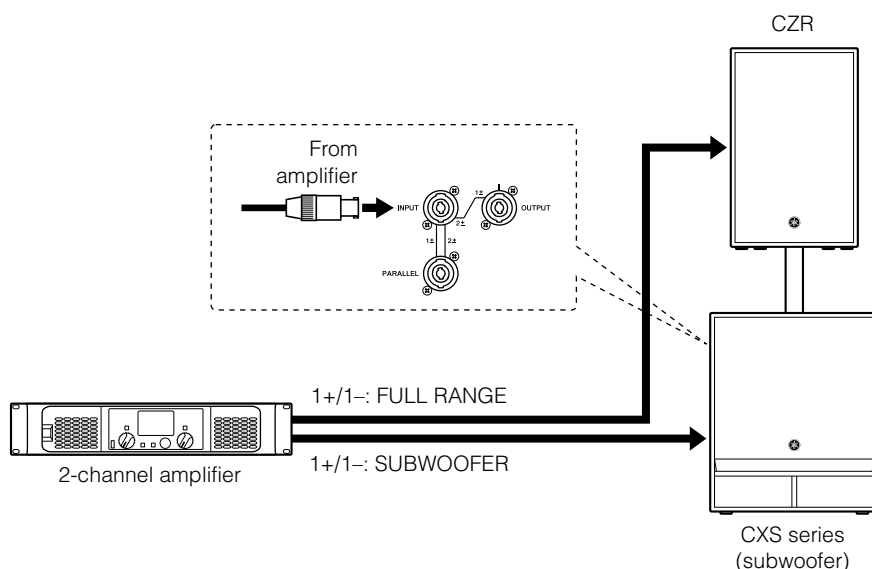
In order to take full advantage of the CZR performance, make sure to adjust the crossover and equalizer (EQ) using a processor/DSP built-in amplifier.

When selecting an amplifier, the amplifier should have a similar program (PGM) wattage rating to the speaker. For example, since the PGM rating of the CZR12 is 800W, an amplifier of 640W to 1000W (0.8 to 1.25 times that of 800W) should be selected. However, when a speaker can be protected properly by a limiter, amplifiers with more power can be used together.

Visit the CZR product page of the Yamaha Pro Audio global website for details on the recommended models of processors and amplifiers, and EQ settings.

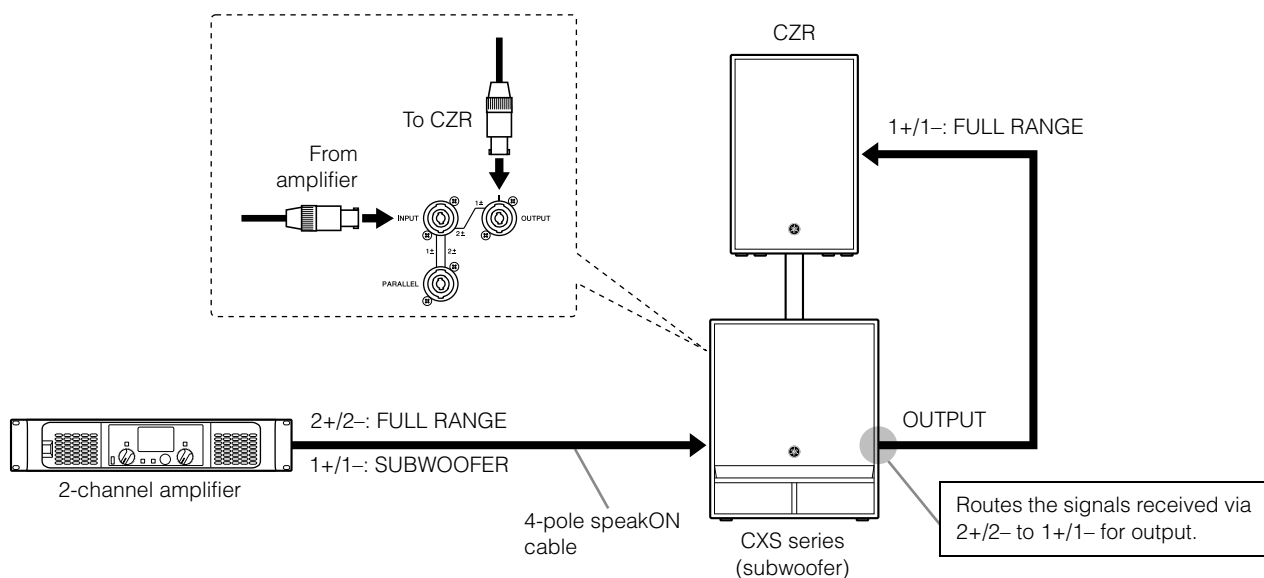
Basic Setting Example

- This system is connected by two independent cables from a 2-channel amplifier to a CZR and a subwoofer.



- This system is connected by a single cable from the outputs of a 2-channel amplifier, using the output jack on the CXS series.

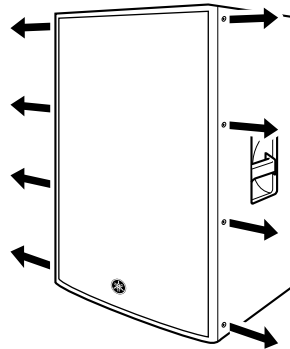
The output jack of the CXS series (subwoofers) receives the signals via 2+/2- of the [INPUT/PARALLEL] jack and routes them to 1+/1- for output. Using the output jack of the CXS along with a 4-pole speakON cable, you can connect an amplifier to the CXS with a single cable. For details, please refer to the relevant CXS series manual.



Rotatable Horn

When shipped from the factory, the directivity of CZR in a vertical orientation is the setting which makes the sound expand in a horizontal direction, and inhibits or narrows the sound in a vertical direction. We recommend changing the directivity by rotating the horn when you want to install CZR horizontally or when you want to use them as a floor monitor and broaden the directivity.

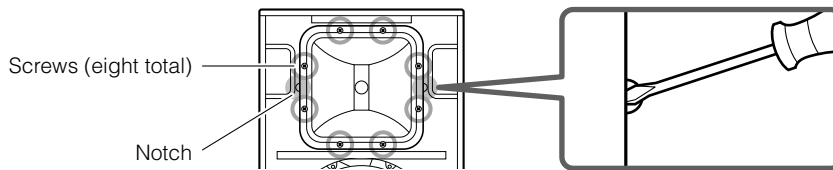
1. Using a 2.5 mm hexagonal wrench, remove all fixing screws (CZR10: six total) on the grille, and remove the grille from the speaker.



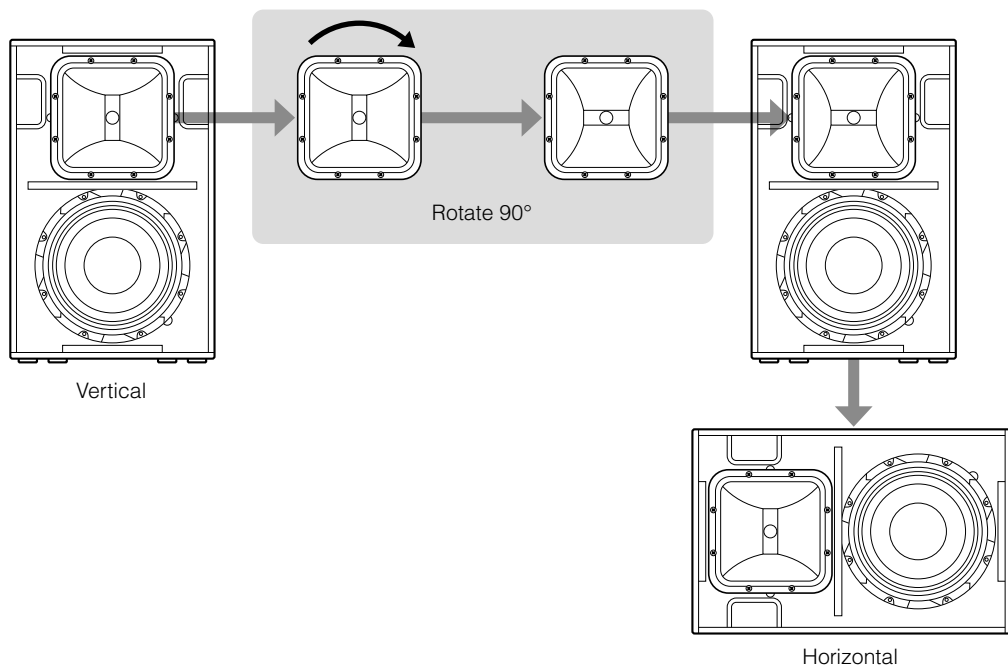
2. Using a No. 2 Phillips head screwdriver, remove all screws installed on the horn and pull the horn out from the speaker.

NOTE

- Make sure not to push the screws too strongly with the Phillips head screwdriver. This may cause the nuts inside the cabinet to fall off.
- If the horn cannot smoothly be pulled out, hook the notches using a flat-bladed screwdriver, and pull out.



3. Rotate the horn 90 degrees, and re-install the horn to the speaker, reversing the steps above.



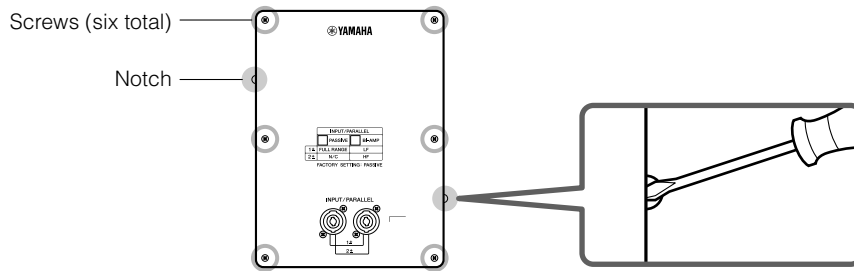
Switching Between Passive and Bi-amp Mode

The factory setting for CZR internal wiring is the Passive mode. However, you can change the setting to the Bi-amp mode. When driving in the Bi-amp mode, you must use an external crossover processor and the output from a 2-channel amplifier. By driving in the Bi-amp mode, protection can be set separately for the LF and HF, and precise settings can be made for crossover frequency and time alignment between the LF and HF. This optimizes the performance capacity of each unit and increases the limit capability.

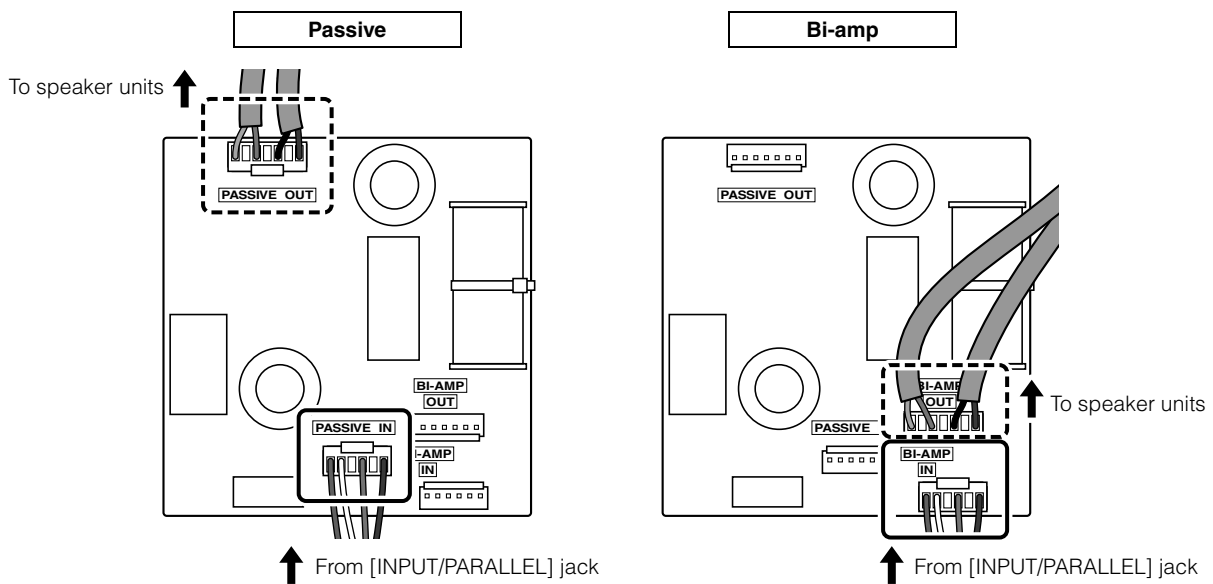
- Using a M5 Phillips head screwdriver, remove all fixing screws on the rear panel, and remove the rear panel.

NOTE

- When removing the screws, make sure not to push the screws strongly. This may cause the nuts inside the cabinet to fall off.
- If the rear panel cannot smoothly be removed, hook the notches using a flat-bladed screwdriver, and pull out.



- Disconnect the input and output cable connectors from the [PASSIVE IN]/[PASSIVE OUT] connectors on the network base, and connect them to [BI-AMP IN]/[BI-AMP OUT] connectors respectively.
- Re-install the rear panel to the speaker, reversing the steps above. (The base shown below is of the CZR10.)



NOTE

After changing the mode, we recommend marking the appropriate blank on the rear panel list to indicate the current state.

	INPUT/PARALLEL	
	PASSIVE	BI-AMP
1±	FULL RANGE	LF
2±	N/C	HF

FACTORY SETTING: PASSIVE

Installation Examples



CAUTION

- Before doing any installation or construction work, consult with your Yamaha dealer.
- The installation should be checked thoroughly at regular intervals. Some fittings may deteriorate over extended periods of time due to wear and/or corrosion.
- When choosing the installation location, suspension wire and mounting hardware, make sure all are strong enough to support the weight of the speaker.
- Make sure to take precautionary measures using wires to prevent the speaker from falling down in the event of an installation failure.
- When installing the wire to the wall, install it higher than the wire's attachment point on the speaker, with as little slack as possible. If the wire is too long, and the speaker happens to fall, the wire may snap as a result of too much strain.
- Make sure to use eye bolts according to the standards and safety regulations in your area.

Yamaha cannot be held responsible for damage or injury caused by insufficient strength of the support structure or improper installation.

Suspended Installation Using Eye Bolts

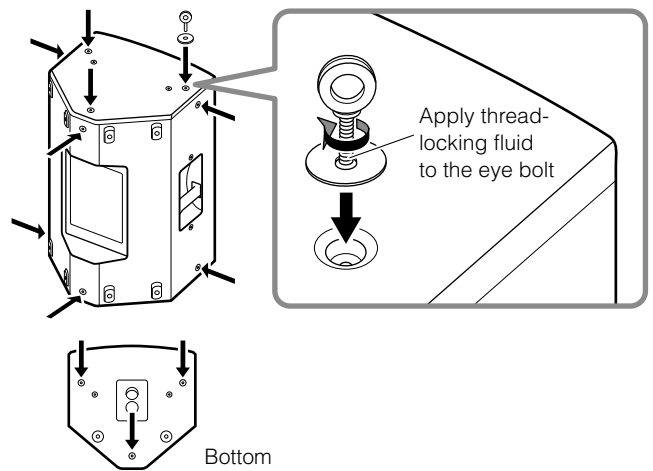
Attach commercially-available long eye bolts (30–50 mm in length) to the screw holes for the eye bolts (6 on page 6). The screw diameter for CZR15 and CZR12 is M10, and the screw diameters for CZR10 are M10 and M8. Keep in mind that you will need two or more rigging points.

■ Securing the eye bolts

Insert the eye bolts through the washers when attaching them.

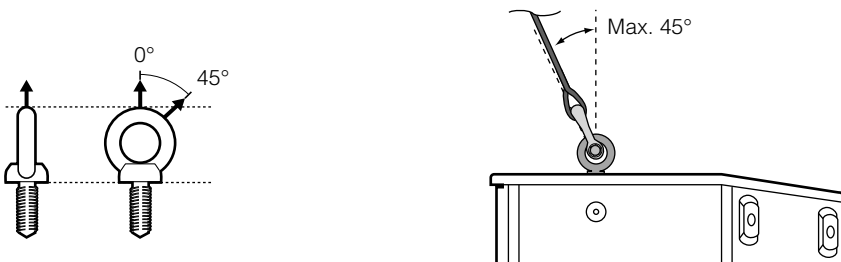
NOTE

- The screw holes for eye bolts go through the cabinet wall.
- When using eye bolts, remove the flat-head screws tightened at the time of factory shipment. When not using eye bolts, tighten the flat-head screws in order to prevent air leaks.

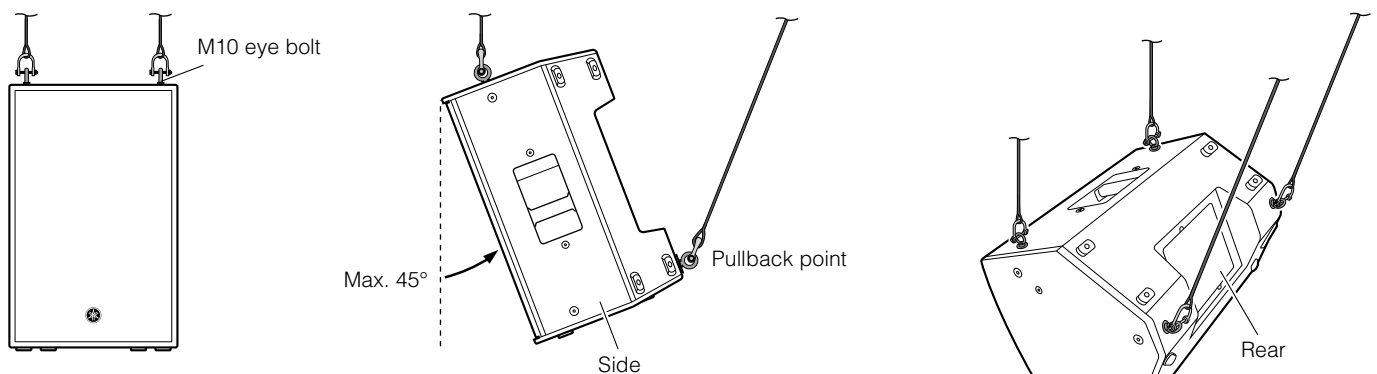


■ Suspension angle

Make sure to use eye bolts within a range of 0 to 45 degrees from a right angle.

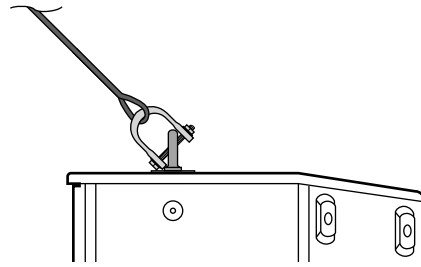
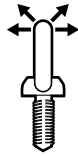


■ Suspended Installation Example

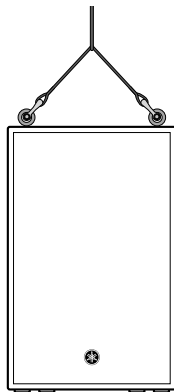


■ Incorrect examples for suspended installation

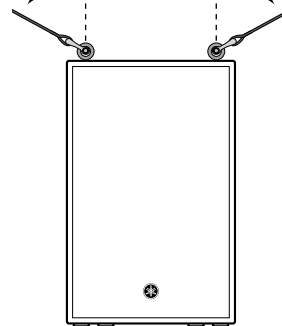
Do not suspend the eye bolts as shown in the illustrations below.



Only one suspension point



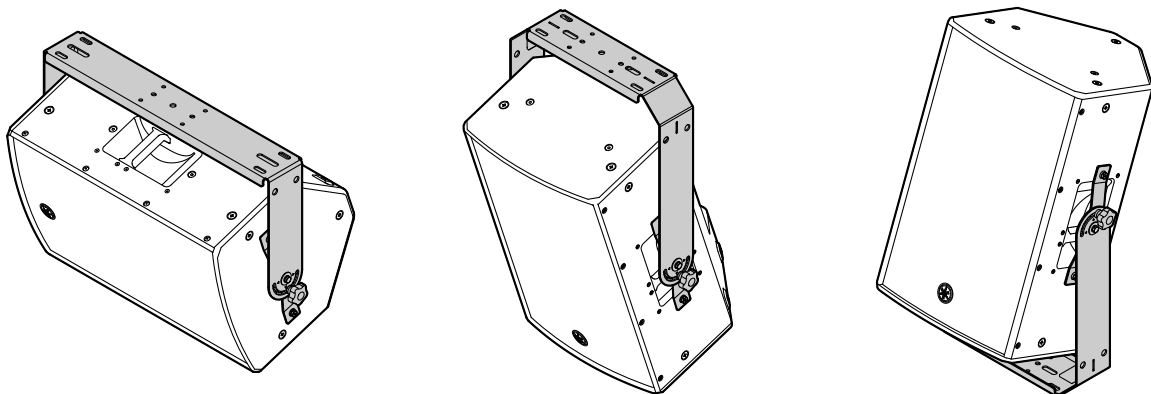
More than 45° from a right angle
More than 45°
More than 45°



Installation Using a Dedicated U-bracket

By using the separately sold Yamaha UB-DZR series U-bracket, you can expand the installation possibilities of the CZR. For instructions on installing the U-bracket, refer to the corresponding manual for the UB-DZR series.

■ Examples



NOTE

The UB-DZR series can be used together with separately sold optional brackets, such as the Yamaha BBS251 Baton Bracket.

Troubleshooting

Symptom	Possible causes	Possible solution
No sound.	The cable is not connected properly.	Connect the speakON cable to the [INPUT/PARALLEL] jack correctly. When using in the Passive mode, make sure to connect the 1+/1- contacts of the speakON cable to the amplifier outputs.
Sound is interrupted suddenly.	The speaker units are damaged.	If no sound although the connection and signal level are appropriate, there is a possibility of malfunction of the speaker units. Contact your Yamaha dealer.
The amplifier shuts down.	When connecting the speakers in parallel, the total impedance of the speakers is less than the minimum load impedance of the amplifier. (For example, when more than three eight-ohm speakers are connected in parallel to an amplifier having a minimum load impedance of four ohms.)	Lower the number of speakers connected in parallel, or use an amplifier which can drive with the total impedance of the speakers, in order to not be less than the minimum load impedance of the amplifier.
	The protection system of the amplifier has been enabled because the input volume is excessive.	Wait until the amplifier cools down. Before using it again, lower the input volume.
No high-frequency sound.	The HF protection system has been enabled.	Refer to the "Protection Circuit" NOTICE on page 3.
	When using in the Bi-amp mode, the signals are sent only to the 1+/1- contacts of the [INPUT/PARALLEL] jack.	When using in Bi-amp mode, send the correct signals to the 1+/1- and 2+/2- contacts of the [INPUT/PARALLEL] jack. (1+/1-: LF, 2+/2-: HF)
Sound is distorted.	Input volume is excessive.	Lower the volume of the input device so that the limit indicator of the amplifier lights only occasionally.

If any specific problem should persist, contact your Yamaha dealer.

Specifications

General Specifications

		CZR15	CZR12	CZR10
System Type		2-way speaker, Bass-reflex		
Frequency Range (-10 dB)	Passive	43 Hz – 20 kHz	43 Hz – 20 kHz	43 Hz – 20 kHz
	Normal *1	34 Hz – 20 kHz	42 Hz – 20 kHz	46 Hz – 20 kHz
	FOH *1	33 Hz – 20 kHz	38 Hz – 20 kHz	43 Hz – 20 kHz
Coverage Angle		H90° × V50° Rotatable, Constant directivity horn	H90° × V60° Rotatable, Constant directivity horn	H90° × V60° Rotatable, Constant directivity horn
Crossover Frequency (Passive)		2.0 kHz	2.0 kHz	2.5 kHz
Nominal Impedance	Passive	8 Ω	8 Ω	8 Ω
	Bi-amp	LF: 8 Ω, HF: 16 Ω	LF: 8 Ω, HF: 16 Ω	LF: 8 Ω, HF: 16 Ω
Power Rating (EIA 426-A)	Passive	NOISE	400 W	400 W
		PGM	800 W	800 W
		MAX	1600 W	1600 W
Power Rating (LF: EIA 426-A) (HF: AES)	Bi-amp	NOISE	LF: 400 W, HF: 50 W	LF: 400 W, HF: 50 W
		PGM	LF: 800 W, HF: 100 W	LF: 800 W, HF: 100 W
		MAX	LF: 1600 W, HF: 200 W	LF: 1600 W, HF: 200 W
Sensitivity (1 W, 1 m) *2	Passive	97 dB SPL	97 dB SPL	95 dB SPL
	Bi-amp	LF: 99 dB SPL, HF: 108 dB SPL	LF: 97 dB SPL, HF: 108 dB SPL	LF: 95 dB SPL, HF: 108 dB SPL
Maximum SPL (Calculated, 1 m) *2	Passive	129 dB SPL	129 dB SPL	127 dB SPL
	Bi-amp	LF: 131 dB SPL, HF: 131 dB SPL	LF: 129 dB SPL, HF: 131 dB SPL	LF: 127 dB SPL, HF: 131 dB SPL
Transducer	LF	15" Cone, 3" Voice coil, Neodymium magnet	12" Cone, 3" Voice coil, Neodymium magnet	10" Cone, 3" Voice coil, Neodymium magnet
	HF	2" Voice coil, 1" Throat compression driver, Titanium diaphragm, Neodymium magnet		
Enclosure Material, Finish, Color		Plywood, Durable polyurea coating, Black		
Floor Monitor Angle		50° Symmetrical	50° Symmetrical	50°
Dimensions (W × H × D, with rubber feet)		450 × 761 × 460 mm	410 × 646 × 394 mm	315 × 537 × 345 mm
Net Weight		21.3 kg	18.0 kg	14.0 kg
Handles		Aluminium die-cast, Side × 2		Aluminium die-cast, Top × 1, Side × 1
Pole Socket		Ø35 mm × 2 (0° or -7°)		
Rigging Points		M10 × 12		M10 × 8 M8 × 2
Connectors		speakON NL4MP × 2 (Parallel)		
Optional Bracket		UB-DZR15H, UB-DZR15V	UB-DZR12H, UB-DZR12V	UB-DZR10H, UB-DZR10V
Optional Cover		SPCVR-DZR15	SPCVR-DZR12	SPCVR-DZR10

*1: With recommended DSP processing.

*2: Full-space (4π)

The contents of this manual apply to the latest specifications as of the publishing date. To obtain the latest manual, access the Yamaha website then download the manual file.

Der Inhalt dieser Bedienungsanleitung gilt für die neuesten technischen Daten zum Zeitpunkt der Veröffentlichung. Um die neueste Version der Anleitung zu erhalten, rufen Sie die Website von Yamaha auf und laden Sie dann die Datei mit der Bedienungsanleitung herunter.

Le contenu de ce mode d'emploi s'applique aux dernières caractéristiques techniques connues à la date de publication du manuel. Pour obtenir la version la plus récente du manuel, accédez au site Web de Yamaha puis téléchargez le fichier du manuel concerné.

El contenido de este manual se aplica a las últimas especificaciones según la fecha de publicación. Para obtener el último manual, acceda al sitio web de Yamaha y descargue el archivo del manual.

O conteúdo deste manual se aplica às especificações mais recentes a partir da data de publicação. Para obter o manual mais recente, acesse o site da Yamaha e faça o download do arquivo do manual.

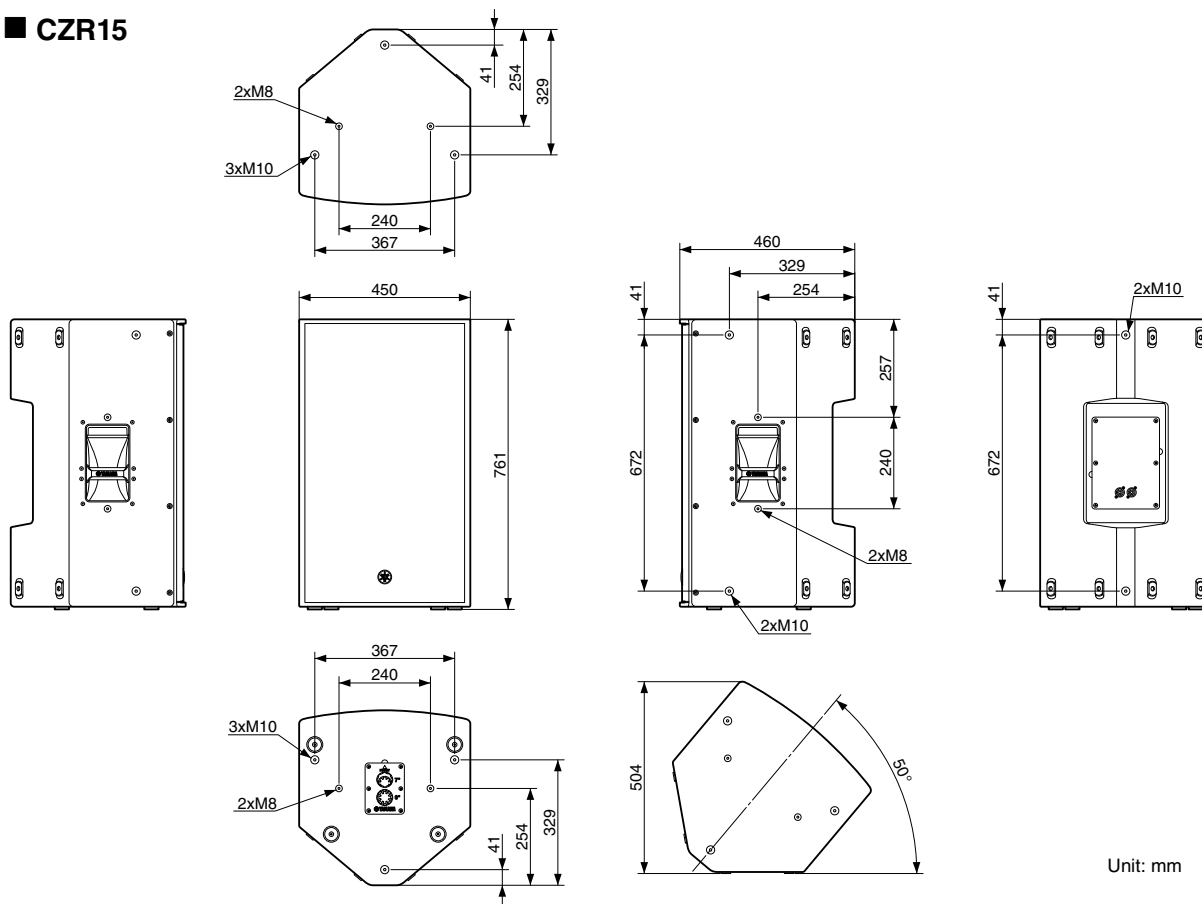
Il contenuto del presente manuale si applica alle ultime specifiche tecniche a partire dalla data di pubblicazione. Per ottenere la versione più recente del manuale, accedere al sito Web Yamaha e scaricare il file corrispondente.

В содержании данного руководства приведены последние на момент публикации технические характеристики. Для получения последней версии руководства посетите веб-сайт корпорации Yamaha и загрузите файл с руководством.

本書は、発行時点での最新仕様で説明しています。最新版は、ヤマハウェブサイトからダウンロードできます。

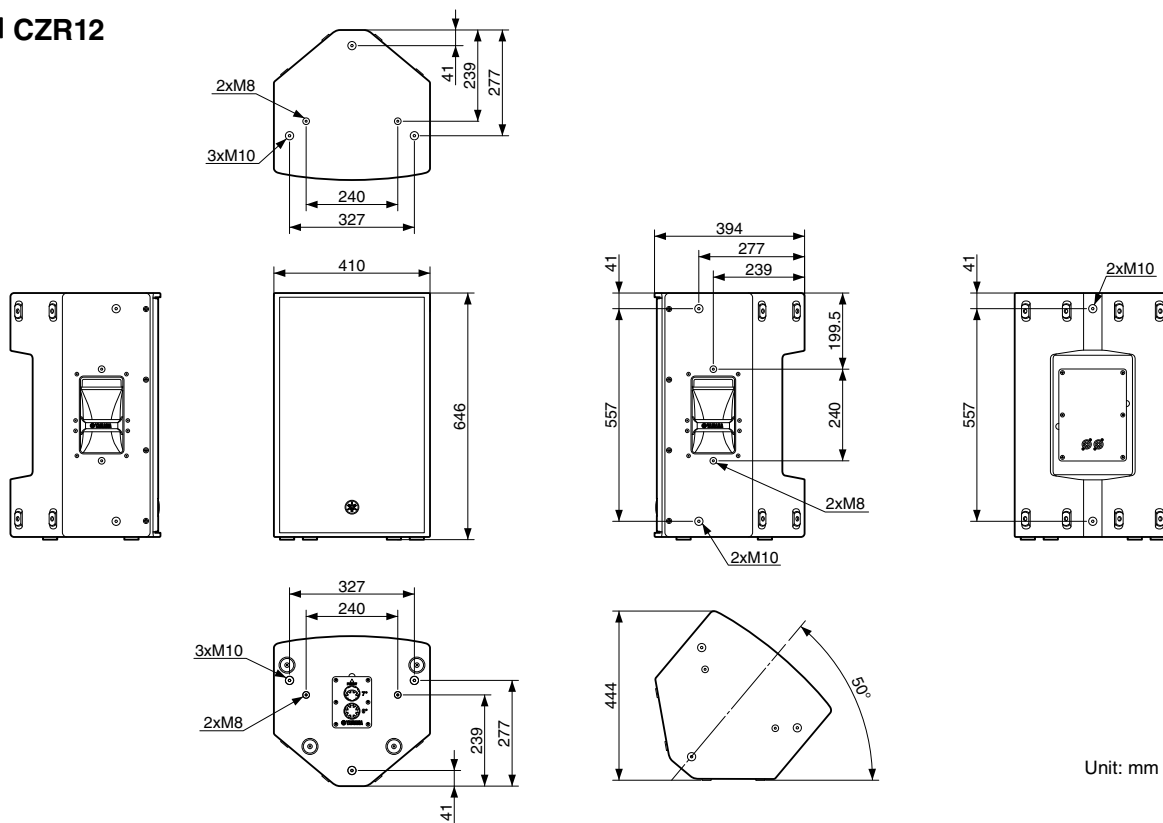
Dimensions

■ CZR15



Unit: mm

■ CZR12



Unit: mm

English

Deutsch

Français

Español

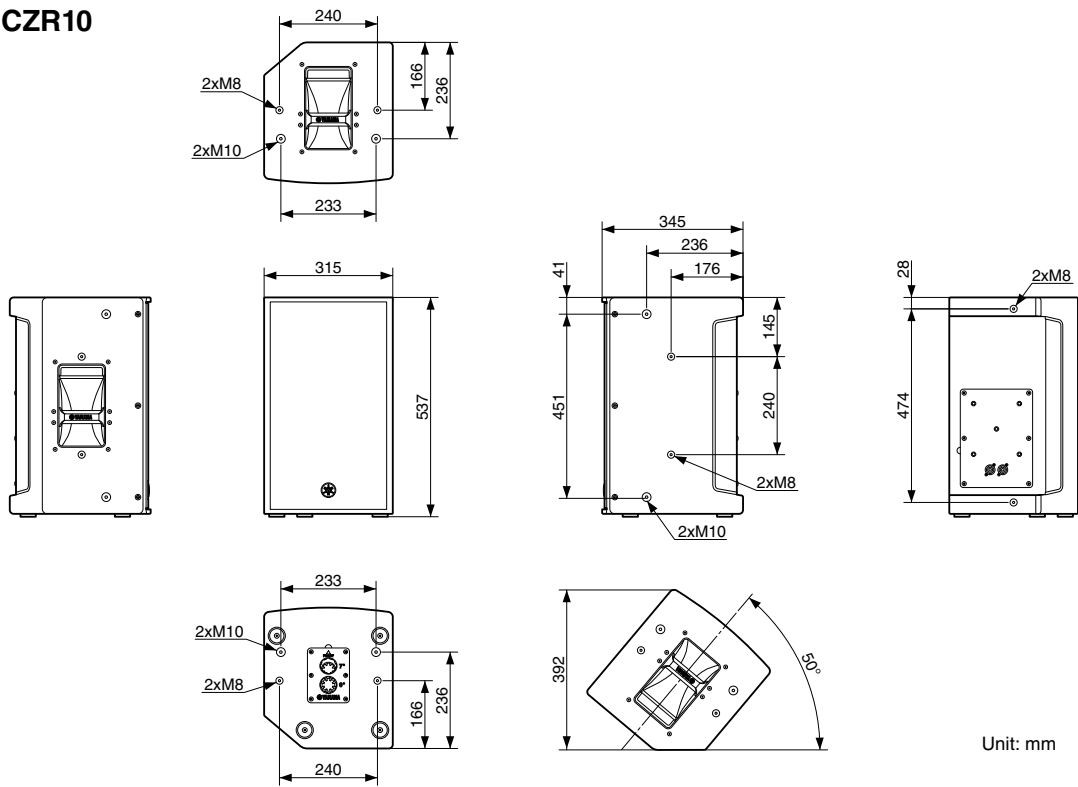
Português

Italiano

Русский

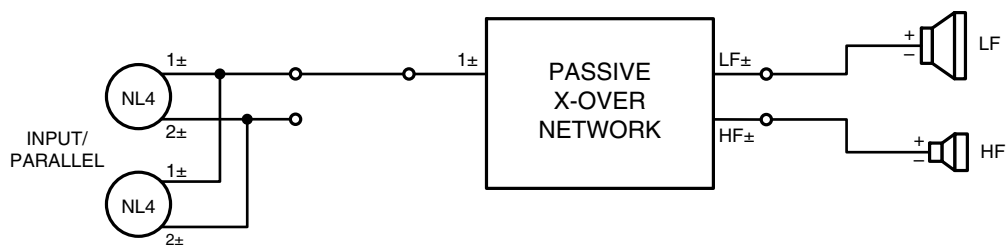
日本語

■ CZR10

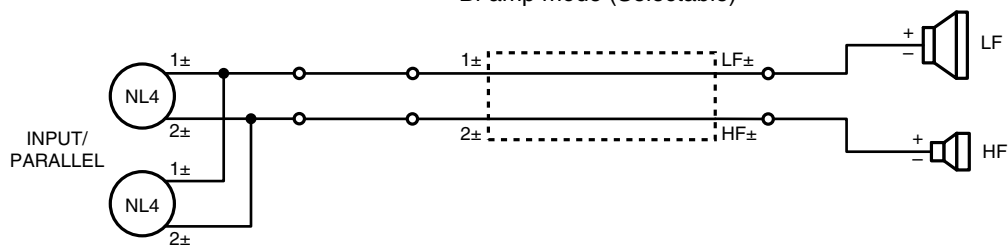


Block Diagram (CZR15, CZR12, CZR10)

Passive mode (Factory setting)



Bi-amp mode (Selectable)



Important Notice: Guarantee Information for customers in European Economic Area (EEA) and Switzerland

<p>Important Notice: Guarantee Information for customers in EEA* and Switzerland</p> <p>For detailed guarantee information about this Yamaha product, and Pan-EEA* and Switzerland warranty service, please either visit the website address below (Printable file is available at our website) or contact the Yamaha representative office for your country. * EEA: European Economic Area</p>	English
<p>Wichtiger Hinweis: Garantie-Information für Kunden in der EWR* und der Schweiz</p> <p>Für nähere Garantie-Information über dieses Produkt von Yamaha, sowie über den Pan-EWR*- und Schweizer Garantieservice, besuchen Sie bitte entweder die folgend angegebene Internetadresse (eine druckfähige Version befindet sich auch auf unserer Webseite), oder wenden Sie sich an den für Ihr Land zuständigen Yamaha-Vertrieb. *EWR: Europäischer Wirtschaftsraum</p>	Deutsch
<p>Remarque importante: informations de garantie pour les clients de l'EEE et la Suisse</p> <p>Pour des informations plus détaillées sur la garantie de ce produit Yamaha et sur le service de garantie applicable dans l'ensemble de l'EEE ainsi qu'en Suisse, consultez notre site Web à l'adresse ci-dessous (le fichier imprimable est disponible sur notre site Web) ou contactez directement Yamaha dans votre pays de résidence. * EEE : Espace Economique Européen</p>	Français
<p>Belangrijke mededeling: Garantie-informatie voor klanten in de EER* en Zwitserland</p> <p>Voor gedetailleerde garantie-informatie over dit Yamaha-product en de garantieservice in heel de EER* en Zwitserland, gaat u naar de onderstaande website (u vindt een afdrukbaar bestand op onze website) of neemt u contact op met de vertegenwoordiging van Yamaha in uw land. * EER: Europese Economische Ruimte</p>	Nederlands
<p>Aviso importante: información sobre la garantía para los clientes del EEE* y Suiza</p> <p>Para una información detallada sobre este producto Yamaha y sobre el soporte de garantía en la zona EEE* y Suiza, visite la dirección web que se incluye más abajo (la versión del archivo para imprimir esta disponible en nuestro sitio web) o póngase en contacto con el representante de Yamaha en su país. * EEE: Espacio Económico Europeo</p>	Español
<p>Avviso importante: informazioni sulla garanzia per i clienti residenti nell'EEA* e in Svizzera</p> <p>Per informazioni dettagliate sulla garanzia relativa a questo prodotto Yamaha e l'assistenza in garanzia nei paesi EEA* e in Svizzera, potete consultare il sito Web all'indirizzo riportato di seguito (è disponibile il file in formato stampabile) oppure contattare l'ufficio di rappresentanza locale della Yamaha. * EEA: Area Economica Europea</p>	Italiano
<p>Aviso importante: informações sobre as garantias para clientes da AEE* e da Suíça</p> <p>Para obter uma informação pormenorizada sobre este produto da Yamaha e sobre o serviço de garantia na AEE* e na Suíça, visite o site a seguir (o arquivo para impressão está disponível no nosso site) ou entre em contato com o escritório de representação da Yamaha no seu país. * AEE: Área Econômica Européia</p>	Português
<p>Σημαντική σημείωση: Πληροφορίες εγγύησης για τους πελάτες στον ΕΟΧ* και Ελλάδα</p> <p>Για λεπτομερείς πληροφορίες εγγύησης σχετικά με το παρόν προϊόν της Yamaha και την κάλυψη εγγύησης σε όλες τις χώρες του ΕΟΧ και την Ελλάδα, επισκεφτείτε την παρακάτω ιστοσελίδα (Εκτυπώσιμη μορφή είναι διαθέσιμη στην ιστοσελίδα μας) ή απευθυνθείτε στην αντιπροσωπεία της Yamaha στη χώρα σας. * ΕΟΧ: Ευρωπαϊκός Οικονομικός Χώρος</p>	Ελληνικά
<p>Viktigt: Garantiinformation för kunder i EES-området* och Schweiz</p> <p>För detaljerad information om denna Yamahaprodukt samt garantiservice i hela EES-området* och Schweiz kan du antingen besöka nedanstående webbadress (en utskriftsvänlig fil finns på webbplatsen) eller kontakta Yamahas officiella representant i ditt land. * EES: Europeiska Ekonomiska Samarbetsområdet</p>	Svenska
<p>Viktig merknad: Garantiinformasjon for kunder i EØS* og Sveits</p> <p>Detaljert garantiinformasjon om dette Yamaha-produktet og garantiservice for hele EØS-området* og Sveits kan fås enten ved å besøke nettstedene nedenfor (utskriftsversjon finnes på våre nettsider) eller kontakte Yamahas offisielle representant i landet der du bor. *EØS: Det europeiske økonomiske samarbeidsområdet</p>	Norsk
<p>Vigtig oplysning: Garantioplysninger til kunder i EØO* og Schweiz</p> <p>De kan finde detaljerede garantioplysninger om dette Yamaha-produkt og den fælles garantiserviceordning for EØO* (og Schweiz) ved at besøge det websted, der er angivet nedenfor (der findes en fil, som kan udskrives, på vores websted), eller ved at kontakte Yamahas nationale repræsentationskontor i det land, hvor De bor. * EØO: Det Europæiske Økonomiske Område</p>	Dansk
<p>Tärkeä ilmoitus: Takuutiedot Euroopan talousalueen (ETA)* ja Sveitsin asiakkaille</p> <p>Tämän Yamaha-tuotteen sekä ETA-alueen ja Sveitsin takuuta koskevat yksityiskohtaiset tiedot saatte alla olevasta nettiosoitteesta. (Tulostettava tiedosto saatavissa sivustollamme.) Voitte myös ottaa yhteyttä paikalliseen Yamaha-edustajaan. *ETA: Euroopan talousalue</p>	Suomi
<p>Ważne: Warunki gwarancyjne obowiązujące w EOG* i Szwajcarii</p> <p>Aby dowiedzieć się więcej na temat warunków gwarancyjnych tego produktu firmy Yamaha i serwisu gwarancyjnego w całym EOG* i Szwajcarii, należy odwiedzić wskazaną poniżej stronę internetową (Plik gotowy do wydruku znajduje się na naszej stronie internetowej) lub skontaktować się z przedstawicielstwem firmy Yamaha w swoim kraju. * EOG — Europejski Obszar Gospodarczy</p>	Polski
<p>Důležité oznámení: Záruční informace pro zákazníky v EHS* a ve Švýcarsku</p> <p>Podrobné záruční informace o tomto produktu Yamaha a záručním servisu v celém EHS* a ve Švýcarsku naleznete na níže uvedené webové adrese (soubor k tisku je dostupný na našich webových stránkách) nebo se můžete obrátit na zástupení firmy Yamaha ve své zemi. * EHS: Evropský hospodářský prostor</p>	Česky
<p>Fontos figyelemztetés: Garancia-információk az EGT* területén és Svájcban élő vásárlók számára</p> <p>A jelen Yamaha termékre vonatkozó részletes garancia-információk, valamint az EGT*-re és Svájcra kiterjedő garanciális szolgáltatás tekintetében keresse fel webhelyünket az alábbi címen (a webhelyen nyomtatható fájl is talál), vagy pedig lépjen kapcsolatba az országában működő Yamaha képviselői irodával. * EGT: Európai Gazdasági Térség</p>	Magyar
<p>Oluline märkus: Garantiiteave Euroopa Majanduspiirkonna (EMP)* ja Šveitsi klientidele</p> <p>Täpsema teabe saamiseks selle Yamaha toote garantii ning kogu Euroopa Majanduspiirkonna ja Šveitsi garantiiteeninduse kohta, külastage palun veebisaiti alljärgneval aadressil (meie saidil on saadaval printitav fail) või pöörduge Teie regiooni Yamaha esinduse poole. * EMP: Euroopa Majanduspiirkond</p>	Eesti keel
<p>Svarīgs paziņojums: garantijas informācija klientiem EEZ* un Šveicē</p> <p>Lai saņemtu detalizētu garantijas informāciju par šo Yamaha produktu, kā arī garantijas apkalpošanu EEZ* un Šveicē, lūdzu, apmeklējiet zemāk norādīto tīmekļa vietnes adresi (tīmekļa vietnē ir pieejams drukājams fails) vai sazinieties ar jūsu valsti apkalpojošo Yamaha pārstāvniecību. * EEZ: Eiropas Ekonomikas zona</p>	Latviešu
<p>Dėmesio: informacija dėl garantijos pirkėjams EEE* ir Šveicarijoje</p> <p>Jei reikia išsamios informacijos apie šį „Yamaha“ produktą ir jo techninę priežiūrą visoje EEE* ir Šveicarijoje, apsilankykite mūsų svetainėje toliau nurodytu adresu (svetainėje yra spausdintinas failas) arba kreipkitės į „Yamaha“ atstovybę savo šalyje. *EEE – Europos ekonominė erdvė</p>	Lietuvių kalba
<p>Dôležité upozornenie: Informácie o záruke pre zákazníkov v EHP* a Švajčiarsku</p> <p>Podrobné informácie o záruke týkajúce sa tohto produktu od spoločnosti Yamaha a garančnom servise v EHP* a Švajčiarsku nájdete na webovej stránke uvedenej nižšie (na našej webovej stránke je k dispozícii súbor na tlač) alebo sa obráťte na zástupcu spoločnosti Yamaha vo svojej krajine. * EHP: Európsky hospodársky priestor</p>	Slovenčina
<p>Pomembno obvestilo: Informacije o garanciji za kupce v EGP* in Švici</p> <p>Za podrobnejše informacije o tem Yamahinem izdelku ter garancijskem servisu v celotnem EGP in Švici, obiščite spletno mesto, ki je navedeno spodaj (natisljiva datoteka je na voljo na našem spletnem mestu), ali se obrnite na Yamahinega predstavnika v svoji državi. * EGP: Evropski gospodarski prostor</p>	Slovenščina
<p>Важно съобщение: Информация за гаранцията за клиенти в ЕИП* и Швейцария</p> <p>За подробна информация за гаранцията за този продукт на Yamaha и гаранционното обслужване в паневропейската зона на ЕИП* и Швейцария или посетете посочения по-долу уеб сайт (на нашия уеб сайт има файл за печат), или се свържете с представителния офис на Yamaha във вашата страна. * ЕИП: Европейски икономически пространство</p>	Български език
<p>Notificare importantă: Informații despre garanție pentru clienții din SEE* și Elveția</p> <p>Pentru informații detaliate privind acest produs Yamaha și serviciul de garanție Pan-SEE* și Elveția, vizitați site-ul la adresa de mai jos (fișierul imprimabil este disponibil pe site-ul nostru) sau contactați biroul reprezentanței Yamaha din țara dumneavoastră. * SEE: Spațiul Economic European</p>	Limba română

<http://europe.yamaha.com/warranty/>

URL_4

ADDRESS LIST

NORTH AMERICA

CANADA

Yamaha Canada Music Ltd.
135 Milner Avenue, Toronto, Ontario,
M1S 3R1, Canada
Tel: +1-416-298-1311

U.S.A.

Yamaha Corporation of America
6600 Orangethorpe Avenue, Buena Park, CA 90620,
U.S.A.
Tel: +1-714-522-9011

CENTRAL & SOUTH AMERICA

MEXICO

Yamaha de México, S.A. de C.V.
Av. Insurgentes Sur 1647 Piso 9, Col. San José
Insurgentes, Delegación Benito Juárez, México,
D.F., C.P. 03900, México
Tel: +52-55-5804-0600

BRAZIL

Yamaha Musical do Brasil Ltda.
Rua Fidêncio Ramos, 302 – Cj 52 e 54 – Torre B – Vila
Olimpia – CEP 04551-010 – São Paulo/SP, Brazil
Tel: +55-11-3704-1377

ARGENTINA

**Yamaha Music Latin America, S.A.,
Sucursal Argentina**
Olga Cossetini 1553, Piso 4 Norte,
Madero Este-C1107CEK,
Buenos Aires, Argentina
Tel: +54-11-4119-7000

PANAMA AND OTHER LATIN AMERICAN COUNTRIES/ CARIBBEAN COUNTRIES

Yamaha Music Latin America, S.A.
Edif. Torre Banco General, Piso 7, Urbanización
Marbella, Calle 47 y Aquilino de la Guardia,
Ciudad de Panamá, República de Panamá
Tel: +507-269-5311

EUROPE

THE UNITED KINGDOM/IRELAND

Yamaha Music Europe GmbH (UK)
Sherbourne Drive, Tilbrook, Milton Keynes,
MK7 8BL, U.K.
Tel: +44-1908-366700

GERMANY

Yamaha Music Europe GmbH
Siemensstrasse 22-34, 25462 Rellingen, Germany
Tel: +49-4101-303-0

SWITZERLAND/LIECHTENSTEIN

**Yamaha Music Europe GmbH, Branch
Switzerland in Thalwil**
Seestrasse 18a, 8800 Thalwil, Switzerland
Tel: +41-44-3878080

AUSTRIA/BULGARIA/ CZECH REPUBLIC/HUNGARY/ ROMANIA/SLOVAKIA/SLOVENIA

**Yamaha Music Europe GmbH
Branch Austria**
Schleiergasse 20, 1100 Wien, Austria
Tel: +43-1-60203900

POLAND

**Yamaha Music Europe GmbH
Sp.z o.o. Oddział w Polsce**
ul. Wielicka 52, 02-657 Warszawa, Poland
Tel: +48-22-880-08-88

MALTA

Olimpus Music Ltd.
Valletta Road, Mosta MST9010, Malta
Tel: +356-2133-2093

NETHERLANDS/BELGIUM/ LUXEMBOURG

Yamaha Music Europe Branch Benelux
Clarissenhof 5b, 4133 AB Vianen, The Netherlands
Tel: +31-347-358040

FRANCE

Yamaha Music Europe
7 rue Ambroise Croizat, Zone d'activités de Pariest,
77183 Croissy-Beaubourg, France
Tel: +33-1-6461-4000

ITALY

Yamaha Music Europe GmbH, Branch Italy
Via Tinelli N.67/69 20855 Gerno di Lesmo (MB),
Italy
Tel: +39-039-9065-1

SPAIN/PORTUGAL

**Yamaha Music Europe GmbH Ibérica, Sucursal
en España**
Ctra. de la Coruña km. 17,200, 28231
Las Rozas de Madrid, Spain
Tel: +34-91-639-88-88

GREECE

Philippos Nakas S.A. The Music House
19th km. Leof. Lavriou 190 02 Peania – Attiki,
Greece
Tel: +30-210-6686168

SWEDEN/FINLAND/ICELAND

**Yamaha Music Europe GmbH Germany filial
Scandinavia**
JA Wettergrensgata 1, 400 43 Göteborg, Sweden
Tel: +46-31-89-34-00

DENMARK

**Yamaha Music Denmark,
Fillial of Yamaha Music Europe GmbH, Tyskland**
Generatorvej 8C, ST. TH., 2860 Søborg, Denmark
Tel: +45-44-92-49-00

NORWAY

**Yamaha Music Europe GmbH Germany -
Norwegian Branch**
Grini Næringspark 1, 1332 Østerås, Norway
Tel: +47-6716-7800

CYPRUS

Yamaha Music Europe GmbH
Siemensstrasse 22-34, 25462 Rellingen, Germany
Tel: +49-4101-303-0

RUSSIA

Yamaha Music (Russia) LLC.
Room 37, entrance 7, bld. 7, Kievskaya street,
Moscow, 121059, Russia
Tel: +7-495-626-5005

OTHER EUROPEAN COUNTRIES

Yamaha Music Europe GmbH
Siemensstrasse 22-34, 25462 Rellingen, Germany
Tel: +49-4101-3030

AFRICA

Yamaha Music Gulf FZE
JAFZA-16, Office 512, P.O.Box 17328,
Jebel Ali FZE, Dubai, UAE
Tel: +971-4-801-1500

MIDDLE EAST

TURKEY

**Yamaha Music Europe GmbH
Merkezi Almanya Türkiye İstanbul Şubesi**
Mor Sumbul Sokak Varyap Meridian Business
1.Blok No:1 113-114-115
Bati Atasehir Istanbul, Turkey
Tel: +90-216-275-7960

OTHER COUNTRIES

Yamaha Music Gulf FZE
JAFZA-16, Office 512, P.O.Box 17328,
Jebel Ali FZE, Dubai, UAE
Tel: +971-4-801-1500

ASIA

THE PEOPLE'S REPUBLIC OF CHINA

Yamaha Music & Electronics (China) Co.,Ltd.
2F, Yunhedasha, 1818 Xinzha-lu, Jingan-qu,
Shanghai, China
Tel: +86-400-051-7700

INDIA

Yamaha Music India Private Limited
P-401, JMD Megapolis, Sector-48, Sohna Road,
Gurgaon-122018, Haryana, India
Tel: +91-124-485-3300

INDONESIA

PT. Yamaha Musik Indonesia (Distributor)
Yamaha Music Center Bldg. Jalan Jend. Gatot
Subroto Kav. 4, Jakarta 12930, Indonesia
Tel: +62-21-520-2577

KOREA

Yamaha Music Korea Ltd.
11F, Prudential Tower, 298, Gangnam-daero,
Gangnam-gu, Seoul, 06253, Korea
Tel: +82-2-3467-3300

MALAYSIA

Yamaha Music (Malaysia) Sdn. Bhd.
No.8, Jalan Perbandaran, Kelana Jaya, 47301
Petaling Jaya, Selangor, Malaysia
Tel: +60-3-78030900

SINGAPORE

Yamaha Music (Asia) Private Limited
Block 202 Hougang Street 21, #02-00,
Singapore 530202, Singapore
Tel: +65-6740-9200

TAIWAN

Yamaha Music & Electronics Taiwan Co.,Ltd.
2F., No.1, Yuandong Rd., Banqiao Dist.,
New Taipei City 22063, Taiwan (R.O.C.)
Tel: +886-2-7741-8888

THAILAND

Siam Music Yamaha Co., Ltd.
3, 4, 15, 16th Fl., Siam Motors Building,
891/1 Rama 1 Road, Wangmai,
Pathumwan, Bangkok 10330, Thailand
Tel: +66-2215-2622

VIETNAM

Yamaha Music Vietnam Company Limited
15th Floor, Nam A Bank Tower, 201-203 Cach
Mang Thang Tam St., Ward 4, Dist.3,
Ho Chi Minh City, Vietnam
Tel: +84-8-3818-1122

OTHER ASIAN COUNTRIES

<http://asia.yamaha.com/>

OCEANIA

AUSTRALIA

Yamaha Music Australia Pty. Ltd.
Level 1, 80 Market Street, South Melbourne,
VIC 3205, Australia
Tel: +61-3-9693-5111

COUNTRIES AND TRUST TERRITORIES IN PACIFIC OCEAN

<http://asia.yamaha.com/>