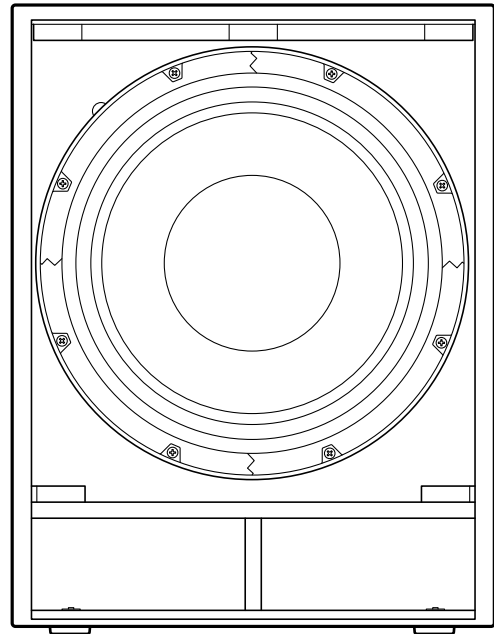
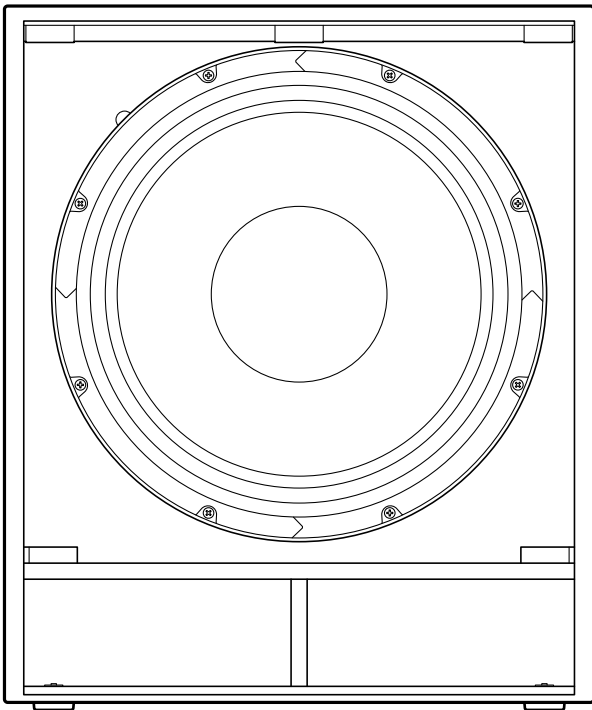


SUBWOOFER

CXS18xLF

CXS15xLF



- EN** Owner's Manual
- DE** Bedienungsanleitung
- FR** Mode d'emploi
- ES** Manual de instrucciones
- PT** Manual do Proprietário
- IT** Manuale di istruzioni
- RU** Руководство пользователя
- JA** 取扱説明書

PRECAUTIONS

PLEASE READ CAREFULLY BEFORE PROCEEDING

Please keep this manual in a safe place for future reference.



WARNING

Always follow the basic precautions listed below to avoid the possibility of serious injury or even death from electrical shock, short-circuiting, damages, fire or other hazards. These precautions include, but are not limited to, the following:

If you notice any abnormality

- If any of the following problems occur, immediately turn off the power of the amplifier.
 - Unusual smells or smoke are emitted.
 - Some object, or water has been dropped into the product.
 - There is a sudden loss of sound during use of the product.
 - Cracks or other visible damage appear on the product.
 Then have the product inspected or repaired by qualified Yamaha service personnel.

Do not open

- This product contains no user-serviceable parts. Do not attempt to disassemble the internal parts or modify them in any way.

Water warning/Fire warning

- Do not expose the product to rain, use it near water or in damp or wet conditions, or place on it any containers (such as vases, bottles or glasses) containing liquids which might spill into any openings.
- Do not place any burning items or open flames near the product, since they may cause a fire.

Hearing loss

- When turning on the AC power in your audio system, always turn on the power amplifier LAST, to avoid hearing loss and speaker damage. When turning the power off, the power amplifier should be turned off FIRST for the same reason.



CAUTION

Always follow the basic precautions listed below to avoid the possibility of physical injury to you or others, or damage to the product or other property. These precautions include, but are not limited to, the following:

Location and connection

- Do not place the product in an unstable position where it might accidentally fall over and cause injuries.
- Keep the device out of reach of children. This product is not suitable for use in locations where children are likely to be present.
- Do not place the product in a location where it may come into contact with corrosive gases or salt air. Doing so may result in malfunction.
- Before moving the product, remove all connected cables.
- When transporting or moving the product, always use two or more people. Attempting to lift the product by yourself may damage your back, result in other injury, or cause damage to the product itself.
- Do not use the speaker's handles for suspended installation. Doing so can result in damage or injury.
- Do not hold the bottom of the product when transporting or moving it. In doing so, you may pinch your hands under the product, and result in injury.
- Do not press the rear panel of the product against the wall. Doing so may cause the plug to come in contact with the wall and detach from the cable, resulting in short circuiting, malfunction, or even fire.
- If you use the pole socket for mounting a satellite speaker using a speaker pole, carefully read the section "① Dual pole sockets" on page 6. Use of any other size pole may cause the product to fall, and result in injury or damage to the internal components.
- Use only speaker cables. Use of other types of cables may result in fire.

Handling caution

- Do not insert your fingers or hands in any gaps or openings on the product (ports, etc.).
- When choosing a power amplifier for use with this product, make sure that the output power of the amplifier is lower than the power capacity of this product. If the output power is higher than the power capacity, malfunction or fire may occur.
- Do not input excessively loud signals that may result in clipping in the amplifier or cause the following:
 - Feedback, when using a microphone
 - Continuous and extremely loud sound from a musical instrument, etc.
 - Continuous and excessively loud distorted sound
 - Noise caused by plugging/unplugging the cable while the amplifier is turned on
 Even if the output power of the amplifier is lower than the power capacity of this product (program), damage to the product, malfunction or fire may occur.
- Do not operate the product if the sound is distorting. Prolonged use in this condition could cause overheating and result in fire.

Yamaha cannot be held responsible for damage caused by improper use or modifications to the product.

NOTICE

To avoid the possibility of malfunction/damage to the product, or damage to other property, follow the notices below.

■ Handling and maintenance

- Do not expose the product to excessive dust or vibration, or extreme cold or heat (such as in direct sunlight, near a heater, or in a car during the day), in order to prevent the possibility of panel disfiguration, unstable operation, or damage to the internal components.
- Do not place the speaker face down with the grille attached, as deformation of the grille may result.
- When placing the speaker face down, always place it on a flat surface.
- Do not touch the speaker driver unit.
- Be sure to observe the amplifier's rated load impedance (see page 7), particularly when connecting speakers in parallel. Connecting an impedance load outside the amplifier's rated range can damage the amplifier.
- Protection Circuit
This speaker system has an internal protection circuit that shuts off the speaker unit when an excessive input signal is applied. If the speaker unit emits no sound, reduce the volume level of the amplifier immediately. The sound will return automatically in several seconds.
- Air blowing out of the bass reflex ports is normal, and often occurs when the speaker is handling program material with heavy bass content.
- During extreme changes in temperature or humidity, condensation may occur and water may collect on the surface of the product. If water is left, the wooden parts may absorb the water and be damaged. Make sure to wipe any water off immediately with a soft cloth.

■ Connectors

- Use only Neutrik NL4 plugs for connecting speakON connectors.

Information

■ About this manual

- The illustrations as shown in this manual are for instructional purposes only.
- The company names and product names in this manual are the trademarks or registered trademarks of their respective companies.

■ About disposal

- This product contains recyclable components. When disposing of this product, please contact the appropriate local authorities.

Information for users on collection and disposal of old equipment:



This symbol on the products, packaging, and/or accompanying documents means that used electrical and electronic products should not be mixed with general household waste. For proper treatment, recovery and recycling of old products, please take them to applicable collection points, in accordance with your national legislation.

By disposing of these products correctly, you will help to save valuable resources and prevent any potential negative effects on human health and the environment which could otherwise arise from inappropriate waste handling.

For more information about collection and recycling of old products, please contact your local municipality, your waste disposal service or the point of sale where you purchased the items.

For business users in the European Union:

If you wish to discard electrical and electronic equipment, please contact your dealer or supplier for further information.

Information on Disposal in other Countries outside the European Union:

This symbol is only valid in the European Union. If you wish to discard these items, please contact your local authorities or dealer and ask for the correct method of disposal.

(weee_eu_en_02)

Introduction

Thank you for purchasing the Yamaha CXS18XLF, CXS15XLF SUBWOOFER (hereinafter referred to as “CXS”). This product is a speaker designed for live performance, sound reinforcement and fixed installation sound system applications. This manual explains how to install, set up, and configure the connections for the installers, constructors, or general users familiar with speakers. Please read this manual thoroughly before you begin using this product to get the most out of the product. After reading this manual, please keep it available for future reference.

- The example illustrations used in this manual are taken from the CXS18XLF, if not otherwise specified.

Contents

PRECAUTIONS	2	Connection	7
Introduction	5	Selection and Settings of Processors and Amplifiers	8
Main Features	5	Basic Setting Example	8
Included Accessories	5	Cardioid Mode Setup	9
Optional Accessories (sold separately)	5	Troubleshooting	9
Functions	6	Specifications (English only)	68

Main Features

- The CXS series has two different models, depending on the woofer size: the CXS18XLF (18-inch) and the CXS15XLF (15-inch).
- The unit features an aluminum die-cast frame and a large 4-inch voice coil for high durability in audio reproduction. Double dampers and a straight cone are used for large amplitude and sound pressure.
- The enclosure features reinforcement ribs to suppress resonance and a flared bass reflex port to reduce wind noise, to easily and accurately reproduce ultra low bass even at high sound pressure output.
- The specially designed enclosure features lightweight and strong plywood with a scratch-resistant rigid polyurea coating for improved portability and durability.
- Convenient functions include dual pole sockets that accommodate 35 mm diameter poles and M20 screws, and a speakON output jack to simplify cabling.
- An optional set of quiet wheels (SPW-1) is sold separately.

Included Accessories

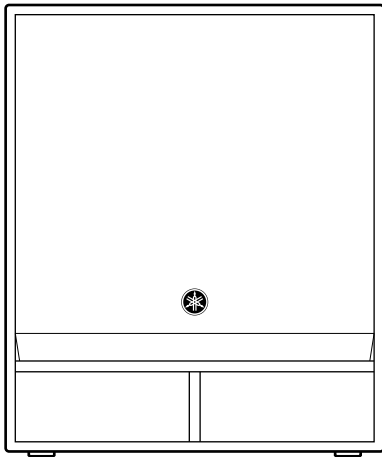
Owner's Manual (this book)

Optional Accessories (sold separately)

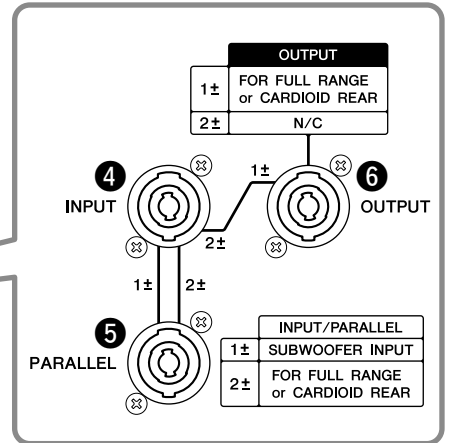
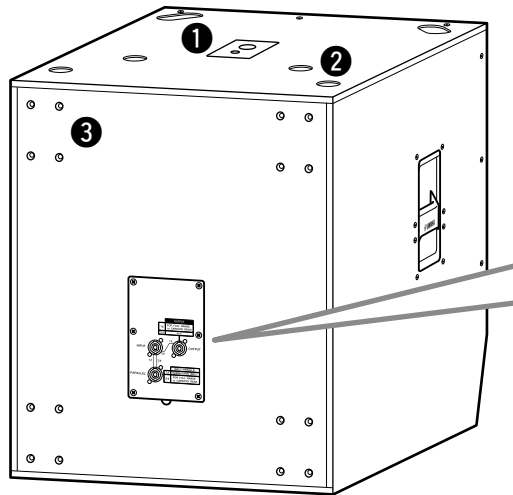
	Wheels	Speaker cover (SPCVR series)
CXS18XLF	SPW-1	SPCVR-DXS18X
CXS15XLF		SPCVR-DXS15X

Functions

Front

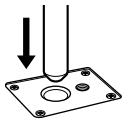


Rear

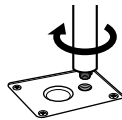


1 Dual pole sockets

Compatible with commercially available speaker poles of 35 mm diameter and M20 screws.



35 mm diameter



M20 screw

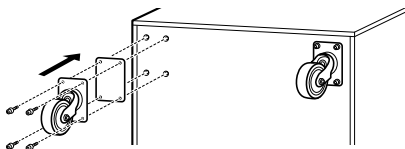
If you use the pole socket for mounting of a satellite speaker, observe the conditions below for your safety.

Subwoofer	Speakers to be mounted	Pole length
CXS18XLF	Weight: 26 kg or less Height: 76.0 cm or less (CZR15 or smaller)	104 cm or less
CXS15XLF	Weight: 22 kg or less Height: 64.5 cm or less (CZR12 or smaller)	82 cm or less
	Weight: 18 kg or less Height: 53.7 cm or less (CZR10 or smaller)	104 cm or less

2 Feet cups

When stacking multiple speakers, align the rubber feet of the upper speaker to the feet cups of the lower one.

3 Wheel mounting screws



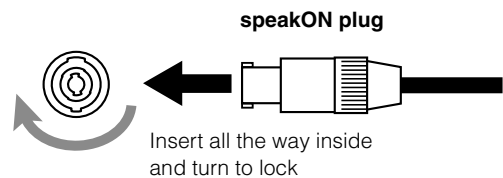
For installing the optionally available Yamaha SPW-1 wheels. To install the wheels, use these screws after removing them from the unit. Do not use the CXS once the screws are removed. This causes air leaks to occur in the enclosure, resulting in undesirable performance.

NOTE

- For details on installing the wheels or special precautions you should take, please refer to the corresponding manual for the wheels.
- Do not install any wheels other than the SPW-1.

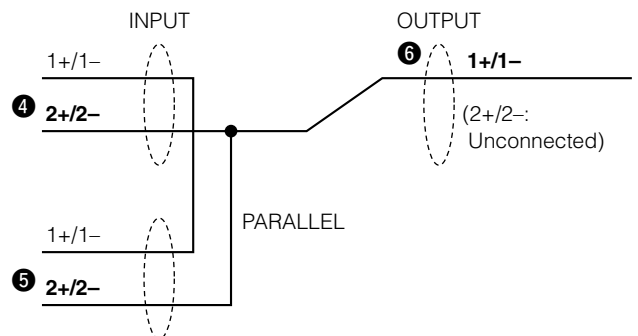
4 5 [INPUT/PARALLEL] jacks

These are speakON jacks (Neutrik NL4). Either 4 or 5 can be connected since they are connected in parallel inside. The speaker unit is connected to the 1+/1- contacts of the [INPUT/PARALLEL] jacks.



6 [OUTPUT] jack

This speakON jack is for use with a full-range speaker through CXS, or when using CXS in the cardioid mode. This jack receives the signals via 2+/2- of 4 or 5 and routes them to 1+/1- for output.

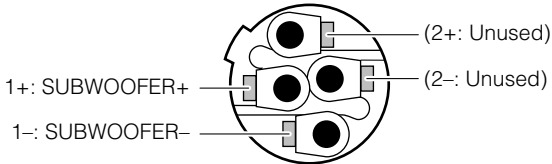


Connection

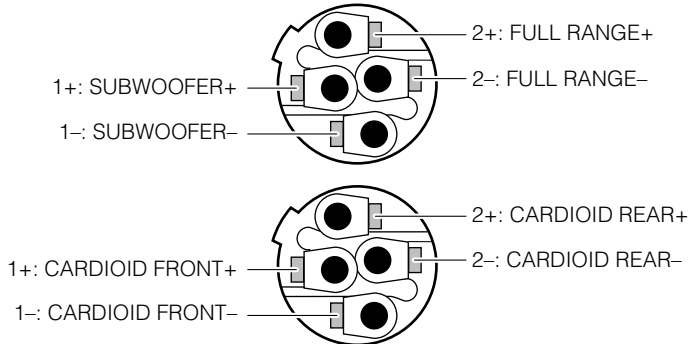
Wiring

Wire the plugs as shown below. Use cables specially designed for speakers. When using only the CXS itself, wiring to the 2+ and 2- contacts is unnecessary. When the signal to a full-range speaker, or the signal for cardioid mode are sent together over a single cable using the [OUTPUT] jack, make sure to also wire to the 2+ and 2- contacts. (See “Basic Setting Example” on page 8, and “Cardioid Mode Setup” on page 9.)

When using only the CXS itself.



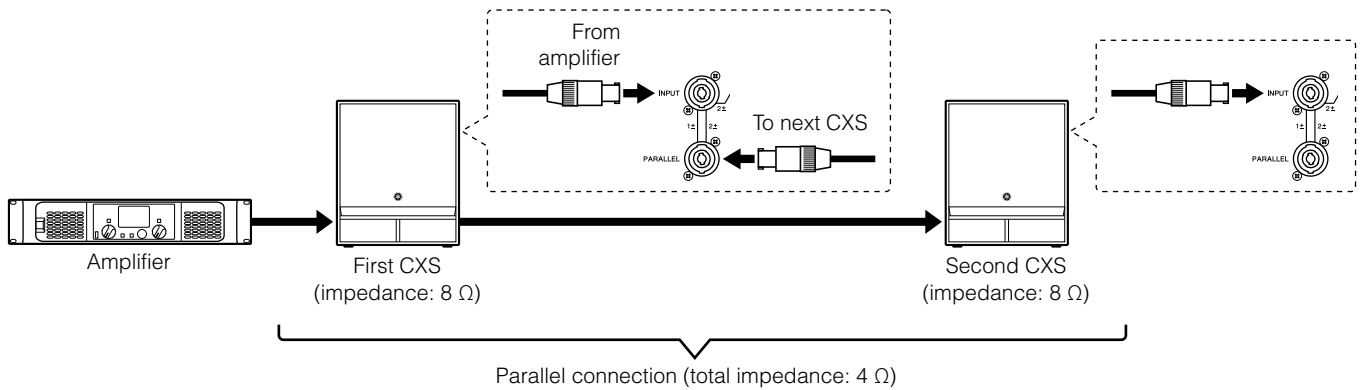
When using the [OUTPUT] jack.



Parallel Connection of Speakers

[INPUT/PARALLEL] jacks are connected inside in parallel. The first CXS can receive the signal from a power amplifier (hereinafter, “amplifier”) by one of the [INPUT/PARALLEL] jacks, and route the signal to the second CXS from the rest of [INPUT/PARALLEL] jacks.

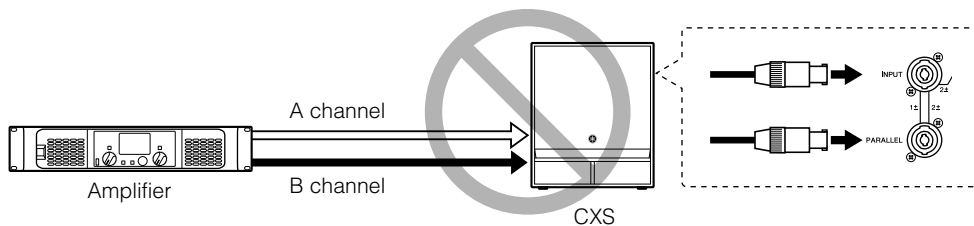
When connecting CXS units in parallel, be sure to check the load impedance that the amplifier can drive with. The nominal impedance of one CXS is eight ohms, and the total impedance of two parallel CXS units is four ohms. In this case, the amplifier must be able to drive a speaker less than four ohm load impedance.



Invalid connection

NOTICE

NEVER connect the multiple signals from the amplifier to the [INPUT/PARALLEL] jacks simultaneously. This creates a very dangerous short circuit, possibly resulting in amplifier malfunction.



Selection and Settings of Processors and Amplifiers

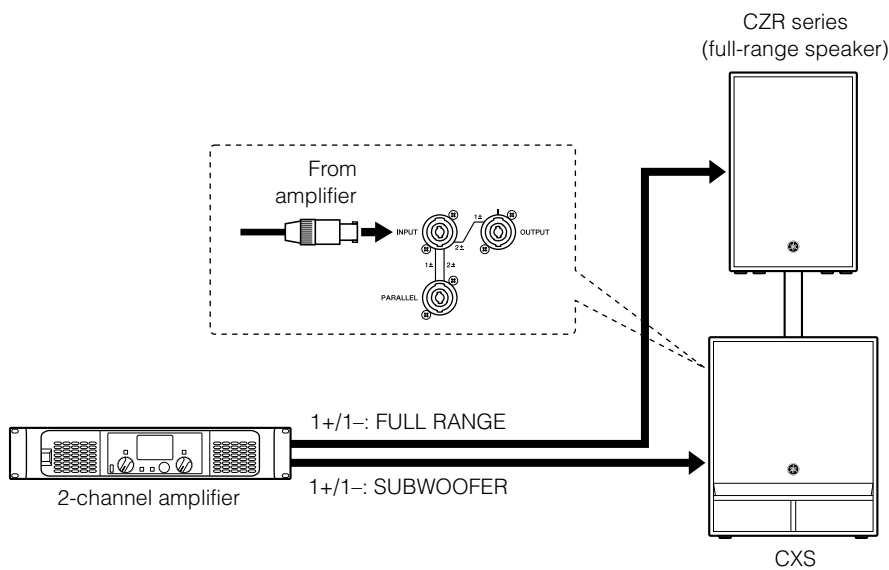
In order to take full advantage of the CXS performance, make sure to adjust the cut-off and equalizer (EQ) using a processor/DSP built-in amplifier.

When selecting an amplifier, the amplifier should have a similar program (PGM) wattage rating to the speaker. For example, since the PGM rating of the CXS18XLF is 1000 W, an amplifier of 800 W to 1250 W (0.8 to 1.25 times that of 1000 W) should be selected. However, when a speaker can be protected properly by a limiter, amplifiers with more power can be used together.

Visit the CXS product page of the Yamaha Pro Audio global website for details on the recommended models of processors and amplifiers, and EQ settings.

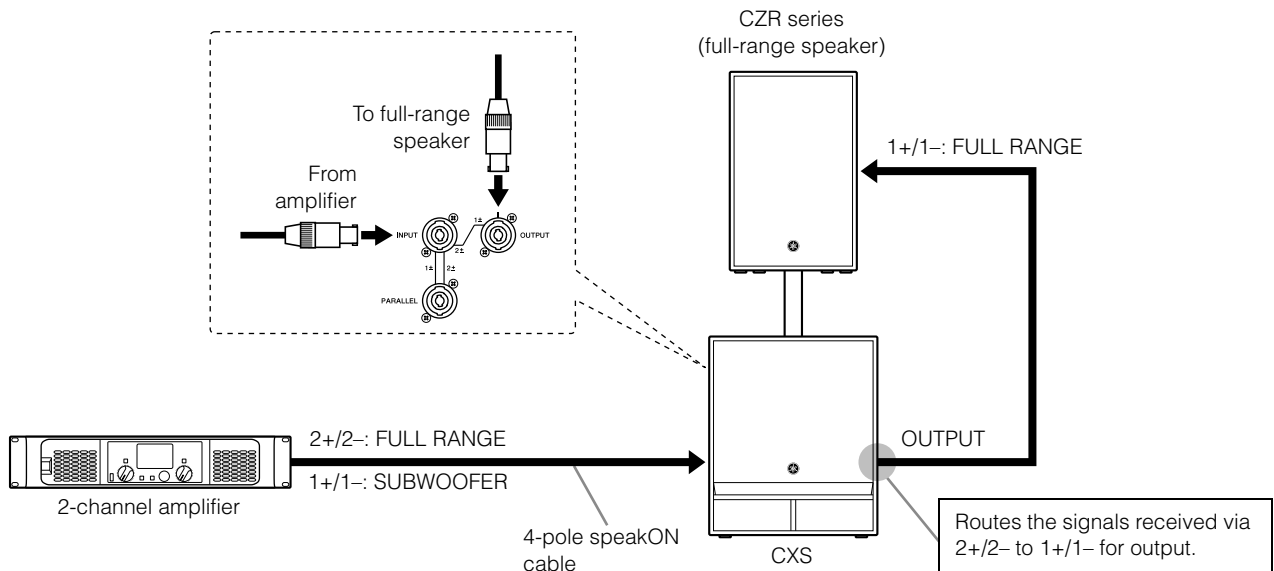
Basic Setting Example

- This system is connected by two independent cables from a 2-channel amplifier to a CXS and a full-range speaker.



- This system is connected by a single cable from the outputs of a 2-channel amplifier, using the [OUTPUT] jack.

The [OUTPUT] jack of the CXS receives the signals via 2+/2- of the [INPUT/PARALELL] jack and routes them to 1+/1- for output. Using the [OUTPUT] jack of the CXS along with a 4-pole speakON cable, you can connect an amplifier to the CXS with a single cable.

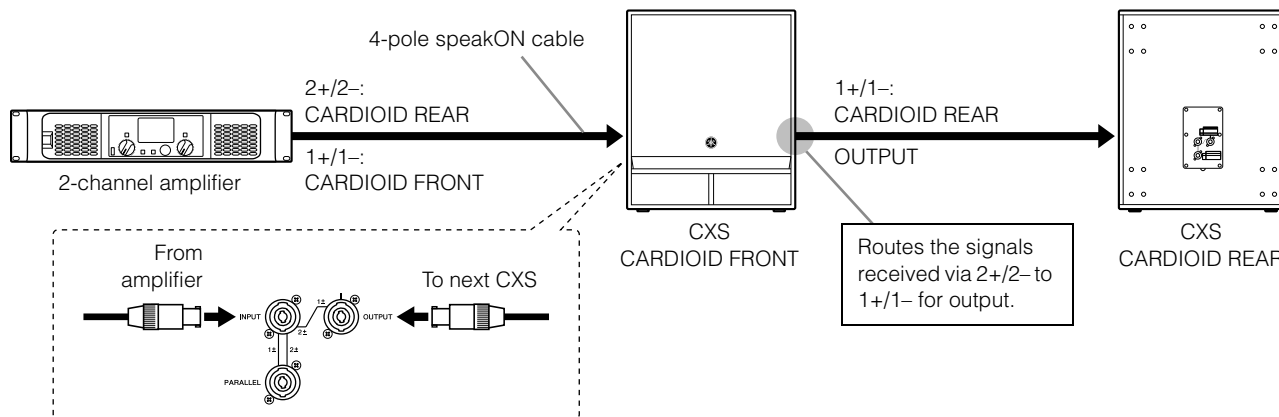


Cardioid Mode Setup

Because directivity in the low frequency range is weak, the output sound from the subwoofer diffracts not only toward the audience but also to the stage with almost the same sound pressure. By using the Cardioid mode, bass to the audience is summed up and bass to the stage is canceled. This suppresses the bass volume on the stage, providing greater headroom before feedback, and resulting in more powerful bass for the audience.

In order to setup the Cardioid mode, you should process the signals correctly using a processor. Also, the signals from an amplifier to both FRONT and REAR are required. Visit the CXS product page of the Yamaha Pro Audio global website for details on the setting information of the processors for the CXS.

Using the [OUTPUT] jack along with a 4-pole speakON cable, you can connect the FRONT signal and REAR signal from a 2-channel amplifier with a single cable.



Troubleshooting

Symptom	Possible causes	Possible solution
No sound.	The cable is not connected properly.	Connect the speakON cable to the [INPUT/PARALLEL] jack correctly. Make sure to connect the amplifier outputs to the 1+/1- contacts of the speakON cable.
Sound is interrupted suddenly.	The built-in protection system has been enabled because the input volume is excessive.	To reset (cool down) the protection system, lower the volume of the input device, or stop the input. Wait for 30 seconds or longer. If the unit doesn't automatically reset itself, there is a possibility of malfunction of the speaker unit.
	The speaker unit is damaged.	If no sound although the connection and signal level are appropriate, there is a possibility of malfunction of the speaker unit. Contact your Yamaha dealer.
The amplifier shuts down.	When connecting the speakers in parallel, the total impedance of the speakers is less than the minimum load impedance of the amplifier. (For example, when more than three eight-ohm speakers are connected in parallel to an amplifier having a minimum load impedance of four ohms.)	Lower the number of speakers connected in parallel, or use the amplifier which can drive with the total impedance of the speakers, in order to not be less than the minimum load impedance of the amplifier.
	The protection system of the amplifier has been enabled because the input volume is excessive.	Wait until the amplifier cools down. Before using it again, lower the input volume.
Sound is distorted.	Input volume is excessive.	Lower the volume of the input device so that the limit indicator of the amplifier lights only occasionally.

If any specific problem should persist, please contact your Yamaha dealer.

Specifications

General Specifications

		CXS18XLF	CXS15XLF
System Type		Subwoofer, Bass-reflex	
Frequency Range (-10 dB)	Passive	32 Hz – 3 kHz	33 Hz – 3.5 kHz
	Normal *1	32 Hz – 150 Hz	35 Hz – 150 Hz
	Extend *1	29 Hz – 150 Hz	33 Hz – 150 Hz
Nominal Impedance		8 Ω	8 Ω
Power Rating (EIA 426-A)	NOISE	500 W	400 W
	PGM	1000 W	800 W
	MAX	2000 W	1600 W
Sensitivity (1 W, 1 m) ²		100 dB SPL	98 dB SPL
Maximum SPL (Calculated, 1 m) ²		133 dB SPL	130 dB SPL
Transducer	LF	18" Cone, 4" Voice coil, Ferrite magnet	15" Cone, 4" Voice coil, Ferrite magnet
Enclosure Material, Finish, Color		Plywood, Durable polyurea coating, Black	
Dimensions (W × H × D, with rubber feet)		550 × 657 × 720 mm	450 × 587 × 600 mm
Net Weight		43.6 kg	35.6 kg
Handles		Aluminium die-cast, Side × 2	
Pole Socket		Ø35 mm (Depth 80 mm), M20 (Threaded depth 25 mm)	
Connectors		speakON NL4MP × 3 (Parallel × 2, Output × 1)	
Optional Wheel		SPW-1	
Optional Cover		SPCVR-DXS18X	SPCVR-DXS15X

*1: With recommended DSP processing.

*2: Half-space (2π)

The contents of this manual apply to the latest specifications as of the publishing date. To obtain the latest manual, access the Yamaha website then download the manual file.

Der Inhalt dieser Bedienungsanleitung gilt für die neuesten technischen Daten zum Zeitpunkt der Veröffentlichung. Um die neueste Version der Anleitung zu erhalten, rufen Sie die Website von Yamaha auf und laden Sie dann die Datei mit der Bedienungsanleitung herunter.

Le contenu de ce mode d'emploi s'applique aux dernières caractéristiques techniques connues à la date de publication du manuel. Pour obtenir la version la plus récente du manuel, accédez au site Web de Yamaha puis téléchargez le fichier du manuel concerné.

El contenido de este manual se aplica a las últimas especificaciones según la fecha de publicación. Para obtener el último manual, acceda al sitio web de Yamaha y descargue el archivo del manual.

O conteúdo deste manual se aplica às especificações mais recentes a partir da data de publicação. Para obter o manual mais recente, acesse o site da Yamaha e faça o download do arquivo do manual.

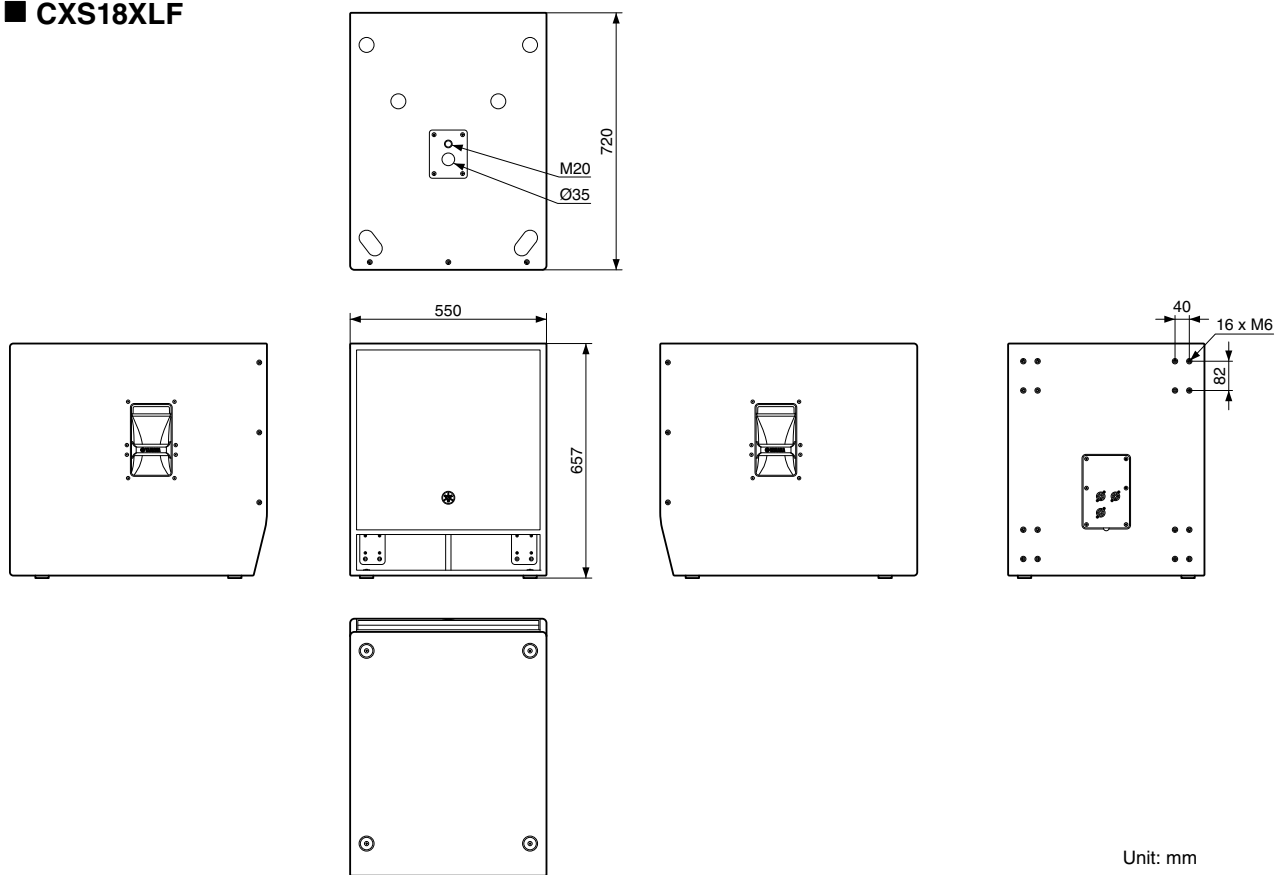
Il contenuto del presente manuale si applica alle ultime specifiche tecniche a partire dalla data di pubblicazione. Per ottenere la versione più recente del manuale, accedere al sito Web Yamaha e scaricare il file corrispondente.

В содержании данного руководства приведены последние на момент публикации технические характеристики. Для получения последней версии руководства посетите веб-сайт корпорации Yamaha и загрузите файл с руководством.

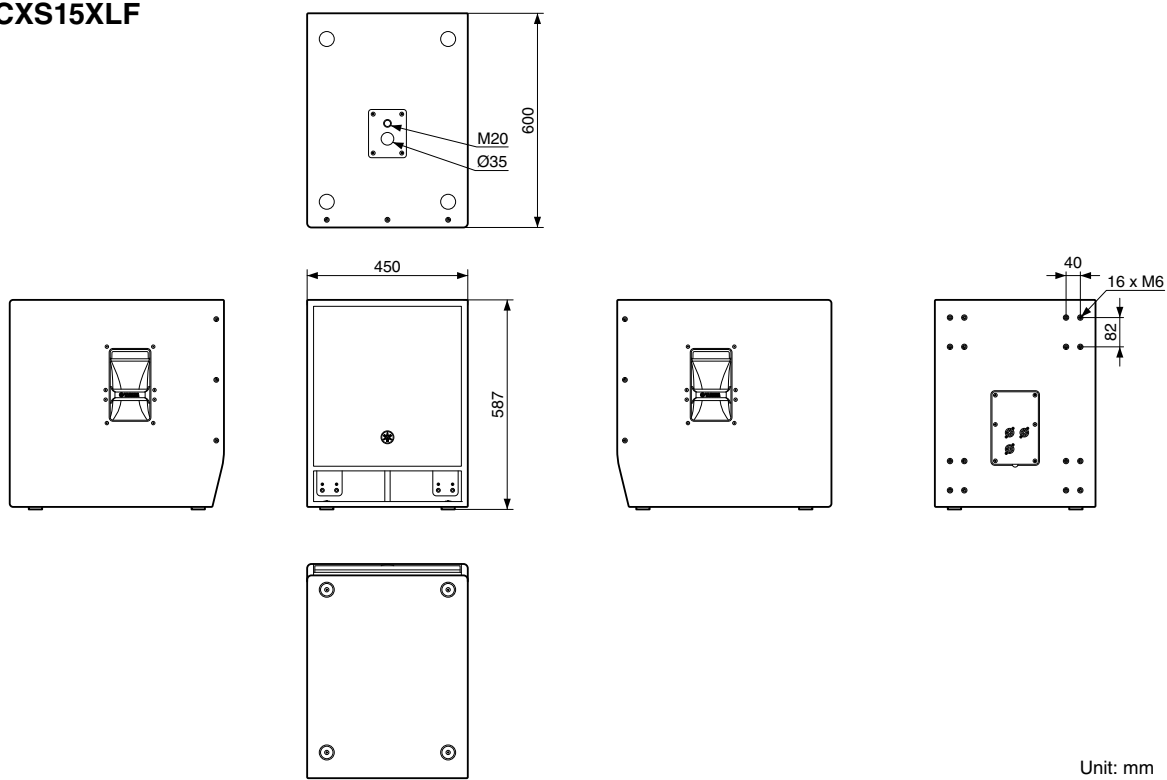
本書は、発行時点での最新仕様で説明しています。最新版は、ヤマハウェブサイトからダウンロードできます。

Dimensions

■ CXS18XLF



■ CXS15XLF



English

Deutsch

Français

Español

Português

Italiano

Русский

日本語

Important Notice: Guarantee Information for customers in European Economic Area (EEA) and Switzerland

<p>Important Notice: Guarantee Information for customers in EEA* and Switzerland</p> <p>For detailed guarantee information about this Yamaha product, and Pan-EEA* and Switzerland warranty service, please either visit the website address below (Printable file is available at our website) or contact the Yamaha representative office for your country. * EEA: European Economic Area</p>	English
<p>Wichtiger Hinweis: Garantie-Information für Kunden in der EWR* und der Schweiz</p> <p>Für nähere Garantie-Information über dieses Produkt von Yamaha, sowie über den Pan-EWR*- und Schweizer Garantieservice, besuchen Sie bitte entweder die folgend angegebene Internetadresse (eine druckfähige Version befindet sich auch auf unserer Webseite), oder wenden Sie sich an den für Ihr Land zuständigen Yamaha-Vertrieb. *EWR: Europäischer Wirtschaftsraum</p>	Deutsch
<p>Remarque importante: informations de garantie pour les clients de l'EEE et la Suisse</p> <p>Pour des informations plus détaillées sur la garantie de ce produit Yamaha et sur le service de garantie applicable dans l'ensemble de l'EEE ainsi qu'en Suisse, consultez notre site Web à l'adresse ci-dessous (le fichier imprimable est disponible sur notre site Web) ou contactez directement Yamaha dans votre pays de résidence. * EEE : Espace Economique Européen</p>	Français
<p>Belangrijke mededeling: Garantie-informatie voor klanten in de EER* en Zwitserland</p> <p>Voor gedetailleerde garantie-informatie over dit Yamaha-product en de garantieservice in heel de EER* en Zwitserland, gaat u naar de onderstaande website (u vindt een afdrukbaar bestand op onze website) of neemt u contact op met de vertegenwoordiging van Yamaha in uw land. * EER: Europese Economische Ruimte</p>	Nederlands
<p>Aviso importante: información sobre la garantía para los clientes del EEE* y Suiza</p> <p>Para una información detallada sobre este producto Yamaha y sobre el soporte de garantía en la zona EEE* y Suiza, visite la dirección web que se incluye más abajo (la versión del archivo para imprimir está disponible en nuestro sitio web) o póngase en contacto con el representante de Yamaha en su país. * EEE: Espacio Económico Europeo</p>	Español
<p>Avviso importante: informazioni sulla garanzia per i clienti residenti nell'EEA* e in Svizzera</p> <p>Per informazioni dettagliate sulla garanzia relativa a questo prodotto Yamaha e l'assistenza in garanzia nei paesi EEA* e in Svizzera, potete consultare il sito Web all'indirizzo riportato di seguito (è disponibile il file in formato stampabile) oppure contattare l'ufficio di rappresentanza locale della Yamaha. * EEA: Area Economica Europea</p>	Italiano
<p>Aviso importante: informações sobre as garantias para clientes da AEE* e da Suíça</p> <p>Para obter uma informação pormenorizada sobre este produto da Yamaha e sobre o serviço de garantia na AEE* e na Suíça, visite o site a seguir (o arquivo para impressão está disponível no nosso site) ou entre em contato com o escritório de representação da Yamaha no seu país. * AEE: Área Económica Européia</p>	Português
<p>Σημαντική σημείωση: Πληροφορίες εγγύησης για τους πελάτες στον ΕΟΧ* και Ελλάδα</p> <p>Για λεπτομερείς πληροφορίες εγγύησης σχετικά με το παρόν προϊόν της Yamaha και την κάλυψη εγγύησης σε όλες τις χώρες του ΕΟΧ και την Ελλάδα, επισκεφτείτε την παρακάτω ιστοσελίδα (Εκτυπώσιμη μορφή είναι διαθέσιμη στην ιστοσελίδα μας) ή απευθυνθείτε στην αντιπροσωπεία της Yamaha στη χώρα σας. * ΕΟΧ: Ευρωπαϊκός Οικονομικός Χώρος</p>	Ελληνικά
<p>Viktigt: Garantiinformation för kunder i EES-området* och Schweiz</p> <p>För detaljerad information om denna Yamahaprodukt samt garantiservice i hela EES-området* och Schweiz kan du antingen besöka nedanstående webbadress (en utskriftsvänlig fil finns på webbplatsen) eller kontakta Yamahas officiella representant i ditt land. * EES: Europeiska Ekonomiska Samarbetsområdet</p>	Svenska
<p>Viktig merknad: Garantiinformasjon for kunder i EØS* og Sveits</p> <p>Detaljert garantiinformasjon om dette Yamaha-produktet og garantiservice for hele EØS-området* og Sveits kan fås enten ved å besøke nettstedene nedenfor (utskriftsversjon finnes på våre nettsider) eller kontakte Yamahas kontoret i landet der du bor. *EØS: Det europeiske økonomiske samarbeidsområdet</p>	Norsk
<p>Vigtig oplysning: Garantioplysninger til kunder i EØO* og Schweiz</p> <p>De kan finde detaljerede garantioplysninger om dette Yamaha-produkt og den fælles garantiserviceordning for EØO* (og Schweiz) ved at besøge det websted, der er angivet nedenfor (der findes en fil, som kan udskrives, på vores websted), eller ved at kontakte Yamahas nationale repræsentationskontor i det land, hvor De bor. * EØO: Det Europæiske Økonomiske Område</p>	Dansk
<p>Tärkeä ilmoitus: Takuutiedot Euroopan talousalueen (ETA)* ja Sveitsin asiakkaille</p> <p>Tämän Yamaha-tuotteen sekä ETA-alueen ja Sveitsin takuuta koskevat yksityiskohtaiset tiedot saatte alla olevasta nettiosoitteesta. (Tulostettava tiedosto saatavissa sivustollamme.) Voitte myös ottaa yhteyttä paikalliseen Yamaha-edustajaan. *ETA: Euroopan talousalue</p>	Suomi
<p>Ważne: Warunki gwarancyjne obowiązujące w EOG* i Szwajcarii</p> <p>Aby dowiedzieć się więcej na temat warunków gwarancyjnych tego produktu firmy Yamaha i serwisu gwarancyjnego w całym EOG* i Szwajcarii, należy odwiedzić wskazaną poniżej stronę internetową (Plik gotowy do wydruku znajduje się na naszej stronie internetowej) lub skontaktować się z przedstawicielstwem firmy Yamaha w swoim kraju. * EOG — Europejski Obszar Gospodarczy</p>	Polski
<p>Důležité oznámení: Záruční informace pro zákazníky v EHS* a ve Švýcarsku</p> <p>Podrobné záruční informace o tomto produktu Yamaha a záručním servisu v celém EHS* a ve Švýcarsku naleznete na níže uvedené webové adrese (soubor k tisku je dostupný na našich webových stránkách) nebo se můžete obrátit na zástupce firmy Yamaha ve své zemi. * EHS: Evropský hospodářský prostor</p>	Česky
<p>Fontos figyelemzetés: Garancia-információk az EGT* területén és Svájcban élő vásárlók számára</p> <p>A jelen Yamaha termékre vonatkozó részletes garancia-információk, valamint az EGT*-re és Svájcra kiterjedő garanciális szolgáltatás tekintetében keresse fel webhelyünket az alábbi címen (a webhelyen nyomtatható fájl is talál), vagy pedig lépjen kapcsolatba az országában működő Yamaha képviselői irodával. * EGT: Európai Gazdasági Térség</p>	Magyar
<p>Oluline märkus: Garantiiteave Euroopa Majanduspiirkonna (EMP)* ja Šveitsi klientidele</p> <p>Täpsema teabe saamiseks selle Yamaha toote garantii ning kogu Euroopa Majanduspiirkonna ja Šveitsi garantiiteeniduse kohta, külastage palun veebisaiti alljärgneval aadressil (meie saidil on saadaval printitav fail) või pöörduge Teie regiooni Yamaha esinduse poole. * EMP: Euroopa Majanduspiirkond</p>	Eesti keel
<p>Svarīgs paziņojums: garantijas informācija klientiem EEZ* un Šveicē</p> <p>Lai saņemtu detalizētu garantijas informāciju par šo Yamaha produktu, kā arī garantijas apkalpošanu EEZ* un Šveicē, lūdz, apmeklējiet zemāk norādīto tīmekļa vietnes adresi (tīmekļa vietnē ir pieejams drukājams fails) vai sazinieties ar Jūsu valsti apkalpojošo Yamaha pārstāvniecību. * EEZ: Eiropas Ekonomikas zona</p>	Latviešu
<p>Dėmesio: informacija dėl garantijos pirkėjams EEE* ir Šveicarijoje</p> <p>Jei reikia išsamios informacijos apie šį „Yamaha“ produktą ir jo techninę priežiūrą visoje EEE* ir Šveicarijoje, apsilankykite mūsų svetainėje toliau nurodytu adresu (svetainėje yra spausdintinas failas) arba kreipkitės į „Yamaha“ atstovybę savo šaliai. *EEE – Europos ekonominė erdvė</p>	Lietuvių kalba
<p>Dôležité upozornenie: Informácie o záruke pre zákazníkov v EHP* a Švajčiarsku</p> <p>Podrobné informácie o záruke týkajúce sa tohto produktu od spoločnosti Yamaha a garančnom servise v EHP* a Švajčiarsku nájdete na webovej stránke uvedenej nižšie (na našej webovej stránke je k dispozícii súbor na tlač) alebo sa obráťte na zástupcu spoločnosti Yamaha vo svojej krajine. * EHP: Európsky hospodársky priestor</p>	Slovenčina
<p>Pomembno obvestilo: Informacije o garanciji za kupce v EGP* in Švici</p> <p>Podrobnejše informacije o tem Yamahinem izdelku ter garancijskem servisu v celotnem EGP in Švici, obiščite spletno mesto, ki je navedeno spodaj (natisljiva datoteka je na voljo na našem spletnem mestu), ali se obrnite na Yamahinega predstavnika v svoji državi. * EGP: Evropski gospodarski prostor</p>	Slovenščina
<p>Важно съобщение: Информация за гаранцията за клиенти в ЕИП* и Швейцария</p> <p>За подробна информация за гаранцията за този продукт на Yamaha и гаранционното обслужване в паневропейската зона на ЕИП* и Швейцария или посетете посочения по-долу уеб сайт (на нашия уеб сайт има файл за печат), или се свържете с представителния офис на Yamaha във вашата страна. * ЕИП: Европейско икономическо пространство</p>	Български език
<p>Notificare importantă: Informații despre garanție pentru clienții din SEE* și Elveția</p> <p>Pentru informații detaliate privind acest produs Yamaha și serviciul de garanție Pan-SEE* și Elveția, vizitați site-ul la adresa de mai jos (fișierul imprimabil este disponibil pe site-ul nostru) sau contactați biroul reprezentanței Yamaha din țara dumneavoastră. * SEE: Spațiul Economic European</p>	Limba română

<http://europe.yamaha.com/warranty/>

URL_4

ADDRESS LIST

NORTH AMERICA

CANADA

Yamaha Canada Music Ltd.
135 Milner Avenue, Toronto, Ontario,
M1S 3R1, Canada
Tel: +1-416-298-1311

U.S.A.

Yamaha Corporation of America
6600 Orangethorpe Avenue, Buena Park, CA 90620,
U.S.A.
Tel: +1-714-522-9011

CENTRAL & SOUTH AMERICA

MEXICO

Yamaha de México, S.A. de C.V.
Av. Insurgentes Sur 1647 Piso 9, Col. San José
Insurgentes, Delegación Benito Juárez, México,
D.F., C.P. 03900, México
Tel: +52-55-5804-0600

BRAZIL

Yamaha Musical do Brasil Ltda.
Rua Fidêncio Ramos, 302 – Cj 52 e 54 – Torre B – Vila
Olimpia – CEP 04551-010 – São Paulo/SP, Brazil
Tel: +55-11-3704-1377

ARGENTINA

**Yamaha Music Latin America, S.A.,
Sucursal Argentina**
Olga Cossetini 1553, Piso 4 Norte,
Madero Este-C1107CEK,
Buenos Aires, Argentina
Tel: +54-11-4119-7000

PANAMA AND OTHER LATIN

AMERICAN COUNTRIES/ CARIBBEAN COUNTRIES

Yamaha Music Latin America, S.A.
Edif. Torre Banco General, Piso 7, Urbanización
Marbella, Calle 47 y Aquilino de la Guardia,
Ciudad de Panamá, República de Panamá
Tel: +507-269-5311

EUROPE

THE UNITED KINGDOM/IRELAND

Yamaha Music Europe GmbH (UK)
Sherbourne Drive, Tilbrook, Milton Keynes,
MK7 8BL, U.K.
Tel: +44-1908-366700

GERMANY

Yamaha Music Europe GmbH
Siemensstrasse 22-34, 25462 Rellingen, Germany
Tel: +49-4101-303-0

SWITZERLAND/LIECHTENSTEIN

**Yamaha Music Europe GmbH, Branch
Switzerland in Thalwil**
Seestrasse 18a, 8800 Thalwil, Switzerland
Tel: +41-44-3878080

AUSTRIA/BULGARIA/ CZECH REPUBLIC/HUNGARY/ ROMANIA/SLOVAKIA/SLOVENIA

**Yamaha Music Europe GmbH
Branch Austria**
Schleiergasse 20, 1100 Wien, Austria
Tel: +43-1-60203900

POLAND

**Yamaha Music Europe GmbH
Sp.z o.o. Oddział w Polsce**
ul. Wielicka 52, 02-657 Warszawa, Poland
Tel: +48-22-880-08-88

MALTA

Olimpus Music Ltd.
Valletta Road, Mosta MST9010, Malta
Tel: +356-2133-2093

NETHERLANDS/BELGIUM/ LUXEMBOURG

Yamaha Music Europe Branch Benelux
Clarissenhof 5b, 4133 AB Vianen, The Netherlands
Tel: +31-347-358040

FRANCE

Yamaha Music Europe
7 rue Ambroise Croizat, Zone d'activités de Pariest,
77183 Croissy-Beaubourg, France
Tel: +33-1-6461-4000

ITALY

Yamaha Music Europe GmbH, Branch Italy
Via Tinelli N.67/69 20855 Gerno di Lesmo (MB),
Italy
Tel: +39-039-9065-1

SPAIN/PORTUGAL

**Yamaha Music Europe GmbH Ibérica, Sucursal
en España**
Ctra. de la Coruña km. 17,200, 28231
Las Rozas de Madrid, Spain
Tel: +34-91-639-88-88

GREECE

Philippos Nakas S.A. The Music House
19th klm. Leof. Lavriou 190 02 Peania – Attiki,
Greece
Tel: +30-210-6686168

SWEDEN/FINLAND/ICELAND

**Yamaha Music Europe GmbH Germany filial
Scandinavia**
JA Wettergrensgata 1, 400 43 Göteborg, Sweden
Tel: +46-31-89-34-00

DENMARK

**Yamaha Music Denmark,
Filial of Yamaha Music Europe GmbH, Tyskland**
Generatorvej 8C, ST. TH. , 2860 Søborg, Denmark
Tel: +45-44-92-49-00

NORWAY

**Yamaha Music Europe GmbH Germany -
Norwegian Branch**
Grini Næringspark 1, 1332 Østerås, Norway
Tel: +47-6716-7800

CYPRUS

Yamaha Music Europe GmbH
Siemensstrasse 22-34, 25462 Rellingen, Germany
Tel: +49-4101-303-0

RUSSIA

Yamaha Music (Russia) LLC.
Room 37, entrance 7, bld. 7, Kievskaya street,
Moscow, 121059, Russia
Tel: +7-495-626-5005

OTHER EUROPEAN COUNTRIES

Yamaha Music Europe GmbH
Siemensstrasse 22-34, 25462 Rellingen, Germany
Tel: +49-4101-3030

AFRICA

Yamaha Music Gulf FZE
JAFZA-16, Office 512, P.O.Box 17328,
Jebel Ali FZE, Dubai, UAE
Tel: +971-4-801-1500

MIDDLE EAST

TURKEY

**Yamaha Music Europe GmbH
Merkezi Almanya Türkiye İstanbul Şubesi**
Mor Sumbul Sokak Varyap Meridian Business
1.Blok No:1 113-114-115
Bati Atasehir Istanbul, Turkey
Tel: +90-216-275-7960

OTHER COUNTRIES

Yamaha Music Gulf FZE
JAFZA-16, Office 512, P.O.Box 17328,
Jebel Ali FZE, Dubai, UAE
Tel: +971-4-801-1500

ASIA

THE PEOPLE'S REPUBLIC OF CHINA

Yamaha Music & Electronics (China) Co.,Ltd.
2F, Yunhedasha, 1818 Xinzha-lu, Jingan-qu,
Shanghai, China
Tel: +86-400-051-7700

INDIA

Yamaha Music India Private Limited
P-401, JMD Megapolis, Sector-48, Sohna Road,
Gurgaon-122018, Haryana, India
Tel: +91-124-485-3300

INDONESIA

PT. Yamaha Musik Indonesia (Distributor)
Yamaha Music Center Bldg. Jalan Jend. Gatot
Subroto Kav. 4, Jakarta 12930, Indonesia
Tel: +62-21-520-2577

KOREA

Yamaha Music Korea Ltd.
11F, Prudential Tower, 298, Gangnam-daero,
Gangnam-gu, Seoul, 06253, Korea
Tel: +82-2-3467-3300

MALAYSIA

Yamaha Music (Malaysia) Sdn. Bhd.
No.8, Jalan Perbandaran, Kelana Jaya, 47301
Petaling Jaya, Selangor, Malaysia
Tel: +60-3-78030900

SINGAPORE

Yamaha Music (Asia) Private Limited
Block 202 Hougang Street 21, #02-00,
Singapore 530202, Singapore
Tel: +65-6740-9200

TAIWAN

Yamaha Music & Electronics Taiwan Co.,Ltd.
2F., No.1, Yuandong Rd., Banqiao Dist.,
New Taipei City 22063, Taiwan (R.O.C.)
Tel: +886-2-7741-8888

THAILAND

Siam Music Yamaha Co., Ltd.
3, 4, 15, 16th FL., Siam Motors Building,
891/1 Rama 1 Road, Wangmai,
Pathumwan, Bangkok 10330, Thailand
Tel: +66-2215-2622

VIETNAM

Yamaha Music Vietnam Company Limited
15th Floor, Nam A Bank Tower, 201-203 Cach
Mang Thang Tam St., Ward 4, Dist.3,
Ho Chi Minh City, Vietnam
Tel: +84-8-3818-1122

OTHER ASIAN COUNTRIES

<http://asia.yamaha.com/>

OCEANIA

AUSTRALIA

Yamaha Music Australia Pty. Ltd.
Level 1, 80 Market Street, South Melbourne,
VIC 3205, Australia
Tel: +61-3-9693-5111

COUNTRIES AND TRUST

TERRITORIES IN PACIFIC OCEAN

<http://asia.yamaha.com/>

Yamaha Pro Audio global website
<https://www.yamaha.com/proaudio/>

Yamaha Downloads
<https://download.yamaha.com/>

Manual Development Group
© 2018 Yamaha Corporation
Published 04/2018 POEI-A0

ZW46860