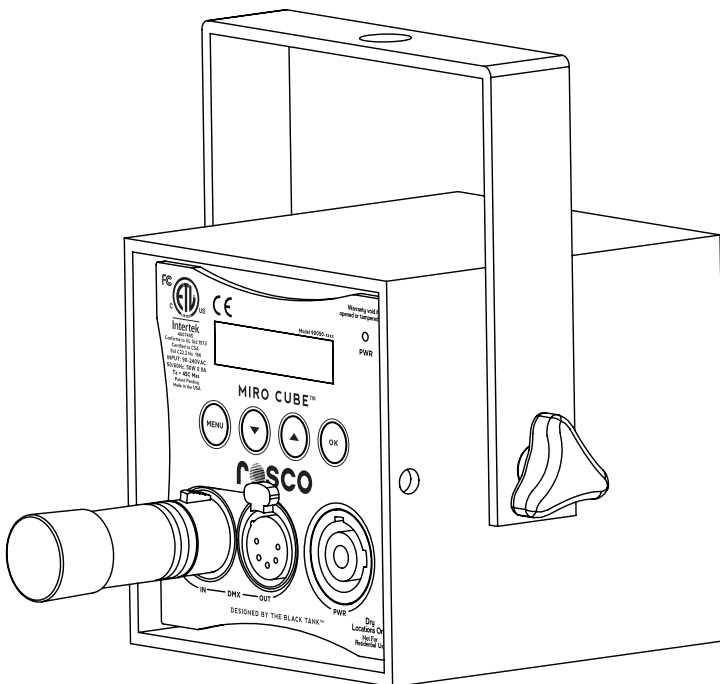


WIRELESS CONTROL OF YOUR ROSCO CUBES

Rosco's CubeConnect™ system enables effortless wireless control of your Miro or Braq Cubes from distances up to 2000 ft (600m). The compact CubeConnect™ Transceiver accepts lighting control commands (inputs) from DMX512, BlueTooth Limited Energy (BLE)*, or Serial DB9 connections, and sends the data back out on either the wireless antenna or the DMX output.

The CubeConnect™ Dongle is a 2.4Ghz radio receiver which plugs right into the back of a MIRO Cube™ or BRAQ Cube™, and accepts wireless lighting control data from a CubeConnect™ Transceiver.

An additional receiver option includes the use of a 2nd CubeConnect™ Transceiver, allowing CubeConnect™ to be deployed with any product which accepts DMX or to convert existing non-data track systems into intelligent systems.



Key Features

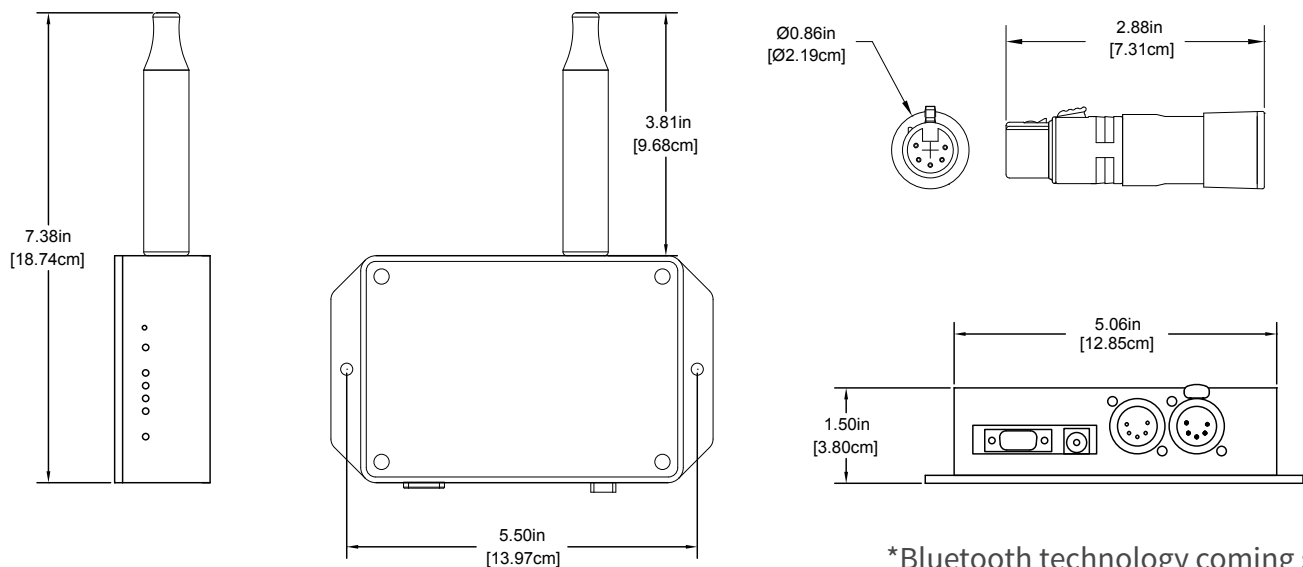
- DMX, Serial or Bluetooth* inputs allows CubeConnect™ compatibility with variety of control systems
- DMX or Serial outputs
- Universal power adapter (100 – 240 VAC In/5VDC Out)
- Compact size with multiple antenna configurations for optimal performance
- Locking feature to save configured scenes
- Up to 254 output channels can be controlled by a single Transceiver
- Master & Slave configuration when using multiple Transceivers in a common area

SPECIFICATIONS

Input Voltage:	5VDC (Input Power Adapter 100-240VAC In/5VDC Out)
Data Input:	DMX 512, Bluetooth Limited Energy (BLE)* or Serial ASCII
Data Output:	DMX 512 or Mini-SSC (serial) Up to 254 channels of control per Transceiver
Operating Range:	Up to 2000 ft. (600m) Line of Sight Actual performance will vary by location and is affected by walls, partitions and other rigid objects. See Application Notes for additional information
Operating Temp.:	-13° to 113° F (-20° to 45° C)
Humidity:	0 - 95% non-condensing
Transceiver Dimensions:	6in x 3.5in x 1.6in (152mm x 89mm x 41mm)
Transceiver Weight:	0.5 lbs (0.23 kg)
Housing:	Injection molded polycarbonate
Receiver Dongle Dimensions:	3" x 0.88" diameter (76mm x 22mm dia.)
Receiver Dongle Weight:	0.1 lb (0.05 kg)
Approvals:	FCC I.D. TE7WN722N & UY124 CE

PART NUMBERS

CubeConnect™ Transceiver	515 94000 0001
CubeConnect™ Dongle Receiver	515 94000 0002



*Bluetooth technology coming soon.