
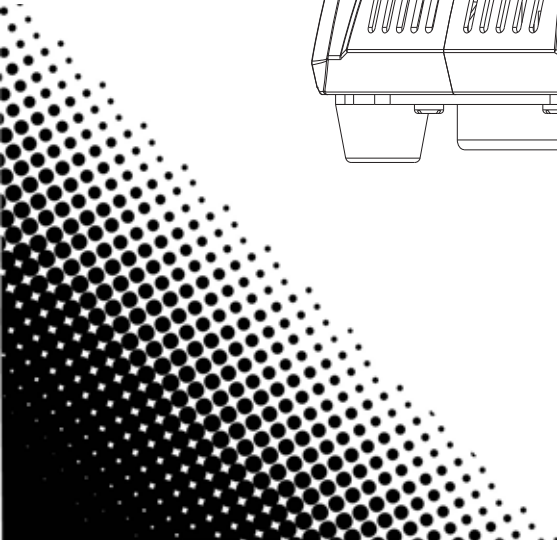
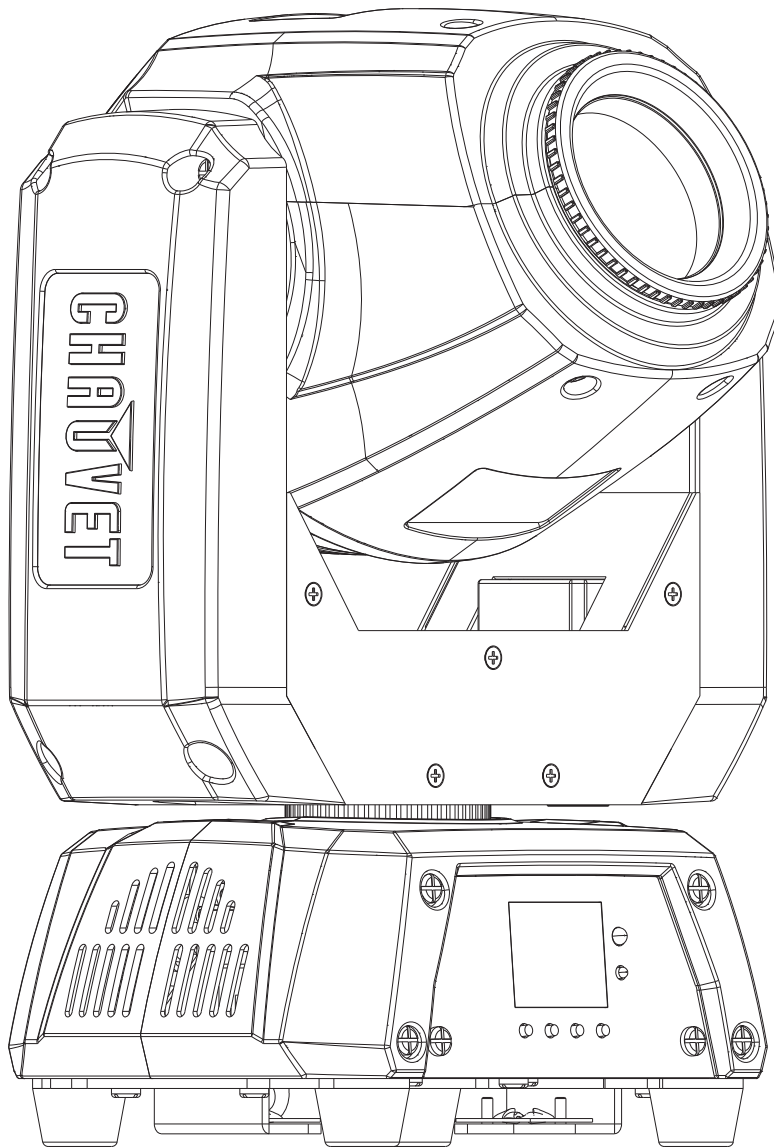


# INTIMIDATOR

## SPOT 260

### Quick Reference Guide



**CHAUVET**

## About This Guide

The Intimidator Spot 260 Quick Reference Guide (QRG) has basic product information such as mounting, menu options, and DMX values. Download the User Manual from [www.chauvetdj.com](http://www.chauvetdj.com) for more details.

### Disclaimer

The information and specifications contained in this QRG are subject to change without notice.

### LIMITED WARRANTY

**FOR WARRANTY REGISTRATION AND COMPLETE TERMS AND CONDITIONS PLEASE VISIT OUR WEBSITE.**

**For Customers in the United States and Mexico:** [www.chauvetlighting.com/warranty-registration](http://www.chauvetlighting.com/warranty-registration)

**For Customers in the United Kingdom, Republic of Ireland, Belgium, the Netherlands, Luxembourg, France, and Germany:** [www.chauvetlighting.eu/warranty-registration/](http://www.chauvetlighting.eu/warranty-registration/)

Chauvet warrants that this product shall be free from defects in material and workmanship under normal use, for the period specified in and subject to the exclusions and limitations set forth in, the full limited warranty on our website. This warranty extends only to the original purchaser of the product and is not transferable. To exercise rights under this warranty, you must provide proof of purchase in the form of an original sales receipt from an authorized dealer that shows the product name and date of purchase. THERE ARE NO OTHER EXPRESS OR IMPLIED WARRANTIES. This warranty gives you specific legal rights. You may also have other rights that vary from state to state and country to country. This warranty is valid only in the United States, United Kingdom, Republic of Ireland, Belgium, the Netherlands, Luxembourg, France, Germany and Mexico. For warranty terms in other countries, please consult your local distributor.

### Safety Notes

These Safety Notes include important information about installation, use, and maintenance.



- ONLY connect this product to a grounded and protected circuit.
  - DISCONNECT from power before cleaning or replacing the fuse.
  - DO NOT look at the light source when the product is on.
  - Make sure the power cord is not crimped or damaged.
  - Never disconnect this product from power by pulling on the cord.
  - When mounting this product overhead, ALWAYS use a safety cable.
  - DO NOT allow flammable materials close to the product when it is operating.
  - DO NOT touch the product's housing when it is on because it will be hot.
- 
- The voltage of the outlet to which you are connecting this product must be within the range stated on the decal or rear panel of the product.
  - This product is for indoor use only! (IP20) To prevent risk of fire or shock, do not expose this product to rain or moisture.
  - Always mount this product in a location with adequate ventilation, at least 20 in (50 cm) from adjacent surfaces.
  - Be sure that no ventilation slots on the unit's housing are blocked.
  - Never connect this product to a dimmer or rheostat.
  - Replace the fuse with the same type and rating.
  - Never carry the product by the power cord. Use only the handle to carry this product.
  - The maximum ambient temperature is 104 °F (40 °C). Do not operate this product at higher temperatures.
  - In the event of a serious operating problem, stop using immediately.
  - DO NOT open this product. It contains no user-serviceable parts.
  - To eliminate unnecessary wear and improve its lifespan, during periods of non-use completely disconnect the product from power via breaker or by unplugging it.



### Contact

Outside the U.S., United Kingdom, Ireland, Benelux, France, Germany, or Mexico, contact your distributor to request support or return a product. Visit [Contact Us](#) for contact information.

### What is Included

- Intimidator Spot 260
- Power Cord
- Hanging Bracket with Mounting Hardware
- Quick Reference Guide

**To Begin**

Unpack your Intimidator Spot 260 and make sure you have received all parts in good condition. If the box or contents appear damaged, notify the carrier immediately, not Chauvet.

**AC Power**

This product has an auto-ranging power supply that works with an input voltage range of 100 to 240 VAC, 50/60 Hz.



To eliminate wear and improve its lifespan, during periods of non-use completely disconnect the product from power via breaker or by unplugging it.

**Power Linking**

For the maximum number of Intimidator Spot 260 products that you can power link at each voltage, see the User Manual or the specification sticker on the product.

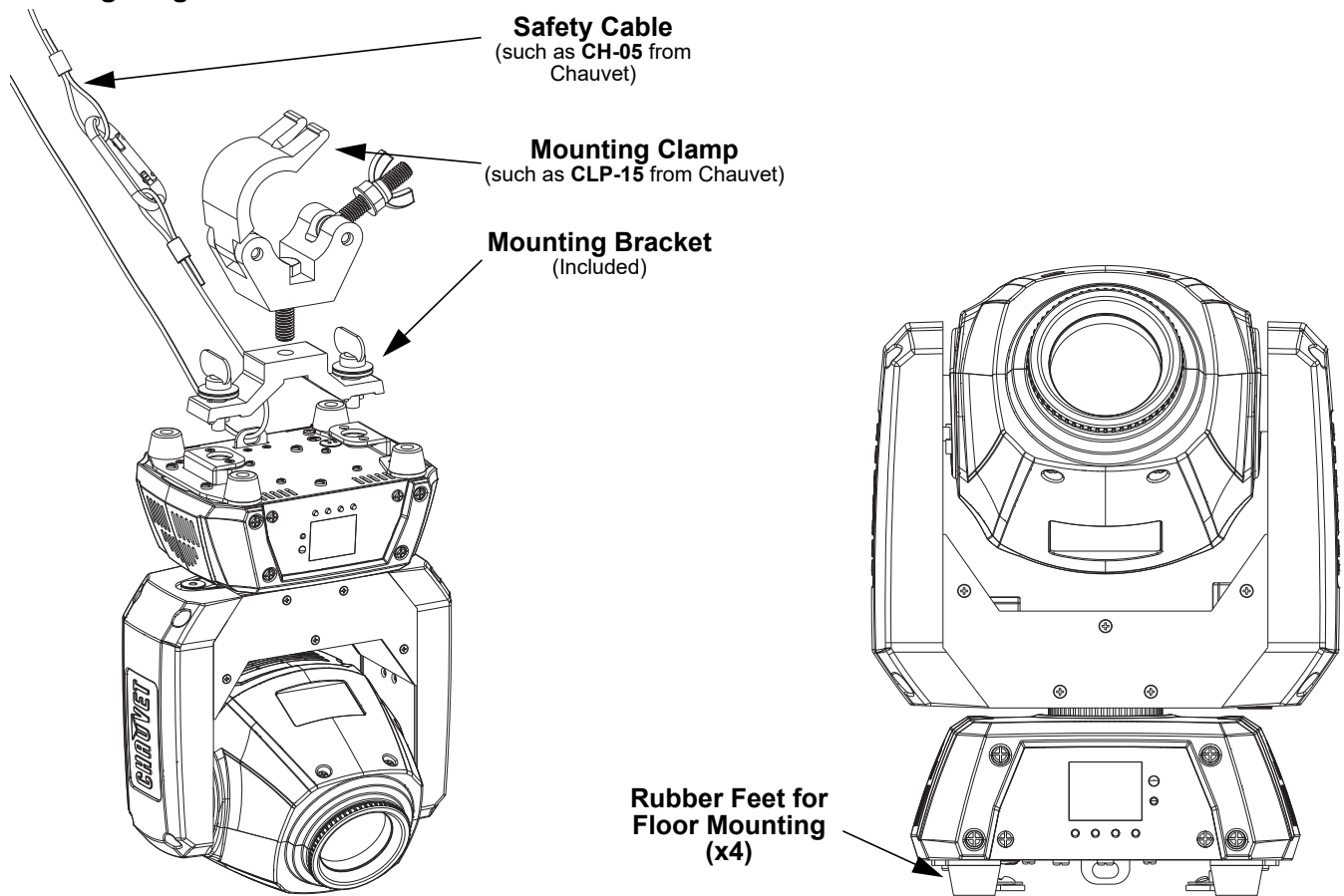
**Fuse Replacement**

1. Disconnect the product from power.
2. Using a flat-head screwdriver, unscrew the fuse holder and pull straight out.
3. Remove the blown fuse from the holder and replace with a fuse of the exact same type and rating.
4. Re-insert the fuse holder and reconnect power.

**Mounting**

Before mounting this product, read the [Safety Notes](#).

**Mounting Diagram**



### Control Panel Description

| BUTTON  | FUNCTION   |
|---------|--|
| <MENU>  | Exits from the current menu or function  |
| <UP>    | Navigates upwards through the menu list and increases the numeric value when in a function           |
| <DOWN>  | Navigates downwards through the menu list and decreases the numeric value when in a function         |
| <ENTER> | Enables the currently displayed menu or sets the currently selected value into the selected function |

### Menu Map

| MODE         | PROGRAMMING LEVELS                   |             | DESCRIPTION  |                                   |
|--------------|--------------------------------------|-------------|--|-----------------------------------|
| Address      | 001–512                              |             | Sets the DMX starting address                      |                                   |
| Run Mode     | DMX                                  | 14CH        | Selects DMX mode                                   |                                   |
|              |                                      | 8CH         |  |                                   |
|              | Slave                                | Slave1–4    | Selects Slave mode 1, 2, 3, or 4                   |                                   |
|              | Auto                                 |             | Selects Auto mode                                  |                                   |
|              | Sound                                |             | Selects Sound-Active mode                          |                                   |
|              | IR                                   |             | Selects infrared control                           |                                   |
|              | Manual                               | Pan         | 000–255  | 0 to 540°                         |
|              |                                      | Tilt        |  | 0 to 270°                         |
|              |                                      | Color       |  | Selects color options             |
|              |                                      | Gobo        |  | Selects gobo options              |
|              |                                      | Gobo Rotate |  | Rotates gobo                      |
|              |                                      | Prism       |  | Selects prism and rotation effect |
|              |                                      | Focus       |  | Manual focus control              |
|              |                                      | Dimmer      |  | Sets dimmer value                 |
| Shutter      | Sets shutter value and strobe effect |             |  |                                   |
| Setup        | Pan Reverse                          |             | OFF  | Normal pan operation              |
|              |                                      |             | ON   | Reverse pan operation             |
|              | Tilt Reverse                         |             | OFF  | Normal tilt operation             |
|              |                                      |             | ON   | Reverse tilt operation            |
|              | Screen Reverse                       |             | OFF  | Normal display                    |
|              |                                      |             | ON   | Reverse display                   |
|              | Pan Angle                            |             | 540  | Selects the 540° pan angle range  |
|              |                                      |             | 360  | Selects the 360° pan angle range  |
|              |                                      |             | 180  | Selects the 180° pan angle range  |
|              | Tilt Angle                           |             | 270  | Selects the 270° tilt angle range |
|              |                                      |             | 180  | Selects the 180° tilt angle range |
|              |                                      |             | 90   | Selects the 90° tilt angle range  |
|              | Totem Mode                           |             | OFF  | Normal mode                       |
|              |                                      |             | UP   | Totem mode Base Up                |
|              |                                      |             | DOWN   | Totem mode Base Down              |
|              | Sensitivity                          |             | 001–100  | Sets sound sensitivity            |
| Indicator    |                                      | OFF         | Enables/Disables LED Indicator                     |                                   |
|              |                                      | ON          |  |                                   |
| Flash if DMX |                                      | OFF         | LED Indicator flashes when DMX is turned ON or OFF |                                   |
|              |                                      | ON          |  |                                   |
| Reset        |                                      |             | Resets the product                                 |                                   |
| Factory Set  |                                      |             | Loads factory defaults                             |                                   |

| MODE     | PROGRAMMING LEVELS |            | DESCRIPTION                              |
|----------|--------------------|------------|--|
| Sys Info | Ver:               | V_         | Displays the software version            |
|          | Running Mode       | -----<br>- | Displays the current running mode        |
|          | DMX Address        | ---        | Displays the current DMX address         |
|          | Temperature        | ---        | Displays the current product temperature |

**DMX Linking**

The Intimidator Spot 260 can work with a DMX controller. Instructions for connecting and configuring this product for DMX operation are in the User Manual. If you are not familiar with DMX, download the DMX Primer from [www.chauvetdj.com](http://www.chauvetdj.com).

**Starting Address**

To ensure full access to all channels available in each DMX mode, the highest recommended DMX address is **505**.

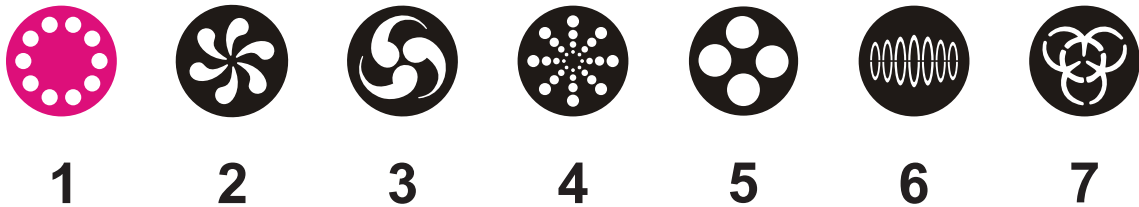
**Master/Slave Connection**

The Intimidator Spot 260 uses the DMX data connection for its Master/Slave mode. Information about configuring the Intimidator Spot 260 for Master/Slave operation is in the User Manual, which is available from the Chauvet website.

**IRC-6 (Infrared Remote Control)**

The Intimidator Spot 260 can be operated with the CHAUVET IRC-6. For more information about the IRC-6, download instructions for the IRC-6 or the Intimidator Spot 260 User Manual from [www.chauvetdj.com](http://www.chauvetdj.com).

**Gobos**



**DMX Values**

**14CH**

| CHANNEL   | FUNCTION                                    | VALUE     | PERCENT/SETTING                     |
|-----------|---|-----------|-------------------------------------|
| 1         | Pan   | 000 ⇄ 255 | 0–540°                              |
| 2         | Pan Fine                                    | 000 ⇄ 255 | Fine control of panning             |
| 3         | Tilt  | 000 ⇄ 255 | 0–270°                              |
| 4         | Tilt Fine                                   | 000 ⇄ 255 | Fine control of tilting             |
| 5         | Pan/Tilt Speed                              | 000 ⇄ 255 | Pan/Tilt speed, fast to slow        |
| 6         | Color Wheel                                 | 000 ⇄ 006 | White                               |
|           |   | 007 ⇄ 013 | Orange                              |
|           |   | 014 ⇄ 020 | Lime Green                          |
|           |   | 021 ⇄ 027 | Cyan                                |
|           |   | 028 ⇄ 034 | Red                                 |
|           |   | 035 ⇄ 041 | Green                               |
|           |   | 042 ⇄ 048 | Magenta                             |
|           |   | 049 ⇄ 055 | Yellow                              |
|           |   | 056 ⇄ 062 | Dark Blue                           |
|           |   | 063 ⇄ 064 | White                               |
|           |   | 065 ⇄ 189 | Color indexing                      |
|           |   | 190 ⇄ 221 | Color cycling rainbow, fast to slow |
|           |   | 222 ⇄ 223 | Stop                                |
| 224 ⇄ 255 | Reverse color cycling rainbow, slow to fast |           |                                     |

QUICK REFERENCE GUIDE



EN

| CHANNEL   | FUNCTION                                | VALUE     | PERCENT/SETTING                                      |
|-----------|---|-----------|--|
| 7         | Gobo Wheel (see <a href="#">Gobos</a> ) | 000 ⇔ 007 | Open   |
|           |   | 008 ⇔ 015 | Gobo 1   |
|           |   | 016 ⇔ 023 | Gobo 2   |
|           |   | 024 ⇔ 031 | Gobo 3   |
|           |   | 032 ⇔ 039 | Gobo 4   |
|           |   | 040 ⇔ 047 | Gobo 5   |
|           |   | 048 ⇔ 055 | Gobo 6   |
|           |   | 056 ⇔ 063 | Gobo 7   |
|           |   | 064 ⇔ 071 | Gobo 7 shake, slow to fast                           |
|           |   | 072 ⇔ 079 | Gobo 6 shake, slow to fast                           |
|           |   | 080 ⇔ 087 | Gobo 5 shake, slow to fast                           |
|           |   | 088 ⇔ 095 | Gobo 4 shake, slow to fast                           |
|           |   | 096 ⇔ 103 | Gobo 3 shake, slow to fast                           |
|           |   | 104 ⇔ 111 | Gobo 2 shake, slow to fast                           |
|           |   | 112 ⇔ 119 | Gobo 1 shake, slow to fast                           |
|           |   | 120 ⇔ 127 | Open   |
|           |   | 128 ⇔ 189 | Cycle effect, slow to fast                           |
| 190 ⇔ 193 | Stop                                    |           |  |
| 194 ⇔ 255 | Reverse cycle effect, slow to fast      |           |  |
| 8         | Gobo Rotation                           | 001 ⇔ 007 | No function  |
|           |   | 008 ⇔ 119 | Clockwise rotation, slow to fast                     |
|           |   | 120 ⇔ 231 | Counter-clockwise rotation, slow to fast             |
|           |   | 232 ⇔ 255 | Bounce, slow to fast                                 |
| 9         | Prism                                   | 000 ⇔ 015 | No function  |
|           |   | 016 ⇔ 255 | 3-facet prism  |
| 10        | Focus                                   | 000 ⇔ 255 | Focus, big to small                                  |
| 11        | Dimmer                                  | 000 ⇔ 255 | 0–100%   |
| 12        | Shutter                                 | 000 ⇔ 003 | Closed   |
|           |   | 004 ⇔ 007 | Open   |
|           |   | 008 ⇔ 076 | Strobe, slow to fast                                 |
|           |   | 077 ⇔ 145 | Pulse strobe, slow to fast                           |
|           |   | 146 ⇔ 215 | Random strobe, slow to fast                          |
|           |   | 216 ⇔ 255 | Open   |
| 13        | Function                                | 000 ⇔ 007 | No function  |
|           |   | 008 ⇔ 015 | Blackout on pan/tilt movement                        |
|           |   | 016 ⇔ 023 | Blackout on color wheel movement                     |
|           |   | 024 ⇔ 031 | Blackout on gobo wheel movement                      |
|           |   | 032 ⇔ 039 | Blackout on pan/tilt/color wheel movement            |
|           |   | 040 ⇔ 047 | Blackout on pan/tilt/gobo wheel movement             |
|           |   | 048 ⇔ 055 | Blackout on pan/tilt/color wheel/gobo wheel movement |
|           |   | 056 ⇔ 095 | No function  |
|           |   | 096 ⇔ 103 | Pan reset  |
|           |   | 104 ⇔ 111 | Tilt reset   |
|           |   | 112 ⇔ 119 | Color wheel reset                                    |
| 120 ⇔ 127 | Gobo wheel reset                        |           |  |

| CHANNEL   | FUNCTION                      | VALUE     | PERCENT/SETTING               |
|-----------|-------------------------------|-----------|-------------------------------|
| 13        | Function                      | 128 ⇄ 135 | No function                   |
|           |                               | 136 ⇄ 143 | Prism reset                   |
|           |                               | 144 ⇄ 151 | Focus reset                   |
|           |                               | 152 ⇄ 159 | All reset                     |
|           |                               | 160 ⇄ 255 | No function                   |
| 14        | Movement Macros               | 000 ⇄ 007 | No function                   |
|           |                               | 008 ⇄ 023 | Movement macro 1              |
|           |                               | 024 ⇄ 039 | Movement macro 2              |
|           |                               | 040 ⇄ 055 | Movement macro 3              |
|           |                               | 056 ⇄ 071 | Movement macro 4              |
|           |                               | 072 ⇄ 087 | Movement macro 5              |
|           |                               | 088 ⇄ 103 | Movement macro 6              |
|           |                               | 104 ⇄ 119 | Movement macro 7              |
|           |                               | 120 ⇄ 135 | Movement macro 8              |
|           |                               | 136 ⇄ 151 | Sound-active movement macro 1 |
|           |                               | 152 ⇄ 167 | Sound-active movement macro 2 |
|           |                               | 168 ⇄ 183 | Sound-active movement macro 3 |
|           |                               | 184 ⇄ 199 | Sound-active movement macro 4 |
|           |                               | 200 ⇄ 215 | Sound-active movement macro 5 |
|           |                               | 216 ⇄ 231 | Sound-active movement macro 6 |
|           |                               | 232 ⇄ 247 | Sound-active movement macro 7 |
| 248 ⇄ 255 | Sound-active movement macro 8 |           |                               |

**08CH**

| CHANNEL   | FUNCTION                                    | VALUE     | PERCENT/SETTING                     |
|-----------|---|-----------|-------------------------------------|
| 1         | Pan   | 000 ⇄ 255 | 0–540°                              |
| 2         | Tilt  | 000 ⇄ 255 | 0–270°                              |
| 3         | Color Wheel                                 | 000 ⇄ 006 | White                               |
|           |   | 007 ⇄ 013 | Orange                              |
|           |   | 014 ⇄ 020 | Lime Green                          |
|           |   | 021 ⇄ 027 | Cyan                                |
|           |   | 028 ⇄ 034 | Red                                 |
|           |   | 035 ⇄ 041 | Green                               |
|           |   | 042 ⇄ 048 | Magenta                             |
|           |   | 049 ⇄ 055 | Yellow                              |
|           |   | 056 ⇄ 062 | Dark Blue                           |
|           |   | 063 ⇄ 064 | White                               |
|           |   | 065 ⇄ 189 | Color indexing                      |
|           |   | 190 ⇄ 221 | Color cycling rainbow, fast to slow |
|           |   | 222 ⇄ 223 | Stop                                |
| 224 ⇄ 255 | Reverse color cycling rainbow, slow to fast |           |                                     |
| 4         | Gobo Wheel (see <a href="#">Gobos</a> )     | 000 ⇄ 007 | Open                                |
|           |   | 008 ⇄ 015 | Gobo 1                              |
|           |   | 016 ⇄ 023 | Gobo 2                              |
|           |   | 024 ⇄ 031 | Gobo 3                              |
|           |   | 032 ⇄ 039 | Gobo 4                              |

QUICK REFERENCE GUIDE



EN

| CHANNEL | FUNCTION                                | VALUE     | PERCENT/SETTING                    |
|---------|---|-----------|------------------------------------|
| 4       | Gobo Wheel (see <a href="#">Gobos</a> ) | 040 ⇔ 047 | Gobo 5                             |
|         |   | 048 ⇔ 055 | Gobo 6                             |
|         |   | 056 ⇔ 063 | Gobo 7                             |
|         |   | 064 ⇔ 071 | Gobo 7 shake, slow to fast         |
|         |   | 072 ⇔ 079 | Gobo 6 shake, slow to fast         |
|         |   | 080 ⇔ 087 | Gobo 5 shake, slow to fast         |
|         |   | 088 ⇔ 095 | Gobo 4 shake, slow to fast         |
|         |   | 096 ⇔ 103 | Gobo 3 shake, slow to fast         |
|         |   | 104 ⇔ 111 | Gobo 2 shake, slow to fast         |
|         |   | 112 ⇔ 119 | Gobo 1 shake, slow to fast         |
|         |   | 120 ⇔ 127 | Open                               |
|         |   | 128 ⇔ 189 | Cycle effect, slow to fast         |
|         |   | 190 ⇔ 193 | Stop                               |
|         |   | 194 ⇔ 255 | Reverse cycle effect, slow to fast |
| 5       | Gobo Rotation                           | 000       | No function                        |
|         |   | 001 ⇔ 063 | Gobo indexing                      |
|         |   | 064 ⇔ 145 | Rotation, slow to fast             |
|         |   | 146 ⇔ 149 | Stop                               |
|         |   | 150 ⇔ 231 | Reverse rotation, slow to fast     |
| 6       | Prism                                   | 000 ⇔ 015 | No function                        |
|         |   | 016 ⇔ 255 | 3-facet prism                      |
| 7       | Focus                                   | 000 ⇔ 255 | Focus, big to small                |
| 8       | Shutter                                 | 000 ⇔ 003 | Closed                             |
|         |   | 004 ⇔ 007 | Open                               |
|         |   | 008 ⇔ 076 | Strobe, slow to fast               |
|         |   | 077 ⇔ 145 | Pulse strobe, slow to fast         |
|         |   | 146 ⇔ 215 | Random strobe, slow to fast        |
|         |   | 216 ⇔ 255 | Open                               |



## Acerca de esta guía

La Guía de referencia rápida (GRR) del Intimidator Spot 260 contiene información básica sobre el producto, como montaje, opciones de menú y valores DMX. Descargue el manual de usuario de [www.chauvetdj.com](http://www.chauvetdj.com) para una información más detallada.

## Exención de responsabilidad

La información y especificaciones contenidas en esta GRR están sujetas a cambio sin previo aviso.

## GARANTÍA LIMITADA

**PARA VER EL REGISTRO DE GARANTÍA Y LOS TÉRMINOS Y CONDICIONES COMPLETOS, VISITE NUESTRO SITIO WEB.**

**Para clientes en los Estados Unidos y México:** [www.chauvetlighting.com/warranty-registration](http://www.chauvetlighting.com/warranty-registration)

**Para clientes en Reino Unido, República de Irlanda, Bélgica, Países Bajos, Luxemburgo, Francia y Alemania:** [www.chauvetlighting.eu/warranty-registration/](http://www.chauvetlighting.eu/warranty-registration/)

Chauvet garantiza que este producto estará libre de defectos de material y mano de obra en condiciones de uso normales, durante el periodo especificado, sujeto siempre a las exclusiones y limitaciones establecidas en la garantía limitada completa de nuestro sitio web. Esta garantía se concede únicamente al comprador original del producto y no es transferible. Para ejercer los derechos que otorga esta garantía, usted debe proporcionar una prueba de compra en forma de un recibo de compra original, expedido por un distribuidor autorizado, donde figure el nombre del producto y la fecha de compra. **NO EXISTEN OTRAS GARANTÍAS EXPRESAS NI IMPLÍCITAS.** Esta garantía le otorga derechos legales específicos. Es posible que a usted le asistan otros derechos, que variarán dependiendo del estado o del país. Esta garantía solamente es válida en los Estados Unidos, Reino Unido, República de Irlanda, Bélgica, Países Bajos, Luxemburgo, Francia, Alemania y México. Para conocer los términos de garantía en otros países, consulte a su distribuidor local.

## Notas de seguridad

Estas notas de seguridad incluyen información importante sobre el montaje, uso y mantenimiento.



- Conecte siempre el producto a un circuito con toma de tierra para evitar el riesgo de electrocución.
- Asegúrese de que el cable de alimentación no está retorcido ni estropeado.
- Desconecte siempre el producto de la fuente de alimentación antes de limpiarlo o cambiar el fusible.
- Nunca desconecte el producto de la fuente de alimentación agarrando o tirando del cable.
- Si monta el producto en altura, asegúrese de que el soporte es adecuado para el peso del producto, y asegure siempre el producto con un cable de seguridad.
- Asegúrese de que no hay materiales inflamables cerca del producto cuando esté en funcionamiento.
- Evite la exposición directa de los ojos a la fuente de luz mientras es producto esté encendido.
- No toque la carcasa del producto cuando el producto esté en funcionamiento, porque la carcasa puede estar muy caliente.



- El producto no está concebido para una instalación permanente.
- ¡El producto es para uso en interiores solamente! Está clasificado como IP20.
- No exponga el producto a lluvia o humedad.
- Asegúrese de que la tensión de la fuente de alimentación usada para el producto está dentro del rango establecido en el adhesivo o en el panel posterior del producto.
- Nunca conecte el producto a un atenuador o reostato.
- Sustituya el fusible del producto solo con otro fusible del mismo tipo y categoría.
- Instale el producto en una ubicación con ventilación adecuada
- Deje al menos a 20" (50 cm) entre el producto y las superficies adyacentes.
- No bloquee las ranuras de ventilación de la carcasa del producto.
- No haga funcionar el producto a una temperatura ambiente superior a 104 °F (40 °C).
- Nunca mueva el producto agarrándolo por el cable de alimentación o por cualquier parte móvil.
- Use solamente el soporte de Montaje para mover este producto.
- En caso de un problema grave de funcionamiento, deje de usar el producto inmediatamente.
- Nunca intente abrir ni reparar el producto. Las reparaciones llevadas a cabo por personal no cualificado pueden provocar averías o funcionamiento defectuoso.
- Para evitar un desgaste innecesario y alargar su vida útil, desconecte complemente el producto de la alimentación, mediante el interruptor o desenchufándolo, durante los periodos en los que no se use.

## Contacto

Fuera de EE. UU., Reino Unido, Irlanda, Benelux, Francia, Alemania o México póngase en contacto con su distribuidor para solicitar asistencia o devolver un producto. Visite [Contact Us](#) para información de contacto.

## Qué va incluido

- Intimidator Spot 260
- Cable de alimentación
- Soporte para colgar
- Guía de referencia rápida

## Para empezar

Desembale su Intimidator Spot 260 y asegúrese de que ha recibido todas las partes en buen estado. Si la caja o los componentes parecen dañados, notifíquese lo inmediatamente al transportista, no a Chauvet.

## Corriente alterna

Este producto tiene una fuente de alimentación con detección automática que puede funcionar con un rango de tensión de entrada de 100–240 VCA, 50/60 Hz.



**Para evitar un desgaste innecesario y alargar su vida útil, desconecte completamente el producto mediante el interruptor o desenchufándolo durante periodos en que no se use.**

## Alimentación en cadena

Para ver el máximo número de Intimidator Spot 260 que se pueden alimentar en cadena a 120 V o a 240 V, consulte el Manual de usuario o la etiqueta del producto.

## Sustitución del fusible

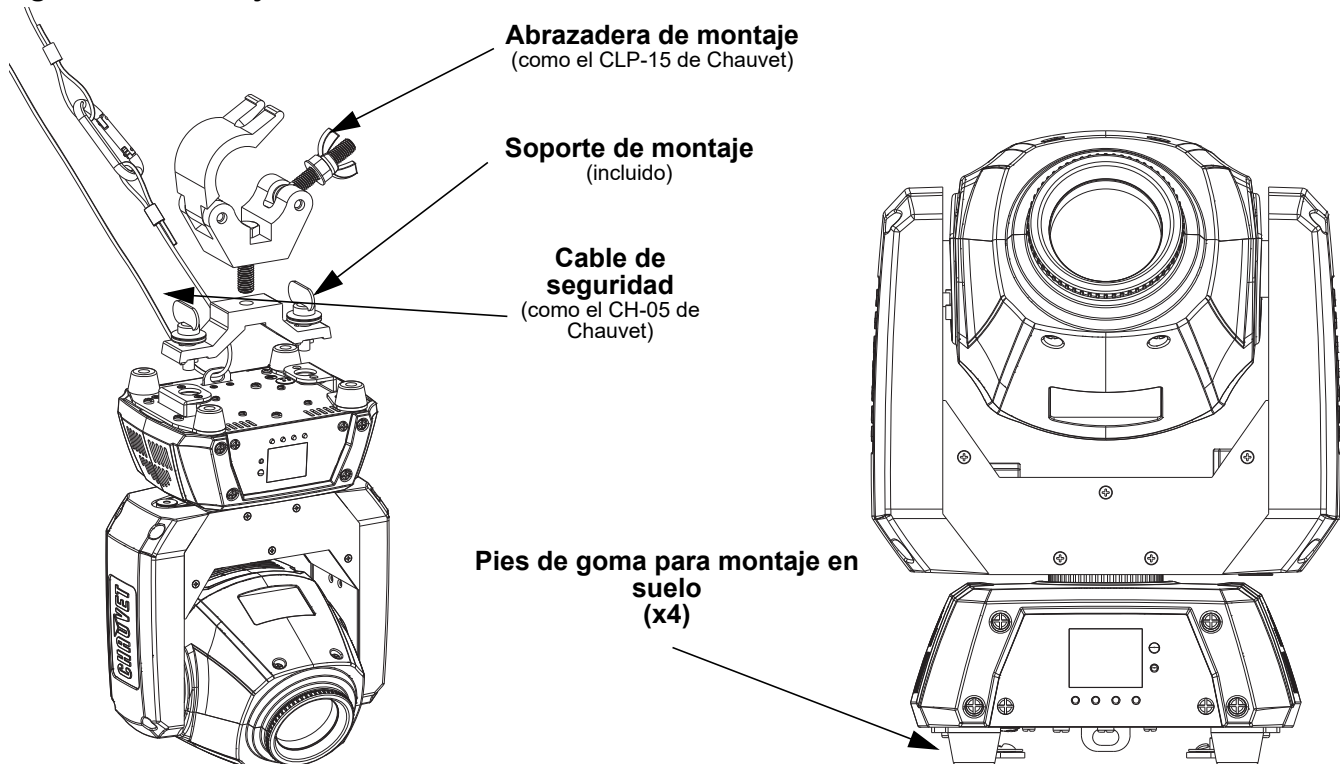
1. Desconecte el producto de la alimentación.
2. Haga cuña con la punta de un destornillador plano en la ranura del portafusibles.
3. Saque la tapa de seguridad de la carcasa.
4. Quite el fusible fundido de la sujeción en la parte frontal de la tapa de seguridad y sustituya el fusible con otro del mismo tipo y categoría.

Vuelva a insertar el portafusibles y conecte de nuevo la alimentación.

## Montaje

Antes de montar este producto, lea las [Notas de seguridad](#).

### Diagrama de montaje



**Descripción del panel de control**

| BOTÓN   | FUNCIÓN  |
|---------|--|
| <MENU>  | Salte del menú o función actual  |
| <UP>    | Navega hacia arriba por la lista de menú y aumenta el valor numérico cuando está en una función                          |
| <DOWN>  | Navega hacia abajo por la lista de menú y disminuye el valor numérico cuando está en una función                         |
| <ENTER> | Habilita el menú actualmente en pantalla o configura el valor seleccionado actualmente dentro de la función seleccionada |

**Mapa de menú**

| MODO        | NIVELES DE PROGRAMACIÓN                                    |          | DESCRIPCIÓN  |   |
|-------------|--|----------|--|---|
| Address     | 001–512  |          | Configura la dirección inicial DMX                             |   |
| Run Mode    | DMX  | 14CH     | Selecciona el modo de ejecución DMX                            |   |
|             |  | 08CH     |  |   |
|             | Slave  | Slave1–4 |  | Selecciona el modo Esclavo 1, 2, 3 o 4    |
|             |  | Auto     |  | Selecciona el modo Automático             |
|             |  | Sound    |  | Selecciona el modo Activo por sonido      |
|             |  | IR       |  | Selecciona el control por infrarrojos     |
|             | Manual   | 000–255  | Pan  | 0 a 540°                                  |
|             |  |          | Tilt   | 0 a 270°                                  |
|             |  |          | Color  | Selecciona las opciones de color          |
|             |  |          | Gobo   | Selecciona las opciones de gobo           |
|             |  |          | Gobo Rotate  | Gira el gobo                              |
|             |  |          | Prism  | Selecciona el prisma y efecto de rotación |
|             |  |          | Focus  | Control manual de foco                    |
|             |  |          | Dimmer   | Configura el valor del atenuador          |
| Shutter     | Configura el valor del obturador y efecto de estroboscopia |          |  |   |
| Setup       | Pan Reverse  | OFF      | Funcionamiento de desplazamiento lateral normal                |   |
|             |  | ON       | Invierte el funcionamiento del desplazamiento lateral          |   |
|             | Tilt Reverse   | OFF      | Funcionamiento inclinación normal                              |   |
|             |  | ON       | Invierte el funcionamiento de la inclinación                   |   |
|             | Screen Reverse   | OFF      | Pantalla normal  |   |
|             |  | ON       | Invierte la pantalla   |   |
|             | Pan Angle  | 540      | Selecciona el rango de desplazamiento lateral de 540°          |   |
|             |  | 360      | Selecciona el rango de desplazamiento lateral de 360°          |   |
|             |  | 180      | Selecciona el rango de desplazamiento lateral de 180°          |   |
|             | Tilt Angle   | 270      | Selecciona el rango de inclinación de 270°                     |   |
|             |  | 180      | Selecciona el rango de inclinación de 180°                     |   |
|             |  | 90       | Selecciona el rango de inclinación de 90°                      |   |
|             | Totem Mode   | OFF      | Modo normal  |   |
|             |  | UP       | Desplazamiento lateral e inclinación hacia arriba              |   |
|             |  | DOWN     | Desplazamiento lateral e inclinación hacia abajo               |   |
|             | Sensitivity  | 001–100  | Control de sensibilidad al sonido                              |   |
|             | Indicator  | OFF      | Activa/desactiva el indicador LED                              |   |
|             |  | ON       |  |   |
|             | Flash if DMX   | OFF      | El indicador LED parpadea cuando se enciende o se apaga el DMX |   |
|             |  | ON       |  |   |
| Reset       |  |          | Reinicia el producto   |   |
| Factory Set |  |          | Carga los valores por defecto de fábrica                       |   |

| MODO     | NIVELES DE PROGRAMACIÓN |       | DESCRIPCIÓN                                |
|----------|-------------------------|-------|--|
| Sys Info | Ver:                    | V_    | Muestra en pantalla la versión de software |
|          | Running Mode            | ----- | Muestra el modo de ejecución actual        |
|          | DMX Address             | ---   | Muestra la dirección DMX actual            |
|          | Temperature             | ---   | Muestra la temperatura actual del producto |

### Enlace DMX

El Intimidator Spot 260 puede funcionar con un controlador DMX cuando se enlaza por conexiones serie DMX. Las instrucciones para conectar y configurar este producto para funcionamiento DMX están en el Manual de usuario. Si no está familiarizado con DMX, descargue el Manual DMX de [www.chauvetdj.com](http://www.chauvetdj.com).

### Dirección de inicio

Para asegurarse acceso total a todos los canales en cada modo DMX, la dirección DMX más recomendable es **505**.

### Conexión Maestro/Esclavo

El Intimidator Spot 260 usa la conexión de datos DMX para su modo Maestro/Esclavo. Las instrucciones para conectar y configurar este producto para funcionamiento Maestro/Esclavo están en el Manual de usuario.

### IRC-6 (control remoto por infrarrojos)

El Intimidator Spot 260 es totalmente compatible con el control remoto por infrarrojos (IRC-6) de CHAUVET DJ. Para información adicional sobre el IRC-6 o para descargar las instrucciones, consulte [www.chauvetdj.com](http://www.chauvetdj.com).

### Gobos



1



2



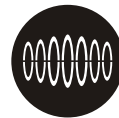
3



4



5



6



7

### Valores DMX

#### 14CH

| CANAL     | FUNCIÓN  | VALOR     | PORCENTAJE/CONFIGURACIÓN   |
|-----------|--|-----------|--|
| 1         | Desplazamiento lateral                           | 000 ⇔ 255 | 0–540°   |
| 2         | Desplazamiento lateral fino                      | 000 ⇔ 255 | Control fino del desplazamiento lateral                          |
| 3         | Inclinación                                      | 000 ⇔ 255 | 0–270°   |
| 4         | Inclinación fina                                 | 000 ⇔ 255 | Control fino de la inclinación                                   |
| 5         | Velocidad  | 000 ⇔ 255 | Velocidad de desplazamiento lateral/inclinación (rápido a lento) |
| 6         | Rueda de color                                   | 000 ⇔ 006 | Blanco   |
|           |  | 007 ⇔ 013 | Naranja  |
|           |  | 014 ⇔ 020 | Verde lima   |
|           |  | 021 ⇔ 027 | Cian   |
|           |  | 028 ⇔ 034 | Rojo   |
|           |  | 035 ⇔ 041 | Verde  |
|           |  | 042 ⇔ 048 | Magenta  |
|           |  | 049 ⇔ 055 | Amarillo   |
|           |  | 056 ⇔ 062 | Azul oscuro  |
|           |  | 063 ⇔ 064 | Blanco   |
|           |  | 065 ⇔ 189 | Indexación de color  |
|           |  | 190 ⇔ 221 | Ciclo de color arco iris, rápido a lento                         |
|           |  | 222 ⇔ 223 | Parada   |
| 224 ⇔ 255 | Ciclo de color arco iris inverso, lento a rápido |           |  |

| CANAL     | FUNCIÓN                                    | VALOR     | PORCENTAJE/CONFIGURACIÓN   |
|-----------|--|-----------|--|
| 7         | Rueda de gobo (véa <a href="#">Gobos</a> ) | 000 ⇔ 007 | Abierto  |
|           |  | 008 ⇔ 015 | Gobo 1   |
|           |  | 016 ⇔ 023 | Gobo 2   |
|           |  | 024 ⇔ 031 | Gobo 3   |
|           |  | 032 ⇔ 039 | Gobo 4   |
|           |  | 040 ⇔ 047 | Gobo 5   |
|           |  | 048 ⇔ 055 | Gobo 6   |
|           |  | 056 ⇔ 063 | Gobo 7   |
|           |  | 064 ⇔ 071 | Vibración gobo 7, lento a rápido   |
|           |  | 072 ⇔ 079 | Vibración gobo 6, lento a rápido   |
|           |  | 080 ⇔ 087 | Vibración gobo 5, lento a rápido   |
|           |  | 088 ⇔ 095 | Vibración gobo 4, lento a rápido   |
|           |  | 096 ⇔ 103 | Vibración gobo 3, lento a rápido   |
|           |  | 104 ⇔ 111 | Vibración gobo 2, lento a rápido   |
|           |  | 112 ⇔ 119 | Vibración gobo 1, lento a rápido   |
|           |  | 120 ⇔ 127 | Abierto  |
| 128 ⇔ 189 | Efecto cíclico, lento a rápido             |           |  |
| 190 ⇔ 193 | Parada                                     |           |  |
| 194 ⇔ 255 | Efecto cíclico inverso, lento a rápido     |           |  |
| 8         | Rotación de Gobo                           | 001 ⇔ 007 | Sin función  |
|           |  | 008 ⇔ 119 | Rotación, lento a rápido   |
|           |  | 120 ⇔ 231 | Rotación inverso, lento a rápido   |
|           |  | 232 ⇔ 255 | Rebote, lento a rápido   |
| 9         | Prisma                                     | 000 ⇔ 015 | Sin función  |
|           |  | 016 ⇔ 255 | Prisma de 3 caras  |
| 10        | Foco                                       | 000 ⇔ 255 | Foco, grande a pequeño   |
| 11        | Atenuador                                  | 000 ⇔ 255 | 0–100%   |
| 12        | Obturador                                  | 000 ⇔ 003 | Cerrado  |
|           |  | 004 ⇔ 007 | Abierto  |
|           |  | 008 ⇔ 076 | Estroboscopio, lento a rápido  |
|           |  | 077 ⇔ 145 | Estroboscopio de pulso, lento a rápido                                     |
|           |  | 146 ⇔ 215 | Estroboscopio aleatorio, lento a rápido                                    |
|           |  | 216 ⇔ 255 | Abierto  |
| 13        | Función                                    | 000 ⇔ 007 | Sin función  |
|           |  | 008 ⇔ 015 | Blackout en movimiento panorámico/inclinación                              |
|           |  | 016 ⇔ 023 | Blackout en movimiento de rueda de color                                   |
|           |  | 024 ⇔ 031 | Blackout en movimiento de rueda de gobo                                    |
|           |  | 032 ⇔ 039 | Blackout en movimiento panorámico/inclinación/rueda de color               |
|           |  | 040 ⇔ 047 | Blackout en movimiento panorámico/inclinación/rueda de gobo                |
|           |  | 048 ⇔ 055 | Blackout en movimiento panorámico/inclinación/rueda de color/rueda de gobo |
|           |  | 056 ⇔ 095 | Sin función  |
|           |  | 096 ⇔ 103 | Reiniciar desplazamiento lateral   |
|           |  | 104 ⇔ 111 | Reiniciar inclinación  |

ES

| CANAL | FUNCIÓN              | VALOR     | PORCENTAJE/CONFIGURACIÓN                |
|-------|----------------------|-----------|---|
| 13    | Función              | 112 ⇔ 119 | Reiniciar rueda de color                |
|       |                      | 120 ⇔ 127 | Reiniciar rueda de gobo                 |
|       |                      | 128 ⇔ 135 | Sin función                             |
|       |                      | 136 ⇔ 143 | Reiniciar prisma                        |
|       |                      | 144 ⇔ 151 | Reiniciar foco                          |
|       |                      | 152 ⇔ 159 | Reiniciar todos                         |
|       |                      | 160 ⇔ 255 | Sin función                             |
| 14    | Macros de movimiento | 000 ⇔ 007 | Sin función                             |
|       |                      | 008 ⇔ 023 | Macro de movimiento 1                   |
|       |                      | 024 ⇔ 039 | Macro de movimiento 2                   |
|       |                      | 040 ⇔ 055 | Macro de movimiento 3                   |
|       |                      | 056 ⇔ 071 | Macro de movimiento 4                   |
|       |                      | 072 ⇔ 087 | Macro de movimiento 5                   |
|       |                      | 088 ⇔ 103 | Macro de movimiento 6                   |
|       |                      | 104 ⇔ 119 | Macro de movimiento 7                   |
|       |                      | 120 ⇔ 135 | Macro de movimiento 8                   |
|       |                      | 136 ⇔ 151 | Macro de movimiento activo por sonido 1 |
|       |                      | 152 ⇔ 167 | Macro de movimiento activo por sonido 2 |
|       |                      | 168 ⇔ 183 | Macro de movimiento activo por sonido 3 |
|       |                      | 184 ⇔ 199 | Macro de movimiento activo por sonido 4 |
|       |                      | 200 ⇔ 215 | Macro de movimiento activo por sonido 5 |
|       |                      | 216 ⇔ 231 | Macro de movimiento activo por sonido 6 |
|       |                      | 232 ⇔ 247 | Macro de movimiento activo por sonido 7 |
|       |                      | 248 ⇔ 255 | Macro de movimiento activo por sonido 8 |

08CH

| CANAL | FUNCIÓN                | VALOR     | PORCENTAJE/CONFIGURACIÓN                         |
|-------|------------------------|-----------|--|
| 1     | Desplazamiento lateral | 000 ⇔ 255 | 0–540°   |
| 2     | Inclinación            | 000 ⇔ 255 | 0–270°   |
| 3     | Rueda de color         | 000 ⇔ 006 | Blanco   |
|       |                        | 007 ⇔ 013 | Naranja  |
|       |                        | 014 ⇔ 020 | Verde lima                                       |
|       |                        | 021 ⇔ 027 | Cian   |
|       |                        | 028 ⇔ 034 | Rojo   |
|       |                        | 035 ⇔ 041 | Verde  |
|       |                        | 042 ⇔ 048 | Magenta  |
|       |                        | 049 ⇔ 055 | Amarillo   |
|       |                        | 056 ⇔ 062 | Azul oscuro                                      |
|       |                        | 063 ⇔ 064 | Blanco   |
|       |                        | 065 ⇔ 189 | Indexación de color                              |
|       |                        | 190 ⇔ 221 | Ciclo de color arco iris, rápido a lento         |
|       |                        | 222 ⇔ 223 | Parada   |
|       |                        | 224 ⇔ 255 | Ciclo de color arco iris inverso, lento a rápido |

| CANAL     | FUNCIÓN                                    | VALOR     | PORCENTAJE/CONFIGURACIÓN               |
|-----------|--|-----------|--|
| 4         | Rueda de gobo (véa <a href="#">Gobos</a> ) | 000 ⇔ 007 | Abierto                                |
|           |  | 008 ⇔ 015 | Gobo 1                                 |
|           |  | 016 ⇔ 023 | Gobo 2                                 |
|           |  | 024 ⇔ 031 | Gobo 3                                 |
|           |  | 032 ⇔ 039 | Gobo 4                                 |
|           |  | 040 ⇔ 047 | Gobo 5                                 |
|           |  | 048 ⇔ 055 | Gobo 6                                 |
|           |  | 056 ⇔ 063 | Gobo 7                                 |
|           |  | 064 ⇔ 071 | Vibración gobo 7, lento a rápido       |
|           |  | 072 ⇔ 079 | Vibración gobo 6, lento a rápido       |
|           |  | 080 ⇔ 087 | Vibración gobo 5, lento a rápido       |
|           |  | 088 ⇔ 095 | Vibración gobo 4, lento a rápido       |
|           |  | 096 ⇔ 103 | Vibración gobo 3, lento a rápido       |
|           |  | 104 ⇔ 111 | Vibración gobo 2, lento a rápido       |
|           |  | 112 ⇔ 119 | Vibración gobo 1, lento a rápido       |
|           |  | 120 ⇔ 127 | Abierto                                |
| 5         | Rotación de Gobo                           | 128 ⇔ 189 | Efecto cíclico, lento a rápido         |
|           |  | 190 ⇔ 193 | Parada                                 |
|           |  | 194 ⇔ 255 | Efecto cíclico inverso, lento a rápido |
|           |  | 001 ⇔ 007 | Sin función                            |
| 6         | Prisma                                     | 008 ⇔ 119 | Rotación, lento a rápido               |
|           |  | 120 ⇔ 231 | Rotación inverso, lento a rápido       |
|           |  | 232 ⇔ 255 | Rebote, lento a rápido                 |
| 7         | Foco                                       | 000 ⇔ 003 | Sin función                            |
| 8         | Obturador                                  | 004 ⇔ 006 | Prisma de 3 caras                      |
|           |  | 000 ⇔ 255 | Foco, grande a pequeño                 |
|           |  | 000 ⇔ 003 | Cerrado                                |
|           |  | 004 ⇔ 007 | Abierto                                |
|           |  | 008 ⇔ 076 | Estroboscopio, lento a rápido          |
|           |  | 077 ⇔ 145 | Estroboscopio de pulso, lento a rápido |
| 146 ⇔ 215 | Estroboscopio aleatorio, lento a rápido    |           |  |
| 216 ⇔ 255 | Abierto                                    |           |  |

## A propos de ce manuel

Le Manuel de Référence (MR) du Intimidator Spot 260 reprend des informations de base sur cet appareil notamment en matière de montage, d'options de menu et de valeurs DMX. Veuillez télécharger le manuel d'utilisation à partir du site internet [www.chauvetdj.com](http://www.chauvetdj.com) pour plus de détails.

### Clause de non Responsabilité

Les informations et caractéristiques contenues dans ce MR sont sujettes à modification sans préavis.

### GARANTIE LIMITÉE

**VEUILLEZ VISITER NOTRE SITE INTERNET POUR CONSULTER LES MODALITÉS D'ENREGISTREMENT DE LA GARANTIE ET LES CONDITIONS GÉNÉRALES COMPLÈTES.**

Pour les clients aux États-Unis et au Mexique: [www.chauvetlighting.com/warranty-registration](http://www.chauvetlighting.com/warranty-registration)

Pour les clients du Royaume-Uni, de la République d'Irlande, de la Belgique, des Pays-Bas, du Luxembourg, de la France et de l'Allemagne: [www.chauvetlighting.eu/warranty-registration/](http://www.chauvetlighting.eu/warranty-registration/)

Chauvet garantit que cet appareil est exempt de défauts de matériaux et de fabrication dans des conditions normales d'utilisation, pendant la période spécifiée dans la garantie limitée complète consultable sur notre site Internet et sous réserve des exclusions et limitations qui y sont énoncées. Cette garantie ne s'applique qu'à l'acheteur initial du produit et n'est pas transférable. Pour exercer les droits prévus par cette garantie, vous devez fournir une preuve d'achat sous la forme d'un reçu de vente original d'un revendeur autorisé qui indique le nom du produit et la date d'achat. IL N'EXISTE AUCUNE AUTRE GARANTIE EXPRESSE OU IMPLICITE. Cette garantie vous confère des droits légaux spécifiques. Vous pouvez également bénéficier d'autres droits qui varient selon les états et les pays. Cette garantie n'est valable qu'aux États-Unis, au Royaume-Uni, en République d'Irlande, en Belgique, aux Pays-Bas, au Luxembourg, en France, en Allemagne et au Mexique. Pour connaître les conditions de garantie dans d'autres pays, veuillez consulter votre revendeur local.

### Consignes de Sécurité

Ces consignes de sécurité contiennent des informations importantes en matière d'installation, d'utilisation et d'entretien.



- Connectez toujours l'appareil à un circuit relié à la terre afin d'éviter tout risque d'électrocution.
- Assurez-vous que le cordon d'alimentation n'est ni tordu ni endommagé.
- Déconnectez toujours de l'alimentation principale avant de procéder à tout entretien ou remplacement du fusible.
- Ne débranchez jamais cet appareil en tirant sur le cordon.
- Si l'appareil est destiné à être monté en hauteur, veillez à utiliser un support approprié capable de prendre en charge le poids de l'unité. Veillez également à utiliser des élingues de sécurité.
- Ne laissez aucun matériau inflammable à proximité de l'appareil lorsque celui-ci fonctionne.
- Évitez tout contact visuel direct avec la source lumineuse quand cet appareil est en marche
- Ne touchez jamais le boîtier de l'appareil lorsque celui-ci est en fonctionnement car il pourrait s'avérer très chaud.



- Cet appareil n'est pas conçu pour être utilisé dans une installation permanente.
- Cet appareil doit être utilisé en intérieur uniquement ! Il répond à la norme IP20.
- Évitez que l'appareil ne soit exposé à la pluie ou à l'humidité.
- Lorsque vous utilisez l'appareil, veillez à ce que la tension de la source d'alimentation soit comprise dans la plage indiquée sur l'étiquette de consigne ou à l'arrière de l'appareil.
- Ne connectez jamais cet appareil à un gradateur ni à un rhéostat.
- Remplacez son fusible uniquement par un de même type et de même ampérage.
- Installez toujours cet appareil dans un endroit bien ventilé.
- Installez à au moins 50 cm (20 pouces) des surfaces adjacentes.
- Assurez-vous qu'aucune fente de ventilation sur le boîtier de l'appareil ne soit obstruée.
- Ne faites jamais fonctionner l'appareil si la température ambiante dépasse les 40 °C (104 °F).
- Ne transportez jamais l'appareil par son cordon d'alimentation ou toute pièce mobile.
- N'utilisez que le support de fixation pour transporter cet appareil.
- Utilisez toujours les fixations de montage ou de suspension pour soulever ce produit.
- En cas de sérieux problèmes de fonctionnement, arrêtez le système immédiatement.
- N'essayez jamais d'ouvrir ou de réparer cet appareil. Toute réparation effectuée par une personne non qualifiée peut entraîner des dommages ou un fonctionnement erratique de l'appareil.
- Durant les périodes de non-utilisation, pour éviter toute usure inutile et pour prolonger la durée de vie, déconnectez-entièrement l'appareil en le débranchant de l'alimentation électrique ou en coupant le disjoncteur.



## Nous contacter

En dehors des États-Unis, du Royaume-Uni, de l'Irlande, du Benelux, de la France, de l'Allemagne, ou du Mexique, contactez votre fournisseur si vous avez besoin d'assistance ou pour retourner un appareil. Consultez le site [Contact Us](#) pour trouver nos coordonnées.

## Contenu

- Intimidator Spot 260
- Cordon d'alimentation
- Fixation de suspension
- Manuel de référence

## Préalable

Déballiez votre Intimidator Spot 260 et assurez-vous que vous avez reçu toutes les pièces en bon état. Si la boîte et/ou son contenu semble endommagés, contactez immédiatement le transporteur, et non pas Chauvet.

## Alimentation CA

Cet appareil est doté d'une alimentation universelle qui peut prendre en charge toute tension d'entrée comprise entre 100 et 240 VCA, 50/60 Hz.



**Durant les périodes de non-utilisation, pour éviter toute usure inutile et pour prolonger la durée de vie, éteignez complètement l'appareil en le débranchant ou en coupant le disjoncteur.**

## Chaînage électrique

Pour savoir combien de projecteurs Intimidator Spot 260 peuvent être chaînés entre eux au maximum sur du 120 V ou du 240 V, veuillez consulter le manuel de l'utilisateur ou l'étiquette sur l'appareil.

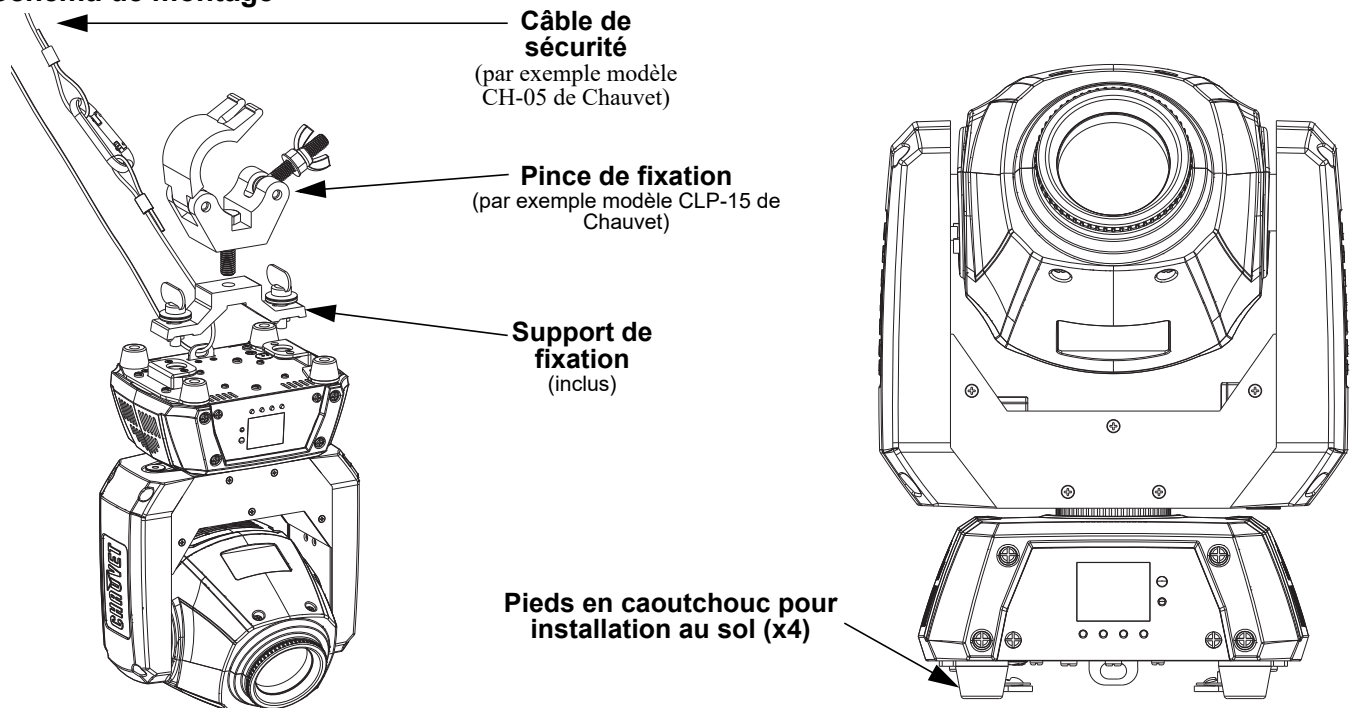
## Remplacement des fusibles

1. Débranchez l'appareil.
2. Calez la pointe d'un tournevis à tête plate dans la fente du porte-fusible.
3. Soulevez le capuchon de sécurité hors du boîtier.
4. Enlevez le fusible grillé logé dans le clip sur le devant du capuchon de sécurité et remplacez-le par un fusible de même type et de même ampérage.
5. Remettez le porte-fusible en place puis rebranchez.

## Montage

Avant de monter cet appareil, veuillez lire les [Consignes de Sécurité](#).

### Schéma de montage



**Description du panneau de commande**

| BOUTON  | FONCTION   |
|---------|--|
| <MENU>  | Permet de sortir du menu ou de la fonction en cours  |
| <UP>    | Permet de naviguer vers le haut dans la liste du menu et d'incrémenter une valeur numérique dans une fonction                        |
| <DOWN>  | Permet de naviguer vers le bas dans la liste du menu et de décrémenter une valeur numérique dans une fonction                        |
| <ENTER> | Active l'entrée de menu actuellement affichée ou confirme la valeur actuellement sélectionnée pour la fonction en cours de sélection |

**Menu carte**

| FONCTION PRINCIPALE | NIVEAUX DE PROGRAMMATION |             | DESCRIPTION   |   |
|---------------------|--------------------------|-------------|---|---|
| Address             | 001-512                  |             | Permet de définir l'adresse DMX de départ                 |   |
|                     | DMX                      | 14CH        | Activation du mode DMX                                    |   |
| 8CH                 |                          |             |   |   |
| Run Mode            | Slave                    | Slave1-4    | Active le mode esclave (1, 2, 3 ou 4)                     |   |
|                     | Auto                     |             | Activation du mode automatique                            |   |
|                     | Sound                    |             | Activation du mode d'activation par la musique.           |   |
|                     | IR                       |             | Activation du contrôle par infra-rouge                    |   |
|                     | Manual                   | Pan         | 000-255   | 0 à 540°  |
|                     |                          | Tilt        |   | 0 à 270°  |
|                     |                          | Color       |   | Sélection des options de couleur                                |
|                     |                          | Gobo        |   | Sélection des options de gobo                                   |
|                     |                          | Gobo Rotate |   | Permet de faire tourner le gobo                                 |
|                     |                          | Prism       |   | Sélection du prisme et effet de rotation                        |
|                     |                          | Focus       |   | Contrôle manuel du focus  |
|                     |                          | Dimmer      |   | Permet de définir la valeur d'assombrissement                   |
|                     |                          | Shutter     |   | Permet de définir la valeur d'obturateur et l'effet stroboscope |
| Setup               | Pan Reverse              | OFF         | Fonctionnement normal du balayage                         |   |
|                     |                          | ON          | Fonctionnement inversé du balayage                        |   |
|                     | Tilt Reverse             | OFF         | Fonctionnement normal du basculement                      |   |
|                     |                          | ON          | Fonctionnement inversé du basculement                     |   |
|                     | Screen Reverse           | OFF         | Affichage normal  |   |
|                     |                          | ON          | Affichage inversé   |   |
|                     | Pan Angle                | 540         | Sélection de la plage de balayage sur un angle de 540°    |   |
|                     |                          | 360         | Sélection de la plage de balayage sur un angle de 360°    |   |
|                     |                          | 180         | Sélection de la plage de balayage sur un angle de 180°    |   |
|                     | Tilt Angle               | 270         | Sélection de la plage de basculement sur un angle de 270° |   |
|                     |                          | 180         | Sélection de la plage de basculement sur un angle de 180° |   |
|                     |                          | 90          | Sélection de la plage de basculement sur un angle de 90°  |   |
|                     | Totem Mode               | OFF         | Mode normal   |   |
|                     |                          | UP          | Balayage et de basculement vers le haut                   |   |
|                     |                          | DOWN        | Balayage et de basculement vers le bas                    |   |
|                     | Sensitivity              | 001-100     | Contrôle de la sensibilité au son                         |   |
|                     | Indicator                | OFF         | Active/désactive le voyant LED                            |   |
|                     |                          | ON          |   |   |

| FONCTION PRINCIPALE | NIVEAUX DE PROGRAMMATION |       | DESCRIPTION  |
|---------------------|--------------------------|-------|--|
| Setup               | Flash if DMX             | OFF   | Le voyant LED clignote lorsque la fonction DMX est activée ou désactivée |
|                     |                          | ON    |  |
|                     | Reset                    |       | Réinitialisation de l'appareil   |
|                     | Factory Set              |       | Chargement des paramètres par défaut                                     |
| Sys Info            | Ver:                     | V_    | Affiche la version du logiciel   |
|                     | Running Mode             | ----- | Affiche le mode d'exécution courant                                      |
|                     | DMX Address              | ---   | Affiche l'adresse DMX courante   |
|                     | Temperature              | ---   | Affiche la température actuelle du produit                               |

### Chaînage DMX

Le Intimidator Spot 260 peut fonctionner avec un contrôleur DMX lorsqu'il est relié par des connexions séries DMX. Les instructions pour la connexion et la configuration de cet appareil pour le fonctionnement en DMX sont indiquées dans le manuel d'utilisation. Si vous n'êtes pas familier avec le protocole DMX, vous pouvez télécharger l'introduction au DMX à l'adresse [www.chauvetdj.com](http://www.chauvetdj.com).

### Adresse de départ

Pour permettre un accès à l'ensemble des canaux de chaque mode DMX, l'adresse DMX maximale recommandée est **505**.

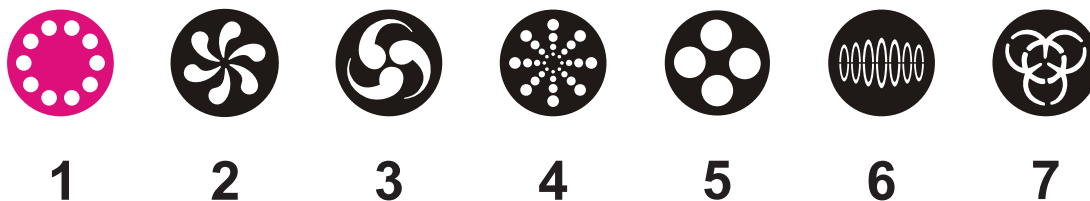
### Connexion maître/esclave

Le Intimidator Spot 260 utilise une connexion de données DMX pour le fonctionnement de son mode maître/esclave. Les instructions pour la connexion et la configuration de cet appareil pour le fonctionnement en maître/esclave sont indiquées dans le manuel d'utilisation.

### IRC-6 (Télécommande par infrarouge)

Le Intimidator Spot 260 est compatible avec la télécommande infra-rouge (IRC-6) de CHAUVET DJ. Pour plus d'informations sur l'IRC-6 ou pour télécharger les instructions, rendez-vous à l'adresse [www.chauvetdj.com](http://www.chauvetdj.com).

### Gobos



### Valeurs DMX

#### 14CH

| CANAL | FONCTION         | VALEUR    | POURCENTAGE/PARAMÉTRAGE                         |
|-------|------------------|-----------|---|
| 1     | Balayage         | 000 ⇄ 255 | 0 à 540°  |
| 2     | Balayage fin     | 000 ⇄ 255 | Contrôle précis du balayage                     |
| 3     | Basculement      | 000 ⇄ 255 | 0 à 270°  |
| 4     | Basculement fin  | 000 ⇄ 255 | Contrôle précis du basculement                  |
| 5     | Vitesse          | 000 ⇄ 255 | Vitesse de balayage/basculement (rapide à lent) |
| 6     | Roue de couleurs | 000 ⇄ 006 | Blanc   |
|       |                  | 007 ⇄ 013 | Orange  |
|       |                  | 014 ⇄ 020 | Vert citron                                     |
|       |                  | 021 ⇄ 027 | Cyan  |
|       |                  | 028 ⇄ 034 | Rouge   |
|       |                  | 035 ⇄ 041 | Vert  |
|       |                  | 042 ⇄ 048 | Magenta   |
|       |                  | 049 ⇄ 055 | Jaune   |

| CANAL     | FONCTION  | VALEUR    | POURCENTAGE/PARAMÉTRAGE   |
|-----------|---|-----------|---|
| 6         | Roue de couleurs                                      | 056 ⇔ 062 | Bleu foncé  |
|           |   | 063 ⇔ 064 | Blanc   |
|           |   | 065 ⇔ 189 | Indexation des couleurs   |
|           |   | 190 ⇔ 221 | Arc-en-ciel de couleur en cycle, rapide à lent                                |
|           |   | 222 ⇔ 223 | Arrêt   |
|           |   | 224 ⇔ 255 | Arc-en-ciel de couleur en cycle inverse, lent à rapide                        |
| 7         | Roue de gobo (Voir la section <a href="#">Gobos</a> ) | 000 ⇔ 007 | Ouvert  |
|           |   | 008 ⇔ 015 | Gobo 1  |
|           |   | 016 ⇔ 023 | Gobo 2  |
|           |   | 024 ⇔ 031 | Gobo 3  |
|           |   | 032 ⇔ 039 | Gobo 4  |
|           |   | 040 ⇔ 047 | Gobo 5  |
|           |   | 048 ⇔ 055 | Gobo 6  |
|           |   | 056 ⇔ 063 | Gobo 7  |
|           |   | 064 ⇔ 071 | Tremblement du gobo 7, lent à rapide  |
|           |   | 072 ⇔ 079 | Tremblement du gobo 6, lent à rapide  |
|           |   | 080 ⇔ 087 | Tremblement du gobo 5, lent à rapide  |
|           |   | 088 ⇔ 095 | Tremblement du gobo 4, lent à rapide  |
|           |   | 096 ⇔ 103 | Tremblement du gobo 3, lent à rapide  |
|           |   | 104 ⇔ 111 | Tremblement du gobo 2, lent à rapide  |
|           |   | 112 ⇔ 119 | Tremblement du gobo 1, lent à rapide  |
|           |   | 120 ⇔ 127 | Ouvert  |
|           |   | 128 ⇔ 189 | Effet de cycle, lent à rapide   |
| 190 ⇔ 193 | Arrêt   |           |   |
| 194 ⇔ 255 | Effet de cycle inversé, lent à rapide                 |           |   |
| 8         | Rotation de Gobo                                      | 001 ⇔ 007 | Aucune fonction   |
|           |   | 008 ⇔ 119 | Rotation, lent à rapide   |
|           |   | 120 ⇔ 231 | Rotation inversé, lent à rapide   |
|           |   | 232 ⇔ 255 | Rebond, lent à rapide   |
| 9         | Prisme  | 000 ⇔ 015 | Aucune fonction   |
|           |   | 016 ⇔ 255 | Prisme à 3 facettes   |
| 10        | Focus   | 000 ⇔ 255 | Focus, grande pour les petites  |
| 11        | Gradateur   | 000 ⇔ 255 | 0 à 100%  |
| 12        | Obturateur  | 000 ⇔ 003 | Fermé   |
|           |   | 004 ⇔ 007 | Ouvert  |
|           |   | 008 ⇔ 076 | Stroboscope, lent à rapide  |
|           |   | 077 ⇔ 145 | Stroboscope à pulsation, lent à rapide  |
|           |   | 146 ⇔ 215 | Stroboscope aléatoire, lent à rapide  |
|           |   | 216 ⇔ 255 | Ouvert  |
| 13        | Fonction  | 000 ⇔ 007 | Aucune fonction   |
|           |   | 008 ⇔ 015 | Noir général pendant mouvement de balayage/basculement                        |
|           |   | 016 ⇔ 023 | Noir général pendant mouvement de roue de couleurs                            |
|           |   | 024 ⇔ 031 | Noir général pendant mouvement de roue de gobos                               |
|           |   | 032 ⇔ 039 | Noir général lors des mouvements de balayage, basculement et roue de couleurs |

| CANAL     | FONCTION                               | VALEUR    | POURCENTAGE/PARAMÉTRAGE  |
|-----------|--|-----------|--|
| 13        | Fonction                               | 040 ⇄ 047 | Noir général lors des mouvements de balayage, basculement et roue de gobos                   |
|           |  | 048 ⇄ 055 | Noir général lors des mouvements de balayage, basculement, roue de couleurs et roue de gobos |
|           |  | 056 ⇄ 095 | Aucune fonction  |
|           |  | 096 ⇄ 103 | Réinitialisation du balayage   |
|           |  | 104 ⇄ 111 | Réinitialisation du basculement  |
|           |  | 112 ⇄ 119 | Réinitialisation de la roue de couleurs  |
|           |  | 120 ⇄ 127 | Réinitialisation de la roue de gobos   |
|           |  | 128 ⇄ 135 | Aucune fonction  |
|           |  | 136 ⇄ 143 | Réinitialisation du prisme   |
|           |  | 144 ⇄ 151 | Réinitialisation de focus  |
|           |  | 152 ⇄ 159 | Réinitialisation de tous   |
|           |  | 160 ⇄ 255 | Aucune fonction  |
| 14        | Macros de mouvements                   | 000 ⇄ 007 | Aucune fonction  |
|           |  | 008 ⇄ 023 | Macro de mouvement 1   |
|           |  | 024 ⇄ 039 | Macro de mouvement 2   |
|           |  | 040 ⇄ 055 | Macro de mouvement 3   |
|           |  | 056 ⇄ 071 | Macro de mouvement 4   |
|           |  | 072 ⇄ 087 | Macro de mouvement 5   |
|           |  | 088 ⇄ 103 | Macro de mouvement 6   |
|           |  | 104 ⇄ 119 | Macro de mouvement 7   |
|           |  | 120 ⇄ 135 | Macro de mouvement 8   |
|           |  | 136 ⇄ 151 | Macro de mouvement activé par le son 1   |
|           |  | 152 ⇄ 167 | Macro de mouvement activé par le son 2   |
|           |  | 168 ⇄ 183 | Macro de mouvement activé par le son 3   |
|           |  | 184 ⇄ 199 | Macro de mouvement activé par le son 4   |
|           |  | 200 ⇄ 215 | Macro de mouvement activé par le son 5   |
|           |  | 216 ⇄ 231 | Macro de mouvement activé par le son 6   |
|           |  | 232 ⇄ 247 | Macro de mouvement activé par le son 7   |
| 248 ⇄ 255 | Macro de mouvement activé par le son 8 |           |  |

**08CH**

| CANAL | FONCTION         | VALEUR    | POURCENTAGE/PARAMÉTRAGE |
|-------|------------------|-----------|-------------------------|
| 1     | Balayage         | 000 ⇄ 255 | 0 à 540°                |
| 2     | Basculement      | 000 ⇄ 255 | 0 à 270°                |
| 3     | Roue de couleurs | 000 ⇄ 006 | Blanc                   |
|       |                  | 007 ⇄ 013 | Orange                  |
|       |                  | 014 ⇄ 020 | Vert citron             |
|       |                  | 021 ⇄ 027 | Cyan                    |
|       |                  | 028 ⇄ 034 | Rouge                   |
|       |                  | 035 ⇄ 041 | Vert                    |
|       |                  | 042 ⇄ 048 | Magenta                 |
|       |                  | 049 ⇄ 055 | Jaune                   |
|       |                  | 056 ⇄ 062 | Bleu foncé              |
|       |                  | 063 ⇄ 064 | Blanc                   |

| CANAL     | FONCTION  | VALEUR    | POURCENTAGE/PARAMÉTRAGE                                |
|-----------|---|-----------|--|
| 3         | Roue de couleurs                                      | 065 ⇔ 189 | Indexation des couleurs                                |
|           |   | 190 ⇔ 221 | Arc-en-ciel de couleur en cycle, rapide à lent         |
|           |   | 222 ⇔ 223 | Arrêt  |
|           |   | 224 ⇔ 255 | Arc-en-ciel de couleur en cycle inverse, lent à rapide |
| 4         | Roue de gobo (Voir la section <a href="#">Gobos</a> ) | 000 ⇔ 007 | Ouvert   |
|           |   | 008 ⇔ 015 | Gobo 1   |
|           |   | 016 ⇔ 023 | Gobo 2   |
|           |   | 024 ⇔ 031 | Gobo 3   |
|           |   | 032 ⇔ 039 | Gobo 4   |
|           |   | 040 ⇔ 047 | Gobo 5   |
|           |   | 048 ⇔ 055 | Gobo 6   |
|           |   | 056 ⇔ 063 | Gobo 7   |
|           |   | 064 ⇔ 071 | Tremblement du gobo 7, lent à rapide                   |
|           |   | 072 ⇔ 079 | Tremblement du gobo 6, lent à rapide                   |
|           |   | 080 ⇔ 087 | Tremblement du gobo 5, lent à rapide                   |
|           |   | 088 ⇔ 095 | Tremblement du gobo 4, lent à rapide                   |
|           |   | 096 ⇔ 103 | Tremblement du gobo 3, lent à rapide                   |
|           |   | 104 ⇔ 111 | Tremblement du gobo 2, lent à rapide                   |
|           |   | 112 ⇔ 119 | Tremblement du gobo 1, lent à rapide                   |
|           |   | 120 ⇔ 127 | Ouvert   |
|           |   | 128 ⇔ 189 | Effet de cycle, lent à rapide                          |
|           |   | 190 ⇔ 193 | Arrêt  |
| 194 ⇔ 255 | Effet de cycle inversé, lent à rapide                 |           |  |
| 5         | Rotation de Gobo                                      | 001 ⇔ 007 | Aucune fonction  |
|           |   | 008 ⇔ 119 | Rotation, lent à rapide                                |
|           |   | 120 ⇔ 231 | Rotation inversé, lent à rapide                        |
|           |   | 232 ⇔ 255 | Rebond, lent à rapide                                  |
| 6         | Prisme  | 000 ⇔ 003 | Aucune fonction  |
|           |   | 004 ⇔ 006 | Prisme à 3 facettes                                    |
| 7         | Focus   | 000 ⇔ 255 | Focus, grande pour les petites                         |
| 8         | Obturbateur   | 000 ⇔ 003 | Fermé  |
|           |   | 004 ⇔ 007 | Ouvert   |
|           |   | 008 ⇔ 076 | Stroboscope, lent à rapide                             |
|           |   | 077 ⇔ 145 | Stroboscope à pulsation, lent à rapide                 |
|           |   | 146 ⇔ 215 | Stroboscope aléatoire, lent à rapide                   |
| 216 ⇔ 255 | Ouvert  |           |  |

## Über diese Schnellanleitung

In der Schnellanleitung des Intimidator Spot 260 finden Sie die wesentlichen Produktinformationen, wie etwa über die Montage, Menüoptionen und DMX-Werte des Geräts. Laden Sie für weiterführende Informationen unter [www.chauvetdj.com](http://www.chauvetdj.com) das Benutzerhandbuch herunter.

### Haftungsausschluss

Die in dieser Anleitung aufgeführten Informationen und Spezifikationen können ohne vorherige Ankündigung geändert werden.

### EINGESCHRÄNKTE GARANTIE

**ZUR REGISTRIERUNG FÜR GARANTIEANSPRÜCHE UND ZUR EINSICHT IN DIE VOLLSTÄNDIGEN GESCHÄFTSBEDINGUNGEN BESUCHEN SIE BITTE UNSERE WEBSITE.**

Für Kunden in den USA und in Mexiko: [www.chauvetlighting.com/warranty-registration](http://www.chauvetlighting.com/warranty-registration)

Für Kunden im Vereinigten Königreich, in Irland, Belgien, den Niederlanden, Luxemburg, Frankreich und Deutschland: [www.chauvetlighting.eu/warranty-registration/](http://www.chauvetlighting.eu/warranty-registration/)

Chauvet garantiert für die in der auf unserer Website veröffentlichten vollständigen eingeschränkten Garantie genannten Dauer und unter Vorbehalt der darin genannten Haftungsausschlüsse und -beschränkungen, dass dieses Produkt bei normalen Gebrauch frei von Material- und Verarbeitungsfehlern ist. Diese Garantie erstreckt sich nur auf den Erstkäufer des Produkts und ist nicht übertragbar. Zur Ausübung der unter dieser Garantie gewährten Rechte ist der Kaufbeleg in Form der Originalrechnung von einem autorisierten Händler vorzulegen, in der die Produktbezeichnung und das Kaufdatum vermerkt sein müssen. **ES BESTEHEN KEINE WEITEREN AUSDRÜCKLICHEN ODER STILLSCHWEIGENDEN GARANTIEN.** Diese Garantie gibt Ihnen besondere gesetzliche Rechte. Und Sie haben möglicherweise weitere Rechte, die von Land zu Land unterschiedlich sein können. Diese Garantie ist nur in den USA, im Vereinigten Königreich, in Irland, Belgien, den Niederlanden, Luxemburg, Frankreich, Deutschland und Mexiko gültig. Bezüglich der Garantiebestimmungen in anderen Ländern wenden Sie sich bitte an Ihren lokalen Händler.

### Sicherheitshinweise

Diese Sicherheitshinweise enthalten wichtige Informationen über die Montage, Verwendung und Wartung des Geräts.



- Schließen Sie dieses Gerät immer an die Masse an, um die Gefahr elektrischer Schläge zu reduzieren.
- Stellen Sie sicher, dass das Netzkabel nicht gequetscht oder beschädigt ist.
- Trennen Sie das Gerät immer von der Stromquelle, bevor Sie es reinigen oder die Sicherung austauschen.
- Ziehen Sie beim Trennen des Geräts von der Stromversorgung nie am Kabel.
- Verwenden Sie für die Montage des Geräts über Kopf immer ordnungsgemäße Sicherheitskabel und stellen Sie sicher, dass dieses dessen Gewicht tragen kann.
- Stellen Sie sicher, dass das Gerät mit einem Sicherheitsabstand zu entzündlichen Materialien betrieben wird.
- Bei eingeschaltetem Gerät direkten Augenkontakt mit der Lichtquelle vermeiden.
- Niemals während des Betriebs das Gehäuse berühren, da dies sehr heiß wird.
- Dieses Produkt eignet sich nicht für eine permanente Installation.
- Dieses Gerät darf nur im Innenbereich verwendet werden. Es entspricht dem Standard IP 20.
- Das Gerät nicht Regen oder Feuchtigkeit aussetzen.
- Vergewissern Sie sich, dass die Spannung der Schukosteckdose, an die Sie das Gerät anschließen, sich innerhalb des Spannungsbereiches befindet, der auf dem Hinweisschild oder dem rückwärtigen Bedienfeld des Produkts angegeben ist.
- Schließen Sie dieses Produkt niemals an einen Dimmer oder Regelwiderstand an.
- Achten Sie beim Auswechseln der Sicherung darauf, immer den gleichen Typ mit den gleichen Werten zu verwenden.



- Installieren Sie das Gerät immer an einem Ort mit ausreichender Belüftung.
- Installieren Sie das Gerät mit einem Abstand des Produkts zu den angrenzenden Flächen von 50 cm.
- Stellen Sie sicher, dass die Lüftungsöffnungen am Gehäuse des Geräts nicht verschlossen sind.
- Betreiben Sie das Gerät nicht bei einer maximalen Umgebungstemperatur von mehr als 104 °F (40 °C).
- Tragen Sie das Produkt niemals am Netzkabel oder einem beweglichen Geräteteil.
- Heben Sie das Produkt nur am Hänge-/Befestigungsbügel an.
- Das Produkt darf nur am Befestigungsbügel getragen werden.
- Bei ernsthaften Betriebsproblemen stoppen Sie umgehend die Verwendung des Geräts.



- Versuchen Sie nie selbst, dieses Produkt zu reparieren. Reparaturen müssen von entsprechend geschultem Fachpersonal durchgeführt werden, da sonst Schäden oder Fehlfunktionen auftreten können.
- Um unnötigen Verschleiß zu vermeiden und die Lebensdauer des Geräts zu verlängern, trennen Sie während längerer Perioden des Nichtgebrauchs das Gerät vom Stromnetz – entweder per Trennschalter oder durch Herausziehen des Steckers aus der Steckdose.

## Kontakt

Kunden außerhalb der USA, GB, Irland, Benelux, Frankreich, Deutschland oder Mexiko wenden sich an ihren Lieferanten, um den Kundensupport in Anspruch zu nehmen oder ein Produkt zurückzuschicken. Kontaktinformationen finden Sie unter [Contact Us](#).

## Packungsinhalt

- Intimidator Spot 260
- Netzkabel
- Hängebügel
- Schnellanleitung

## Start

Packen Sie Ihren Intimidator Spot 260 aus und überprüfen Sie, ob Sie alle Teile unbeschädigt erhalten haben. Wenn die Verpackung beschädigt ist, benachrichtigen Sie umgehend das Transportunternehmen, nicht jedoch Chauvet.

## Wechselstrom

Dieses Gerät verfügt über ein Vorschaltgerät, das automatisch die anliegende Spannung erkennt, sobald der Netzstecker in die Schukosteckdose gesteckt wird, und kann mit einer Eingangsspannung von 100~240 V AC, 50/60 Hz arbeiten.



**Um unnötigen Verschleiß zu vermeiden und die Lebensdauer des Geräts zu verlängern, trennen Sie während längerer Perioden des Nichtgebrauchs das Gerät vom Stromnetz – entweder per Trennschalter oder durch Herausziehen des Steckers aus der Steckdose.**

## Serienschaltung der Geräte

Informationen zur maximalen Anzahl der Intimidator Spot 260-Geräte, die bei 120 V oder 240 V in Serie geschaltet werden können, finden Sie in der Bedienungsanleitung oder auf dem Typenschild am Gerät.

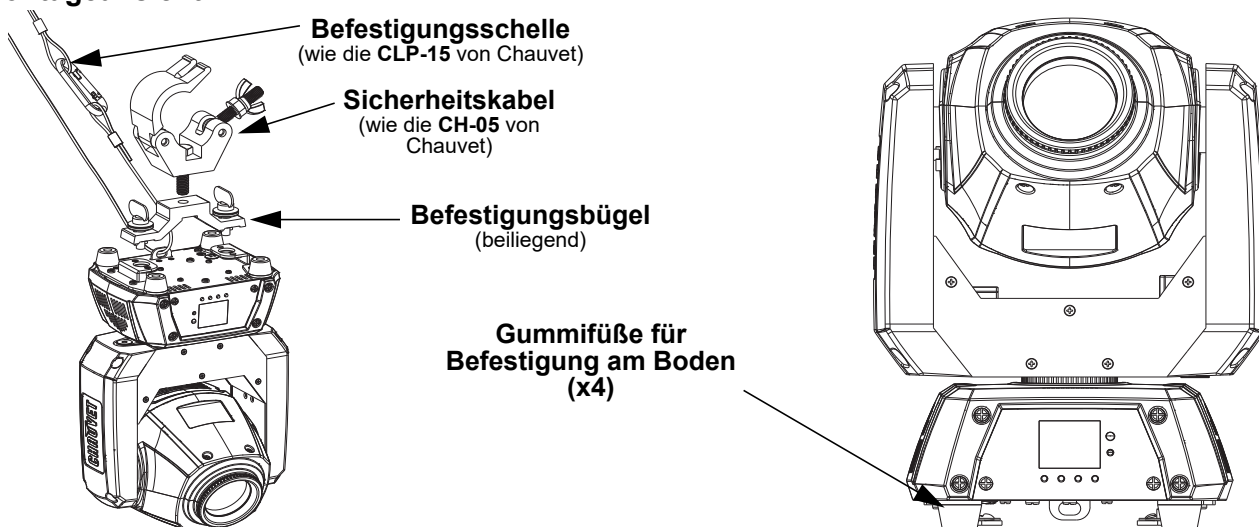
## Auswechseln der Sicherung

1. Trennen Sie das Gerät vom Stromnetz.
2. Klemmen Sie die Spitze eines Flachkopfschraubendrehers in den Schlitz des Sicherungshalters.
3. Hebeln Sie die Sicherheitsabdeckung vom Gehäuse ab.
4. Entfernen Sie die durchgebrannte Sicherung von der Klemme am Vorderteil der Sicherheitsabdeckung, und ersetzen Sie diese durch eine Sicherung des gleichen Typs und mit den gleichen Werten.
5. Stecken Sie den Sicherungshalter wieder zurück, und schließen Sie das Gerät an das Stromnetz an.

## Montage

Lesen Sie vor der Montage dieses Geräts in jedem Fall die [Sicherheitshinweise](#).

### Montageansicht





**Beschreibung des Bedienfeldes**

| TASTE   | FUNKTION   |
|---------|--|
| <MENU>  | Wählt einen Betriebsmodus oder verlässt die aktuelle Menüoption  |
| <UP>    | Damit navigieren Sie durch die Menüpunkte nach oben und erhöhen den numerischen Wert der entsprechenden Funktionen     |
| <DOWN>  | Damit navigieren Sie durch die Menüpunkte nach unten und verringern den numerischen Wert der entsprechenden Funktionen |
| <ENTER> | Aktiviert eine Menüoption oder einen ausgewählten Wert   |

**Menükarte**

| MAIN LEVEL   | PROGRAMMING LEVELS                            |   | DESCRIPTION   |  |
|--------------|---|---|---|--|
| Address      | 001–512                                       |   | Stellt die DMX-Startadresse ein                           |  |
| Run Mode     | DMX   | 14CH  | Wählt den DMX-Modus aus                                   |  |
|              |   | 08CH  |   |  |
|              | Slave   | Slave1–4  |   | Wählt den Slave-Modus 1, 2, 3 oder 4 aus |
|              |   | Auto  |   | Wählt den Auto-Modus aus                 |
|              |   | Sound   |   | Wählt den Musiksteuerungs-Modus aus      |
|              |   | IR  |   | Wählt eine Infrarot-Steuerung            |
|              | Manual  | 000–255   | Pan   | 0 bis 540°                               |
|              |   |   | Tilt  | 0 bis 270°                               |
|              |   |   | Color   | Wählt Farboptionen aus                   |
|              |   |   | Gobo  | Wählt Gobooptionen aus                   |
|              |   |   | Gobo Rotate   | Rotiert Gobos                            |
|              |   |   | Prism   | Wählt Prisma und Rotationseffekt         |
| Focus        |   |   | Manuelle Steuerung des Fokus                              |  |
| Dimmer       |   |   | Stellt den Dimmerwert ein                                 |  |
| Shutter      | Stellt Shutter-Wert und Stroboskop-Effekt ein |   |   |  |
| Setup        | Pan Reverse                                   | OFF   | Normaler Schwenk-Modus                                    |  |
|              |   | ON  | Umgekehrter Schwenk-Modus                                 |  |
|              | Tilt Reverse                                  | OFF   | Normaler Neigungs-Modus                                   |  |
|              |   | ON  | Umgekehrter Neigungs-Modus                                |  |
|              | Screen Reverse                                | OFF   | Normale Anzeige   |  |
|              |   | ON  | Umgekehrte Anzeige  |  |
|              | Pan Angle                                     | 540   | Wählt den 540°-Schwenkwinkelbereich aus                   |  |
|              |   | 360   | Wählt den 360°-Schwenkwinkelbereich aus                   |  |
|              |   | 180   | Wählt den 180°-Schwenkwinkelbereich aus                   |  |
|              | Tilt Angle                                    | 270   | Wählt den 270°-Neigungswinkelbereich aus                  |  |
|              |   | 180   | Wählt den 180°-Neigungswinkelbereich aus                  |  |
|              |   | 90  | Wählt den 90°-Neigungswinkelbereich aus                   |  |
|              | Totem Mode                                    | OFF   | Normaler Modus  |  |
|              |   | UP  | Wählt den Schwenkungs- und Neigungsbereich nach oben aus  |  |
|              |   | DOWN  | Wählt den Schwenkungs- und Neigungsbereich nach unten aus |  |
|              | Sensitivity                                   | 001–100   | Musikempfindlichkeitssteuerung                            |  |
|              | Indicator                                     | OFF   | Schaltet LED-Kontrollleuchte ein/aus                      |  |
|              |   | ON  |   |  |
| Flash if DMX | OFF   | Die LED-Kontrollleuchte blinkt, wenn DMX ein- oder ausgeschaltet wird |   |  |
|              | ON  |   |   |  |
| Reset        |   | Setzt das Gerät zurück  |   |  |
| Factory Set  |   | Lädt Werkseinstellung   |   |  |

| MAIN LEVEL | PROGRAMMING LEVELS |       | DESCRIPTION                             |
|------------|--------------------|-------|---|
| Sys Info   | Ver:               | V_    | Zeigt die Software-Version an           |
|            | Running Mode       | ----- | Zeigt den aktuellen Betriebsmodus an    |
|            | DMX Address        | ---   | Zeigt die aktuelle DMX-Adresse an       |
|            | Temperature        | ---   | Zeigt die aktuelle Produkttemperatur an |

### DMX-Verbindung

Der Intimidator Spot 260 kann mit einem DMX-Controller betrieben werden, wenn eine DMX-Serienschaltung zum Einsatz kommt. Anweisungen zum Zusammenschluss und der Konfiguration dieses Geräts für den Betrieb im DMX-Modus finden Sie im Benutzerhandbuch. Wenn Sie mit DMX nicht vertraut sind, laden Sie "DMX - Eine Einführung" unter [www.chauvetdj.com](http://www.chauvetdj.com).

### Startadresse

Um einen vollständigen Zugang zu allen Kanälen in jedem DMX-Modus zu gewährleisten, beträgt die höchste empfohlene DMX-Adresse **505**.

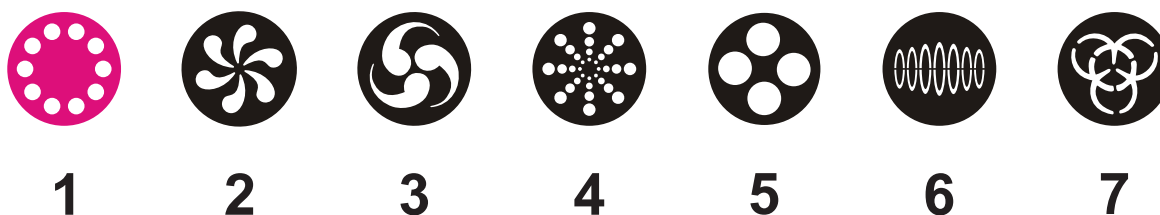
### Master/Slave-Schaltung

Der Intimidator Spot 260 verwendet für seinen Master/Slave-Modus eine DMX-Datenverbindung. Anweisungen zum Zusammenschluss und der Konfiguration dieses Geräts für den Betrieb im Master/Slave-Modus finden Sie im Benutzerhandbuch.

### IRC-6 (Infrarot-Fernbedienung)

Der Intimidator Spot 260 ist vollständig kompatibel mit der Infrarot-Fernbedienung (IRC-6) von CHAUVET DJ. Weitere Informationen zur IRC-6 oder herunterladbare Anweisungen finden Sie unter [www.chauvetdj.com](http://www.chauvetdj.com).

### Gobos



### DMX-Werte

#### 14CH

| KANAL     | FUNKTION   | WERT      | PROZENT/EINSTELLUNG   |
|-----------|--|-----------|---|
| 1         | Schwenkung   | 000 ⇔ 255 | 0 bis 540°  |
| 2         | Schwenkung fein  | 000 ⇔ 255 | Feinkontrolle der Schwenkung  |
| 3         | Neigung  | 000 ⇔ 255 | 0 bis 270°  |
| 4         | Neigung fein   | 000 ⇔ 255 | Feinkontrolle der Neigung   |
| 5         | Geschwindigkeit  | 000 ⇔ 255 | Geschwindigkeit der Schwenkungs- und Neigungsbewegung (schnell bis langsam) |
| 6         | Farbrad  | 000 ⇔ 006 | Weiß  |
|           |  | 007 ⇔ 013 | Orange  |
|           |  | 014 ⇔ 020 | Neongrün  |
|           |  | 021 ⇔ 027 | Cyan  |
|           |  | 028 ⇔ 034 | Rot   |
|           |  | 035 ⇔ 041 | Grün  |
|           |  | 042 ⇔ 048 | Magenta   |
|           |  | 049 ⇔ 055 | Gelb  |
|           |  | 056 ⇔ 062 | Dunkelblau  |
|           |  | 063 ⇔ 064 | Weiß  |
|           |  | 065 ⇔ 189 | Farbindizierung   |
|           |  | 190 ⇔ 221 | Regenbogenfarben kreiseln, schnell bis langsam                              |
|           |  | 222 ⇔ 223 | Anhalten  |
| 224 ⇔ 255 | Regenbogenfarben kreiseln umgekehrt, langsam bis schnell |           |   |

| KANAL     | FUNKTION   | WERT      | PROZENT/EINSTELLUNG  |
|-----------|--|-----------|--|
| 7         | Goborad (siehe Abschnitt <a href="#">Gobos</a> )         | 000 ⇔ 007 | Offen  |
|           |  | 008 ⇔ 015 | Gobo 1   |
|           |  | 016 ⇔ 023 | Gobo 2   |
|           |  | 024 ⇔ 031 | Gobo 3   |
|           |  | 032 ⇔ 039 | Gobo 4   |
|           |  | 040 ⇔ 047 | Gobo 5   |
|           |  | 048 ⇔ 055 | Gobo 6   |
|           |  | 056 ⇔ 063 | Gobo 7   |
|           |  | 064 ⇔ 071 | Gobo 7 Shake, langsam bis schnell                                |
|           |  | 072 ⇔ 079 | Gobo 6 Shake, langsam bis schnell                                |
|           |  | 080 ⇔ 087 | Gobo 5 Shake, langsam bis schnell                                |
|           |  | 088 ⇔ 095 | Gobo 4 Shake, langsam bis schnell                                |
|           |  | 096 ⇔ 103 | Gobo 3 Shake, langsam bis schnell                                |
|           |  | 104 ⇔ 111 | Gobo 2 Shake, langsam bis schnell                                |
|           |  | 112 ⇔ 119 | Gobo 1 Shake, langsam bis schnell                                |
|           |  | 120 ⇔ 127 | Offen  |
| 128 ⇔ 189 | Kreiseffekt, langsam bis schnell                         |           |  |
| 190 ⇔ 193 | Anhalten   |           |  |
| 194 ⇔ 255 | Kreiseffekt in umgekehrter Richtung, langsam bis schnell |           |  |
| 8         | Gobo Rotation  | 001 ⇔ 007 | Keine Funktion   |
|           |  | 008 ⇔ 119 | Rotationseffekt, langsam bis schnell                             |
|           |  | 120 ⇔ 231 | Umgekehrter Rotationseffekt, langsam bis schnell                 |
|           |  | 232 ⇔ 255 | Bounce-Effekt, langsam bis schnell                               |
| 9         | Prisma   | 000 ⇔ 003 | Keine Funktion   |
|           |  | 004 ⇔ 006 | 3-Facetten-Prisma  |
| 10        | Fokus  | 000 ⇔ 255 | Fokus, groß bis klein  |
| 11        | Dimmer   | 000 ⇔ 255 | 0 bis 100%   |
| 12        | Shutter  | 000 ⇔ 003 | Geschlossen  |
|           |  | 004 ⇔ 007 | Offen  |
|           |  | 008 ⇔ 076 | Blitzfrequenz (von langsam nach schnell)                         |
|           |  | 077 ⇔ 145 | Pulse-Strobe, langsam nach schnell                               |
|           |  | 146 ⇔ 215 | Zufalls-Strobe, langsam nach schnell                             |
|           |  | 216 ⇔ 255 | Offen  |
| 13        | Funktionen   | 000 ⇔ 007 | Keine Funktion   |
|           |  | 008 ⇔ 015 | Verdunkelung bei Schwenkungs-/Neigungsbewegung                   |
|           |  | 016 ⇔ 023 | Verdunkelung bei Farbradbewegung                                 |
|           |  | 024 ⇔ 031 | Verdunkelung bei Goboradbewegung                                 |
|           |  | 032 ⇔ 039 | Verdunkelung bei Schwenkungs-/Neigungs-/Farbradbewegung          |
|           |  | 040 ⇔ 047 | Verdunkelung bei Schwenkungs-/Neigungs-/Goboradbewegung          |
|           |  | 048 ⇔ 055 | Verdunkelung bei Schwenkungs-/Neigungs-/Farbrad-/Goboradbewegung |
|           |  | 056 ⇔ 095 | Keine Funktion   |
|           |  | 096 ⇔ 103 | Schwenkung zurücksetzen  |
|           |  | 104 ⇔ 111 | Neigung zurücksetzen   |
| 112 ⇔ 119 | Farbrad zurücksetzen                                     |           |  |

| KANAL | FUNKTION        | WERT      | PROZENT/EINSTELLUNG                  |
|-------|-----------------|-----------|--------------------------------------|
| 13    | Funktionen      | 120 ⇔ 127 | Goborad zurücksetzen                 |
|       |                 | 128 ⇔ 135 | Keine Funktion                       |
|       |                 | 136 ⇔ 143 | Prisma zurücksetzen                  |
|       |                 | 144 ⇔ 151 | Fokus und Zoom zurücksetzen          |
|       |                 | 152 ⇔ 159 | Alle zurücksetzen                    |
|       |                 | 160 ⇔ 255 | Keine Funktion                       |
| 14    | Makrobewegungen | 000 ⇔ 007 | Keine Funktion                       |
|       |                 | 008 ⇔ 023 | Makrobewegungen 1                    |
|       |                 | 024 ⇔ 039 | Makrobewegungen 2                    |
|       |                 | 040 ⇔ 055 | Makrobewegungen 3                    |
|       |                 | 056 ⇔ 071 | Makrobewegungen 4                    |
|       |                 | 072 ⇔ 087 | Makrobewegungen 5                    |
|       |                 | 088 ⇔ 103 | Makrobewegungen 6                    |
|       |                 | 104 ⇔ 119 | Makrobewegungen 7                    |
|       |                 | 120 ⇔ 135 | Makrobewegungen 8                    |
|       |                 | 136 ⇔ 151 | Makro für Musikgesteuerte Bewegung 1 |
|       |                 | 152 ⇔ 167 | Makro für Musikgesteuerte Bewegung 2 |
|       |                 | 168 ⇔ 183 | Makro für Musikgesteuerte Bewegung 3 |
|       |                 | 184 ⇔ 199 | Makro für Musikgesteuerte Bewegung 4 |
|       |                 | 200 ⇔ 215 | Makro für Musikgesteuerte Bewegung 5 |
|       |                 | 216 ⇔ 231 | Makro für Musikgesteuerte Bewegung 6 |
|       |                 | 232 ⇔ 247 | Makro für Musikgesteuerte Bewegung 7 |
|       |                 | 248 ⇔ 255 | Makro für Musikgesteuerte Bewegung 8 |

08CH

| KANAL | FUNKTION   | WERT      | PROZENT/EINSTELLUNG                                      |
|-------|--|-----------|--|
| 1     | Schwenkung                                       | 000 ⇔ 255 | 0 bis 540°   |
| 2     | Neigung  | 000 ⇔ 255 | 0 bis 270°   |
| 3     | Farbrad  | 000 ⇔ 006 | Weiß   |
|       |  | 007 ⇔ 013 | Orange   |
|       |  | 014 ⇔ 020 | Neongrün   |
|       |  | 021 ⇔ 027 | Cyan   |
|       |  | 028 ⇔ 034 | Rot  |
|       |  | 035 ⇔ 041 | Grün   |
|       |  | 042 ⇔ 048 | Magenta  |
|       |  | 049 ⇔ 055 | Gelb   |
|       |  | 056 ⇔ 062 | Dunkelblau   |
|       |  | 063 ⇔ 064 | Weiß   |
|       |  | 065 ⇔ 189 | Farbindizierung  |
|       |  | 190 ⇔ 221 | Regenbogenfarben kreiseln, schnell bis langsam           |
|       |  | 222 ⇔ 223 | Anhalten   |
|       |  | 224 ⇔ 255 | Regenbogenfarben kreiseln umgekehrt, langsam bis schnell |
| 4     | Goborad (siehe Abschnitt <a href="#">Gobos</a> ) | 000 ⇔ 007 | Offen  |
|       |  | 008 ⇔ 015 | Gobo 1   |
|       |  | 016 ⇔ 023 | Gobo 2   |
|       |  | 024 ⇔ 031 | Gobo 3   |

| KANAL | FUNKTION   | WERT      | PROZENT/EINSTELLUNG                                      |
|-------|--|-----------|--|
| 4     | Goborad (siehe Abschnitt <a href="#">Gobos</a> ) | 032 ⇄ 039 | Gobo 4   |
|       |  | 040 ⇄ 047 | Gobo 5   |
|       |  | 048 ⇄ 055 | Gobo 6   |
|       |  | 056 ⇄ 063 | Gobo 7   |
|       |  | 064 ⇄ 071 | Gobo 7 Shake, langsam bis schnell                        |
|       |  | 072 ⇄ 079 | Gobo 6 Shake, langsam bis schnell                        |
|       |  | 080 ⇄ 087 | Gobo 5 Shake, langsam bis schnell                        |
|       |  | 088 ⇄ 095 | Gobo 4 Shake, langsam bis schnell                        |
|       |  | 096 ⇄ 103 | Gobo 3 Shake, langsam bis schnell                        |
|       |  | 104 ⇄ 111 | Gobo 2 Shake, langsam bis schnell                        |
|       |  | 112 ⇄ 119 | Gobo 1 Shake, langsam bis schnell                        |
|       |  | 120 ⇄ 127 | Offen  |
|       |  | 128 ⇄ 189 | Kreiseffekt, langsam bis schnell                         |
|       |  | 190 ⇄ 193 | Anhalten   |
|       |  | 194 ⇄ 255 | Kreiseffekt in umgekehrter Richtung, langsam bis schnell |
| 5     | Gobo Rotation                                    | 001 ⇄ 007 | Keine Funktion   |
|       |  | 008 ⇄ 119 | Rotationseffekt, langsam bis schnell                     |
|       |  | 120 ⇄ 231 | Umgekehrter Rotationseffekt, langsam bis schnell         |
|       |  | 232 ⇄ 255 | Bounce-Effekt, langsam bis schnell                       |
| 6     | Prisma   | 000 ⇄ 003 | Keine Funktion   |
|       |  | 004 ⇄ 006 | 3-Facetten-Prisma  |
| 7     | Fokus  | 000 ⇄ 255 | Fokus, groß bis klein                                    |
| 8     | Shutter  | 000 ⇄ 003 | Geschlossen  |
|       |  | 004 ⇄ 007 | Offen  |
|       |  | 008 ⇄ 076 | Blitzfrequenz (von langsam nach schnell)                 |
|       |  | 077 ⇄ 145 | Pulse-Strobe, langsam nach schnell                       |
|       |  | 146 ⇄ 215 | Zufalls-Strobe, langsam nach schnell                     |
|       |  | 216 ⇄ 255 | Offen  |

## Informazioni sulla Guida

La Guida Rapida Intimidator Spot 260 contiene informazioni di base sul prodotto quali montaggio, opzioni menù e valori DMX. Per maggiori dettagli, scaricare il Manuale Utente dal sito [www.chauvetdj.com](http://www.chauvetdj.com).

### Esclusione di responsabilità

Le informazioni e le specifiche contenute in questa guida possono essere modificate senza preavviso.

### GARANZIA LIMITATA

**PER LA REGISTRAZIONE DELLA GARANZIA ED I TERMINI E CONDIZIONI COMPLETI VISITARE IL NOSTRO SITO WEB**

Per clienti di Stati Uniti e Messico consultare: [www.chauvetlighting.com/warranty-registration](http://www.chauvetlighting.com/warranty-registration)

Per clienti di Regno Unito, Repubblica di Irlanda, Belgio, Paesi Bassi, Lussemburgo, Francia e Germania: [www.chauvetlighting.eu/warranty-registration/](http://www.chauvetlighting.eu/warranty-registration/)

Chauvet garantisce che i propri prodotti, in condizioni di utilizzo normale, sono esenti da difetti di materiali e manodopera, per il periodo specificato e con le esclusioni e limitazioni riportate nella garanzia integrale limitata sul proprio sito Web. Tale garanzia si applica soltanto all'acquirente originario del prodotto e non può essere trasferita. Per esercitare i propri diritti secondo i termini della presente garanzia è necessario fornire prova dell'acquisto sotto forma di ricevuta o fattura originale di un distributore autorizzato che riporti chiaramente il nome del prodotto e la data di acquisto. **NON SONO PREVISTE ALTRE GARANZIE ESPRESSE O IMPLICITE.** Questa garanzia prevede diritti legali specifici. È comunque possibile avere altri diritti che variano da stato a stato e da paese a paese. Questa garanzia si applica soltanto negli Stati Uniti, Regno Unito, Repubblica di Irlanda, Belgio, Paesi Bassi, Lussemburgo, Francia, Germania e Messico. Per i termini di garanzia vigenti in altri paesi si prega di consultare il distributore locale.

### Note di Sicurezza

Le Note di Sicurezza includono informazioni importanti circa il montaggio, l'uso e la manutenzione.



- Per evitare il rischio di folgorazione, collegare sempre ad un circuito dotato di messa a terra.
- Assicurarci che il cavo di alimentazione non sia piegato o danneggiato.
- Prima di effettuare la pulizia o sostituire il fusibile, scollegare l'unità dell'alimentazione elettrica.
- Non scollegare mai l'unità dall'alimentazione elettrica tirando o strattando il cavo.
- Quando si monta l'unità in alto, assicurarsi che il supporto sia in grado di sorreggerne il peso ed utilizzare sempre un cavo di sicurezza.
- Assicurarci che non vi sia materiale infiammabile vicino all'unità durante il funzionamento.
- Quando l'unità è in funzione, evitare l'esposizione diretta degli occhi alla sorgente luminosa.
- Non toccare il contenitore dell'unità durante il funzionamento perché potrebbe essere molto caldo.



- L'apparecchiatura non è progettata per installazione permanente.
- L'unità deve essere utilizzata soltanto in interni! Questo prodotto è classificato IP20.
- Non esporre l'unità alla pioggia o all'umidità.
- Accertarsi che la tensione di alimentazione della presa elettrica cui si collega l'apparecchiatura si trovi entro il campo specificato sull'etichetta o sul pannello posteriore.
- Non collegare mai ad un dimmer o ad un reostato.
- Sostituire il fusibile solo con un altro dello stesso tipo e classe.
- Montare l'unità in posizione ben ventilata.
- Montare l'unità ad almeno 50 cm. (20") da qualsiasi superficie.
- Non bloccare le aperture di ventilazione del contenitore.
- Non utilizzare l'unità in ambienti con temperatura superiore a 40 °C (104 °F).
- Non trasportare mai l'unità tenendola dal cavo di alimentazione o qualsiasi parte mobile.
- Per trasportare l'unità, utilizzare solo la staffa di montaggio.
- In caso di gravi problemi di funzionamento sospendere immediatamente l'utilizzo.
- Non aprire o tentare di riparare l'unità. Interventi eseguiti da personale non specializzato possono causare danni o malfunzionamenti.
- Per evitare un consumo inutile ed aumentare la durata, durante i periodi di non utilizzo disconnettere completamente il prodotto dall'alimentazione con l'interruttore o scollegando il cavo.

### Contatti

Per richiedere assistenza o restituire l'apparecchiatura, al di fuori di Stati Uniti, Regno Unito, Irlanda, Benelux, Francia, Germania, o Messico contattare il distributore locale. Per informazioni sui contatti, visitare il sito Web [Contact Us](#).

### Che cosa è incluso

- Intimidator Spot 260
- Cavo di alimentazione
- Staffa per montaggio
- Guida Rapida

### Per iniziare

Disimballare Intimidator Spot 260 ed accertarsi di aver ricevuto tutti i componenti integri. Se l'imballo appare danneggiato, farlo immediatamente presente al trasportatore e non a Chauvet.

### Alimentazione CA

Questa unità è dotata di alimentatore a commutazione automatica con tensione in ingresso di 100–240 V CA, 50/60 Hz.



Per evitarne l'eccessiva usura e migliorarne la durata nel tempo, scollegare l'unità dalla presa elettrica o disattivare l'alimentazione tramite l'apposito interruttore, se inutilizzata per lunghi periodi.

### Collegamento

Per il numero massimo di unità collegabili in cascata a 120 V oppure a 240 V, fare riferimento al Manuale Utente o alla targhetta collocata sul prodotto.

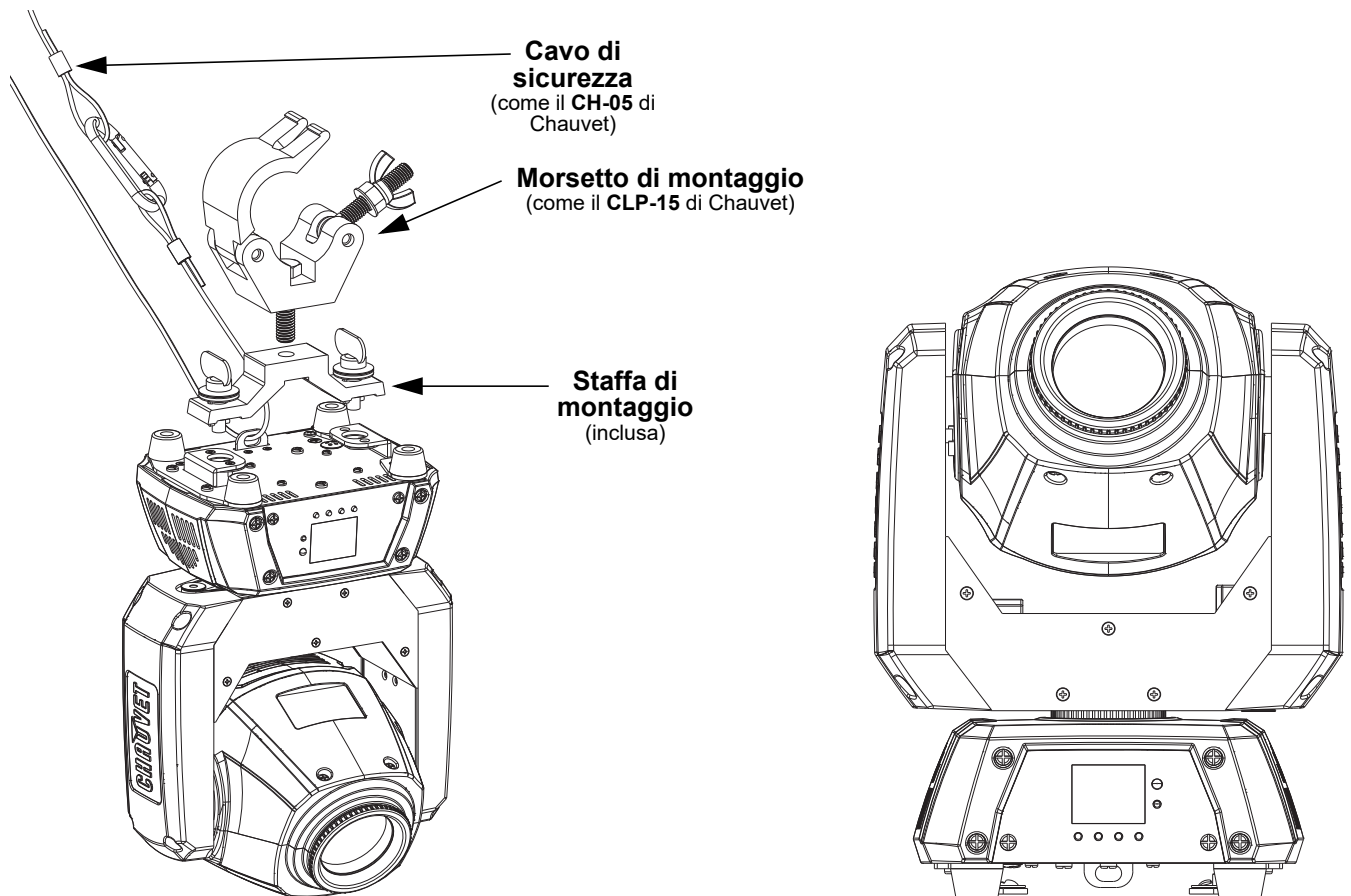
### Sostituzione fusibile

1. Scollegare l'alimentazione elettrica dall'unità.
2. Inserire la punta di un giravite a testa piatta nella fessura ell'alloggiamento del fusibile.
3. Rimuovere dall'alloggiamento il cappello di sicurezza.
4. Rimuovere il fusibile bruciato dalla clip sulla parte anteriore del cappello di sicurezza e sostituirlo con uno identico.
5. Reinserire il portafusibile e ricollegare l'alimentazione elettrica.

### Montaggio

Prima di montare l'unità, leggere le [Note di Sicurezza](#).

### Schema di montaggio



## Descrizione del pannello di controllo

| PULSANTE | FUNZIONE  |
|----------|---|
| <MENU>   | Consente di uscire dal menù o dalla funzione corrente   |
| <UP>     | Consente di spostarsi verso l'alto nell'elenco menù e di aumentare il valore numerico all'interno di una funzione   |
| <DOWN>   | Consente di spostarsi verso il basso nell'elenco menù e di diminuire il valore numerico all'interno di una funzione |
| <ENTER>  | Consente di attivare il menù visualizzato o impostare il valore selezionato nella funzione selezionata              |

## Mappa menu

| LIVELLO PRINCIPALE | LIVELLI DI PROGRAMMAZIONE | DESCRIZIONE                                 |   |   |
|--------------------|---------------------------|---|---|---|
| Address            | 001-512                   | Imposta l'indirizzo DMX iniziale            |   |   |
| Run Mode           | DMX                       | 14CH  | Seleziona la modalità DMX                                   |   |
|                    |                           | 08CH  |   |   |
|                    | Slave                     | Slave1-4                                    | Seleziona la modalità Slave 1, 2, 3 o 4                     |   |
|                    |                           | Auto  | Seleziona la modalità Automatica                            |   |
|                    |                           | Sound                                       | Seleziona la modalità Attivazione sonora                    |   |
|                    |                           | IR  | Seleziona il controllo a infrarossi                         |   |
|                    | Manual                    | 000-255                                     | Pan   | da 0 a 540°                             |
|                    |                           |   | Tilt  | da 0 a 270°                             |
|                    |                           |   | Color   | Seleziona le opzioni colore             |
|                    |                           |   | Gobo  | Seleziona le opzioni gobo               |
|                    |                           |   | Gobo Rotate   | Fa ruotare il gobo                      |
|                    |                           |   | Prism   | Seleziona il prisma e effetto rotazione |
|                    |                           |   | Focus   | Controllo manuale della messa a fuoco   |
| Dimmer             |                           |   | Imposta il valore dimmer                                    |   |
|                    | Shutter                   | Imposta valore otturatore ed effetto strobo |   |   |
| Setup              | Pan Reverse               | OFF   | Funzionamento in rotazione normale                          |   |
|                    |                           | ON  | Funzionamento in rotazione inversa                          |   |
|                    | Tilt Reverse              | OFF   | Funzionamento in brandeggio normale                         |   |
|                    |                           | ON  | Funzionamento in brandeggio inverso                         |   |
|                    | Screen Reverse            | OFF   | Visualizzazione normale                                     |   |
|                    |                           | ON  | Visualizzazione inversa                                     |   |
|                    | Pan Angle                 | 540   | Seleziona l'angolo di rotazione di 540°                     |   |
|                    |                           | 360   | Seleziona l'angolo di rotazione di 360°                     |   |
|                    |                           | 180   | Seleziona l'angolo di rotazione di 180°                     |   |
|                    | Tilt Angle                | 270   | Seleziona l'angolo di brandeggio di 270°                    |   |
|                    |                           | 180   | Seleziona l'angolo di brandeggio di 180°                    |   |
|                    |                           | 90  | Seleziona l'angolo di brandeggio di 90°                     |   |
|                    | Totem Mode                | OFF   | Modalità normale  |   |
|                    |                           | UP  | Seleziona l'angolo di rotazione e brandeggio verso l'alto   |   |
|                    |                           | DOWN  | Seleziona l'angolo di rotazione e brandeggio verso il basso |   |
|                    | Sensitivity               | 001-100                                     | Controllo sensibilità sonora                                |   |
|                    | Indicator                 | OFF   | Attiva/Disattiva l'indicatore a LED                         |   |
| ON                 |                           |   |   |   |



| LIVELLO PRINCIPALE | LIVELLI DI PROGRAMMAZIONE |       | DESCRIZIONE  |
|--------------------|---------------------------|-------|--|
| Setup              | Flash if DMX              | OFF   | L'indicatore a LED lampeggia quando si attiva/disattiva il DMX |
|                    |                           | ON    |  |
|                    | Reset                     |       | Reimposta l'unità  |
|                    | Factory Set               |       | Carica le impostazioni standard                                |
| Sys Info           | Ver:                      | V_    | Visualizza la versione del software                            |
|                    | Running Mode              | ----- | Visualizza la modalità di funzionamento corrente               |
|                    | DMX Address               | ---   | Visualizza l'indirizzo DMX corrente                            |
|                    | Temperature               | ---   | Visualizza la temperatura del prodotto corrente                |

## Collegamento DMX

Intimidator Spot 260 può funzionare con un controller DMX quando collegato tramite connessioni seriali DMX. Le istruzioni per il collegamento e la configurazione di questa unità sono contenute nel Manuale Utente. Se non si ha familiarità con il DMX, scaricare DMX Primer all'indirizzo [www.chauvetdj.com](http://www.chauvetdj.com).

### Indirizzo iniziale

Per assicurare il completo accesso a tutti i canali in ciascuna modalità DMX, l'indirizzo maggiormente raccomandato è **505**.

### Collegamento Master/Slave

In modalità Master/Slave, Intimidator Spot 260 utilizza il collegamento dati DMX. Le istruzioni per il collegamento e la configurazione di questa unità per il funzionamento Master/Slave sono contenute nel Manuale Utente.

### IRC-6 (Telecomando a infrarossi)

Intimidator Spot 260 è totalmente compatibile con il Telecomando a infrarossi (IRC-6) di CHAUVET DJ. Per maggiori informazioni sul Telecomando a infrarossi, o per scaricarlo le relative istruzioni, visitare il sito Web [www.chauvetdj.com](http://www.chauvetdj.com).

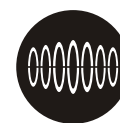
### Gobos


**1**

**2**

**3**

**4**

**5**

**6**

**7**

### Valori DMX

#### 14CH

| CANALE | FUNZIONE        | VALORE    | PERCENTUALE/IMPOSTAZIONE                          |
|--------|-----------------|-----------|---|
| 1      | Rotazione       | 000 ⇄ 255 | Da 0 a 540°                                       |
| 2      | Rotazione fine  | 000 ⇄ 255 | Controllo fine della rotazione                    |
| 3      | Brandeggio      | 000 ⇄ 255 | Da 0 a 270°                                       |
| 4      | Brandeggio fine | 000 ⇄ 255 | Controllo fine del brandeggio                     |
| 5      | Velocità        | 000 ⇄ 255 | Velocità rotazione/brandeggio (da rapida a lenta) |
| 6      | Color Wheel     | 000 ⇄ 006 | Bianco  |
|        |                 | 007 ⇄ 013 | Arancione   |
|        |                 | 014 ⇄ 020 | Verde lime  |
|        |                 | 021 ⇄ 027 | Ciano   |
|        |                 | 028 ⇄ 034 | Rosso   |
|        |                 | 035 ⇄ 041 | Verde   |
|        |                 | 042 ⇄ 048 | Magenta   |
|        |                 | 049 ⇄ 055 | Giallo  |
|        |                 | 056 ⇄ 062 | Blu scuro   |
|        |                 | 063 ⇄ 064 | Bianco  |
|        |                 | 065 ⇄ 189 | Indicizzazione colori                             |

| CANALE    | FUNZIONE                                   | VALORE    | PERCENTUALE/IMPOSTAZIONE  |
|-----------|--|-----------|---|
| 6         | Color Wheel                                | 190 ⇔ 221 | Arcobaleno ciclico, da veloce a lento   |
|           |  | 222 ⇔ 223 | Fermarsi  |
|           |  | 224 ⇔ 255 | Arcobaleno ciclico inverso, da lento a veloce                                   |
| 7         | Ruota gobo (vedere <a href="#">Gobos</a> ) | 000 ⇔ 007 | Aperto  |
|           |  | 008 ⇔ 015 | Gobo 1  |
|           |  | 016 ⇔ 023 | Gobo 2  |
|           |  | 024 ⇔ 031 | Gobo 3  |
|           |  | 032 ⇔ 039 | Gobo 4  |
|           |  | 040 ⇔ 047 | Gobo 5  |
|           |  | 048 ⇔ 055 | Gobo 6  |
|           |  | 056 ⇔ 063 | Gobo 7  |
|           |  | 064 ⇔ 071 | Oscillazione gobo 7, da lenta a veloce  |
|           |  | 072 ⇔ 079 | Oscillazione gobo 6, da lenta a veloce  |
|           |  | 080 ⇔ 087 | Oscillazione gobo 5, da lenta a veloce  |
|           |  | 088 ⇔ 095 | Oscillazione gobo 4, da lenta a veloce  |
|           |  | 096 ⇔ 103 | Oscillazione gobo 3, da lenta a veloce  |
|           |  | 104 ⇔ 111 | Oscillazione gobo 2, da lenta a veloce  |
|           |  | 112 ⇔ 119 | Oscillazione gobo 1, da lenta a veloce  |
|           |  | 120 ⇔ 127 | Aperto  |
|           |  | 128 ⇔ 189 | Effetto ciclico, da lenta a veloce  |
| 190 ⇔ 193 | Fermarsi                                   |           |   |
| 194 ⇔ 255 | Effetto ciclico inverso, da lenta a veloce |           |   |
| 8         | Rotazione Gobo                             | 001 ⇔ 007 | Nessuna funzione  |
|           |  | 008 ⇔ 119 | Rotazione, da lento a veloce  |
|           |  | 120 ⇔ 231 | Rotazione inversa, da lenta a veloce  |
|           |  | 232 ⇔ 255 | Rimbalzo, da lento a veloce   |
| 9         | Prisma                                     | 000 ⇔ 003 | Nessuna funzione  |
|           |  | 004 ⇔ 006 | Prisma a 3 facce  |
| 10        | Messa a fuoco                              | 000 ⇔ 255 | Messa a fuoco, grande a piccolo   |
| 11        | Dimmer                                     | 000 ⇔ 255 | Da 0 a 100%   |
| 12        | Otturatore                                 | 000 ⇔ 003 | Chiuso  |
|           |  | 004 ⇔ 007 | Aperto  |
|           |  | 008 ⇔ 076 | Stroboscopio, da lento a veloce   |
|           |  | 077 ⇔ 145 | Stroboscopio a impulso, da lento a veloce                                       |
|           |  | 146 ⇔ 215 | Stroboscopio casuale, da lento a veloce   |
|           |  | 216 ⇔ 255 | Aperto  |
| 13        | Funzione                                   | 000 ⇔ 007 | Nessuna funzione  |
|           |  | 008 ⇔ 015 | Oscuramento su rotazione/brandeggio   |
|           |  | 016 ⇔ 023 | Oscuramento su movimento ruota colore   |
|           |  | 024 ⇔ 031 | Oscuramento su movimento ruota gobo   |
|           |  | 032 ⇔ 039 | Oscuramento su rotazione/brandeggio/movimento ruota colore                      |
|           |  | 040 ⇔ 047 | Oscuramento su rotazione/brandeggio/movimento ruota gobo                        |
|           |  | 048 ⇔ 055 | Oscuramento su rotazione/brandeggio/movimento ruota colore/movimento ruota gobo |
| 056 ⇔ 095 | Nessuna funzione                           |           |   |

| CANALE    | FUNZIONE                             | VALORE    | PERCENTUALE/IMPOSTAZIONE             |
|-----------|--------------------------------------|-----------|--------------------------------------|
| 13        | Funzione                             | 096 ⇄ 103 | Reimpostazione rotazione             |
|           |                                      | 104 ⇄ 111 | Reimpostazione brandeggio            |
|           |                                      | 112 ⇄ 119 | Reimpostazione ruota colore          |
|           |                                      | 120 ⇄ 127 | Reimpostazione ruota gobo            |
|           |                                      | 128 ⇄ 135 | Nessuna funzione                     |
|           |                                      | 136 ⇄ 143 | Reimpostazione prisma                |
|           |                                      | 144 ⇄ 151 | Reimpostazione messa a fuoco         |
|           |                                      | 152 ⇄ 159 | Reimpostazione di tutti              |
|           |                                      | 160 ⇄ 255 | Nessuna funzione                     |
| 14        | Macro di movimento                   | 000 ⇄ 007 | Nessuna funzione                     |
|           |                                      | 008 ⇄ 023 | Macro di movimento 1                 |
|           |                                      | 024 ⇄ 039 | Macro di movimento 2                 |
|           |                                      | 040 ⇄ 055 | Macro di movimento 3                 |
|           |                                      | 056 ⇄ 071 | Macro di movimento 4                 |
|           |                                      | 072 ⇄ 087 | Macro di movimento 5                 |
|           |                                      | 088 ⇄ 103 | Macro di movimento 6                 |
|           |                                      | 104 ⇄ 119 | Macro di movimento 7                 |
|           |                                      | 120 ⇄ 135 | Macro di movimento 8                 |
|           |                                      | 136 ⇄ 151 | Macro movimento attivazione sonora 1 |
|           |                                      | 152 ⇄ 167 | Macro movimento attivazione sonora 2 |
|           |                                      | 168 ⇄ 183 | Macro movimento attivazione sonora 3 |
|           |                                      | 184 ⇄ 199 | Macro movimento attivazione sonora 4 |
|           |                                      | 200 ⇄ 215 | Macro movimento attivazione sonora 5 |
|           |                                      | 216 ⇄ 231 | Macro movimento attivazione sonora 6 |
|           |                                      | 232 ⇄ 247 | Macro movimento attivazione sonora 7 |
| 248 ⇄ 255 | Macro movimento attivazione sonora 8 |           |                                      |

**08CH**

| CANALE    | FUNZIONE                                      | VALORE    | PERCENTUALE/IMPOSTAZIONE              |
|-----------|---|-----------|---------------------------------------|
| 1         | Rotazione                                     | 000 ⇄ 255 | Da 0 a 540°                           |
| 2         | Brandeggio                                    | 000 ⇄ 255 | Da 0 a 540°                           |
| 3         | Color Wheel                                   | 000 ⇄ 006 | Bianco                                |
|           |   | 007 ⇄ 013 | Arancione                             |
|           |   | 014 ⇄ 020 | Verde lime                            |
|           |   | 021 ⇄ 027 | Ciano                                 |
|           |   | 028 ⇄ 034 | Rosso                                 |
|           |   | 035 ⇄ 041 | Verde                                 |
|           |   | 042 ⇄ 048 | Magenta                               |
|           |   | 049 ⇄ 055 | Giallo                                |
|           |   | 056 ⇄ 062 | Blu scuro                             |
|           |   | 063 ⇄ 064 | Bianco                                |
|           |   | 065 ⇄ 189 | Indicizzazione colori                 |
|           |   | 190 ⇄ 221 | Arcobaleno ciclico, da veloce a lento |
|           |   | 222 ⇄ 223 | Fermarsi                              |
| 224 ⇄ 255 | Arcobaleno ciclico inverso, da lento a veloce |           |                                       |

| CANALE    | FUNZIONE                                   | VALORE    | PERCENTUALE/IMPOSTAZIONE                  |
|-----------|--|-----------|---|
| 4         | Ruota gobo (vedere <a href="#">Gobos</a> ) | 000 ⇔ 007 | Aperto                                    |
|           |  | 008 ⇔ 015 | Gobo 1                                    |
|           |  | 016 ⇔ 023 | Gobo 2                                    |
|           |  | 024 ⇔ 031 | Gobo 3                                    |
|           |  | 032 ⇔ 039 | Gobo 4                                    |
|           |  | 040 ⇔ 047 | Gobo 5                                    |
|           |  | 048 ⇔ 055 | Gobo 6                                    |
|           |  | 056 ⇔ 063 | Gobo 7                                    |
|           |  | 064 ⇔ 071 | Oscillazione gobo 7, da lenta a veloce    |
|           |  | 072 ⇔ 079 | Oscillazione gobo 6, da lenta a veloce    |
|           |  | 080 ⇔ 087 | Oscillazione gobo 5, da lenta a veloce    |
|           |  | 088 ⇔ 095 | Oscillazione gobo 4, da lenta a veloce    |
|           |  | 096 ⇔ 103 | Oscillazione gobo 3, da lenta a veloce    |
|           |  | 104 ⇔ 111 | Oscillazione gobo 2, da lenta a veloce    |
|           |  | 112 ⇔ 119 | Oscillazione gobo 1, da lenta a veloce    |
|           |  | 120 ⇔ 127 | Aperto                                    |
|           |  | 128 ⇔ 189 | Effetto ciclico, da lenta a veloce        |
| 190 ⇔ 193 | Fermarsi                                   |           |   |
| 194 ⇔ 255 | Effetto ciclico inverso, da lenta a veloce |           |   |
| 5         | Rotazione Gobo                             | 001 ⇔ 007 | Nessuna funzione                          |
|           |  | 008 ⇔ 119 | Rotazione, da lento a veloce              |
|           |  | 120 ⇔ 231 | Rotazione inversa, da lenta a veloce      |
|           |  | 232 ⇔ 255 | Rimbalzo, da lento a veloce               |
| 6         | Prisma                                     | 000 ⇔ 003 | Nessuna funzione                          |
|           |  | 004 ⇔ 006 | Prisma a 3 facce                          |
| 7         | Messa a fuoco                              | 000 ⇔ 255 | Messa a fuoco, grande a piccolo           |
| 8         | Otturatore                                 | 000 ⇔ 003 | Chiuso                                    |
|           |  | 004 ⇔ 007 | Aperto                                    |
|           |  | 008 ⇔ 076 | Stroboscopio, da lento a veloce           |
|           |  | 077 ⇔ 145 | Stroboscopio a impulso, da lento a veloce |
|           |  | 146 ⇔ 215 | Stroboscopio casuale, da lento a veloce   |
|           |  | 216 ⇔ 255 | Aperto                                    |

## Over deze handleiding

De Intimidator Spot 260 Beknopte Handleiding (BH) bevat basisinformatie over het product, zoals montage, menu-opties en DMX-waarden. Download de gebruikershandleiding op [www.chauvetdj.com](http://www.chauvetdj.com) voor meer informatie.

### Disclaimer

De informatie en specificaties in deze BH kunnen zonder voorafgaande kennisgeving worden gewijzigd.

### BEPERKTE GARANTIE

#### GA NAAR ONZE WEBSITE VOOR REGISTRATIE VAN DE GARANTIE EN DE VOLLEDIGE ALGEMENE VOORWAARDEN.

Voor klanten in de Verenigde Staten en Mexico: [www.chauvetlighting.com/warranty-registration](http://www.chauvetlighting.com/warranty-registration)

Voor klanten in het Verenigd Koninkrijk, Ierland, België, Nederland, Luxemburg, Frankrijk en Duitsland: [www.chauvetlighting.eu/warranty-registration/](http://www.chauvetlighting.eu/warranty-registration/)

Chauvet garandeert dat dit product bij normaal gebruik vrij zal blijven van defecten in materiaal en vakmanschap, voor de opgegeven periode en onder voorbehoud van de uitzonderingen en beperkingen die zijn uiteengezet in de volledige beperkte garantie op onze website. Deze garantie geldt uitsluitend voor de oorspronkelijke koper van het product en is niet overdraagbaar. Om onder deze garantie rechten uit te oefenen, moet u een aankoopbewijs overleggen in de vorm van een origineel verkoopbewijs van een geautoriseerde dealer, waarop de naam van het product en de aankoopdatum zichtbaar zijn. ER ZIJN GEEN ANDERE EXPLICIETE OF IMPLICIETE GARANTIES. Deze garantie geeft u specifieke wettelijke rechten. Mogelijk heeft u ook andere rechten die van staat tot staat en van land tot land verschillen. Deze garantie is uitsluitend geldig in de Verenigde Staten, het Verenigd Koninkrijk, Ierland, België, Nederland, Luxemburg, Frankrijk, Duitsland en Mexico. Neem contact op met uw lokale verkoper voor garantievoorwaarden in andere landen.

### Veiligheidsinstructies

Deze veiligheidsinstructies bevatten belangrijke informatie over de installatie, het gebruik en het onderhoud.



- Sluit het product altijd aan op een geaard circuit.
- Zorg ervoor dat het netsnoer niet is gekrompen of beschadigd.
- Haal altijd het product uit het stopcontact voordat u het reinigt of de zekering vervangt.
- Ontkoppel het product nooit uit het stopcontact door aan het snoer te trekken.
- Als de montage van het product boven uw hoofd is, zorg ervoor dat er voldoende steun voor het gewicht van het product is en zet altijd het product vast met behulp van een veiligheidskabel.
- Zorg ervoor dat er geen brandbare materialen in de buurt van het product zijn wanneer het in werking is.
- Vermijd direct oogcontact met de lichtbron, terwijl het product aan staat.
- Raak de behuizing van het product niet aan wanneer het product aan staat, omdat de behuizing erg heet kan zijn.



- Het product is niet bedoeld voor permanente installatie.
- Het product is alleen geschikt voor binnenshuis gebruik. Het wordt begroot op IP20.
- Stel het product niet bloot aan regen of vocht.
- Sluit het product altijd op een stroombron aan die het voltage vermeld op het etiket of achterpaneel van het product.
- Sluit het product nooit op een dimmer of een regelbare weerstand.
- Zorg ervoor dat u de zekering vervangt door één van hetzelfde type.
- Installeer het product altijd op een plaats met voldoende ventilatie.
- Laat altijd minstens 20 inch (50 cm) tussen het product en de aangrenzende oppervlakken.
- Wees er zeker van dat er geen ventilatiesleuven op de behuizing van het product worden geblokkeerd.
- Gebruik het product niet bij een omgevingstemperatuur hoger dan 104 °F (40 °C).
- Draag het product nooit aan het netsnoer of een bewegend deel.
- Gebruik altijd de bevestigingsklem/hangbeugel om het product op te tillen.
- Als zich een ernstige operationele probleem voordoet, stop dan onmiddellijk met het gebruik van het product.
- Probeer nooit het product te repareren. Reparaties uitgevoerd door ongetrainde mensen kan leiden tot schade of storingen.
- Sluit om onnodige slijtage te verhinderen en de levensduur te verlengen tijdens periodes van niet-gebruik het product via stroomonderbreker of de stekker volledig van stroom af.

## Contact

Van buiten de VS, Verenigd Koninkrijk, Ierland, Benelux, Frankrijk, Duitsland of Mexico kunt u contact opnemen met de distributeur of om ondersteuning vragen dan wel het product retourneren. Ga naar [Contact Us](#) voor contactinformatie.

## Wat is inbegrepen

- Intimidator Spot 260
- Stroomsnoer
- Hangbeugel
- Beknopte handleiding

## Om te beginnen

Pak uw Intimidator Spot 260 uit en zorg ervoor dat u alle onderdelen in goede staat hebt ontvangen. Als de doos of inhoud beschadigd lijkt, stel dan de vervoerder onmiddellijk op de hoogte, niet Chauvet.

## AC-stroom

Dit product heeft een voeding met automatisch bereik die werkt met een ingangsspanning van 100–240 VAC, 50/60 Hz.



**Om onnodige slijtage te elimineren en zijn levensduur te verlengen, gedurende perioden wanneer het product niet wordt gebruikt, moet u het product afsluiten door een aardlekschakelaar om te zetten of door het te ontkoppelen.**

## Power Linking

Voor het maximale aantal Intimidator Spot 260-producten die via power link kunnen worden gekoppeld bij elke spanning, ziet u de gebruikershandleiding of de sticker op het product.

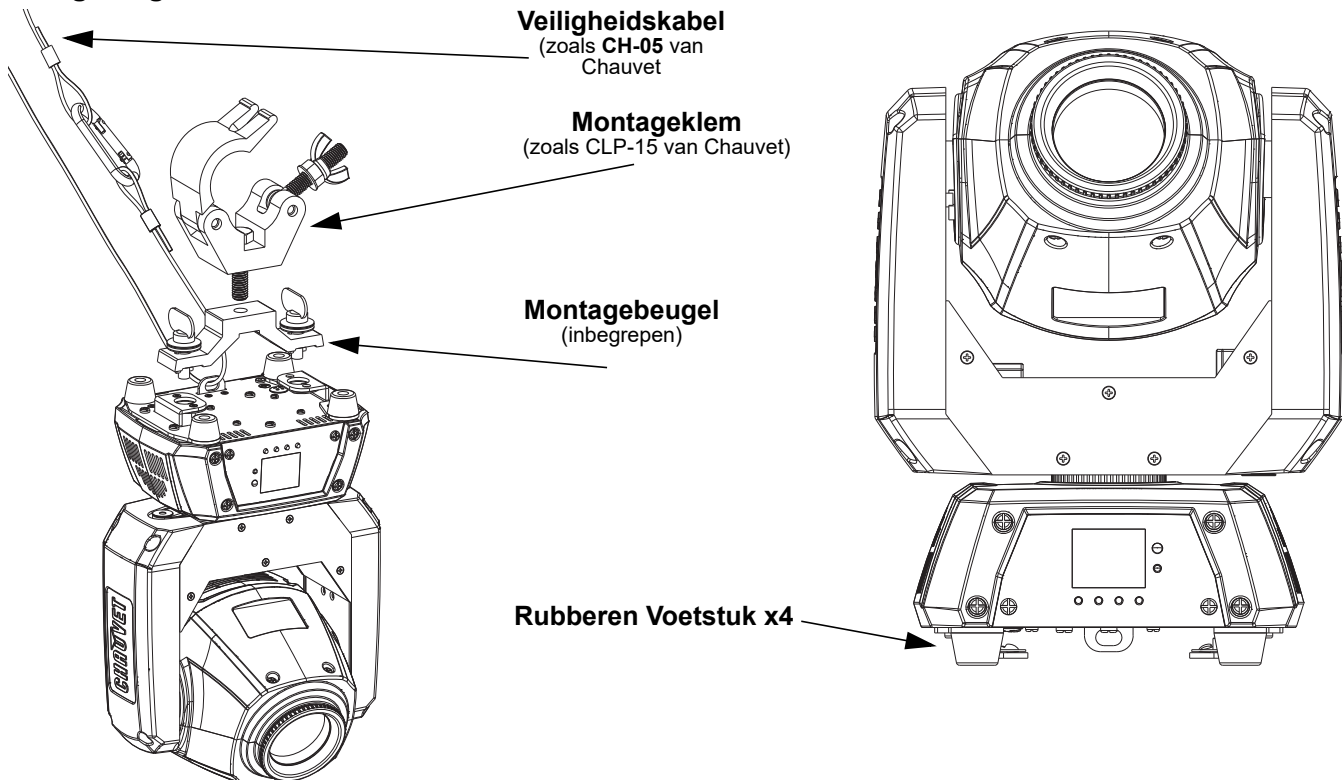
## Fuse Replacement

1. Ontkoppel het apparaat van de stroom.
2. Wig de punt van een platte schroevendraaier in de sleuf van de zekeringhouder.
3. Druk de beveiligingskap uit de behuizing.
4. Verwijder de doorgebrande zekering vanaf de clip aan de voorkant van de veiligheidsafdekking en vervang deze door een zekering van exact hetzelfde type.
5. Plaats de zekeringhouder terug en steek de stekker er weer in.

## Montage

Lees alvorens dit product te monteren alle [Veiligheidsinstructies](#).

### Montagediagram



**Beschrijving bedieningspaneel**

| TOETS   | FUNCTIE  |
|---------|--|
| <MENU>  | Sluit het huidige menu of functie af   |
| <UP>    | Navigeert omhoog via het menu of verhoogt de numerieke waarde wanneer in een functie                       |
| <DOWN>  | Navigeert omlaag via het menu of verlaagt de numerieke waarde wanneer in een functie                       |
| <ENTER> | Activeert het huidige getoonde menu of plaatst de huidige geselecteerde waarde in de geselecteerde functie |

**Menukaart**

| HOOFD-FUNCTIE       | PROGRAMMEERNIVEAUS                           |   | BESCHRIJVING                                      |                                |
|---------------------|--|---|---|--------------------------------|
| <b>Address</b>      | <b>001–512</b>                               |   | Stelt het DMX-startadres in                       |                                |
| <b>Run Mode</b>     | <b>DMX</b>                                   | <b>14CH</b>                                     | Selecteert de DMX-modus                           |                                |
|                     |  | <b>08CH</b>                                     |   |                                |
|                     | <b>Slave</b>                                 | <b>Slave1–4</b>                                 | Selecteert de Slave-modus 1, 2, 3 of 4            |                                |
|                     | <b>Auto</b>                                  |   | Selecteert de automatische modus                  |                                |
|                     | <b>Sound</b>                                 |   | Selecteert geluidsactieve modus                   |                                |
|                     | <b>IR</b>                                    |   | Selecteert infrarode bediening                    |                                |
|                     | <b>Manual</b>                                | <b>Pan</b>                                      | <b>000–255</b>                                    | 0 tot 540°                     |
|                     |  | <b>Tilt</b>                                     |   | 0 tot 270°                     |
|                     |  | <b>Color</b>                                    |   | Selecteert de kleuropties      |
|                     |  | <b>Gobo</b>                                     |   | Selecteert lichtscherms-opties |
| <b>Gobo Rotate</b>  |  | Roterend lichtscherms                           |   |                                |
| <b>Prism</b>        |  | Selecteert prisma en rotatie-effect             |   |                                |
| <b>Focus</b>        |  | Handmatige focus-bediening                      |   |                                |
| <b>Dimmer</b>       |  | Stelt dim-waarde in                             |   |                                |
| <b>Shutter</b>      | Stelt de sluitingswaarde en de fitswaarde in |   |   |                                |
| <b>Setup</b>        | <b>Pan Reverse</b>                           | <b>OFF</b>                                      | Normale zwenkbediening                            |                                |
|                     |  | <b>ON</b>                                       | Omgekeerde zwenkbediening                         |                                |
|                     | <b>Tilt Reverse</b>                          | <b>OFF</b>                                      | Normale kantelbediening                           |                                |
|                     |  | <b>ON</b>                                       | Omgekeerde kantelbediening                        |                                |
|                     | <b>Screen Reverse</b>                        | <b>OFF</b>                                      | Normale weergave                                  |                                |
|                     |  | <b>ON</b>                                       | Omgekeerde weergave                               |                                |
|                     | <b>Pan Angle</b>                             | <b>540</b>                                      | Selecteert het 540° zwenkhoekbereik               |                                |
|                     |  | <b>360</b>                                      | Selecteert het 360° zwenkhoekbereik               |                                |
|                     |  | <b>180</b>                                      | Selecteert het 180° zwenkhoekbereik               |                                |
|                     | <b>Tilt Angle</b>                            | <b>270</b>                                      | Selecteert het 270° kantelhoekbereik              |                                |
|                     |  | <b>180</b>                                      | Selecteert het 180° kantelhoekbereik              |                                |
|                     |  | <b>90</b>                                       | Selecteert het 90° kantelhoekbereik               |                                |
|                     | <b>Totem Mode</b>                            | <b>OFF</b>                                      | Normale modus                                     |                                |
|                     |  | <b>UP</b>                                       | Selecteert het opwaartse zwenk- en kantelbereik   |                                |
|                     |  | <b>DOWN</b>                                     | Selecteert het neerwaartse zwenk- en kantelbereik |                                |
|                     | <b>Sensitivity</b>                           | <b>001–100</b>                                  | Bediening van de geluidsgevoeligheid              |                                |
|                     | <b>Indicator</b>                             | <b>OFF</b>                                      | Activeert/deactiveert de LED-indicator            |                                |
| <b>ON</b>           |  |   |   |                                |
| <b>Flash if DMX</b> | <b>OFF</b>                                   | LED knippert wanneer DMX AAN of UIT gezet wordt |   |                                |
|                     | <b>ON</b>                                    |   |   |                                |
| <b>Reset</b>        |  |   | Herstelt het product                              |                                |
| <b>Factory Set</b>  |  |   | Laadt de fabrieksinstellingen                     |                                |

| HOOFD-FUNCTIE | PROGRAMMEERNIVEAUS |       | BESCHRIJVING                        |
|---------------|--------------------|-------|-------------------------------------|
| Sys Info      | Ver:               | V_    | Toont de softwareversie             |
|               | Running Mode       | ----- | Toont de huidige bedrijfsmodus      |
|               | DMX Address        | ---   | Toont het huidige DMX-adres         |
|               | Temperature        | ---   | Toont de huidige producttemperatuur |

## DMX-koppeling

De Intimidator Spot 260 kan met een DMX-regelaar werken, indien gekoppeld door seriële DMX-verbindingen. Instructies voor het aansluiten en configureren van dit product voor DMX-bediening staan in de gebruikershandleiding. Als u niet bekend bent met DMX, download dan de DMX-primer op [www.chauvetdj.com](http://www.chauvetdj.com).

### Startadres

Om volledige toegang tot alle kanalen in elke DMX-modus te garanderen is het hoogste aanbevolen DMX-adres voor dit product **505**.

### Master/slave-verbinding

De Intimidator Spot 260 maakt gebruik van de DMX-gegevensverbinding voor haar Master-/Slave-modus. Instructies voor het aansluiten en configureren van dit product voor DMX-bediening staan in de gebruikershandleiding.

### IRC-6 Infrarood Remote Control

De Intimidator Spot 260 is compatibel met de IRC-6 infrarood afstandsbediening van CHAUVET DJ Ga voor meer informatie over de IRC-6 of downloadinstructies naar [www.chauvetdj.com](http://www.chauvetdj.com).

### Gobos



1



2



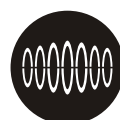
3



4



5



6



7

## DMX-waarden

### 14CH

| KANAAL    | FUNCTIE  | WAARDE    | PERCENTAGE/INSTELLING                      |
|-----------|--|-----------|--|
| 1         | Zwenken  | 000 ⇔ 255 | 0 tot 540°                                 |
| 2         | Fijn zwenken                                       | 000 ⇔ 255 | Fijne bediening van zwenken                |
| 3         | Kantelen   | 000 ⇔ 255 | 0 tot 270°                                 |
| 4         | Fijn kantelen                                      | 000 ⇔ 255 | Fijne bediening van kantelen               |
| 5         | Snelheid   | 000 ⇔ 255 | Zwenk-/kantelsnelheid (snel tot langzaam)  |
| 6         | Kleurenwiel  | 000 ⇔ 006 | Wit  |
|           |  | 007 ⇔ 013 | Oranje                                     |
|           |  | 014 ⇔ 020 | Limoengroen                                |
|           |  | 021 ⇔ 027 | Cyaan                                      |
|           |  | 028 ⇔ 034 | Rood                                       |
|           |  | 035 ⇔ 041 | Groen                                      |
|           |  | 042 ⇔ 048 | Magenta                                    |
|           |  | 049 ⇔ 055 | Geel                                       |
|           |  | 056 ⇔ 062 | Donkerblauw                                |
|           |  | 063 ⇔ 064 | Wit  |
|           |  | 065 ⇔ 189 | Kleur indexeren                            |
|           |  | 190 ⇔ 221 | Kleur-cyclus regenboog, snel naar langzaam |
|           |  | 222 ⇔ 223 | Stop                                       |
| 224 ⇔ 255 | Kleur-cyclus regenboog omkeren, langzaam naar snel |           |  |



| KANAAL    | FUNCTIE                                       | WAARDE    | PERCENTAGE/INSTELLING  |
|-----------|---|-----------|--|
| 7         | Lichtscherm wiel (zie <a href="#">Gobos</a> ) | 000 ⇔ 007 | Open   |
|           |   | 008 ⇔ 015 | Gobo 1   |
|           |   | 016 ⇔ 023 | Gobo 2   |
|           |   | 024 ⇔ 031 | Gobo 3   |
|           |   | 032 ⇔ 039 | Gobo 4   |
|           |   | 040 ⇔ 047 | Gobo 5   |
|           |   | 048 ⇔ 055 | Gobo 6   |
|           |   | 056 ⇔ 063 | Gobo 7   |
|           |   | 064 ⇔ 071 | Gobo 7 schudden, langzaam tot snel                             |
|           |   | 072 ⇔ 079 | Gobo 6 schudden, langzaam tot snel                             |
|           |   | 080 ⇔ 087 | Gobo 5 schudden, langzaam tot snel                             |
|           |   | 088 ⇔ 095 | Gobo 4 schudden, langzaam tot snel                             |
|           |   | 096 ⇔ 103 | Gobo 3 schudden, langzaam tot snel                             |
|           |   | 104 ⇔ 111 | Gobo 2 schudden, langzaam tot snel                             |
|           |   | 112 ⇔ 119 | Gobo 1 schudden, langzaam tot snel                             |
|           |   | 120 ⇔ 127 | Open   |
| 128 ⇔ 189 | Cyclus-effect, langzaam tot snel              |           |  |
| 190 ⇔ 193 | Stop  |           |  |
| 194 ⇔ 255 | Cyclus-effect omkeren, langzaam tot snel      |           |  |
| 8         | Gobo-rotatie                                  | 001 ⇔ 007 | Geen functie   |
|           |   | 008 ⇔ 119 | Rotatie, langzaam tot snel                                     |
|           |   | 120 ⇔ 231 | Rotatie omkeren, langzaam tot snel                             |
|           |   | 232 ⇔ 255 | Springen, langzaam naar snel                                   |
| 9         | Prisma  | 000 ⇔ 015 | Geen functie   |
|           |   | 016 ⇔ 255 | 3-vlaks prisma   |
| 10        | Focus   | 000 ⇔ 255 | Focus, groot naar klein  |
| 11        | Dimmer  | 000 ⇔ 255 | 0 tot 100%   |
| 12        | Sluiter                                       | 000 ⇔ 003 | Gesloten   |
|           |   | 004 ⇔ 007 | Open   |
|           |   | 008 ⇔ 076 | Flitsen, langzaam naar snel                                    |
|           |   | 077 ⇔ 145 | Impulse flitsen, langzaam naar snel                            |
|           |   | 146 ⇔ 215 | Willekeurig flitsen, langzaam naar snel                        |
|           |   | 216 ⇔ 255 | Open   |
| 13        | Functies                                      | 000 ⇔ 007 | Geen functie   |
|           |   | 008 ⇔ 015 | Verduistering bij zwenk-/kantelbeweging                        |
|           |   | 016 ⇔ 023 | Verduistering bij kleurenwielbeweging                          |
|           |   | 024 ⇔ 031 | Verduistering bij gobo-wielbeweging                            |
|           |   | 032 ⇔ 039 | Verduistering bij zwenk-/kantel-/kleurenwielbeweging           |
|           |   | 040 ⇔ 047 | Verduistering bij zwenk-/kantel-/gobowielbeweging              |
|           |   | 048 ⇔ 055 | Verduistering bij zwenk-/kantel-/kleurenwiel-/gobowielbeweging |
|           |   | 056 ⇔ 095 | Geen functie   |
|           |   | 096 ⇔ 103 | Zwenken herstellen   |
|           |   | 104 ⇔ 111 | Kantelen herstellen  |
| 112 ⇔ 119 | Kleurenwiel herstellen                        |           |  |

| KANAAL | FUNCTIE          | WAARDE    | PERCENTAGE/INSTELLING            |
|--------|------------------|-----------|----------------------------------|
| 13     | Functies         | 120 ⇔ 127 | Gobo-wiel herstellen             |
|        |                  | 128 ⇔ 135 | Geen functie                     |
|        |                  | 136 ⇔ 143 | Prisma herstellen                |
|        |                  | 144 ⇔ 151 | Focus herstellen                 |
|        |                  | 152 ⇔ 159 | Alle herstellen                  |
|        |                  | 160 ⇔ 255 | Geen functie                     |
| 14     | Bewegingsmacro's | 000 ⇔ 007 | Geen functie                     |
|        |                  | 008 ⇔ 023 | Bewegingsmacro 1                 |
|        |                  | 024 ⇔ 039 | Bewegingsmacro 2                 |
|        |                  | 040 ⇔ 055 | Bewegingsmacro 3                 |
|        |                  | 056 ⇔ 071 | Bewegingsmacro 4                 |
|        |                  | 072 ⇔ 087 | Bewegingsmacro 5                 |
|        |                  | 088 ⇔ 103 | Bewegingsmacro 6                 |
|        |                  | 104 ⇔ 119 | Bewegingsmacro 7                 |
|        |                  | 120 ⇔ 135 | Bewegingsmacro 8                 |
|        |                  | 136 ⇔ 151 | Geluids-actieve bewegingsmacro 1 |
|        |                  | 152 ⇔ 167 | Geluids-actieve bewegingsmacro 2 |
|        |                  | 168 ⇔ 183 | Geluids-actieve bewegingsmacro 3 |
|        |                  | 184 ⇔ 199 | Geluids-actieve bewegingsmacro 4 |
|        |                  | 200 ⇔ 215 | Geluids-actieve bewegingsmacro 5 |
|        |                  | 216 ⇔ 231 | Geluids-actieve bewegingsmacro 6 |
|        |                  | 232 ⇔ 247 | Geluids-actieve bewegingsmacro 7 |
|        |                  | 248 ⇔ 255 | Geluids-actieve bewegingsmacro 8 |

## 08CH

| KANAAL | FUNCTIE                                       | WAARDE    | PERCENTAGE/INSTELLING                              |
|--------|---|-----------|--|
| 1      | Zwenken                                       | 000 ⇔ 255 | 0 tot 540°   |
| 2      | Kantelen                                      | 000 ⇔ 255 | 0 tot 270°   |
| 3      | Kleurenwiel                                   | 000 ⇔ 006 | Wit  |
|        |   | 007 ⇔ 013 | Oranje   |
|        |   | 014 ⇔ 020 | Limoengroen  |
|        |   | 021 ⇔ 027 | Cyaan  |
|        |   | 028 ⇔ 034 | Rood   |
|        |   | 035 ⇔ 041 | Groen  |
|        |   | 042 ⇔ 048 | Magenta  |
|        |   | 049 ⇔ 055 | Geel   |
|        |   | 056 ⇔ 062 | Donkerblauw  |
|        |   | 063 ⇔ 064 | Wit  |
|        |   | 065 ⇔ 189 | Kleur indexeren                                    |
|        |   | 190 ⇔ 221 | Kleur-cyclus regenboog, snel naar langzaam         |
|        |   | 222 ⇔ 223 | Stop   |
|        |   | 224 ⇔ 255 | Kleur-cyclus regenboog omkeren, langzaam naar snel |
| 4      | Lichtscherm wiel (zie <a href="#">Gobos</a> ) | 000 ⇔ 007 | Open   |
|        |   | 008 ⇔ 015 | Gobo 1   |
|        |   | 016 ⇔ 023 | Gobo 2   |
|        |   | 024 ⇔ 031 | Gobo 3   |

| KANAAL | FUNCTIE                                       | WAARDE    | PERCENTAGE/INSTELLING                    |
|--------|---|-----------|--|
| 4      | Lichtscherm wiel (zie <a href="#">Gobos</a> ) | 032 ⇔ 039 | Gobo 4                                   |
|        |   | 040 ⇔ 047 | Gobo 5                                   |
|        |   | 048 ⇔ 055 | Gobo 6                                   |
|        |   | 056 ⇔ 063 | Gobo 7                                   |
|        |   | 064 ⇔ 071 | Gobo 7 schudden, langzaam tot snel       |
|        |   | 072 ⇔ 079 | Gobo 6 schudden, langzaam tot snel       |
|        |   | 080 ⇔ 087 | Gobo 5 schudden, langzaam tot snel       |
|        |   | 088 ⇔ 095 | Gobo 4 schudden, langzaam tot snel       |
|        |   | 096 ⇔ 103 | Gobo 3 schudden, langzaam tot snel       |
|        |   | 104 ⇔ 111 | Gobo 2 schudden, langzaam tot snel       |
|        |   | 112 ⇔ 119 | Gobo 1 schudden, langzaam tot snel       |
|        |   | 120 ⇔ 127 | Open                                     |
|        |   | 128 ⇔ 189 | Cyclus-effect, langzaam tot snel         |
|        |   | 190 ⇔ 193 | Stop                                     |
|        |   | 194 ⇔ 255 | Cyclus-effect omkeren, langzaam tot snel |
| 5      | Gobo-rotatie                                  | 001 ⇔ 007 | Geen functie                             |
|        |   | 008 ⇔ 119 | Rotatie, langzaam tot snel               |
|        |   | 120 ⇔ 231 | Rotatie omkeren, langzaam tot snel       |
|        |   | 232 ⇔ 255 | Springen, langzaam naar snel             |
| 6      | Prisma  | 000 ⇔ 015 | Geen functie                             |
|        |   | 016 ⇔ 255 | 3-vlaks prisma                           |
| 7      | Focus   | 000 ⇔ 255 | Focus, groot naar klein                  |
| 8      | Sluiter                                       | 000 ⇔ 003 | Gesloten                                 |
|        |   | 004 ⇔ 007 | Open                                     |
|        |   | 008 ⇔ 076 | Flitsen, langzaam naar snel              |
|        |   | 077 ⇔ 145 | Impulse flitsen, langzaam naar snel      |
|        |   | 146 ⇔ 215 | Willekeurig flitsen, langzaam naar snel  |
|        |   | 216 ⇔ 255 | Open                                     |

Contact Us

| General Information  | Technical Support  |
|--|--|
| <b>Chauvet World Headquarters</b>  |  |
| Address: 5200 NW 108th Ave.<br>Sunrise, FL 33351<br>Voice: (954) 577-4455<br>Fax: (954) 929-5560<br>Toll Free: (800) 762-1084                          | Voice: (844) 393-7575<br>Fax: (954) 756-8015<br>Email: <a href="mailto:chauvetcs@chauvetlighting.com">chauvetcs@chauvetlighting.com</a><br><br>Website: <a href="http://www.chauvetdj.com">www.chauvetdj.com</a> |
| <b>Chauvet Europe Ltd</b>  |  |
| Address: Unit 1C<br>Brookhill Road Industrial Estate<br>Pinxton, Nottingham, UK<br>NG16 6NT<br>Voice: +44 (0) 1773 511115<br>Fax: +44 (0) 1773 511110  | Email: <a href="mailto:UKtech@chauvetlighting.eu">UKtech@chauvetlighting.eu</a><br><br>Website: <a href="http://www.chauvetdj.eu">www.chauvetdj.eu</a>   |
| <b>Chauvet Europe BVBA</b>   |  |
| Address: Stokstraat 18<br>9770 Kruishoutem<br>Belgium<br>Voice: +32 9 388 93 97  | Email: <a href="mailto:BNLtech@chauvetlighting.eu">BNLtech@chauvetlighting.eu</a><br><br>Website: <a href="http://www.chauvetdj.eu">www.chauvetdj.eu</a>   |
| <b>Chauvet France</b>  |  |
| Address: 3, Rue Ampère<br>91380 Chilly-Mazarin<br>France<br>Voice: +33 1 78 85 33 59   | Email: <a href="mailto:FRtech@chauvetlighting.fr">FRtech@chauvetlighting.fr</a><br><br>Website: <a href="http://www.chauvetdj.eu">www.chauvetdj.eu</a>   |
| <b>Chauvet Germany</b>   |  |
| Address: Bruno-Bürgel-Str. 11<br>28759 Bremen<br>Germany<br>Voice: +49 421 62 60 20  | Email: <a href="mailto:DEtech@chauvetlighting.de">DEtech@chauvetlighting.de</a><br><br>Website: <a href="http://www.chauvetdj.eu">www.chauvetdj.eu</a>   |
| <b>Chauvet Mexico</b>  |  |
| Address: Av. de las Partidas 34 - 3B<br>(Entrance by Calle 2)<br>Zona Industrial Lerma<br>Lerma, Edo. de México, CP 52000<br>Voice: +52 (728) 690-2010 | Email: <a href="mailto:servicio@chauvet.com.mx">servicio@chauvet.com.mx</a><br><br>Website: <a href="http://www.chauvetdj.mx">www.chauvetdj.mx</a>   |

Visit the applicable website above to verify our contact information and instructions to request support. Outside the U.S., United Kingdom, Ireland, Benelux, France, Germany, or Mexico, contact the dealer of record.

**Intimidator Spot 260 QRG Rev. 2**

© Copyright 2018 Chauvet

All rights reserved

Printed in the P.R.C.



RoHS

