

LCB1 Logic Control Button

OVERVIEW

The LCB1 is a discrete button designed to remotely control the on-off functions of a microphone (or other devices) when used in conjunction with a logic-enabled media system for video and teleconferencing. Unobtrusively rising less than 3mm above the surface of a table and only 32mm in diameter, the LCB1 features a precision machined housing, a contact closure, and a 3-5 V DC logic controlled LED indicator. The LCB1 logic button is simple to install and does not require external power supplies, relays, or extra resistors. Mechanically separate from the microphone, the LCB1 gives tactile button response while keeping any potential noise out of the audio path.

APPLICATION

The LCB1 gives the user the ability to have logic button functionality that is physically separated from a microphone or table base. This affords the option of a table microphone such as a gooseneck or boundary microphone to be positioned farther from the conference table's edge where the mic coverage can clear laptop screens or other obstructions. In conjunction, the LCB1 can be positioned conveniently near the edge of the conference table, allowing for easy reach and access to button functionality. On/off or push to talk or push to mute selections can be programmed at the DSP. In jobs where ceiling microphones are deployed, the LCB1 can be installed to indicate when overhead mics are live or to mute a particular microphone or zone.



LCB1

SPECIFICATIONS

Output Connector	Tinned 4 wire
Cable Length	6ft - 1800 mm
Switch	Noise free mechanical
Phantom Power Requirements	None
Weight	30 g - 1 oz

LOGIC CONNECTIONS

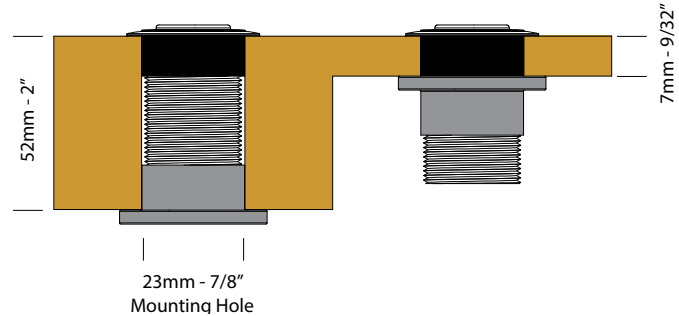
LED Control Voltage	3.3 - 5.0 V
Closure Max Current	200 mA
Closure Max Voltage	48 V DC
Closure Contact Resistance	≤ 100 mΩ

ARCHITECT AND ENGINEER SPECIFICATIONS

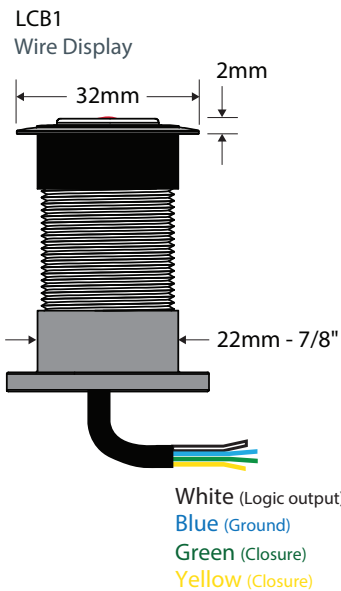
The LCB1 button's body shall be machined, anodized aluminum with the button case made of UL94-V0 thermoplastic. The overall dimensions shall be 52 mm at max length and 32 mm in diameter at the widest point. Operational temperature of the button shall be from -40°C to + 85°C. The button shall operate with a logic enabled conferencing system. The button shall provide a contact closure and an indicator LED. The LED shall operate on a voltage of 3.3 V to 5.0 V DC. The button shall be the Audix LCB1.

TABLE DIMENSIONS: (7mm min - 52mm max thickness)
Optional fasteners available for longer or shorter mounting.

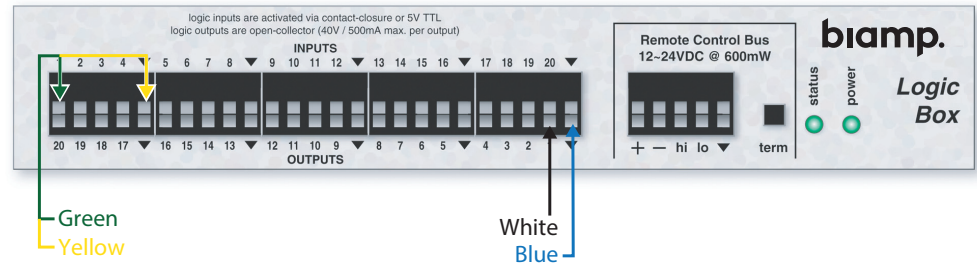
Mounting hole size: 23mm - 7/8"



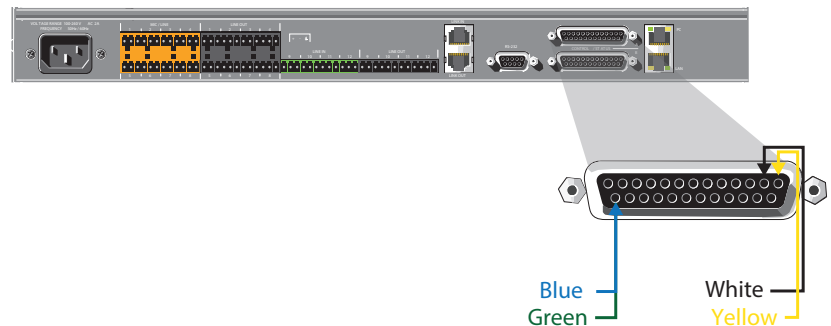
HOW TO WIRE LCB1:



biamp. Logic Box



ClearOne® Converge Pro 880 Rear Panel



PRODUCT REGISTRATION: Please register your product online at www.audixusa.com/docs_12/about/product_registration.shtml.

SERVICE AND WARRANTY: This microphone is under warranty for a period of 3 years to be free of defects in material and workmanship. In the event of a product failure due to materials or workmanship, Audix will repair or replace said product at no charge with proof of purchase. Audix does not pay or reimburse shipping costs for warranty repairs or returns. The warranty excludes any causes other than manufacturing defects, such as normal wear, abuse, environmental damage, shipping damage or failure to use or maintain the product per the supplied instructions. No Implied Warranties: All implied warranties, including but not limited to implied warranties of merchantability and fitness for a particular purpose are hereby excluded. The liability of Audix, if any, for damages relating to allegedly defective products shall be limited to the actual price paid by Dealer for such products and shall in no event include incidental or consequential damages of any kind. Should your microphone fail in any way, please contact the Audix Service department at 503.682.6933. A Return Authorization is required before returning any product. OTHER THAN THIS WARRANTY, AUDIX MAKES NO WARRANTIES, EXPRESS OR IMPLIED, WITH RESPECT TO THE PRODUCTS, THE USE OF THE PRODUCTS, THE PERFORMANCE OF THE PRODUCTS. AUDIX SHALL NOT BE LIABLE FOR SPECIAL INCIDENTAL, CONSEQUENTIAL, INDIRECT OR SIMILAR DAMAGES ARISING FROM OR BASED ON THE SALE, USE, STORAGE OR DISPOSAL OF THE PRODUCTS, AUDIX'S SERVICE WORK, BREACH OF WARRANTY, BREACH OF CONTRACT. NEGLIGENCE, OR ANY OTHER THEORY OF LIABILITY, EVEN IF AUDIX HAS BEEN ADVISED OF THE POSSIBILITY OF SUCH DAMAGES.