

BLOKTM 4 IP

intelion
INTELLIGENT
LITHIUM-ION
BATTERY SYSTEM



Blizzard Lighting, LLC
www.blizzardlighting.com
Waukesha, WI USA
Copyright (c) 2016

TABLE OF CONTENTS

Blok 4™ IP	1
1. Getting Started	4
What's In The Box?	4
Getting It Out Of The Box	4
Powering Up!	4
Getting A Hold Of Us	4
Safety Instructions (Don't run with scissors!)	5
2. Meet The Blok 4™ IP LED Fixture	6
Main Features	6
DMX Quick Reference	6
The Blok 4™ IP Pin-up Picture	7
3. Setup	8
Fuse Replacement	8
Connecting A Bunch Of Blok 4™ IP Fixtures	8
Data/DMX Cabling	8
Cable Connectors	9
3-Pin??? 5-Pin??? Huh?	9
Take It To The Next Level: Setting up DMX Control	9
Fixture Linking (Master/Slave Mode)	10
Mounting/Rigging	10
Using the AnyFi™ Wireless DMX Receiver	11
Using the Intelion™ Battery System	13
4. Operating Adjustments	14
Navigating The Control Panel	14
Control Panel Menu Structure	15
DMX Mode	16
Set the Starting DMX Address	16
Select the DMX Channel Mode	16
Slave Mode	16
Dimming Mode Settings	16
Custom Programs	17
Auto Mode, and Auto Speed Settings	17
Color Calibration Settings	18
Custom Static Colors	18
Fixture Reset Functions	19
Data Sync Feature	19
Fixture Information	19
The Remote Control	20
DMX In-Depth Reference	21
5. Appendix	22
A Quick DMX Lesson	22
Troubleshooting	22
Keeping Your Blok 4™ IP As Good As New	23
Returns (Gasp!)	23
Shipping Issues	23
Tech Specs	24
Dimensional Drawings	25

LITHIUM-ION BATTERY WARNINGS & INFO

YOU MUST READ THESE SAFETY INSTRUCTIONS AND WARNINGS BEFORE USING OR CHARGING YOUR FIXTURES.

LI-ION BATTERIES ARE VOLATILE. FAILURE TO READ AND FOLLOW THE BELOW INSTRUCTIONS MAY RESULT IN FIRE, PERSONAL INJURY AND DAMAGE TO PROPERTY IF CHARGED OR USED IMPROPERLY. BY PURCHASING AND USING THESE FIXTURES, YOU ASSUME ALL RISKS ASSOCIATED WITH LITHIUM BATTERIES. IF YOU DO NOT AGREE WITH THESE CONDITIONS, PLEASE CONSIDER RETURNING THE FIXTURES

- 1. WARNING! TO REDUCE THE RISK OF INJURY AND/OR EQUIPMENT DAMAGE, DO NOT TAMPER WITH THE CHARGING CIRCUITRY IN THIS FIXTURE.** The use of other types of chargers may result in personal injury or equipment damage. Under no circumstances attempt to connect the battery pack to any power supplies or other equipment that is not specifically and expressly designated for use with this model battery pack.
- 2. NEVER CHARGE UNATTENDED.** When charging Li-Ion batteries, you must always remain in constant observation in order to react to potential problems which may occur. Failure to do so may result in fire. Put the battery in a fireproof container, and charge in an isolated area, away from flammable materials. Always have a fire extinguisher ready for emergency use.
- 3. USE THE LITHIUM ION BATTERY PACK ONLY WITH EQUIPMENT SPECIFICALLY AND EXPRESSLY DESIGNATED FOR USE WITH THIS MODEL BATTERY PACK.** Use with other equipment may result in fire, electric shock, personal injury, and/or damage to equipment.
- 4. AVOID DANGEROUS CONDITIONS AND ENVIRONMENTS.** Do not charge the battery pack in damp or wet conditions. Avoid using the pack in direct exposure to rain or snow. Do not use the battery pack or charger in the presence of explosive gases or flammable materials.
- 5. AVOID USING OR STORING THE BATTERY PACK IN EITHER EXTREME COLD OR EXTREME HOT TEMPERATURES.** The battery pack will disable itself under conditions of extreme heat (above 60 °C) and may not function to full performance under conditions of extreme cold (below -20 °C). Storage at elevated temperatures (above 25 °C) will shorten the life of the battery pack.
- 6. DO NOT BURN OR INCINERATE BATTERY PACKS.** Battery packs may explode causing personal injury, fire, and/or damage. Fumes resulting from burning of battery packs may be toxic.
- 7. DO NOT DROP, CRUSH, IMPACT, OR MECHANICALLY ABUSE BATTERY PACKS.** Cease use of fixtures that have suffered a sharp impact, been dropped, run over, or damaged in any other way. Such impacts may cause internal damage that is not externally visible and that, over time, may cause short circuits, battery cell leakage, or other events that may lead to fire, personal injury, and or equipment damage.
- 8. DO NOT DISASSEMBLE BATTERY PACK.** There are no user serviceable parts within battery packs. Disassembly may result in short circuiting or other damage that may cause fire, personal injury, and/or other damage.
- 9. AVOID CONTACT WITH BATTERY CHEMICALS.** If a battery pack leaks battery chemicals, avoid any contact with skin, eyes, or mouth. In the event of contact with skin, wash immediately with soap and water and rinse with vinegar. For eye contact, begin flushing with clean water, immediately call for medical help, and continue flushing for 20 minutes or until medical help arrives.
- 10. STORE IN A COOL, DRY PLACE.** Avoid leaving the fixture in direct sunlight, vehicle cabs, compartments, or unventilated storage buildings during hot summer conditions. Under extreme temperature conditions damage may occur. Elevated temperatures in general shorten the life of your battery pack.

1. GETTING STARTED

What's In The Box?

- 1 x Blok 4™ IP Professional LED Fixture
- An Ever-So-Handy Power Cord
- One Really Classy DMX Splitter Cable with DMX In/Out
- This Lovely User Manual

Getting It Out Of The Box

Congratulations on purchasing the Blok 4™ IP, the way cool dual head, quad RGBAW LED wash fixture! Now that you've got your Blok 4™ IP (or hopefully, *IPs!*), you should carefully unpack the box and check the contents to ensure that all parts are present and in good condition. If anything looks as if it has been damaged in transit, notify the shipper immediately and keep the packing material for inspection. Again, please save the carton and all packing materials. If a fixture must be returned to the factory, it is important that the fixture be returned in the original factory box and packing.

Powering Up!

All fixtures must be powered directly off a switched circuit and **cannot be run off a rheostat (variable resistor) or dimmer circuit, even if the rheostat or dimmer channel is used solely for a 0% to 100% switch.**

AC Voltage Switch - Not all fixtures have a voltage select switch, so please verify that the fixture you receive is suitable for your local power supply. See the label on the fixture or refer to the fixture's specifications chart for more information. A fixture's listed current rating is its average current draw under normal conditions. Check the fixture or device carefully to make sure that if a voltage selection switch exists that it is set to the correct line voltage you will use.

Warning! Verify that the voltage select switch on your unit matches the line voltage applied. Damage to your fixture may result if the line voltage applied does not match the voltage indicated on the voltage selector switch. All fixtures must be connected to circuits with a suitable Ground (Earthing).

Getting A Hold Of Us

If something is wrong, please just visit our website at www.blizzardlighting.com/support and open a support ticket. We'll be happy to help, honest.

Disclaimer: The information and specifications contained in this document are subject to change without notice. Blizzard Lighting™ assumes no responsibility or liability for any errors or omissions that may appear in this user manual. Blizzard Lighting™ reserves the right to update the existing document or to create a new document to correct any errors or omissions at any time. You can download the latest version of this document from www.blizzardlighting.com.

Author:	Date:	Last Edited:	Date:
J. Thomas	10/24/2016	J. Thomas	10/31/2016

SAFETY INSTRUCTIONS



Please read these instructions carefully. They include important information about the installation, usage and maintenance of this product.

- Please keep this User Guide for future use. If you sell the unit to someone else, be sure that they also receive this User Guide.
- ALWAYS make sure that you are connecting to the proper voltage, and that the line voltage you are connecting to is not higher than that stated on the decal or rear panel of the fixture.
- Make sure there are no flammable materials close to the unit while operating.
- The unit must be installed in a location with adequate ventilation, at least 20in (50cm) from adjacent surfaces. Be sure that no ventilation slots are blocked.
- ALWAYS disconnect from the power source before servicing or replacing fuse and be sure to replace with same fuse size and type.
- ALWAYS secure fixture using a safety chain. NEVER carry the fixture by its cord. Use its carrying handles.
- DO NOT operate at ambient temperatures higher than 104°F (40°C).
- In the event of a serious operating problem, stop using the unit immediately. NEVER try to repair the unit by yourself. Repairs carried out by unskilled people can lead to damage or malfunction. Please contact the nearest authorized technical assistance center. Always use the same type spare parts.
- NEVER connect the device to a dimmer pack.
- Make sure the power cord is never crimped or damaged.
- Never disconnect the power cord by pulling or tugging on the cord.
- Avoid direct eye exposure to the light source while it is on.

Caution! There are no user serviceable parts inside the unit. Do not open the housing or attempt any repairs yourself. In the unlikely event your unit may require service, please open a support ticket at www.blizzardlighting.com/support.

2. MEET THE BLOK 4™ IP LED FIXTURE

MAIN FEATURES

- IP65 rated with 4x 25W RGBAW 5-in-1 COB LEDs
- Dual heads with locking knobs and 70° tilt
- Built-in 2.4Ghz AnyFi™ wireless DMX receiver
- W-DMX™ & Skywire™ compatible
- Intelion™ lithium-ion battery system
- 3 battery power saving modes
- User-selectable 32-bit dimming curves
- Variable electronic dimming & strobe
- Built-in automated and customizable programs
- Virtual color wheel
- RGBAW color mixing ability in standalone mode
- Freestanding upright or mountable via dual mounting brackets
- Standalone, master/slave, automode
- 5/6/11/10/11/16-channel DMX modes
- IR remote control (sold separately)

ADDITIONAL FEATURES

- Rugged and well-built (It hits the gym regularly)
- Super-quiet with natural convection cooling
- Dual mounting brackets for positioning flexibility
- Flicker-free constant-current 1500HZ LED driver
- 3-pin male input and 3-pin female output
- PowerCon™ compatible AC power input connector

DMX Quick Reference: 5/6/11/10/11/16-Channel Modes

5CH	6CH	11CH.	10CH	11CH	16CH	What It Does
--	1	1	--	1	1	Dimmer (0% <--> 100%)
1	2	2	--	--	--	Red (0% <--> 100%)
2	3	3	--	--	--	Green (0% <--> 100%)
3	4	4	--	--	--	Blue (0% <--> 100%)
4	5	5	--	--	--	Amber (0% <--> 100%)
5	6	6	--	--	--	White (0% <--> 100%)
--	--	--	1	2	2	Red - Group 1 (0% <--> 100%)
--	--	--	2	3	3	Green - Group 1 (0% <--> 100%)
--	--	--	3	4	4	Blue - Group 1 (0% <--> 100%)
--	--	--	4	5	5	Amber - Group 1 (0% <--> 100%)
--	--	--	5	6	6	White - Group 1 (0% <--> 100%)
--	--	--	6	7	7	Red - Group 2 (0% <--> 100%)
--	--	--	7	8	8	Green - Group 2 (0% <--> 100%)
--	--	--	8	9	9	Blue - Group 2 (0% <--> 100%)
--	--	--	9	10	10	Amber - Group 2 (0% <--> 100%)
--	--	--	10	11	11	White - Group 2 (0% <--> 100%)
--	--	7	--	--	12	Strobe Effects
--	--	8	--	--	13	Auto Modes & Custom Programs
--	--	9	--	--	14	Speed (fast <--> slow)
--	--	10	--	--	15	Virtual Color Wheel
--	--	11	--	--	16	32-Bit Dimming

Figure 1: The Blok 4™ IP Pin-Up Picture

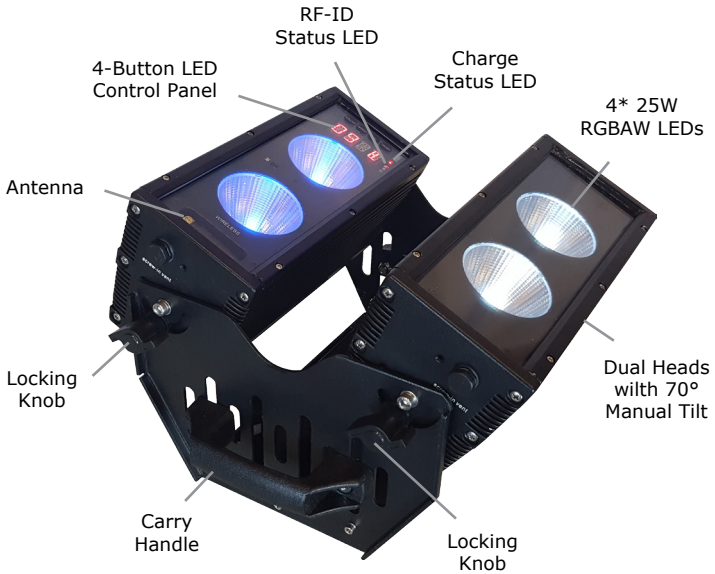
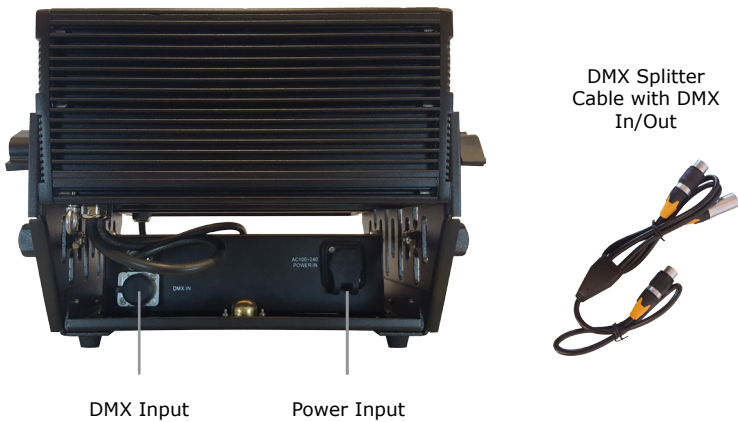


Figure 2: The Rear Connections



3. SETUP



Before replacing a fuse, disconnect power cord. ALWAYS replace with the same type and rating of fuse.

Fuse Replacement

CAUTION! The Blok 4™ IP utilizes a high-output switch-mode power supply with an internal fuse. Under normal operating conditions, the fuse should not require replacement. The fuse is field replaceable, however it is an advanced procedure suited to qualified individuals. Should your fixture require replacement, please contact Blizzard Lighting for instructions, or to return your unit for service.

Connecting A Bunch of Blok 4™ IP Fixtures

You will need a serial data link to run light shows using a DMX-512 controller or to run shows on two or more fixtures set to sync in master/slave operating mode. The combined number of channels required by all the fixtures on a serial data link determines the number of fixtures the data link can support.

Fixtures on a serial data link must be daisy chained in one single line. Also, connecting more than 32 fixtures on one serial data link without the use of a DMX optically-isolated splitter may result in deterioration of the digital DMX signal. The maximum recommended cable-run distance is 500 meters (1640 ft). The maximum recommended number of fixtures on a serial data link is 32 fixtures.

Data/DMX Cabling

To link fixtures together you'll need data cables. You should use data-grade cables that can carry a high quality signal and are less prone to electromagnetic interference.

For instance, Belden© 9841 meets the specifications for EIA RS-485 applications. Standard microphone cables will "probably" be OK, but note that they cannot transmit DMX data as reliably over long distances. In any event, the cable should have the following characteristics:

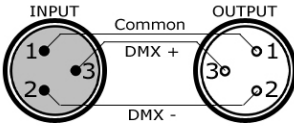
*2-conductor twisted pair plus a shield
Maximum capacitance between conductors – 30 pF/ft.
Maximum capacitance between conductor & shield – 55 pF/ft.
Maximum resistance of 20 ohms / 1000 ft.
Nominal impedance 100 – 140 ohms*

Setting the DMX Input Connector as the Active DMX Input

Navigate the main menu to reach **SET**, press **<ENTER>**, then use the **<UP/DOWN>** buttons until **SIGN** is displayed, then press **<ENTER>** again. Now use the **<UP/DOWN>** buttons to highlight **CABL** (cable mode), and press **<ENTER>** to confirm.

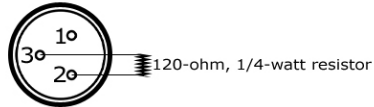
Cable Connectors

Cables must have a male XLR connector on one end and a female XLR connector on the other end. (Duh!)



A Word on Termination: DMX is a resilient communication protocol, however errors still occasionally occur. Termination reduces signal errors, and therefore best practices include use of a terminator in all circumstances. If you are experiencing problems with erratic fixture behavior, especially over long signal cable runs, a terminator may help improve performance.

To build your own DMX Terminator: Obtain a 120-ohm, 1/4-watt resistor, and wire it between pins 2 & 3 of the last fixture. They are also readily available from specialty retailers.



CAUTION: Do not allow contact between the common and the fixture's chassis ground. Grounding the common can cause a ground loop, and your fixture may perform erratically. Test cables with an ohm meter to verify correct polarity and to make sure the pins are not grounded or shorted to the shield or each other.

3-Pin??? 5-Pin??? Huh?!?

If you use a controller with a 5 pin DMX output connector, you will need to use a 5 pin to 3 pin adapter. They are widely available over the internet and from specialty retailers. If you'd like to build your own, the chart below details a proper cable conversion:

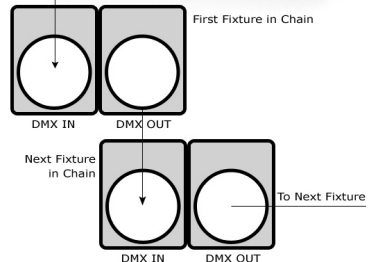
Conductor	3-Pin Female (Output)	5-Pin Male (Input)
Ground/Shield	Pin 1	Pin 1
DMX Data (-)	Pin 2	Pin 2
DMX Data (+)	Pin 3	Pin 3
Not Used.	No Connection.	No Connection.
Not Used.	No Connection.	No Connection.

Take It To The Next Level: Setting Up DMX Control

Step 1: Connect the male connector of the DMX cable to the female connector (output) on the controller.



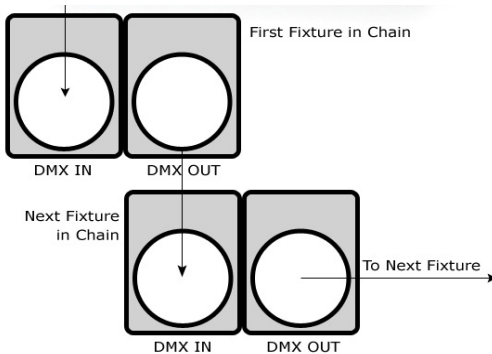
Step 2: Connect the female connector of the DMX cable to the first fixture's male connector (input). *Note:* It doesn't matter which fixture address is the first one connected. We recommend connecting the fixtures in terms of their proximity to the controller, rather than connecting the lowest fixture number first, and so on.



Step 3: Connect other fixtures in the chain from output to input as above. Place a DMX terminator on the output of the final fixture to ensure best communication.

Fixture Linking (Master/Slave Mode)

1. Connect the (male) 3 pin connector side of the DMX cable to the output (female) 3 pin connector of the first fixture.
2. Connect the end of the cable coming from the first fixture which will have a (female) 3 pin connector to the input connector of the next fixture consisting of a (male) 3 pin connector. Then, proceed to connect from the output as stated above to the input of the following fixture and so on.



A quick note: Often, the setup for Master-Slave and Standalone operation requires that the first fixture in the chain be initialized for this purpose via either settings in the control panel or DIP-switches. Secondly, the fixtures that follow may also require a slave setting.

Check the **“Operating Adjustments”** section in this manual for complete instructions for this type of setup and configuration.

Mounting & Rigging

This fixture may be mounted in any SAFE position provided there is enough room for ventilation.

It is important never to obstruct the fan or vents pathway. Mount the fixture using a suitable “C” or “O” type clamp. The clamp should be rated to hold at least 10x the fixture’s weight to ensure structural stability. Do not mount to surfaces with unknown strength, and ensure properly “rated” rigging is used when mounting fixtures overhead.

Adjust the angle of the fixture by loosening both knobs and tilting the fixture. After finding the desired position, retighten both knobs.

- When selecting installation location, take into consideration lamp replacement access (if applicable) and routine maintenance.
- Safety cables **MUST ALWAYS** be used.
- Never mount in places where the fixture will be exposed to rain, high humidity, extreme temperature changes or restricted ventilation.

Using the AnyFi™ Wireless DMX Receiver

In addition to the unbridled thrill you already received the first time you turned on your fixture, you'll be delighted to know that your Blok 4™ IP is equipped to work seamlessly with our own Skywire™ 2.4GHz wireless DMX products, as well as W-DMX™ wireless products.

Skywire™ AnyFi™ wireless DMX products feature 512 auto-assigning frequencies in either 6 or 7 groups allowing multiple systems to run simultaneously in the same space, completely free of interference, with reliable wireless communication for over 1000 feet line-of-sight! Using the W-DMX™ wireless protocol in AnyFi™, you can expect the same outstanding wireless range, very easy setup, and leave any worries behind concerning loss of signal due to its built-in FHSS technology (Frequency Hopping Spread Spectrum).



So first, if you would like to use Skywire™ wireless DMX protocol, you will need a wiCICLE® transmitter, Lightcaster™ transceiver, or any Blizzard Lighting controller with this type of built-in wireless transmitter. And if you plan on using W-DMX™ 2.4GHz wireless protocol, you will need a W-DMX™ transceiver to broadcast the signal from your controller, such as our Lightcaster W-DMX™.

Ready to move on? Well alrighty!

IMPORTANT - If you are using Blizzard's Lightcaster Any-Fi wireless transmitter in W-DMX compatibility mode along with DMX control software like our Eclipse DMX or Lucid products, you must set the MAB (Mark After Break) in the software to 30us to avoid potential signal timing issues.

1.) Set the Fixture to Receive Wireless Signal in the Control Panel

a.) Navigate the main menu to reach **SET**, press **<ENTER>**, then use the **<UP/DOWN>** buttons until **SIGN** is displayed, then press **<ENTER>** again. Now use the **<UP/DOWN>** buttons to highlight **2.4G** (wireless mode), and press **<ENTER>** to confirm.

2.) Resetting The Wireless

a.) Navigate the main menu to reach **SET**, press **<ENTER>**, then use the **<UP/DOWN>** buttons until **WIRE** is displayed, then press **<ENTER>** again.
b.) From here, you can use the **<UP/DOWN>** buttons to highlight **REST** and press **<ENTER>**, select **YES**, then **<ENTER>** to reset the wireless setup.

3.) Select W-DMX™ or Skywire™ Modes

a.) Make sure the device you are using to transmit signal with is powered on.
b.) Navigate the main menu to reach **SET**, press **<ENTER>**, then use the **<UP/DOWN>** buttons until **WIRE** is displayed, then press **<ENTER>** again.
c.) Now use the **<UP/DOWN>** buttons to highlight **KEY** in the menu, and press **<ENTER>**.
d.) At this point, please note that every time you press the **<ENTER>** button, the wireless LED status indicator changes between 4 colors (**currently 3 are functional**):

- **GREEN:** W-DMX™ 2.4 GHz Receiver Mode
- **YELLOW:** Skywire™ 7CH Receiver Mode (wiCICLE™ & LightCaster Compatible)
- **RED:** Skywire™ 6CH Receiver Mode (AnyFi™ Transmitter Compatible)

Note: The top level **BLUE channel mode currently has no function.*

e.) While the LED indicator is illuminated in **GREEN** (for W-DMX), **YELLOW** (for Skywire 7CH), or **RED** (for Skywire 6CH) press and hold the **<ENTER>** button for **1 second** to confirm and save. Press and hold **<ENTER>** for **3 seconds** to disconnect.

For W-DMX™ connections, you should be done. The fixture will detect the signal!

****For Skywire™ wireless connections, continue to Step 5 on the next page.***

4.) Successful W-DMX™ Connections

The LED status indicator will blink, then turn white if searching for a signal. When a signal connection is established, the LED on the fixture will be solid **GREEN**, if signal is lost the LED will flash **RED**.

W-DMX™ Setup Examples:

- 1.) One transceiver with multiple receiver setups:
 - a.) Power on all units.
 - b.) On the receiving W-DMX fixtures, follow the previous instructions to pair them with the transmitting unit.

- 2.) Multiple transceiver setups, with multiple receivers; e.g. 3 groups consisting of a transceiver & receiver(s) named A, B, and C:
 - a.) Turn power off of all units.
 - b.) Group "A" gets powered on, then follow step 1 above.
 - c.) Group "B" gets powered on, then follow step 1 above.
 - d.) Group "C" gets powered on, then follow step 1 above.

5.) Skywire™ 6/7-Channel Modes: Selecting the Channel Group

1. After selecting either Skywire 2.4GHz Mode in **Step 3** on the previous page, the fixture is ready and waiting for your input to select the frequency group to match that of your transmitting source.

- a.) Tap the **<ENTER>** button repeatedly to scroll through the channel groups:

Top Menu LED Color	Mode	Channel LED Color	Information
	Skywire™ 6CH (AnyFi™ products only)		CH1
			CH2
			CH3
			CH4
			CH5
			CH6
	W-DMX Receive (G3 or G4)		
	Skywire™ 7CH (wiCICLE™ compatible)		CH1
			CH2
			CH3
			CH4
			CH5
			CH6
			CH7

- b.) While your chosen group number/color is illuminated on the status LED, press and hold the **<ENTER>** button for 3 seconds.

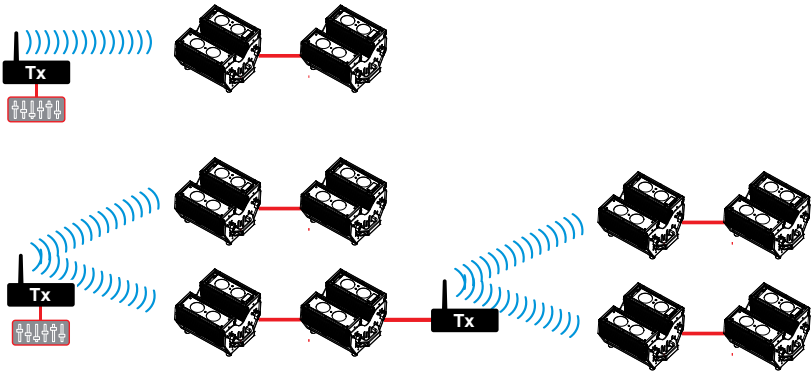
2. The LED on the transmitter will blink **RED** slowly until communication is established with the receiver. The status LED on the receiving fixtures will be illuminated in the color of the group that it is set on until communication is established.

3. Once the clearest channel is auto-selected, the status LEDs will blink quickly on both the transmitter and receiver. NOTE: The color of the status LED DURING operation does not indicate channel group, instead it indicates whether the unit is transmitting or receiving.

That's It!

Possible Configurations

The diagrams below show possible configurations. Multiple units may be used in any possible configuration.



Using the Intelion™ Battery System

The Blok 4™ IP features our proprietary Intelion™ Lithium-Ion internal battery system which allows you the flexibility to operate your fixture without AC power for up to 20 hours.

To charge the battery, simply plug the fixture into a power source. The battery will charge whether the fixture is powered on or off. It will even charge while in use! The built-in microprocessor of the battery system controls the charge and overall battery health, so all you need to do is plug and play.

The top section on the LCD display menu shows the battery power level indicator displays the approximate amount of power remaining in the battery. Each power level bar equals 20%. When charging, The CHARGE status LED above the LCD display will illuminate in **RED**, then turn **GREEN** when the charge is complete.



A full charge is obtained after charging for at least 5 1/2 hours. The fixture will automatically stop charging when the battery is in optimal condition.

Power Output Mode:

Depending on the needs of any given application, you can select either High Power, Medium Power, or Battery Saver Mode, which allows the fixture to run for a longer time at lower output.

- .) Navigate the menu to reach **SET**, and then **BAT**, and press **<ENTER>**.
- .) Use the **<UP/DOWN>** buttons to select **H (100%)**, **M (75%)** or **S (50%)**.
- .) Press **<ENTER>** to confirm the setting.

Note: With average usage of color fades in *High Output Mode*, you can expect the battery life to last up to 10+ hours, color jumping 5+ hrs, or full on for 3+ hrs. Display color/fade/chase/strobe, and environmental factors including ambient temperature will all impact battery life.

4. OPERATING ADJUSTMENTS

The Control Panel

All the goodies and different modes possible with the Blok 4™ IP are accessed by using the control panel on the rear of the fixture. There are 4 control buttons below the LED display which allow you to navigate through the various control panel menus.

<MENU>

Is used to navigate to the previous higher-level menu item.

<UP>

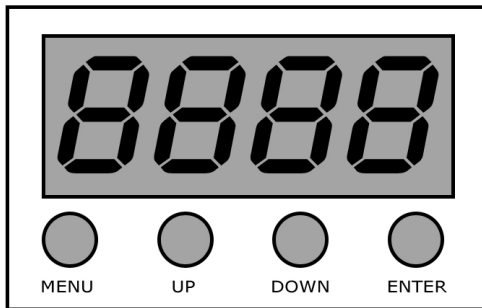
Scrolls through menu items and numbers in ascending order.

<DOWN>

Scrolls through menu items and numbers in descending order.

<ENTER>

Is used to select and confirm/store the current selection.



The control panel LED display shows the menu items you select from the menu map on page #15. When a menu function is selected, the display will show immediately the first available option for the selected menu function. To select a menu item, press **<ENTER>**.

Use the **<UP>** and **<DOWN>** buttons to navigate the menu options. Press the **<ENTER>** button to select the menu function currently displayed, or to enable a menu option. To return to the previous option or menu without changing the value, press the **<MENU>** button.

Control Panel Menu Structure

ADDR	001-512	To choose the DMX address			
STAT	R1	Red Group 1 Intensity (0% <-> 100%)			
	G1	Green Group 1 Intensity (0% <-> 100%)			
	B1	Blue Group 1 Intensity (0% <-> 100%)			
	A1	Amber Group 1 Intensity (0% <-> 100%)			
	W1	White Group 1 Intensity (0% <-> 100%)			
	R2	Red Group 2 Intensity (0% <-> 100%)			
	G2	Green Group 2 Intensity (0% <-> 100%)			
	B2	Blue Group 2 Intensity (0% <-> 100%)			
	A2	Amber Group 2 Intensity (0% <-> 100%)			
	W2	White Group 2 Intensity (0% <-> 100%)			
	SHUT	Flash/strobe speed (0-255)			
SET	SIGN	2.4G	Choose signal type: wireless		
		CABL	Choose signal type: cable		
	WIRE	REST	Wireless reset		
		KEY	KEY desired wireless mode (color coded LED)		
	BAT	<ENTER>	Battery output: High/Middle/Low		
	CAL	<ENTER>	To set global intensity levels of each color + USE: YES/NO		
	CHMD	16CH	To run in 16-channel mode		
		11CH	To run in 11-channel mode (with 2 LED group intensity control)		
		10CH	To run in 10-channel mode		
		11CH.	To run in 11-channel mode (<i>note the trailing dot</i>)		
		6CH	To run in 6-channel mode		
	DIM (dimming)	5CH	To run in 5-channel mode		
		LIN	Linear dimming curve		
		SQR	Square law curve		
		ISQR	Inverse square law curve		
		SCUR	S-curve		
	DISY	LIN.	Linear dimming curve (smooth)		
		SQR.	Square law curve (smooth)		
		ISQR.	Inverse square law curve (smooth)		
		SCUR.	S-curve (smooth)		
	SHOW	ON	LED menu display is on continually		
		2MIN	LED menu display shuts off after 2 minutes of inactivity		
	LOCK	<ENTER>	Two minute time out display setting: address or battery		
	YES/NO	To unlock, press the buttons in this order: <MENU>, <UP>, <DOWN>, <ENTER>, <MENU>, <UP>, <DOWN>, <ENTER>, <MENU>, <UP>, <DOWN>, <ENTER> with no longer than 3 seconds between each button press.			
CTST	CT01-CT10	<ENTER>	R/G/B/A/W adjustments for custom color banks 01-10		
AUTO	AT01-AT33	<ENTER>	Auto programs 1-33		
	ATSP	<ENTER>	Auto Speed		
	CHS1	<ENTER>	Custom program 1		
	CHS2	<ENTER>	Custom program 2		
	CHS3	<ENTER>	Custom program 3		
PROG	CHS1-CHS3 Custom programs 1-3.	SC01-SC25 25 scenes for each custom program.	R1 (0-255)	R2 (0-255)	SHUT (strobe, 0-255)
			G1 (0-255)	G2 (0-255)	AUTO (None, AT01-AT05)
			B1 (0-255)	B2 (0-255)	ATSP (speed, 0-255)
			A1 (0-255)	A2 (0-255)	TIME (duration, 0-255)
			W1 (0-255)	W2 (0-255)	WAIT (before fade, 0-255)
					USE (use scene, YES/NO)
INFO	SOFT	Vx.x	Software version information		
		BATTERY	0% - 100%		
		POW	Current automated overheat protection level (100%/80%/50%)		
		TEM1	LED board 1 temperature in Celsius		
		TEM2	LED board 2 temperature in Celsius		
LOAD	ST L	Restore factory settings			
	PR L	Restore factory program settings			
SEND	YES/NO	Sync settings between fixtures via DMX			

DMX Mode

Allows the unit to be controlled by any universal DMX controller.

Set the Starting DMX Address:

- 1.) Navigate the menu using the **<MENU>** button until you reach **Addr**.
- 2.) Use the **<UP/DOWN>** buttons to select a DMX channel from **001-512**.
- 3.) Press the **<ENTER>** button to confirm.

Select the DMX Channel Mode:

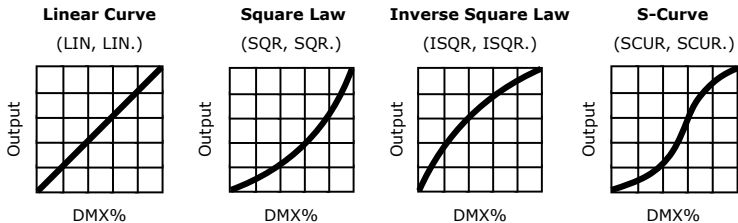
- 1.) Navigate the menu using the **<MENU>** button until you reach **CHnd**.
- 2.) Use the **<UP/DOWN>** buttons to select **5CH, 6CH, 11CH., 10CH, 11CH,** or **16CH** mode.
- 3.) Press the **<ENTER>** button to confirm.

Slave Mode:

- 1.) Daisy chain the fixtures DMX in/out, with the controller at the beginning of the line.
- 2.) The first fixture will be the master fixture, and other fixtures will receive data and run in sync with the master fixture without needing to be manually set as slaves.

Dimming Mode Settings:

Allows you to set the fixture to use 1 of 4 (x2) dimming curve settings for smoother (and slower) dimming capabilities. In the control panel menu, there are two settings for each curve that are distinguishable from one another by the trailing dot.



*The curve settings with the trailing dot adds a bit more delay to the curve for a smoother effect.

- 1.) Use the **<MENU>** and **<UP/DOWN>** buttons to navigate to **SET** and press **<ENTER>**, then **<UP/DOWN>** buttons again to scroll to **DIM**, and press the **<ENTER>** button.
- 2.) Now use the **<UP/DOWN>** buttons to highlight either **LIN** (Linear), **SQR** (Square), **ISQR** (Inverse Square), **SCUR** (S-Curve), **LIN.** (Smooth Linear), **SQR.** (Smooth Square), **ISQR.** (Smooth Inverse Square), or **SCUR.** (Smooth S-Curve), then hit **<ENTER>**.

LED Display On/Off:

- 1.) Use the **<MENU>** and **<UP/DOWN>** buttons to navigate to **SET** and press **<ENTER>**, then navigate to **DISY**, and press the **<ENTER>** button.
- 2.) In **DISY**, you can set the LED menu display to be continually on, or shut off after 2 minutes of inactivity. Then in **SHOW**, you can select either **Addr** (address) or **Bat** (battery) as the default 2 minute timeout display.

Custom Programs:

Allows users to create up to 3 customizable, 25 scene programs that are directly accessible via the control panel menu.

Creating A Custom Program:

- 1.) Use the **<MENU>** and **<UP/DOWN>** buttons to navigate to **PROG**, and press **<ENTER>**.
- 2.) Now use the **<UP/DOWN>** buttons to highlight your choice of either **CHS1**, **CHS2**, or **CHS3** and press **<ENTER>**.
- 3.) Start with editing scene 1 (**SC01**), customizing it to your liking by using the choices outlined in the table below. You can insert any of its built-in auto programs (**AT01-AT33**), and adjust its speed (**ATSP 0-255**), and also set the duration (in seconds) before moving on to the next scene (**TIME 0-255**). You can also add a fade in effect to the start of this scene (**WAIT 0-255**), and/or strobe (**SHUT 0-255**). Finally, if you want to use this scene in your program, *be sure to enable it (USE: YES/NO)*.
- 4.) Repeat the above process to create up to 25 scenes in each of the 3 customizable programs.

R1 (0-255) - Red 1	R2 (0-255) - Red 2	SHUT (0-255) - Strobe	USE (YES/NO) Use Scene?
G1 (0-255) - Green 1	G2 (0-255) - Green 2	AUTO (AT01-AT05)	IMPORTANT: <i>If USE is set to NO, or TIME is set to 0, the scene will not run!</i>
B1 (0-255) - Blue 1	B2 (0-255) - Blue 2	ATSP (0-255) - Auto Speed	
A1 (0-255) - Amber 1	A2 (0-255) - Amber 2	TIME (0-255) - Scene Time	
W1 (0-255) - White 1	W2 (0-255) - White 2	WAIT (0-255) - Fade In	

Running A Custom Program:

- 1.) To view your newly created lighting masterpiece, use the **<MENU>** and **<UP/DOWN>** buttons to navigate to **AUTO**, and press **<ENTER>**.
- 2.) Use the **<UP/DOWN>** buttons to highlight your choice of either **CHS1**, **CHS2**, or **CHS3** and press **<ENTER>**.

Auto Mode and Auto Speed Settings:

Set single or Master/Slaved units to run in auto mode at user selectable speeds.

Auto Mode:

- 1.) Use the **<MENU>** and **<UP/DOWN>** buttons to navigate to **AUTO**, and press the **<ENTER>** button.
- 2.) Now use the **<UP/DOWN>** buttons to highlight any program ranging from **AT01-AT33**, and press **<ENTER>**.

Auto Speed:

- 1.) Use the **<MENU>** and **<UP/DOWN>** buttons to navigate to **AUTO** and press **<ENTER>**, then with the **<UP/DOWN>** buttons navigate to **ATSP**, and press the **<ENTER>** button.
- 2.) Make a selection from **0-255**, and press **<ENTER>** to choose a speed (slow <--> fast).

Color Calibration Settings:

Allows the user to setup and save 1 customized R/G/B/A/W color balance setting and save it for future use. This custom setting is global, and it will effect all modes.

- 1.) Use the **<MENU>** and **<UP/DOWN>** buttons to navigate to **SET** and press **<ENTER>**, then on while **CAL**, push **<ENTER>** again.
- 2.) Use the **<UP/DOWN>** buttons to highlight either **R** (Red Level), **G** (Green Level), **B** (Blue Level), **A** (Amber Level), or **W** (White Level), then hit **<ENTER>**.
- 3.) Now using the **<UP/DOWN>** buttons, select the maximum level for each color between 000-255 (000=off), and hit **<ENTER>** to confirm your choice.
- 4.) You have now just setup and saved a custom global color calibration setting that you can use at you convenience. To use your custom setting now (or later), press the **<UP/DOWN>** buttons to reach **USE**, and press **<ENTER>**. Then choose either **YES** or **NO** and press **<ENTER>**. When you select **YES**, it enables this custom color calibration globally, and when choosing **NO** the fixture will continue to use the default color calibration settings. Your customized settings will be saved for later use even after powering off the fixture. It can be altered to your liking at any time. Just remember to return to this setting to either enable or disable it when needed.

Custom Static Colors:

Allows the user to create and save up to 10 custom static colors for use in standalone or DMX mode.

Custom Mixing

- 1.) Use the **<MENU>** and **<UP/DOWN>** buttons to navigate to **STAT** and press **<ENTER>**, then **<UP/DOWN>** buttons to select R/G/B/A/W (1 or 2), and push **<ENTER>** to confirm your selection. Then in the same manner, you can select **SHUT** to add s strobe effect.

Mix and Save Custom Colors (1-10)

- 1.) Use the **<MENU>** and **<UP/DOWN>** buttons to navigate to **CTST** and press **<ENTER>**, then **<UP/DOWN>** buttons to select a color bank from **CT01-CT10**, and push **<ENTER>** to confirm your selection.
- 2.) Now use the **<UP/DOWN>** buttons to highlight either **R** (Red Level), **G** (Green Level), **B** (Blue Level), **A** (Amber Level), or **W** (White Level), then hit **<ENTER>**.
- 3.) Finally, using the **<UP/DOWN>** buttons, select the maximum level for each color between 000-255 (000=off), and hit **<ENTER>** to confirm your choice(s).
- 4.) These 10 custom colors can be accessed and edited to your liking at any time, and will be saved even after powering off the fixture.
- 5.) Your custom static colors are directly accessible from the **Effect Channel** in DMX mode.

Fixture Reset Functions:

Allows users to reset the fixture to factory default settings, without losing customized settings, or reset the custom programs exclusively.

- 1.) Use the **<MENU>** and **<UP/DOWN>** buttons to navigate to **LOAD** and press **<ENTER>**, then use the **<UP/DOWN>** buttons to highlight **ST L** or **PR L**, and press **<ENTER>**.
- 2.) Use the **<UP/DOWN>** buttons to highlight either **YES** or **NO**, then press **<ENTER>**.
- 3.) The **ST L** reset function will reset all default values *with the exception of* those in **ADDR** (address), **CTST** (10 custom colors), and **PROG** (custom scenes and programs).
- 4.) The **PR L** reset function will only reset all customized program settings found in the **PROG** settings (custom scenes and programs).

Data Sync Feature:

Users can transfer their custom settings from one fixture to another via DMX.

- 1.) Disconnect fixtures from any DMX controllers, and link them together via DMX in/out.
- 2.) On the sending fixture (DMX out), navigate the main menu using the **<UP/DOWN>** buttons to reach **SEND**, and press the **<ENTER>** button.
- 3.) Select **YES**, and press the **<ENTER>** button to begin the transfer.
- 4.) Information for **ADDR** (address), or **CAL** (global intensity) will not be sent.
- 5.) After the data has been transferred, the receiving fixture will be automatically be reset.

Fixture Information:

These are not editable features, they are for informational purposes only.

- 1.) Use the **<MENU>** and **<UP/DOWN>** buttons to navigate to **INFO** and press **<ENTER>**, then use the **<UP/DOWN>** buttons to highlight **SOFT** or **POW**, and press **<ENTER>**.
- 2.) The **SOFT** information simply displays the current software version installed on the fixture, **BAT** is the battery level (0%-100%), **TEM** displays the internal temperature, and **POW** displays the fixtures current power level setting. Under normal conditions, it will be at 100%... but this fixture has built-in overheat protection that may automatically reduce the output level to 80%, or 50% in high temperature situations.

Using the IR Remote Control *(sold separately)*

All the goodies and different modes possible with the Blok 4™ IP can be accessed by using the IR remote control *(sold separately)*.

The IR remote control is simple to use. It offers the same functionality of the LED control panel, with the addition of quick access shortcut buttons.

<MENU>

Used to navigate to the previous higher-level menu item.

<UP>

Scrolls through menu items and numbers in ascending order.

<DOWN>

Scrolls through menu items and numbers in descending order.

<ENTER>

Is used to select and confirm/store the current selection.

<R1> thru <W2>

Shortcut keys used to access the color settings for Red, Green, Blue, Amber, and White (1 & 2) static colors.

<STROBE>

Shortcut key used to access strobe settings. After pressing this button you can use the <UP/DOWN> and <ENTER> buttons to modify the strobe (slow <--> fast).

<AUTO>

Shortcut key used to access auto mode settings. After pressing this button you can use the <UP/DOWN> and <ENTER> buttons to access its built-in auto programs.

<CUSTOM>

Shortcut key used to access custom program mode settings. After pressing this button you can use the <UP/DOWN> and <ENTER> buttons to access its custom programs.

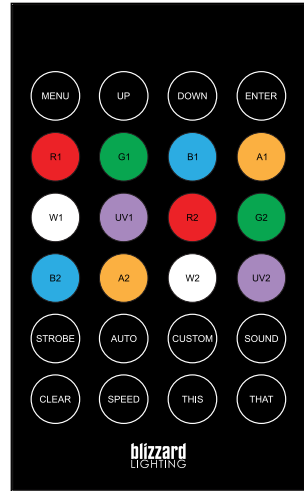
<SPEED>

Shortcut key used to access speed settings. After pressing this button you can use the <UP/DOWN> and then the <ENTER> button to select a speed value (fast <--> slow).

<CLEAR>

This will clear the modified values of <R1> thru <W2>, <STROBE>, and reset the fixture.

**Some of the buttons on this remote are reserved for future use.*



DMX In-Depth Reference: 5/6/11/10/11/16-Channel Modes

5CH	6CH	11CH	10CH	11CH	16CH	Value	What It Does
--	1	1	--	--	1	000 <--> 255	Dimmer (0% <--> 100%)
1	2	2	--	--	--	000 <--> 255	Red (0% <--> 100%)
2	3	3	--	--	--	000 <--> 255	Green (0% <--> 100%)
3	4	4	--	--	--	000 <--> 255	Blue (0% <--> 100%)
4	5	5	--	--	--	000 <--> 255	Amber (0% <--> 100%)
5	6	6	--	--	--	000 <--> 255	White (0% <--> 100%)
--	--	--	1	2	2	000 <--> 255	Red - Group 1 (0% <--> 100%)
--	--	--	2	3	3	000 <--> 255	Green - Group 1 (0% <--> 100%)
--	--	--	3	4	4	000 <--> 255	Blue - Group 1 (0% <--> 100%)
--	--	--	4	5	5	000 <--> 255	Amber - Group 1 (0% <--> 100%)
--	--	--	5	6	6	000 <--> 255	White - Group 1 (0% <--> 100%)
--	--	--	6	7	7	000 <--> 255	Red - Group 2 (0% <--> 100%)
--	--	--	7	8	8	000 <--> 255	Green - Group 2 (0% <--> 100%)
--	--	--	8	9	9	000 <--> 255	Blue - Group 2 (0% <--> 100%)
--	--	--	9	10	10	000 <--> 255	Amber - Group 2 (0% <--> 100%)
--	--	--	10	11	11	000 <--> 255	White - Group 2 (0% <--> 100%)
--	--	7	--	--	12	000 <--> 005	Strobe
						006 <--> 020	No strobe
						021 <--> 060	Non-synchronous strobe (slow <--> fast)
						061 <--> 100	Synchronous strobe (slow <--> fast)
						101 <--> 140	Electronic sine wave (slow <--> fast)
						141 <--> 180	Random strobe (slow <--> fast)
						181 <--> 220	Opening pulse (slow <--> fast)
						221 <--> 255	Closing pulse (slow <--> fast)
							Electronic square wave (slow <--> fast)
--	--	8	--	--	13	000 <--> 005	Effect
						006 <--> 010	No Function
						011 <--> 015	Custom color 1 (CT01 in menu settings)
						016 <--> 020	Custom color 2 (CT02 in menu settings)
						021 <--> 025	Custom color 3 (CT03 in menu settings)
						026 <--> 030	Custom color 4 (CT04 in menu settings)
						031 <--> 035	Custom color 5 (CT05 in menu settings)
						036 <--> 040	Custom color 6 (CT06 in menu settings)
						041 <--> 045	Custom color 7 (CT07 in menu settings)
						046 <--> 050	Custom color 8 (CT08 in menu settings)
						051 <--> 055	Custom color 9 (CT09 in menu settings)
						056 <--> 060	Custom color 10 (CT10 in menu settings)
						061 <--> 065	Auto 1
						066 <--> 070	Auto 2
						071 <--> 075	Auto 3
						076 <--> 080	Auto 4
						081 <--> 085	Auto 5
						086 <--> 090	Auto 6
						091 <--> 095	Auto 7
						096 <--> 100	Auto 8
						101 <--> 105	Auto 9
						106 <--> 110	Auto 10
						111 <--> 115	Auto 11
						116 <--> 120	Auto 12
						121 <--> 125	Auto 13
						126 <--> 130	Auto 14
						131 <--> 135	Auto 15
						136 <--> 140	Auto 16
						141 <--> 145	Auto 17
						146 <--> 150	Auto 18
						151 <--> 155	Auto 19
						156 <--> 160	Auto 20
						161 <--> 165	Auto 21
						166 <--> 170	Auto 22
						171 <--> 175	Auto 23
						176 <--> 180	Auto 24
						181 <--> 185	Auto 25
						186 <--> 190	Auto 26
						191 <--> 195	Auto 27
						196 <--> 200	Auto 28
						201 <--> 205	Auto 29
						206 <--> 210	Auto 30
						211 <--> 215	Auto 31
						216 <--> 220	Auto 32
						221 <--> 225	Auto 33
						226 <--> 230	Chase1
						231 <--> 235	Chase2
						236 <--> 255	Chase3
							Reserved

DMX In-Depth Reference: 5/6/11/10/11/16-Channel Modes

5CH	6CH	11CH	10CH	11CH	16CH	Value	What It Does
--	--	9	--	--	14	--	Speed (fast <--> slow)
--	--	10	--	--	15		Virtual Color Wheel
						000 <--> 010	No Function
						011	Blue
						012 <--> 050	Blue (+ green)
						051	Teal
						052 <--> 090	Teal (- blue)
						091	Green
						092 <--> 130	Green (+ red)
						131	Yellow
						132 <--> 170	Yellow (- green)
						171	Red
						172 <--> 210	Red (+ blue)
						211	Magenta
						212 <--> 250	Magenta (- red)
						251 <--> 255	Blue
--	--	11	--	--	16		Dimming Mode
						000 <--> 010	Default (as set in the LED menu)
						011 <--> 020	Linear curve
						021 <--> 030	Square law curve
						031 <--> 040	Inverse square law curve
						041 <--> 050	S-curve
						051 <--> 060	Linear curve (smooth)
						061 <--> 070	Square law curve (smooth)
						071 <--> 080	Inverse square law curve (smooth)
						081 <--> 090	S-curve (smooth)
						091 <--> 255	Default (as set in the LED menu)

5. APPENDIX

A Quick Lesson On DMX

DMX (aka DMX-512) was created in 1986 by the United States Institute for Theatre Technology (USITT) as a standardized method for connecting lighting consoles to lighting dimmer modules. It was revised in 1990 and again in 2000 to allow more flexibility. The Entertainment Services and Technology Association (ESTA) has since assumed control over the DMX512 standard. It has also been approved and recognized for ANSI standard classification.

DMX covers (and is an abbreviation for) Digital MultipleXed signals. It is the most common communications standard used by lighting and related stage equipment.

DMX provides up to 512 control "channels" per data link. Each of these channels was originally intended to control lamp dimmer levels. You can think of it as 512 faders on a lighting console, connected to 512 light bulbs. Each slider's position is sent over the data link as an 8-bit number having a value between 0 and 255. The value 0 corresponds to the light bulb being completely off while 255 corresponds to the light bulb being fully on.

DMX data is transmitted at 250,000 bits per second using the RS-485 transmission standard over two wires. As with microphone cables, a grounded cable shield is used to prevent interference with other signals.

There are five pins on a DMX connector: a wire for ground (cable shield), two wires for "Primary" communication which goes from a DMX source to a DMX receiver, and two wires for a "Secondary" communication which goes from a DMX receiver back to a DMX source. Generally, the "Secondary" channel is not used so data flows only from sources to receivers. Hence, most of us are most familiar with DMX-512 as being employer over typical 3-pin "mic cables," although this does not conform to the defined standard.

DMX is connected using a daisy-chain configuration where the source connects to the input of the first device, the output of the first device connects to the input of the next device, and so on. The standard allows for up to 32 devices on a single DMX link.

Troubleshooting

Symptom	Solution
Fixture Auto-Shut Off	Check the fan in the fixture. If it is stopped or moving slower than normal, the unit may have shut itself off due to high heat. This is to protect the fixture from overheating.
No Light Output	Check to ensure fixture is operating under correct mode, IE auto/DMX/Etc., if applicable.
Chase Speed Too Fast/Slow	Check to ensure proper setup of speed adjustment.
No Power	Check fuse, AC cord and circuit for malfunction.
Blown Fuse	Check AC cord and circuit for damage, verify that moving parts are not restricted and that unit's ventilation is not obstructed
Fixture Not Responding / Responding Erratically	Make sure all connectors are seated properly and securely. Use Only DMX Cables and/or check cables for defects Install a Terminator. Reset fixture(s).

Keeping Your Blok 4™ IP As Good As New

The fixture you've received is a rugged, tough piece of pro lighting equipment, and as long as you take care of it, it will take care of you. That said, like anything, you'll need to take care of it if you want it to operate as designed. You should absolutely keep the fixture clean, especially if you are using it in an environment with a lot of dust, fog, haze, wild animals, wild teenagers or spilled drinks.

Cleaning the optics routinely with a suitable glass cleaner will greatly improve the quality of light output. Keeping the fans free of dust and debris will keep the fixture running cool and prevent damage from overheating.

In transit, keep the fixtures in cases. You wouldn't throw a prized guitar, drumset, or other piece of expensive gear into a gear trailer without a case, and similarly, you shouldn't even think about doing it with your shiny new light fixtures.

Common sense and taking care of your fixtures will be the single biggest thing you can do to keep them running at peak performance and let you worry about designing a great light show, putting on a great concert, or maximizing your client's satisfaction and "wow factor." That's what it's all about, after all!

Returns (Gasp!)

We've taken a lot of precautions to make sure you never even have to worry about sending a defective unit back, or sending a unit in for service. But, like any complex piece of equipment designed and built by humans, once in a while, something doesn't go as planned. If you find yourself with a fixture that isn't behaving like a good little fixture should, you'll need to obtain a Return Authorization (RA).

Don't worry, this is easy. Just go to our website and open a support ticket at www.blizzardlighting.com/support, and we'll issue you an RA. Then, you'll need to send the unit to us using a trackable, pre-paid freight method. We suggest using USPS Priority or UPS. Make sure you carefully pack the fixture for transit, and whenever possible, use the original box & packing for shipping.

When returning your fixture for service, be sure to include the following:

- 1.) Your contact information (Name, Address, Phone Number, Email address).
- 2.) The RA# issued to you
- 3.) A brief description of the problem/symptoms.

We will, at our discretion, repair or replace the fixture. Please remember that any shipping damage which occurs in transit to us is the customer's responsibility, so pack it well!

Shipping Issues

Damage incurred in shipping is the responsibility of the shipper, and must be reported to the carrier immediately upon receipt of the items. Claims must be made within seven (7) days of receipt.

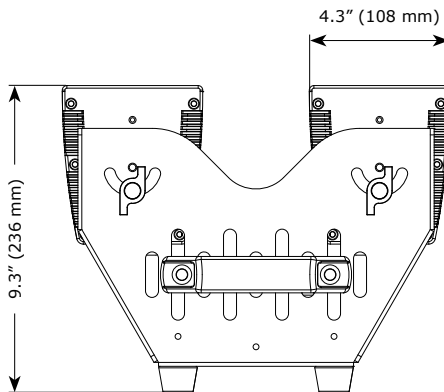
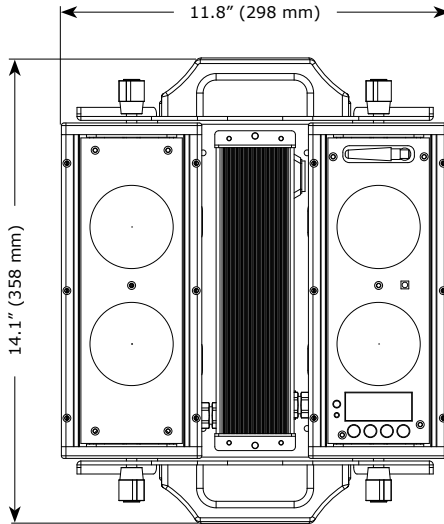
Tech Specs!

Weight & Dimensions							
Width	14.1 inches (358 mm)						
Depth	11.8 inches (298 mm)						
Height	9.3 inches (236 mm)						
Weight	21 lbs (9.52 kg)						
Power							
Operating Voltage	100V-264VAC, 47-63HZ						
Power Consumption	100W, 1.4A, PF: .6						
Light Source							
LED	4x 25W RGBAW 5-in-1 COB LEDs						
Optical							
Beam Angle	25° beam angle						
Luminous Intensity	Lux/m	Red	Green	Blue	Amber	White	All
	1m	3,885	5,380	3,071	1,600	5,950	17,140
	2m	1,390	1,477	1,108	524	1,503	5,600
	3m	652	693	552	254	653	2,619
	4m	382	387	325	169	370	1,478
5m	278	274	235	135	261	970	
Thermal							
Max. Operating Temp.	104 degrees F (40 degrees C) ambient						
Control							
Protocol	USITT DMX-512						
DMX Channels	5/6/11/10/11/16-channel DMX						
Input	3-pin XLR Male						
Output	3-pin XLR Female						
Other Operating Modes	Standalone, Master/Slave, Color Preset						
Warranty	2-year limited warranty, does not cover malfunction caused by damage to LEDs.						

DISCLAIMER:

The power connector fitted to the fixture and fixture cord are designed for compatibility with products manufactured by Neutrik AG, Neutrik USA and their related entities, however they are not manufactured by, affiliated with or endorsed by Neutrik AG, Neutrik USA, or any related entity. Neutrik® and powerCON® are registered trademarks of Neutrik AG.

Dimensional Drawings



This page is intentionally left blank.



**Enjoy your product!
Our sincerest thanks for your purchase!
--The team @ Blizzard Lighting**