

## Model Series 100LVC Volume Controls



Compact, easy-install volume controls with rotary switch provide precise level adjustment of single or multiple speaker lines. Varied styles of wall plate. See model numbers in chart on next page.

### Features

- 100W power rating
- 3dB per step attenuation
- Rotary switch (10–Off). Stops at "Off" and "10" (non-continuous rotation).
- Easy-connect, phoenix style plug-in screw termination strips for pre-wire convenience; wire capacity up to 14-gauge.
- Standard or decorator style one-gang wall plate in various colors
- Fits standard single gang E.O. box with minimum depth of 2.125" (order separately)
- ETL Listed

### Options & Accessories (order separately)

- **Surface-Mount Box (P1X):** One-gang steel surface box with knockouts and white finish. 4.625"H x 2.875"W x 2.5"D. Includes two U-clips.
- **Rackmount Panel with eight positions (D8P-ID-3):** 3U x 19"W panel will hold up to eight volume controls. Rear lacing flange for wire management. Plastic window for paper label.
- **Rackmount Panel with nine positions (D9P-ID-3):** 3U x 19"W panel has narrow spacing to hold up to nine volume controls. Panel also accepts two-gang devices mounted in alternate spacing. Rear lacing flange for wire management. Plastic window for paper label.

### A&E Specifications

The ETL Listed volume control shall be Lowell Model \_\_\_\_\_ with 100W power rating and 3dB per step attenuation. It shall include a \_\_\_\_\_ (standard, decorator style) one-gang wall plate with \_\_\_\_\_ (black, white, almond, stainless steel & black, stainless steel & white) finish. The device shall mount in an E.O. box with minimum inside dimensions of 1.875"W x 2.688"H x 2.125"D (box not included).



White standard style



Stainless Steel standard style



Almond standard style



White decorator style



Black decorator style



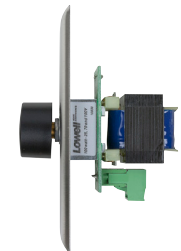
Almond decorator style



Stainless Steel & White decorator style



Stainless Steel & Black decorator style



Side View



Optional P1X surface box



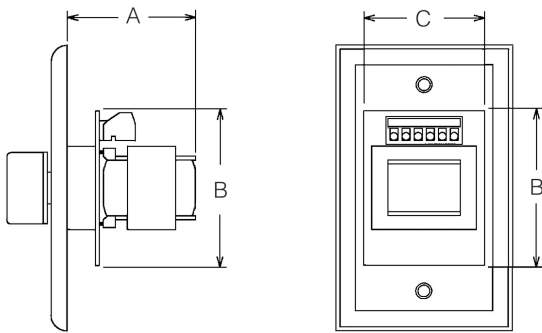
Optional D8P-ID-3 rackmount panel with mounted volume controls and DBB blank filler plates for unused positions

## Model No. Summary

Model No.	Power Rating	Type	Switch Type	Switch Positions	Attenuation * Step / Total	Plate Style	Plate Finish
100LVC	100W	Auto-trans	Rotary	10-off	3dB / 33dB	Standard style	Stainless steel
100LVC-SW	100W	Auto-trans	Rotary	10-off	3dB / 33dB	Standard style	White
100LVC-SA	100W	Auto-trans	Rotary	10-off	3dB / 33dB	Standard style	Almond
100LVC-DW	100W	Auto-trans	Rotary	10-off	3dB / 33dB	Decorator style	White
100LVC-DB	100W	Auto-trans	Rotary	10-off	3dB / 33dB	Decorator style	Black
100LVC-DA	100W	Auto-trans	Rotary	10-off	3dB / 33dB	Decorator style	Almond
100LVC-DSW	100W	Auto-trans	Rotary	10-off	3dB / 33dB	Decorator style	Stainless steel & white
100LVC-DSB	100W	Auto-trans	Rotary	10-off	3dB / 33dB	Decorator style	Stainless steel & black

\* Two steps of 6dB each before "Off"

## Technical



Model Series	Plate Width	Plate Height	A	B	C
100LVC	2.75"	4.5"	2.125"	2.5"	1.875"

### Mounts E.O. Boxes Noted:

- 4"Sq x 2.125"D with raised mud ring (RACO 232, 235, or equiv.)
- 1-gang handy box 2.125"D (RACO 670, 671, 678, or equiv.) \*\*
- 2-gang switch box 2.125"D (RACO 680, 681, 683, 685, or equiv.) \*
- Multi-gang switch box 2.5"D (RACO 686, 687, or equiv.) \*
- Lowell P1X surface box

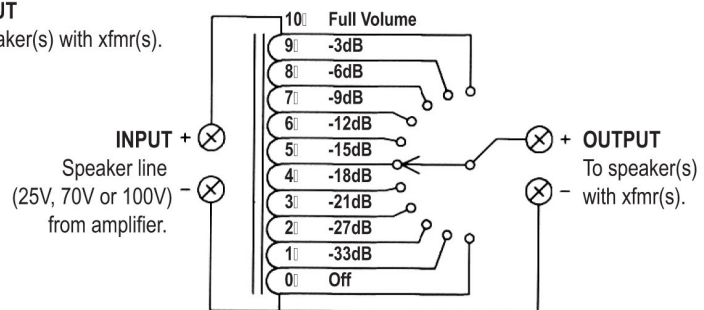
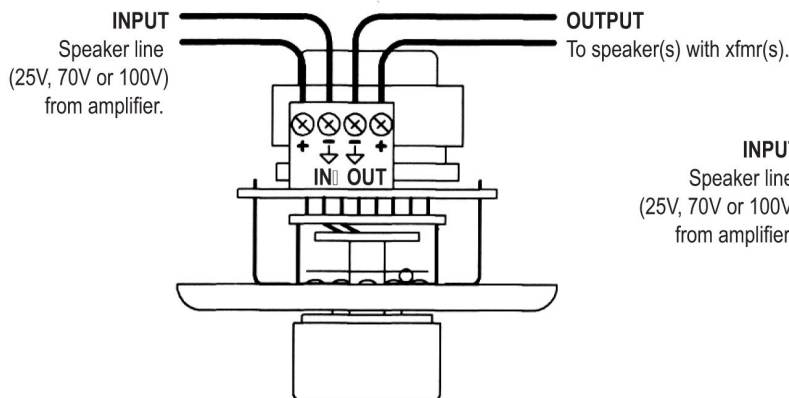
\* Two-gang and multi-gang switch boxes noted are for use with decorator style units in multi-device installations (multi-gang trim plate by others).

\*\* 100W units are deeper than other LVC models so a one-gang handy box will allow only minimal room for control and wiring.



Mounts in E.O. box with minimum opening of 1.875"W x 2.688"H x 2.125"D

## Wiring & Schematics



Series 25LVC, 50LVC, 100LVC (33dB total)  
 Model 10015LVC is similar with 1.5dB/step (13.5dB total)