

ELX200 Passive Loudspeakers

ELX200-10 | ELX200-12 | ELX200-15 | ELX200-12S | ELX200-18S

en | Installation manual

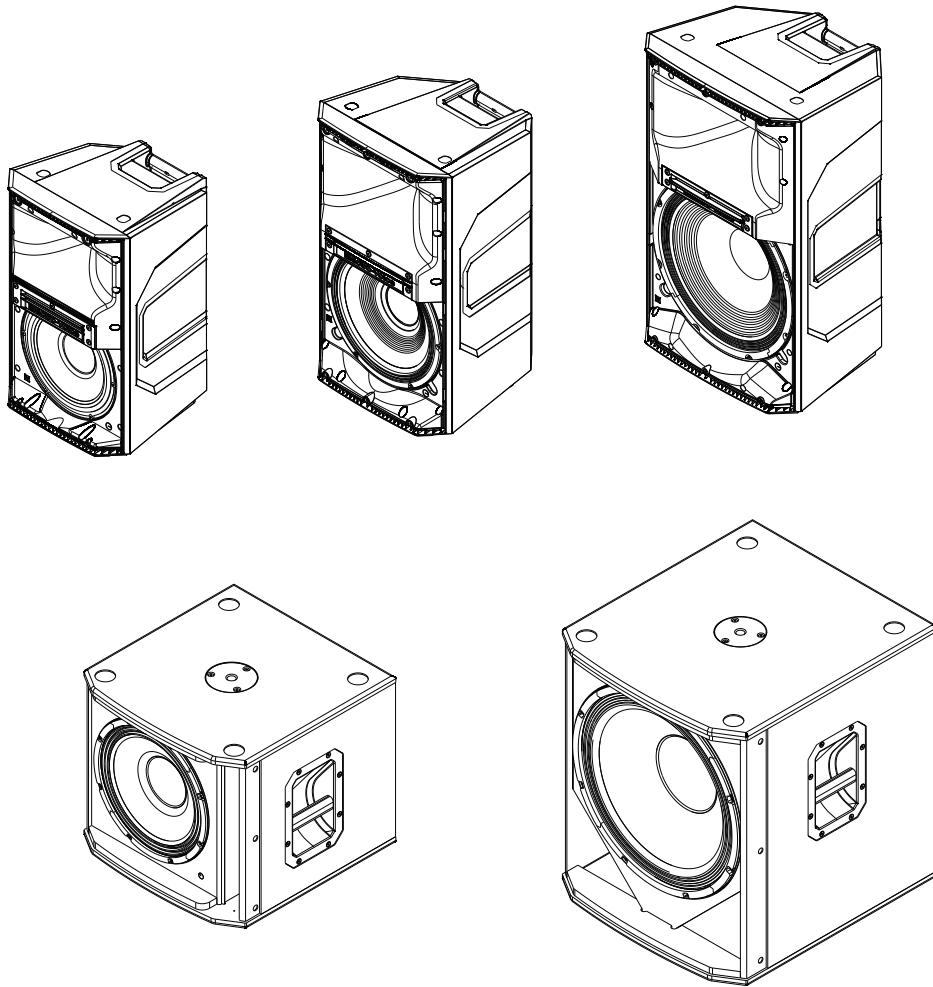


Table of contents

1	Safety	4
1.1	Important safety instructions	4
1.2	Suspension	4
1.3	Precautions	5
1.4	Notices	5
2	Description	6
2.1	System features	6
3	Tripod and floor monitor operation	8
3.1	Tripod or pole mount	8
3.2	Floor monitor	10
4	Suspension	11
5	Recommended configurations	14
5.1	Basic stereo system using full-range systems	14
5.2	Using full-range systems as stage monitors	15
5.3	Stacking full-range systems with subwoofers	16
6	Troubleshooting	18
7	Technical data	19
7.1	Dimensions	20
7.2	Frequency response	21

1 Safety

1.1 Important safety instructions

1. Read these instructions.
2. Keep these instructions.
3. Heed all warnings.
4. Follow all instructions.
5. Clean only with a dry cloth.
6. Do not install near any heat sources such as radiators, heat registers, stoves, or other apparatus (including amplifiers) that produce heat.
7. Only use attachments/accessories specified by the manufacturer.
8. Use only with the cart, stand, tripod, bracket, or table specified by the manufacturer, or with the apparatus. When a cart is used, use caution when moving the cart/apparatus combination to avoid injury from tip-over.

1.2 Suspension

Warning!



Suspending any object is potentially dangerous and should only be attempted by individuals who have a thorough knowledge of the techniques and regulations of suspending objects overhead. Electro-Voice strongly recommends all loudspeakers be suspended taking into account all current national, federal, state, and local laws and regulations. It is the responsibility of the installer to ensure all loudspeakers are safely installed in accordance with all such requirements. When loudspeakers are suspended, Electro-Voice strongly recommends the system be inspected at least once per year or as laws and regulations require. If any sign of weakness or damage is detected, remedial action should be taken immediately. The user is responsible for making sure the wall, ceiling, or structure is capable of supporting all objects suspended overhead. Any hardware used to suspend a loudspeaker not associated with Electro-Voice is the responsibility of others.




Warning!



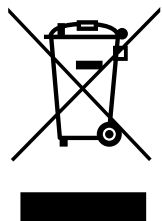
Do not suspend this product in any other manner than explicitly described in this manual, or Electro-Voice installation guides. Do NOT use handles to suspend the loudspeaker. Handles on Electro-Voice loudspeakers are intended to only be used for temporary transport by people. Items, such as fiber rope, wire rope, cables, or other types of materials cannot be used to suspend loudspeaker from the handles.

1.3

Precautions

	<p>Do not use Electro-Voice loudspeakers in an environment where temperatures are below 0°C (32°F) or exceed +40°C (104°F).</p>
	<p>Never expose an Electro-Voice loudspeaker to rain, water, or high moisture.</p>
	<p>Electro-Voice loudspeakers are easily capable of generating sound pressure levels sufficient to cause permanent hearing damage to anyone within normal coverage distance. Caution should be taken to avoid prolonged exposure to sound pressure levels exceeding 90 dB.</p>

1.4



Notices

Old electrical and electronic appliances

Electrical or electronic devices that are no longer serviceable must be collected separately and sent for environmentally compatible recycling (in accordance with the European Waste Electrical and Electronic Equipment Directive).

To dispose of old electrical or electronic devices, you should use the return and collection systems put in place in the country concerned.

Copyright and disclaimer

All rights reserved. No part of this document may be reproduced or transmitted in any form by any means, electronic, mechanical, photocopying, recording, or otherwise, without the prior written permission of the publisher. For information on getting permission for reprints and excerpts, contact Electro-Voice.

The content and illustrations are subject to change without prior notice.

2 Description

Thank you for choosing an Electro-Voice passive loudspeaker system. Please take time to consult the manual to understand all the features built into your EV system and fully utilize its performance capabilities.

ROCK SOLID SOUND: Electro-Voice ELX200 portable loudspeakers

The ELX200 series is the newest member of the best-selling Electro-Voice portable loudspeaker family. Positioned above ZLX and below the EKX series, the ELX200 series features ten models (five powered and five passive), including 10-inch, 12-inch and 15-inch two-way models, and 12-inch and 18-inch subwoofers.

The ELX200 series is designed to deliver an unprecedented combination of sound quality, portability and durability at its price point. All-new custom components—tested to levels far exceeding the industry norm—make ELX200 a robust workhorse capable of handling real-world abuse and professional applications beyond the capability of competitors' products in its category.

Every aspect of ELX200 is designed for ideal results as part of the whole - the acoustical, electrical and mechanical components all work together seamlessly. The full-range models feature a low profile form factor designed with a high-spec composite enclosure to balance weight, manageability, as well as structural integrity. The subwoofers pack powerful low-frequency output into a surprisingly compact footprint, and feature tuned 15 mm thick wood enclosures with a premium top-coat finish. The proprietary features that have made the other members of the EV portable speaker family a go-to for best-in-class performance are also present: Signal Synchronized Transducers (SST) waveguide concept.

EV's industry-leading quality and testing procedures yield efficient transducer design and *meaningful* specs, resulting in components that deliver accurate, linear response at the system's highest output levels. Translation: loud *and* clear all the way up to the limit. Unified in one of the strongest full-range composite enclosures ever built by EV. The ELX200 is established as the new benchmark for toughness - both acoustically and physically; maximum efficiency with maximum toughness.

2.1 System features

ELX200-10 – 10" two-way passive loudspeaker system

- 1200 W (Peak), 127 dB peak SPL system that is reliability verified with over 500 hours of abuse testing and endurance testing to 4x typical industry practices.
- 1.4 inch DH-1C (1 inch exit) titanium compression driver for extended transparent high-frequency response.
- High-output EVS-10M woofer designed to exacting specifications for superior durability and exceptional low-frequency reproduction.
- EV-patented Signal Synchronized Transducers (SST) waveguide design provides precise and consistent coverage, minimal distortion, and maximized acoustical loading.
- Professional-grade hardware: three M10 threaded mounting points for forged eyebolts, integrated pole-mounts and the proven ZLX two-handle design for easy lifting.

ELX200-12 – 12" two-way passive loudspeaker system

- 1200 W (peak), 128 dB peak SPL system that is reliability verified with over 500 hours of abuse testing and endurance testing to 4x typical industry practices.
- 1.4 inch DH-1C (1 inch exit) titanium compression driver for extended transparent high-frequency response.
- High-output EVS-12M woofer designed to exacting specifications for superior durability and exceptional low-frequency reproduction.
- EV-patented Signal Synchronized Transducers (SST) waveguide design provides precise and consistent coverage, minimal distortion, and maximized acoustical loading.
- Professional-grade hardware: three M10 threaded mounting points for forged eyebolts, integrated pole-mounts and the proven ZLX three-handle design for easy lifting.

ELX200-15 – 15" two-way passive loudspeaker system

- 1200 W (peak), 130 dB peak SPL system that is reliability verified with over 500 hours of abuse testing and endurance testing to 4x typical industry practices.
- 1.4 inch DH-1C (1 inch exit) titanium compression driver for extended transparent high-frequency response.
- High-output EVS-15M woofer designed to exacting specifications for superior durability and exceptional low-frequency reproduction.
- EV-patented Signal Synchronized Transducers (SST) waveguide design provides precise and consistent coverage, minimal distortion, and maximized acoustical loading.
- Professional-grade hardware: three M10 threaded mounting points for forged eyebolts, integrated pole-mounts and the proven ZLX three-handle design for easy lifting.

ELX200-12S – 12" passive subwoofer system

- 1600 W (peak), 129 dB peak SPL utilizing high-sensitivity transducer designed and engineered by EV for maximum punch.
- High-output EVS-12L woofer designed to exacting specifications for superior durability and exceptional low-frequency reproduction.
- System reliability verified with over 500 hours of abuse testing and endurance testing.
- Ideal for portable and installed applications. Lightweight, compact 15 mm wood enclosure with internal bracing with durable polyurea top-coat finish.
- Professional-grade hardware: integrated M20 threaded pole mount plate and two-handle design for easy lifting.

ELX200-18S – 18" passive subwoofer system

- 1600 W (peak), 133 dB peak SPL utilizing high-sensitivity transducer designed and engineered by EV for maximum punch.
- High-output EVS-18L woofer designed to exacting specifications for superior durability and exceptional low-frequency reproduction.
- System reliability verified with over 500 hours of abuse testing and endurance testing.
- Ideal for portable and installed applications. Lightweight, compact 15 mm wood enclosure with internal bracing with durable polyurea top-coat finish.
- Professional-grade hardware: integrated M20 threaded pole mount plate and two-handle design for easy lifting.

3 Tripod and floor monitor operation

3.1 Tripod or pole mount

ELX200-10, ELX200-12, and ELX200-15 loudspeakers mount on a tripod stand or on a pole above a subwoofer.

Mounting a loudspeaker on a tripod stand

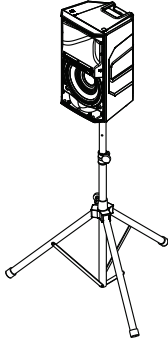


Figure 3.1: Full-Range models on a tripod stand



Caution!

Tripod is not evaluated for safety with this loudspeaker. Check the specifications of the tripod stand to be certain it is capable of supporting the weight of the loudspeaker.



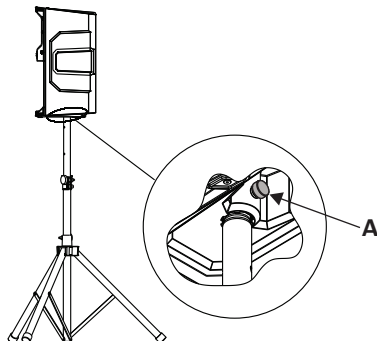
Caution!

Two person lift and placement is recommended for the heavier loudspeakers. Single person lift and placement of heavier loudspeakers could cause injury.

To **mount a loudspeaker on a tripod stand**, do the following:

1. Place the **tripod stand** on a level and stable surface.
 - Fully extend the legs on the tripod stand.
 - Do not compromise the tripod stands structural integrity by trying to make the stand taller.
 - Do not attempt to suspend more than one loudspeaker on a stand designed for a single loudspeaker.
2. Using two hands lift the **loudspeaker**.
3. Set the **pole cup** located on the bottom of the loudspeaker onto the pole.
4. Tighten the **thumb screw (A)** to secure the loudspeaker to the pole.

The thumb screw is only available on the 12" and 15" full-range loudspeaker models. The 10" full-range loudspeaker does not have a thumb screw.



Mounting a loudspeaker on a pole

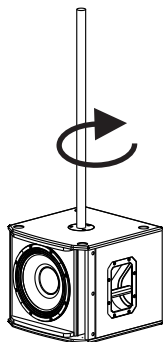


Caution!

Two person lift and placement is recommended for the heavier loudspeakers. Single person lift and placement of heavier loudspeakers could cause injury.

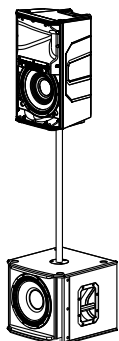
To **mount a loudspeaker on a pole**, do the following:

1. Place the **subwoofer** on a level and stable surface.
2. Insert the **M20 threaded pole** into the combo pole cup on the top of the subwoofer.
3. Turn the **M20 threaded pole** clockwise to secure the pole to the subwoofer.



4. Using two hands lift the **loudspeaker**.
5. Set the **pole cup** located on the bottom of the loudspeaker onto the pole.
6. Tighten the **thumb screw** to secure the loudspeaker to the pole.

The thumb screw is only available on the 12" and 15" full-range loudspeaker models. The 10" full-range loudspeaker does not have a thumb screw.



3.2 Floor monitor

ELX200-10, ELX200-12, and ELX200-15 loudspeakers may be used as a floor monitor by placing the loudspeaker on the integral monitor angle.

To **set up a loudspeaker as a floor monitor**, do the following:

1. Place the **loudspeaker** on a level and stable surface.
2. Safely route **cables** to prevent injury to performers, production crew, and audience members.



Notice!

Secure cables with wire ties or tape whenever possible.

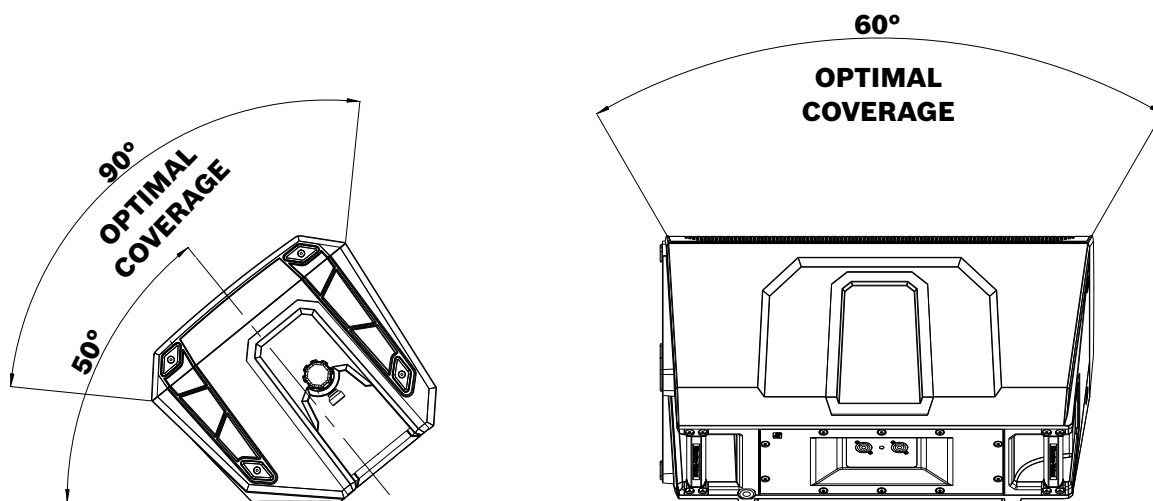


Figure 3.2: Optimum coverage in monitor position (side view left and front view right)

4 Suspension

The ELX200 enclosures have three M10 threaded points; two points on top of the enclosure and one point on the bottom. Forged shoulder eyebolts rated for overhead suspension may be used to suspend an individual loudspeaker, such as the EBK1-M10-3PACK accessory.



Warning!

Suspending any object is potentially dangerous and should only be attempted by individuals who have a thorough knowledge of the techniques and regulations of suspending objects overhead. Electro-Voice strongly recommends all loudspeakers be suspended taking into account all current national, federal, state, and local laws and regulations. It is the responsibility of the installer to ensure all loudspeakers are safely installed in accordance with all such requirements. When loudspeakers are suspended, Electro-Voice strongly recommends the system be inspected at least once per year or as laws and regulations require. If any sign of weakness or damage is detected, remedial action should be taken immediately. The user is responsible for making sure the wall, ceiling, or structure is capable of supporting all objects suspended overhead. Any hardware used to suspend a loudspeaker not associated with Electro-Voice is the responsibility of others.

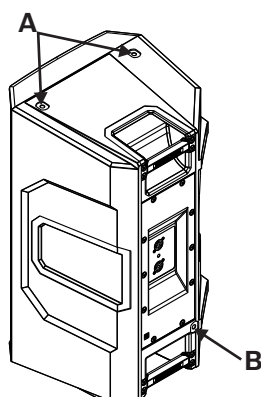


Figure 4.1: Suspension points (A top, B bottom)

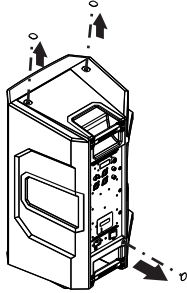
Prior to use, inspect the suspension points and associated hardware for any cracks, deformations, broken welds, corrosion, missing or damaged components which could reduce the suspension points strength. Replace any damaged hardware. Never exceed the limitations or maximum recommended load intended for the suspension points. As an added safety measure, it is suggested the user install an extra suspension point back to the building structural supports. This redundant safety point should have as little slack as possible (less than one inch is preferable). Prior to each use, inspect the loudspeaker enclosures for any cracks, deformations, missing or damaged components, which could reduce enclosure strength. Replace any loudspeaker systems that are damaged or missing hardware.

ELX200 Passive Loudspeakers

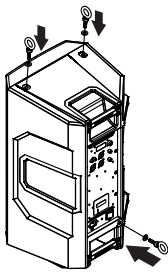
Installing the eyebolts

To **install the eyebolts**, do the following:

1. Remove the three **fly point covers** from the suspension points.



2. Install **M10 eyebolts and washers** into the suspension points.



Warning!

Eyebolts must be fully seated and oriented in the plane of pull. Always use washers under the eyebolt to distribute the load on the enclosure.

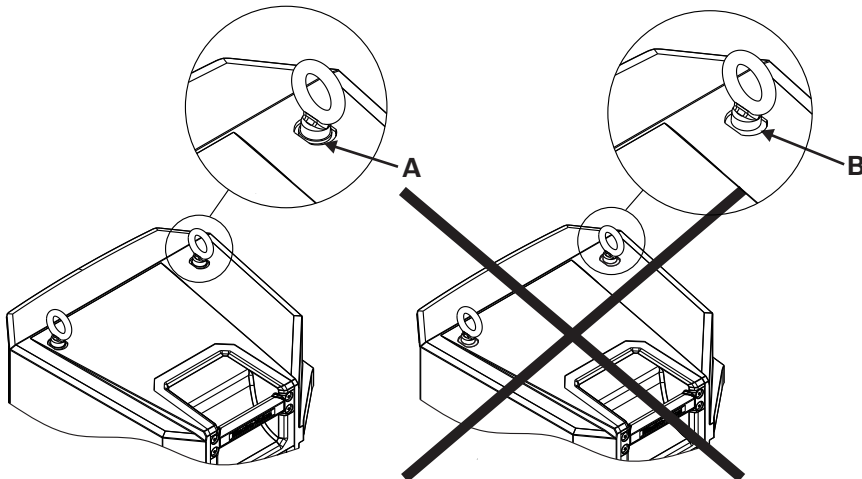


Figure 4.2: Eyebolt shown with washers (A) and without washers (B)

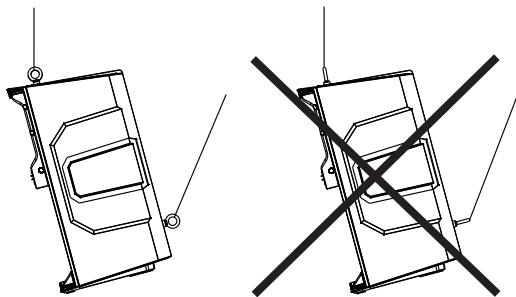


Figure 4.3: Eyebolts shown orientated in the plane of pull (left correct, right incorrect)



Warning!

Never exceed the limitations or maximum recommended working load for Electro-Voice loudspeakers.

Disregarding this warning could result in serious injury or death.

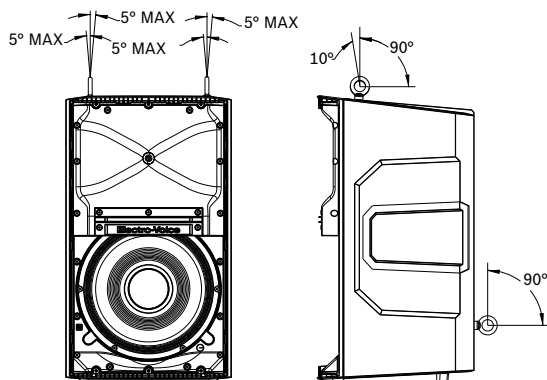


Figure 4.4: Maximum working load - vertical orientation 50 lb per suspension point



Warning!

Never suspend ELX200 Series loudspeakers in a vertical column array.

Disregarding this warning could result in serious injury or death.

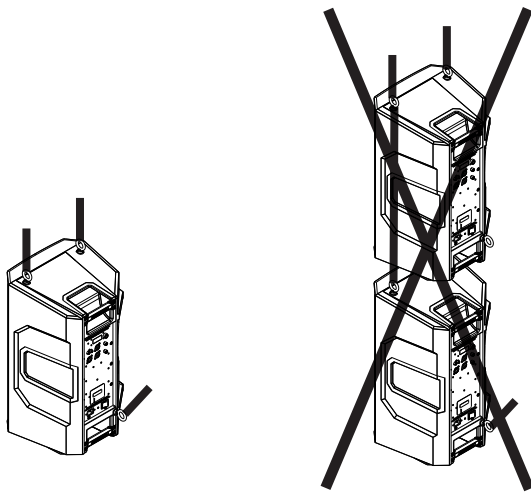
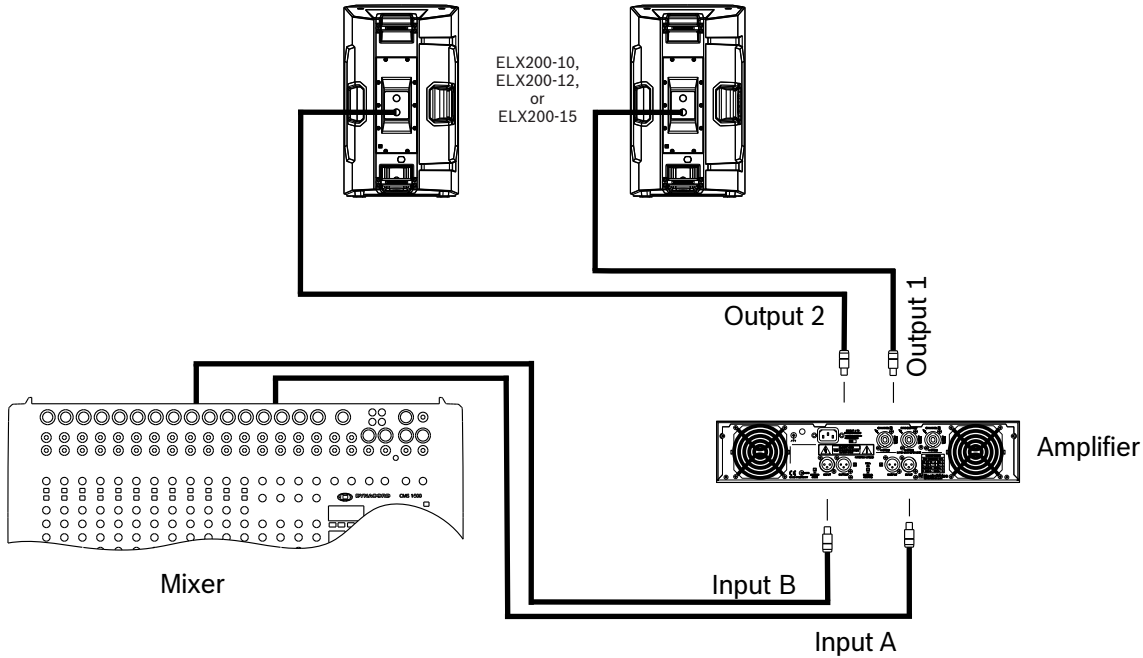


Figure 4.5: Loudspeaker vertical suspension (Correct, left; Incorrect, right)

5 Recommended configurations

5.1 Basic stereo system using full-range systems

Basic stereo system using ELX200-10, ELX200-12 or ELX200-15 loudspeakers (ELX200-15 versions shown).



NL4 Pin Configuration	
Pin 1+ and 1-	Used
Pin 2+ and 2-	Not used



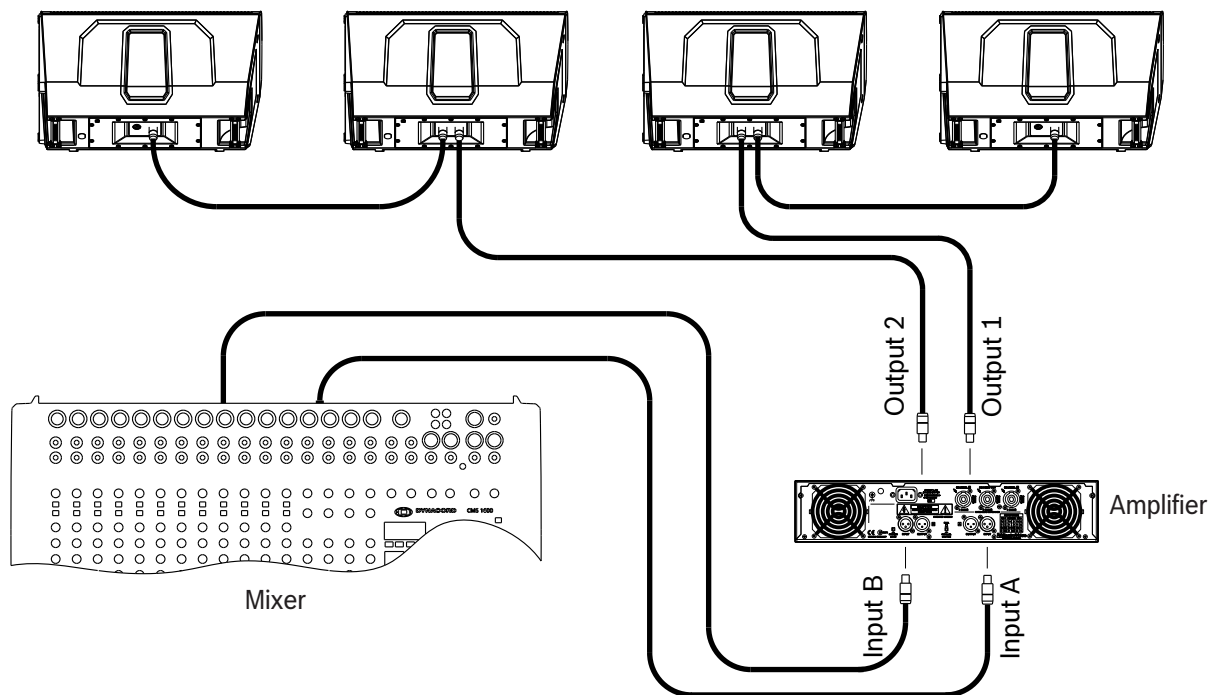
Caution!

Do not exceed the maximum load rating of the amplifier.

Amplifier Load (per Output Channel)		
# of Speakers	Nominal	Minimum
1	8 Ohms	7.2 Ohms
2	4 Ohms	3.6 Ohms
3	2.7 Ohms	2.4 Ohms
4	2 Ohms	1.8 Ohms

5.2 Using full-range systems as stage monitors

Multiple ELX200-10, ELX200-12 or ELX200-15 loudspeakers in monitor position (ELX200-15 versions shown).



NL4 Pin Configuration	
Pin 1+ and 1-	Used
Pin 2+ and 2-	Not used



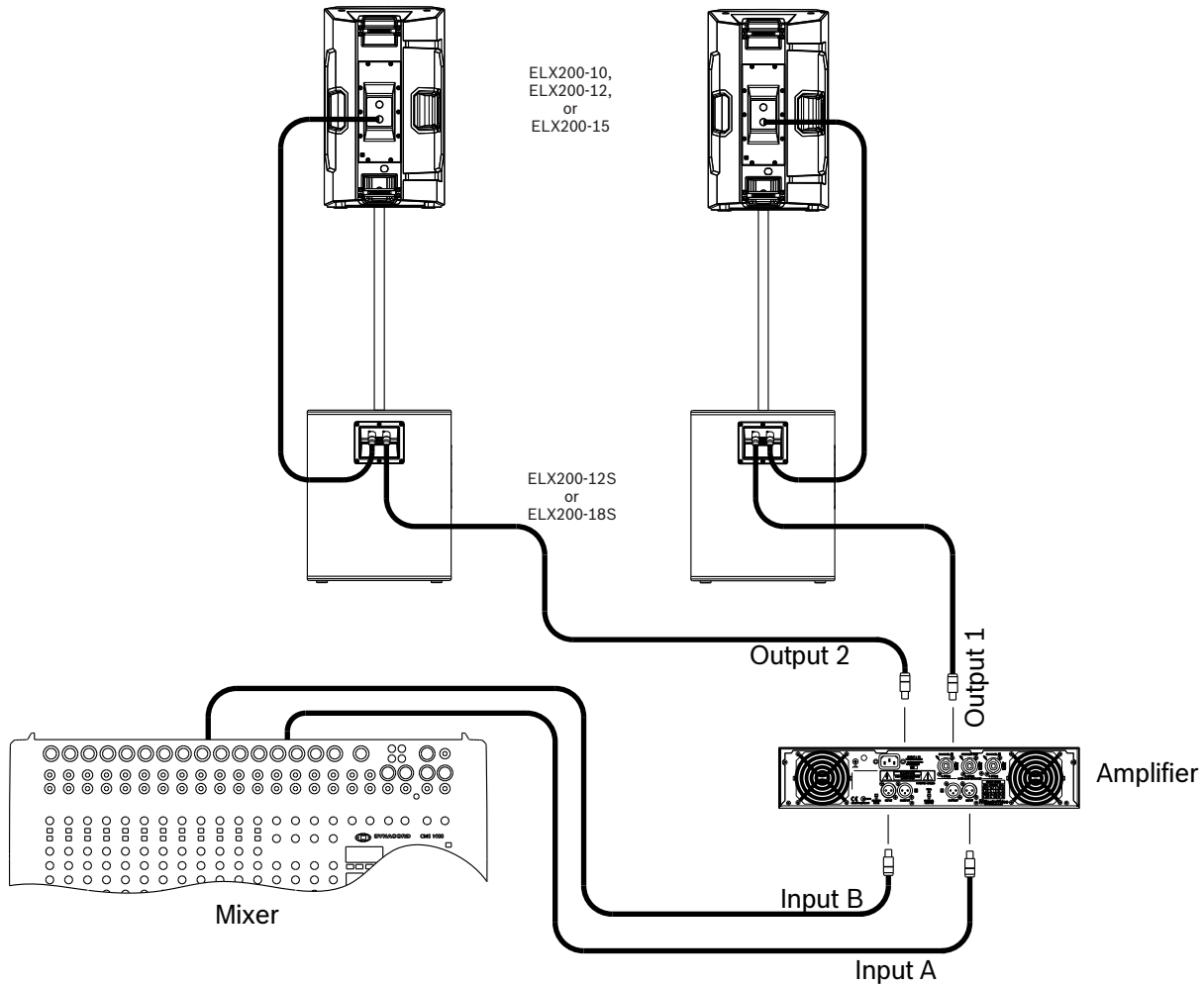
Caution!

Do not exceed the maximum load rating of the amplifier.

Amplifier Load (per Output Channel)		
# of Speakers	Nominal	Minimum
1	8 Ohms	7.2 Ohms
2	4 Ohms	3.6 Ohms
3	2.7 Ohms	2.4 Ohms
4	2 Ohms	1.8 Ohms

5.3 Stacking full-range systems with subwoofers

This configuration allows a user to increase the low frequency performance without using additional amplifier channels (ELX200-15 and ELX200-18S versions shown).



NL4 Pin Configuration	
Pin 1+ and 1-	Used
Pin 2+ and 2-	Not used



Caution!

Do not exceed the maximum load rating of the amplifier.

Amplifier Load (per Output Channel)		
# of Subwoofer/Full-Range Combinations	Nominal	Minimum
1	4 Ohms	3.8 Ohms
2	2 Ohms	1.9 Ohms

6 Troubleshooting

Problem	Possible Cause(s)	Action
1. No sound	Amplifier	Connect a known working test loudspeaker to the amplifier outputs. If there is no sound, verify all the electronics are on, the signal routing is correct, the source is active; the volume is turned up, etc. Correct/repair/replace as necessary. If there is sound, the problem is in the wiring.
	Wiring	Verify you have connected the correct cables to the amplifier. Play something at a low level through the amplifier. Connect the test loudspeaker in parallel with the malfunctioning line. If the sound level is gone or is very weak, the line has a short in it (possibly a severe scrape, pinch, or a missed connection). Using the test loudspeaker, move down the line and test each connection/junction until you find the problem and correct it. Observe proper polarity.
2. Poor Low-Frequency Response	Loudspeakers wired out-of-polarity	When two loudspeakers are connected out of polarity, the low frequencies will cancel each other acoustically. Carefully observe the wire markings or tracers on your loudspeaker wires. Verify the amplifier (+) terminal is connected to pin 1+ of the NL4 connector and the amplifier (-) terminal is connected to pin 1-of the NL4 connector.
3. Intermittent output such as cracking or distortion	Faulty connection	Check all connections at amplifier and loudspeakers to ensure they are all clean and tight. If the problem persists, check the wiring. See problem 1.
4. Constant noise such as buzzing, hissing or humming	Defective source or other electronic device	If noise is present, but no program material is playing, evaluate each component as necessary to isolate the problem. Most likely there is a break in the signal path.
	Poor system grounding or ground loop	Check and correct the system grounding, as required.

If these suggestions do not solve your problem, contact your nearest Electro-Voice dealer or Electro-Voice distributor.

7 Technical data

ELX200-10, ELX200-12, and ELX200-15

	ELX200-10	ELX200-12	ELX200-15
Freq. response (-3 dB):	65 Hz - 20 kHz ¹	77 Hz - 17 kHz ¹	77 Hz - 16 kHz ¹
Freq. range (-10 dB):	49 Hz - 22 kHz ¹	51 Hz - 20 kHz ¹	52 Hz - 19 kHz ¹
Axial sensitivity:	90 dB ¹	93 dB ¹	95 dB ¹
Maximum SPL:	127 dB ^{1,2}	128 dB ^{1,2}	130 dB ^{1,2}
Recommended high-pass freq.:	55 Hz	50 Hz	42 Hz
Coverage (H x V):	90° x 60°		
Power handling:	300 W Continuous, 1200 W Peak		
LF transducer:	EVS-10M 254 mm (10 in)	EVS-12M 300 mm (12 in)	EVS-15M 381 mm (15 in)
HF transducer:	DH-1C 1-inch titanium compression driver		
Crossover freq.:	2 kHz	1.7 kHz	1.6 kHz
Nominal impedance:	8 Ω		
Minimum impedance:	7.2 Ω	7.5 Ω	7.0 Ω
Connectors:	Dual NL4		
Enclosure:	Polypropylene		
Grille:	18 AWG steel with powdercoat		
Suspension:	(3) M10 suspension points		
Color:	Black		
Dimensions (H x W x D): mm (in)	531 x 330 x 319 (21.0 x 13.0 x 12.6)	629 x 363 x 344 (24.8 x 14.3 x 13.6)	710 x 423 x 384 (28.0 x 16.6 x 15.1)
Net weight:	13.4 kg (29.6 lb)	15.2 kg (33.4 lb)	18.7 kg (41.2 lb)
Shipping weight:	15.3 kg (33.7 lb)	17.1 kg (37.7 lb)	21.4 kg (47.2 lb)

¹Full-space measurement.

²Maximum SPL is measured at 1 m using broadband pink noise at rated peak power rating.

ELX200 Passive Loudspeakers

ELX200-12S and ELX200-18S

	ELX200-12S	ELX200-18S
Freq. response (-3 dB):	42 Hz - 220 Hz ¹	45 Hz - 200 Hz ¹
Freq. range (-10 dB):	33 Hz - 300 Hz ¹	28 Hz - 300 Hz ¹
Axial sensitivity:	93 dB ¹	94 dB ¹
Maximum SPL:	129 dB ^{1,2}	133 Hz ^{1,2}
Recommended high-pass freq.:	42 Hz	35 Hz
Power handling:	400 W Continuous, 1600 W Peak	
LF transducer:	EVS-12L 300 mm (12 in)	EVS-18L 457 mm (18 in)
Nominal Impedance:	8 Ω	
Minimum impedance:	6.9 Ω	7.2 Ω
Connectors:	Dual NL4	
Enclosure:	15 mm plywood with durable polyurea top-coat finish	
Grille:	18 AWG steel with powdercoat	
Color:	Black	
Dimensions (H x W x D): mm (in)	397 x 445 x 457 16.7 x 17.6 x 18.0	600 x 507 x 574 23.7 x 20.0 x 22.6
Net weight:	17.2 kg (38.0 lb)	26.6 kg (58.7 lb)
Shipping weight:	20.2 kg (44.6 lb)	30.5 kg (67.3 lb)

¹Half-space measurement.

²Maximum SPL is measured at 1 m using broadband pink noise at rated peak power rating.

7.1 Dimensions

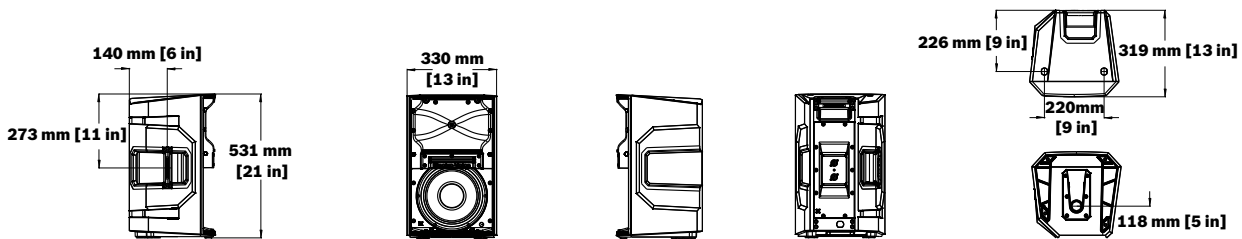


Figure 7.1: ELX200-10 dimensions

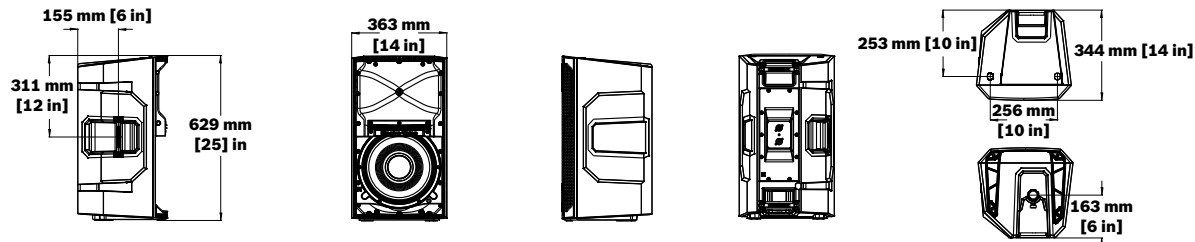


Figure 7.2: ELX200-12 dimensions

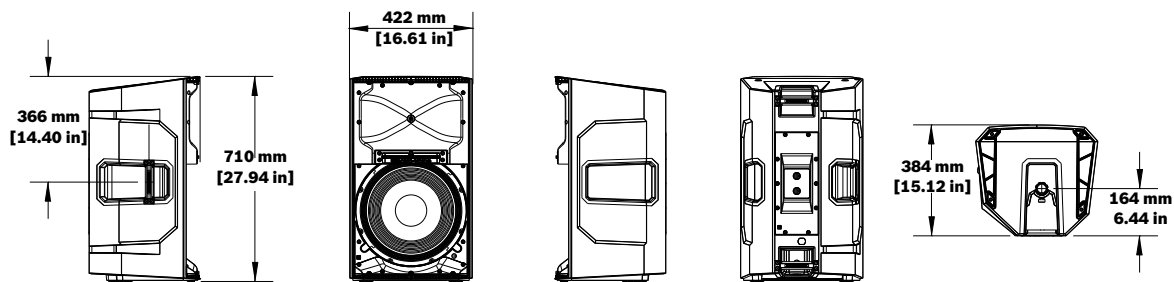


Figure 7.3: ELX200-15 dimensions

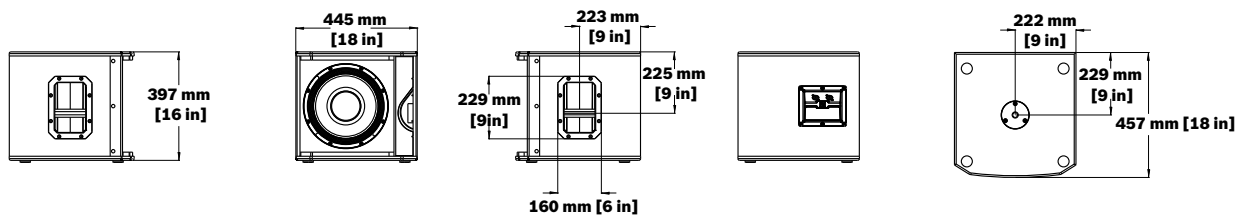


Figure 7.4: ELX200-12S dimensions

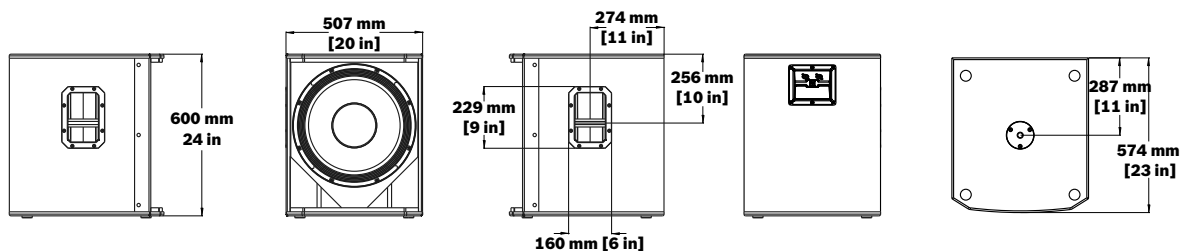


Figure 7.5: ELX200-18S dimensions

7.2 Frequency response

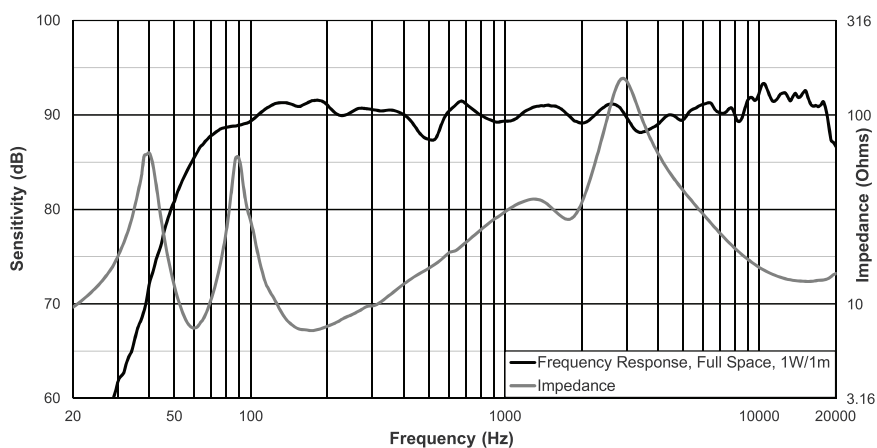


Figure 7.6: ELX200-10 frequency response and impedance

ELX200 Passive Loudspeakers

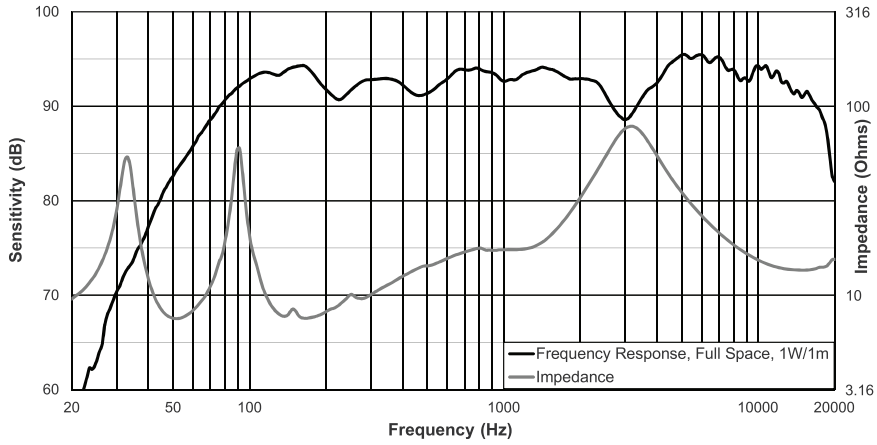


Figure 7.7: ELX200-12 frequency response and impedance

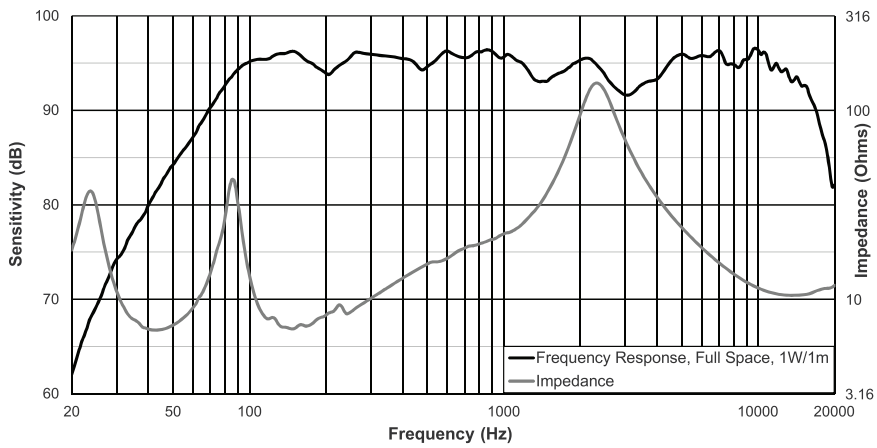


Figure 7.8: ELX200-15 frequency response and impedance

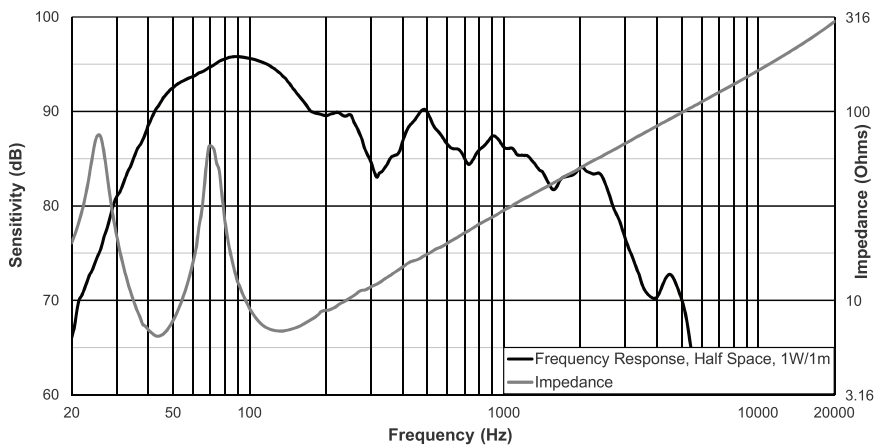


Figure 7.9: ELX200-12S frequency response and impedance

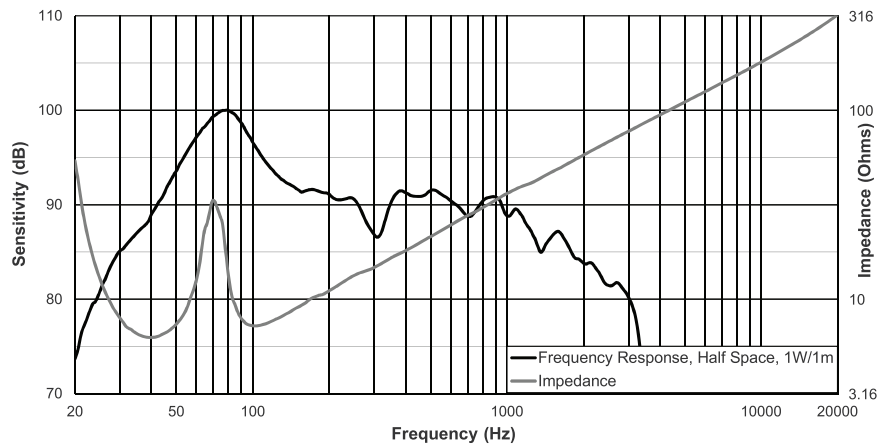


Figure 7.10: ELX200-18S frequency response and impedance

Bosch Sicherheitssysteme GmbH

Robert-Bosch-Ring 5

85630 Grasbrunn

Germany

www.boschsecurity.com

© Bosch Sicherheitssysteme GmbH, 2017

Bosch Security Systems, Inc

12000 Portland Avenue South

Burnsville MN 55337

USA

www.electrovoice.com

