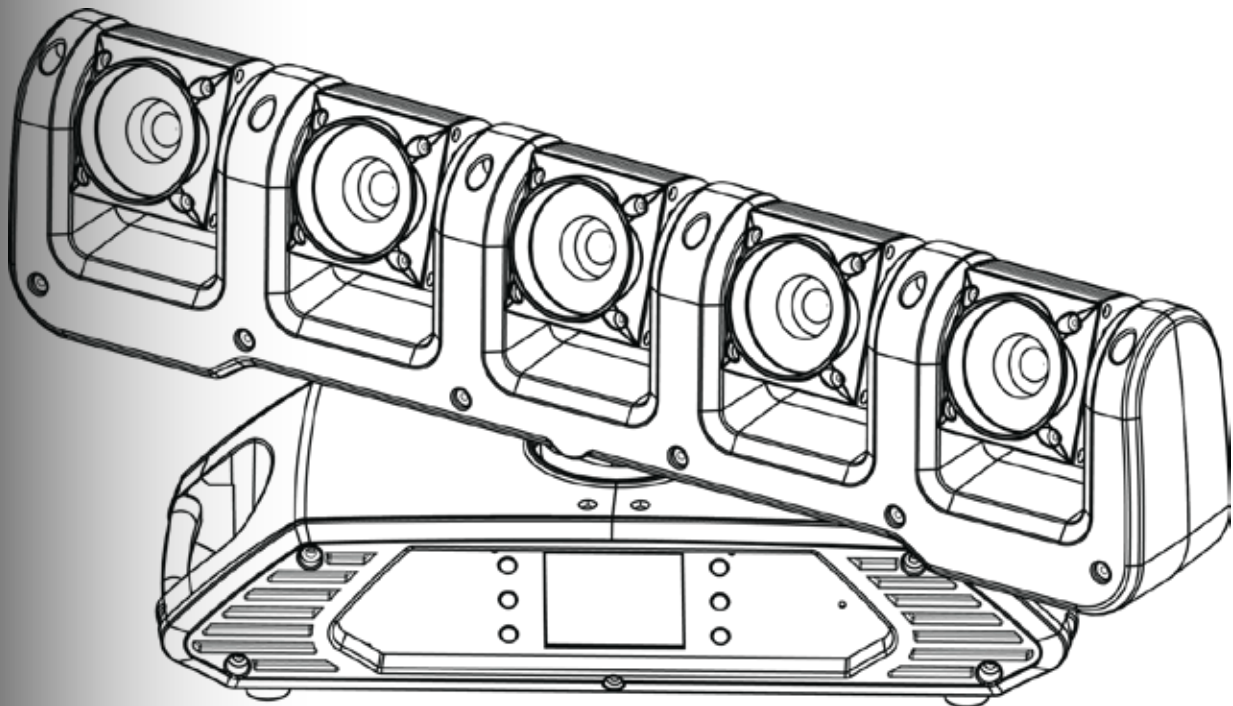


ROGUE

R1 FX-B

User Manual



CHAUVET[®]
PROFESSIONAL

Edition Notes	The Rogue R1 FX-B User Manual Rev. 8 covers the description, safety precautions, installation, programming, operation, and maintenance of the Rogue R1 FX-B. Chauvet released this edition of the Rogue R1 FX-B User Manual in January 2018.
Trademarks	CHAUVET, the Chauvet logo and Rogue R1 FX-B are registered trademarks or trademarks of Chauvet & Sons LLC. (d/b/a Chauvet and Chauvet Lighting) in the United States and other countries. Other company and product names and logos referred to herein may be trademarks of their respective companies.
Copyright Notice	The works of authorship contained in this manual, including, but not limited to, all design, text and images are owned by Chauvet. © Copyright 2018 Chauvet & Sons, LLC. All rights reserved. Electronically published by Chauvet in the United States of America.
Manual Use	Chauvet authorizes its customers to download and print this manual for professional information purposes only. Chauvet expressly prohibits the usage, copy, storage, distribution, modification, or printing of this manual or its content for any other purpose without written consent from Chauvet.
Document Printing	For better results, print this document in color, on letter size paper (8.5 x 11 in), double-sided. If using A4 paper (210 x 297 mm), configure your printer to scale the content accordingly.
Intended Audience	Any person in charge of installing, operating, and/or maintaining this product should completely read through the guide that shipped with the product, as well as this manual, before installing, operating, or maintaining this product.
Disclaimer	Chauvet believes that the information contained in this manual is accurate in all respects. However, Chauvet assumes no responsibility and specifically disclaims any and all liability to any party for any loss, damage or disruption caused by any errors or omissions in this document, whether such errors or omissions result from negligence, accident or any other cause. Chauvet reserves the right to revise the content of this document without any obligation to notify any person or company of such revision, however, Chauvet has no obligation to make, and does not commit to make, any such revisions.
Document Revision	The Rogue R1 FX-B User Manual is the latest edition of this manual. Go to www.chauvetprofessional.com for the latest version.

Table of Contents

1. Before You Begin.....	1
What Is Included	1
Claims.....	1
Manual Conventions	1
Symbols.....	1
Product At A Glance	1
Safety Notes	2
Expected LED Lifespan.....	2
2. Introduction.....	3
Description.....	3
Features	3
Overview.....	3
Dimensions	4
3. Setup.....	5
AC Power	5
AC Plug	5
Fuse Replacement	5
Power Linking.....	5
Mounting.....	6
Orientation.....	6
Signal Connections	7
Art-Net™ Connection	7
sACN Connection.....	7
Kling-Net Connection	7
4. Operation.....	8
Touchscreen Control Panel.....	8
Control Panel Description.....	8
Battery Powered Display.....	8
Menu Map.....	8
Protocol Configuration	13
Single Control	13
Single Control Protocol	13
Single Control Personality.....	13
Single Control Start Address.....	13
Single Control Universe	13
Dual Control.....	14
Dual Control Movement	14
Dual Control Movement Protocol	14
Dual Control Movement Personality.....	14
Dual Control Movement Start Address.....	14
Dual Control Movement Universe	14
Dual Control Pixel	15
Dual Control Pixel Protocol.....	15
Dual Control Pixel Personality.....	15
Dual Control Pixel Start Address.....	15
Dual Control Pixel Universe	15
Zones for Pixel control	16
DMX Values.....	16
Single Control Values.....	16
Tour 2 (52-channel)	16
Tour (47-channel)	22
Advanced Mode (47-channel).....	28

Standard Mode (25-channel)	34
Basic Mode (18-channel)	40
Dual Control Movement Values.....	45
Advanced Movement Mode (23-channel)	45
Standard Movement Mode (17-channel).....	48
Basic Movement Mode (10-channel)	51
Dual Control Pixel Values.....	53
RGBW Mode (20-channel).....	53
RGB Mode (15-channel)	53
Operating Settings Configuration	54
Home Screen	54
Test Mode.....	54
Auto Test.....	54
Manual Test	54
Setup	54
Network Settings.....	55
IP Mode.....	55
IP Address.....	55
Subnet Mask	55
Pan/Tilt Orientation	56
Display Orientation.....	56
Pan/Tilt Angle Range	56
Blackout on Pan/Tilt Movement	56
Touchscreen Calibration	56
Touchscreen Lock.....	56
Lock Screen	57
Backlight Timer	57
Loss of Data.....	57
Color Mixing Mode.....	57
Dimmer Curve.....	57
Dimmer Speed.....	58
PWM Option.....	58
Color Balance	58
Preset Select.....	58
Preset Sync.....	59
Reset Functions	59
Factory Reset.....	59
System Information	59
Offset Mode	60
5. Firmware Update.....	61
6. Technical Information.....	64
Product Maintenance	64
7. Technical Specifications	65
Photometrics Chart	66
Returns	67
Contact Us.....	68

1. BEFORE YOU BEGIN

What Is Included

- Rogue R1 FX-B
- Neutrik® powerCON® power cord
- 2 Omega brackets with mounting hardware
- Warranty card
- Quick Reference Guide

Claims

Carefully unpack the product immediately and check the box to make sure all the parts are in the package and are in good condition.




If the box or the contents (the product and included accessories) appear damaged from shipping or show signs of mishandling, notify the carrier immediately, not Chauvet. Failure to report damage to the carrier immediately may invalidate your claim. In addition, keep the box and contents for inspection.

For other issues, such as missing components or parts, damage not related to shipping, or concealed damage, file a claim with Chauvet within 7 days of delivery.

Manual Conventions

Convention	Meaning
1–512	A range of values in the text
50/60	A set of mutually exclusive values in the text
<SET>	A button on the product’s control panel
Settings	A product function or a menu option
ON	A unique value to be entered or selected in a menu

Symbols

Symbols	Meaning
	Critical installation, configuration, or operation information. Failure to comply with this information may cause the product not to work, damage third-party equipment, or cause harm to the operator.
	Important installation or configuration information. Failure to comply with this information may keep the product from working.
	Useful information.



The term “DMX” used throughout this manual refers to the USITT DMX512-A digital data transmission protocol.

Product At A Glance

Use on Dimmer	X	Auto Programs	X
Outdoor Use	X	Auto-Ranging Power Supply	P
Master/Slave	X	Replaceable Fuse	P
DMX	P	User-Serviceable	X

Safety Notes

Read all the following Safety Notes before working with this product. These notes include important information about the installation, usage, and maintenance of this product.



This product contains no user-serviceable parts. Any reference to servicing in this User Manual will only apply to properly trained Chauvet certified technicians. Do not open the housing or attempt any repairs.



All applicable local codes and regulations apply to proper installation of this product.

Personal Safety

- Avoid direct eye exposure to the light source while the product is on.
- Always disconnect this product from its power source before servicing.
- Always connect this product to a grounded circuit to avoid the risk of electrocution.
- Do not touch this product's housing during operation because it may be very hot.

Mounting And Rigging

- This product is not intended for permanent installation.
- This product is for indoor use only! To prevent risk of fire or shock, do not expose this product to rain or moisture. (IP20)
- CAUTION: When transferring product from extreme temperature environments, (e.g. cold truck to warm humid ballroom) condensation may form on the internal electronics of the product. To avoid causing a failure, allow product to fully acclimate to the surrounding environment before connecting it to power.
- Mount this product in a location with adequate ventilation, at least 20 in (50 cm) from adjacent surfaces.
- Make sure there are no flammable materials close to this product while it is operating.
- When hanging this product, always secure to a fastening device using a safety cable.
- Never carry the product by the power cord or any moving part.

Power And Wiring

- Make sure the power cord is not crimped or damaged.
- Always make sure you are connecting this product to the proper voltage in accordance with the specifications in this manual or on the product's specification label.
- To eliminate unnecessary wear and improve its lifespan, during periods of non-use completely disconnect the product from power via breaker or by unplugging it.
- Never connect this product to a dimmer pack or rheostat.
- Make sure to replace the fuse with another of the same type and rating.
- Never disconnect this product by pulling or tugging on the power cable.

Operation

- Do not operate this product if you see damage on the housing, lenses, or cables. Have the damaged parts replaced by an authorized technician at once.
- Do not cover the ventilation slots when operating to avoid internal overheating.
- The maximum ambient temperature is 113 °F (45 °C). Do not operate this product at a higher temperature.
- In case of a serious operating problem, stop using this product immediately!



In the unlikely event that your Chauvet product may require service, contact Chauvet Technical Support.

Expected LED Lifespan

LEDs gradually decline in brightness over time, mostly because of heat. Packaged in clusters, LEDs exhibit higher operating temperatures than in ideal, single-LED conditions. For this reason, using clustered LEDs at their fullest intensity significantly reduces the LEDs' lifespan. Under normal conditions, this lifespan can be 40,000 to 50,000 hours. If extending this lifespan is vital, lower the operating temperature by improving the ventilation around the product and reducing the ambient temperature to an optimal operating range. In addition, limiting the overall projection intensity may also help to extend the LEDs' lifespan.

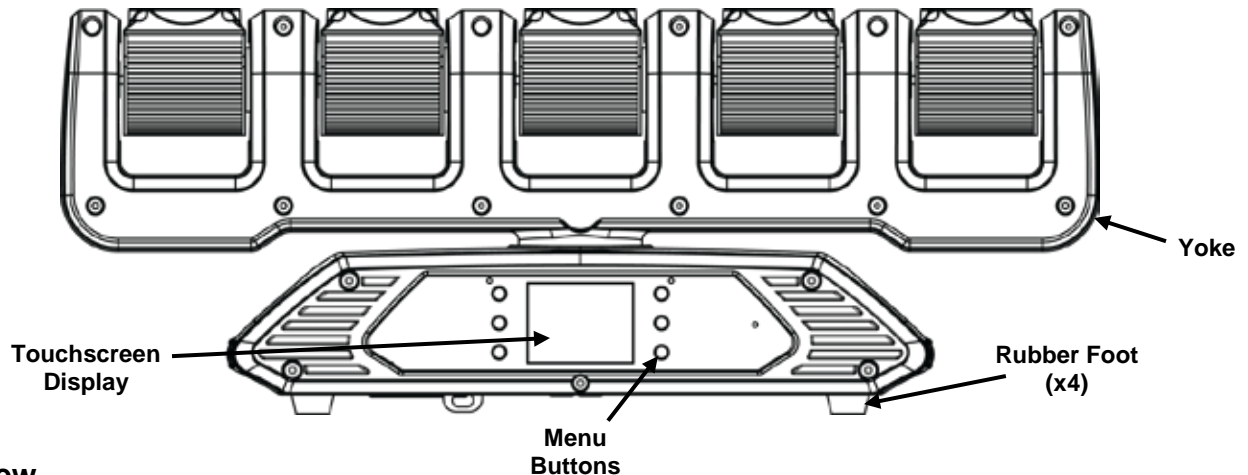
2. INTRODUCTION

Description The Rogue R1 FX-B is a fully-featured RGBW LED yoke effect beam product with continuous movement of the pan and each of the five autonomous tilt functions. Pixel map the five beams for unique effects. The Rogue R1 FX-B runs on DMX, Art-Net™, sACN, and Kling-Net protocols, and can be controlled with lighting consoles or media servers, providing the ultimate in flexible control integration options. Convert TCP/IP protocols in to DMX output for shorter cable runs.

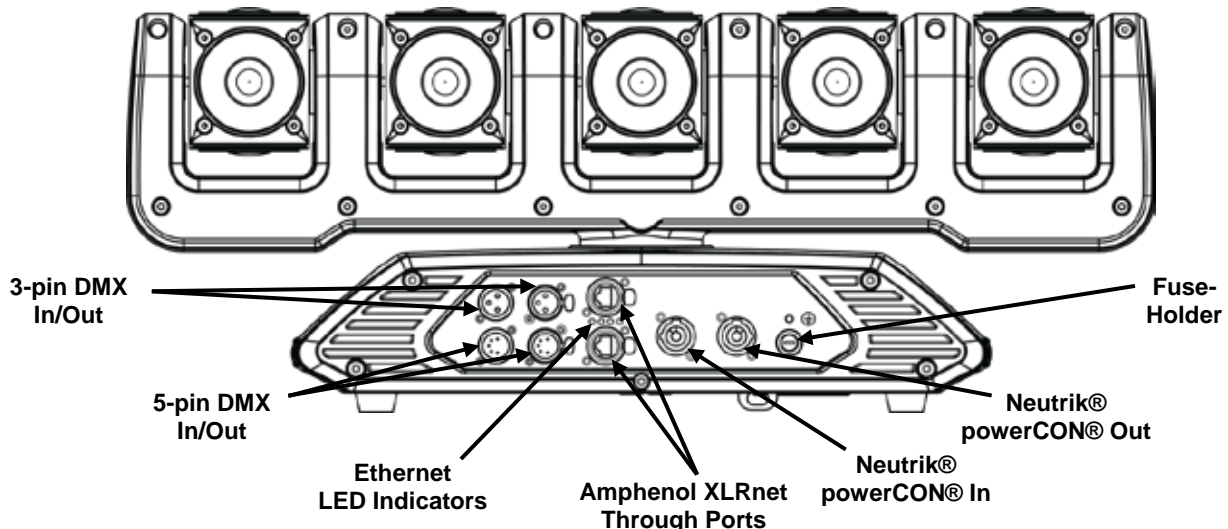
- Features**
- 5 RGBW 15 W LEDs
 - Tight 7° beams.
 - 5,361 lux at 5 meters
 - Continuous and-fast pan/tilt movement
 - Control options include DMX, Art-Net™, sACN, and Kling-Net
 - Neutrik® powerCON® in and out ports
 - Amphenol XLRnet through ports
 - DMX 3- and 5-pin in and out ports
 - Built-in TCP/IP to DMX converter
 - Built-in web server for remote diagnostics and firmware upgrades

Overview

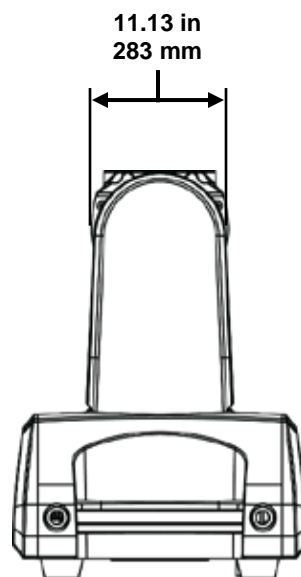
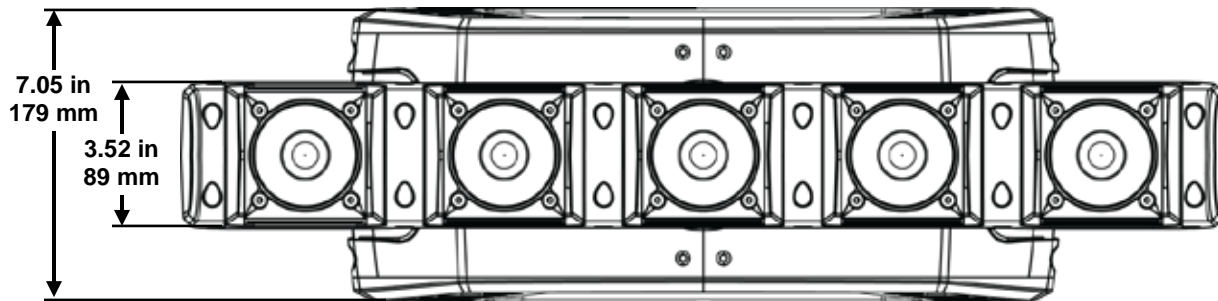
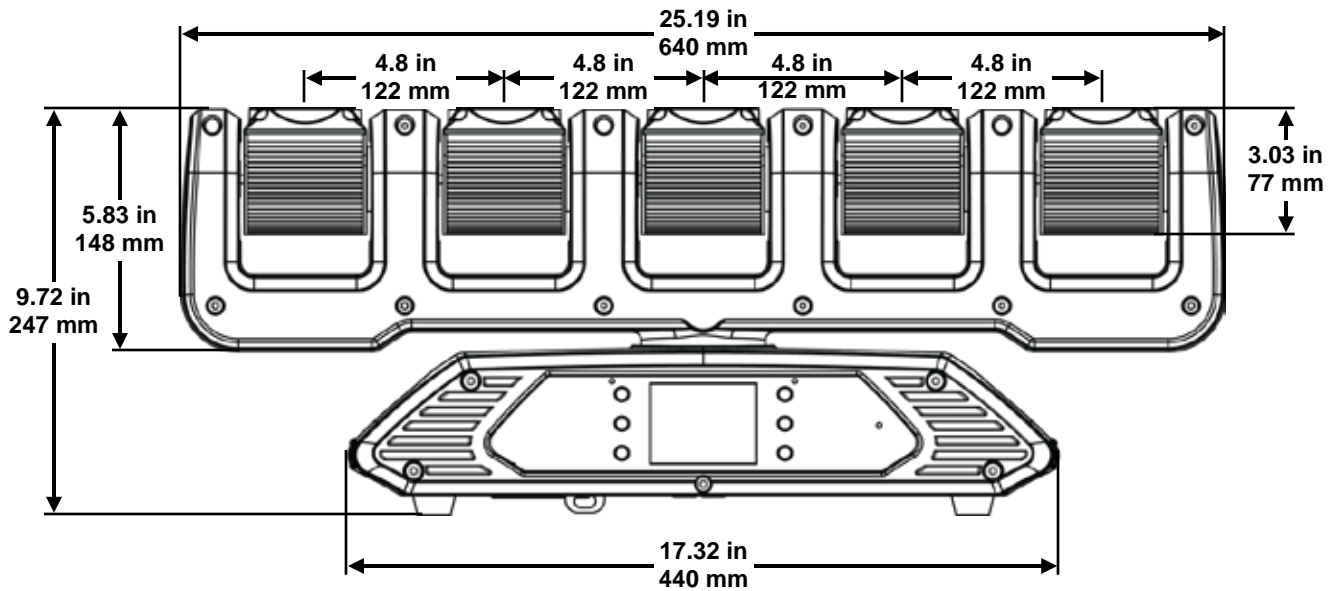
Front View



Rear View



Dimensions



3. SETUP

AC Power

Each Rogue R1 FX-B has an auto-ranging power supply that works with an input voltage range of 100 to 240 VAC, 50/60 Hz. To determine the power requirements for each Rogue R1 FX-B, refer to the label affixed to the product. You can also refer to the [Technical Specifications](#) chart in this manual.

The listed current rating indicates the maximum current draw during normal operation. For more information, you may download Sizing Circuit Breakers from the Chauvet website: www.chauvetprofessional.com.



- **Always connect this product to a protected circuit with an appropriate electrical ground to avoid the risk of electrocution or fire.**
- **Never connect this product to a rheostat (variable resistor) or dimmer circuit, even if the rheostat or dimmer channel serves only as a 0 to 100% switch.**
- **To eliminate unnecessary wear and improve its lifespan, during periods of non-use completely disconnect the product from power via breaker or by unplugging it.**

AC Plug

The Rogue R1 FX-B comes with a power input cord terminated with a Neutrik® powerCON® connector on one end and an Edison plug on the other end (U.S. market). If the power input cord that came with your product has no plug, or if you need to change the Edison plug, use the table below to wire the new plug.

Connection	Wire (U.S.)	Wire (Europe)	Screw Color
AC Live	Black	Brown	Yellow or Brass
AC Neutral	White	Blue	Silver
AC Ground	Green/Yellow	Green/Yellow	Green

Fuse Replacement

1. Disconnect this product from the power outlet.
2. Using a flat-head screwdriver, unscrew the fuse holder cap from the housing.
3. Remove the blown fuse and replace with another fuse of the same type and rating (F 3 A, 250 V).
4. Screw the fuse holder cap back in place and reconnect power.



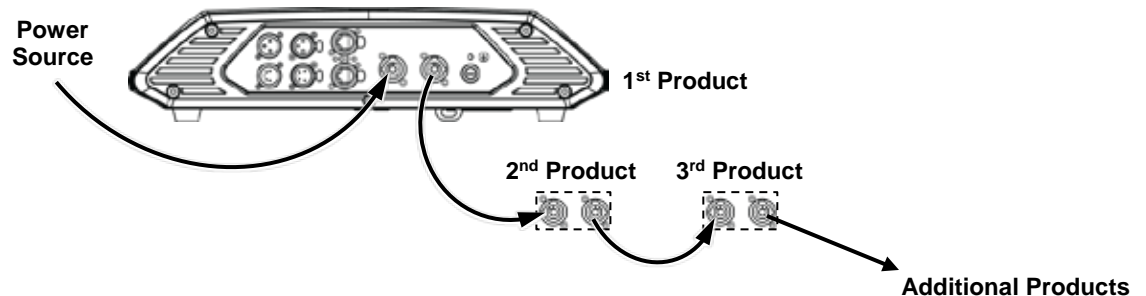
Make sure to disconnect the product's power cord before replacing a blown fuse. Always replace the blown fuse with another of the same type and rating.

Power Linking

The Rogue R1 FX-B supports power linking. You can power link up to 8 products at 120 V; up to 14 at 208 V; or up to 15 at 230 V.

This product comes with a power input cord. Power linking cables are available from Chauvet for purchase.

Power Linking Diagram



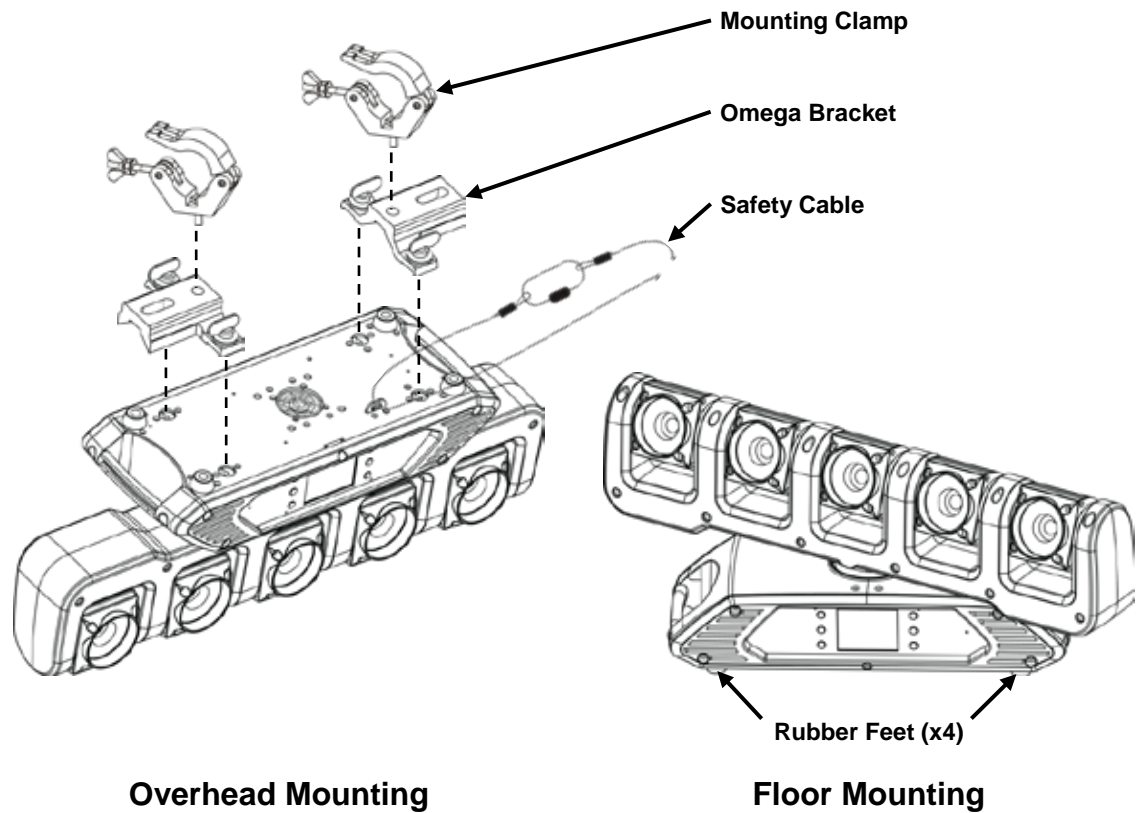
Mounting Before mounting this product, read and follow the Safety Notes. For our CHAUVET Professional line of mounting clamps, go to <http://trusst.com/products/>.

Orientation Always mount this product in a safe position and make sure there is adequate room for ventilation, configuration, and maintenance. The Rogue R1 FX-B can be suspended upright or upside down using the 2 Omega brackets included, or it can be placed on its rubber feet on a flat level surface.

Chauvet recommends using the following general guidelines when mounting this product:

- When selecting an installation location, consider easy access to this product for operation, programming adjustments, and routine maintenance.
- The product is not intended for permanent installation.
- Make sure to mount this product away from any flammable material as indicated in the Safety Notes.
- Never mount in places where rain, high humidity, extreme temperature changes, or restricted ventilation may affect the product.
- If hanging this product, make sure that the mounting location can support the product's weight. See the Technical Specifications for the weight-bearing requirements of this product.
- When hanging this product, always secure to a fastening device using a safety cable. For our CHAUVET Professional line of safety cables, go to <http://trusst.com/products/>.
- When mounting the product on the floor, make sure that the product and cables are away from people and vehicles.
- Place the Rogue R1 FX-B so that it can move freely without hitting anything or anybody.
- Leave enough slack on the cabled to prevent tension and pull on the plugs.

Mounting Diagram



Signal Connections

The Rogue R1 FX-B can receive DMX, Art-Net™, sACN, or Kling-Net signal. The Rogue R1 FX-B has 2 Neutrik® etherCON® through ports, and 3- and 5-pin DMX in and out ports. For more information about DMX, read the DMX primer at:

https://www.chauvetprofessional.com/wp-content/uploads/2016/06/DMX_Primer.pdf.

Art-Net™ Connection

Art-Net™ is an Ethernet protocol that uses TCP/IP which transfers a large amount of DMX512 data using an Neutrik® etherCON® RJ45 connection over a large network. An Art-Net™ protocol document is available from www.chauvetprofessional.com.

Art-Net™ designed by and copyright Artistic Licence Holdings Ltd.

sACN Connection

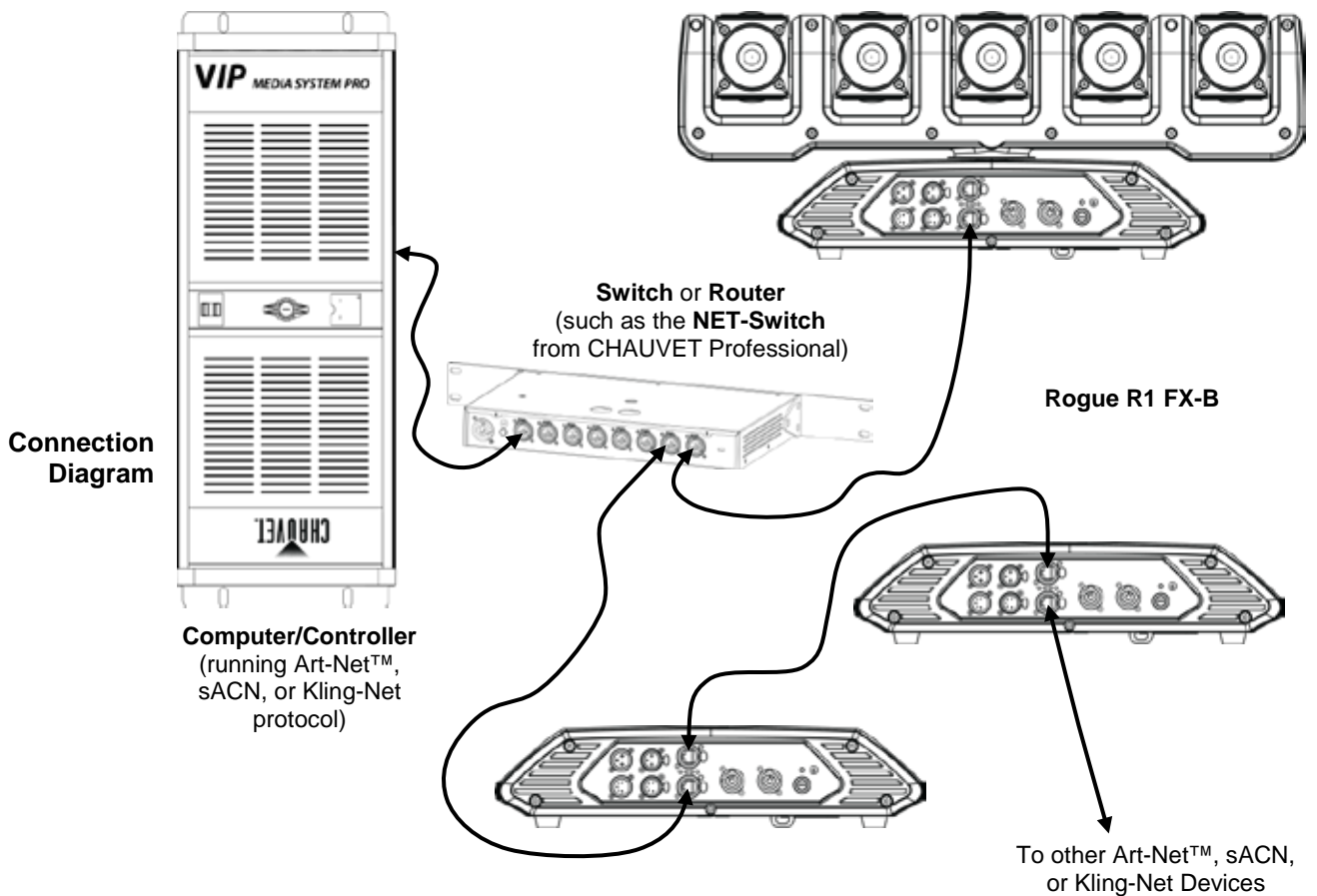
Also known as ANSI E1.31, streaming ACN is an Ethernet protocol that uses the layering and formatting of Architecture for Control Networks to transport DMX512 data over IP or any other ACN compatible network. ACN is maintained by the Professional Lighting and Sound Association (PLASA).

Kling-Net Connection

Kling-Net is a network protocol that allows auto configuration of display devices using a Neutrik® etherCON® RJ45 Ethernet connection. Refer to the ArKaos software manual for detailed instructions on programming this product.



ArKaos Kling-Net does not support the pan and tilt functions, and must be paired with another protocol for full functionality with the Rogue R1 FX-B.



The three LED indicators in between the Amphenol XLRnet ports indicate a connection to a network and activity on that network. They do not indicate whether or not the Rogue R1 FX-B is receiving a signal from a controller.

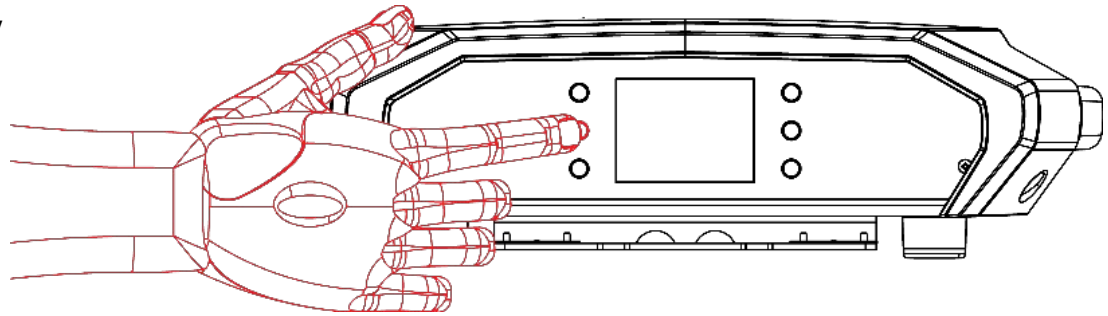
4. OPERATION

Touchscreen Control Panel

The Rogue R1 FX-B has a touchscreen display as well as 6 control buttons. Navigate the menu structure by pressing the buttons, touching the images of the buttons on the sides of the display, or touching the desired menu option on the display directly. The touchscreen can be locked and calibrated through the **Setup** options in the menu. (see [Touchscreen Calibration](#) and [Touchscreen Lock](#))

Control Panel Description	Button	Function
	↑	Navigates upwards through the menu list or increases the numeric value when in a function
	☰	Exits from the current menu or function
	↓	Navigates downwards through the menu list or decreases the numeric value when in a function
	←	Navigates leftwards through the menu list
	↶	Enables the currently displayed menu or sets the currently selected value into the selected function
	→	Navigates rightwards through the menu list

Battery Powered Display Press and hold until menu screen appears (approx 15 sec.).



Menu Map

Main Level	Programming Levels			Description		
Control Settings	Single Control	DMX	Personality	Basic	Sets the DMX personality, from Basic (18CH), Standard (25CH), Advanced (47CH), Tour (47CH) or Tour 2 (52CH)	
				Standard		
				Advanced		
				Tour		
				Tour 2		
				Start Address	001-512	Sets the DMX starting address
		ArtNet	Personality	Personality	Basic	Sets the Art-Net™ personality, from Basic (18CH), Standard (25CH), Advanced (47CH), Tour (47CH) or Tour 2 (52CH)
					Standard	
					Advanced	
					Tour	
					Tour 2	
				Start Address	001-512	Sets the Art-Net™ starting address
				Universe	0-254	Sets the Art-Net™ universe
		sACN	Personality	Personality	Basic	Sets the sACN personality, from Basic (18CH), Standard (25CH), Advanced (47CH), Tour (47CH) or Tour 2 (52CH)
					Standard	
Advanced						
Tour						
Tour 2						
		Start Address	001-512	Sets the sACN starting address		
		Universe	0-255	Sets the sACN universe		

Main Level	Programming Levels				Description	
Control Settings (cont.)	Dual Control	Movement	DMX	Personality	Basic	Sets the DMX personality, from Basic (10CH), Standard (17CH), or Advanced (23CH)
					Standard	
					Advanced	
			ArtNet	Personality	Basic	Sets the Art-Net™ personality, from Basic (10CH), Standard (17CH), or Advanced (23CH)
					Standard	
					Advanced	
			sACN	Personality	Basic	Sets the sACN personality, from Basic (10CH), Standard (17CH), or Advanced (23CH)
					Standard	
					Advanced	
		Pixels	DMX	Personality	RGB	Sets the DMX personality, from RGB (15CH) or RGBW (20CH)
					RGBW	
					Start Address	
			ArtNet	Personality	RGB	Sets the Art-Net™ personality, from RGB (15CH) or RGBW (20CH)
					RGBW	
					Start Address	
			sACN	Personality	RGB	Sets the sACN personality, from RGB (15CH) or RGBW (20CH)
					RGBW	
					Start Address	
		KlingNet	Personality	RGB	Sets the Kling-Net personality, from RGB (15CH) or RGBW (20CH)	
				RGBW		
				Universe		0-255



In Dual Control mode, the Movement protocol and the Pixel protocol cannot be the same.

Main Level	Programming Levels		Description	
Test Mode	Auto test		Auto test all functions	
	Manual test	Pan	000–255	Manually control and test all settings through the control panel
		Pan Speed		
		Pan 360		
		Tilt 1		
		Tilt 2		
		Tilt 3		
		Tilt 4		
		Tilt 5		
		Tilt Speed		
		Tilt 1 360		
		Tilt 2 360		
		Tilt 3 360		
		Tilt 4 360		
		Tilt 5 360		
		Dimmer		
		Shutter		
		Red		
	Green			
	Blue			
White				
Color				
LED Macro				
LED Macro Speed				
Setup	Network Settings	IP Mode	Manual	Manually set IP address
			DHCP	Network sets IP address
		IP Mode	Static	Product sets IP address
		IP	-----	Set IP address in Manual mode
		SubMask	-----	Set Subnet Mask in Manual mode
		NO	Normal pan	
		YES	Reversed pan	
	Pan Reverse	NO		Normal tilt
		YES		Reversed tilt
	Tilt Reverse	NO		Normal display
		YES		Inverted display
	Screen Reverse	AUTO		Automatic display orientation
		540		540° pan range
		360		360° pan range
	Pan Angle	180		180° pan range
		540		540° tilt range
		270		270° tilt range
	Tilt Angle	180		180° tilt range
		NO		Do not black out while panning/tilting
		YES		Black out while panning/tilting
BL. O. P/T Move	NO		Keep current settings	
	YES		Calibrate touchscreen	
Calibration				

Main Level	Programming Levels		Description	
Setup (cont.)	Touchscreen Lock	NO	Display responds to touch	
		YES	Display does not respond to touch	
	Lock Screen	NO	Locks the buttons and touchscreen. Passcode to unlock: 0920	
		YES		
	Backlight Timer	30S	Display turns off after 30 seconds	
		1M	Display turns off after 1 minute	
		5M	Display turns off after 5 minutes	
		ON	Display stays on at all times	
	Loss of Data	Hold	Hold last signal received at signal loss	
		Close	Black out the product at signal loss	
	C Mixing Mode	RGBW	Additive color mixing (0=0, 255=100%)	
		CMY	Subtractive color mixing (0=100%, 255=0)	
	Dimmer Curve	Linear	Set the dimmer curve	
		Square		
		I Squa		
		SCurve		
	Dimmer Speed	Smooth	Set the dimmer speed	
		Fast		
	PWM Option	600Hz	Selects the PWM output frequency	
		1200Hz		
		2000Hz		
		4000Hz		
		6000Hz		
	Color Balance	Red	100–255	Sets red LED maximum value
		Green		Sets green LED maximum value
		Blue		Sets blue LED maximum value
		White		Sets white LED maximum value
Preset Select	PRESET A		Recorded preset menu options	
	PRESET B			
	PRESET C			
Preset Sync	NO		Allows recorded preset menu options to be transferred to other Rogue R1 FX-Bs in the DMX daisy chain	
	YES			
Reset Function	Pan	NO	Reset individual functions or all functions from start-up	
		YES		
	Tilt	NO		
		YES		
All	NO			
	YES			
Factory Settings	NO		Reset to factory default settings	
	YES			
Sys Info	Fixture Information	Ver	V_	Shows firmware version
		Running Mode	---	Shows current running mode
		Address	---	Shows current starting address
		Temperature	--	Shows current product temperature in °C
		Fixture Hours	-----	Shows number of hours product has been powered on
		IP	-----	Shows current IP address
		SubMask	-----	Shows current Subnet Mask
		MAC	-----	Shows current MAC address
Error Information	No Error!*		Shows any errors, or No Error!	

Main Level	Programming Levels		Description
Sys Info (cont.)	Channel Information	Frequency	---
		Pan	
		Pan Fine	
		Pan 360	
		Tilt 1	
		Tilt 1 Fine	
		Tilt 2	
		Tilt 2 Fine	
		Tilt 3	
		Tilt 3 Fine	
		Tilt 4	
		Tilt 4 Fine	
		Tilt 5	
		Tilt 5 Fine	
		Tilt 1 360	
		Tilt 2 360	
		Tilt 3 360	
		Tilt 4 360	
		Tilt 5 360	
		Y Macro	
		Y Macro Speed	
		Function	
		Dimmer	
		Shutter	
		Color	
		Lamp Number	
		LED Macro	
		LED Ma. Speed	
		Red 1	
		Green 1	
		Blue 1	
		White 1	
		Red 2	
		Green 2	
		Blue 2	
		White 2	
		Red 3	
		Green 3	
		Blue 3	
		White 3	
Red 4			
Green 4			
Blue 4			
White 4			
Red 5			
Green 5			
Blue 5			
White 5			

Shows all current values from input signals, 000–255

Protocol Configuration

The Rogue R1 FX-B can be set to respond to DMX, Art-Net™, sACN, Kling-Net, or a combination of those protocols. The protocol configuration must be set for the product to respond correctly to the controller(s). See the [Menu Map](#) for more information.

Single Control

In Single Control mode, the Rogue R1 FX-B is controlled by a single protocol input. Choose from DMX, Art-Net™, or sACN. In this mode, the four personalities available are **Basic** (18 channels), **Standard** (25 channels), **Advanced** (47 channels), **TOUR** (47CH) and **TOUR 2** (52CH).

Single Control Protocol

To select the Single Control protocol, follow the instructions below:

1. Press **<MENU>** repeatedly until the [Home Screen](#) shows on the display. Press **<ENTER>**.
2. Use **<UP>**, **<DOWN>**, **<LEFT>**, or **<RIGHT>** to select **Control Settings**, or touch the display where it says **Control Settings**.
3. If using the buttons instead of the touchscreen, press **<ENTER>**.
4. Use **<UP>** or **<DOWN>** to select **Single Control**, or touch the display where it says **Single Control**.
5. If using the buttons instead of the touchscreen, press **<ENTER>**.
6. Use **<UP>** or **<DOWN>** to select from **DMX**, **ArtNet**, or **sACN**, or touch the display where it says the desired protocol option.
7. If using the buttons instead of the touchscreen, press **<ENTER>**.

Single Control Personality

To select the Single Control personality, set the [Protocol](#), then do the following:

1. Use **<UP>** or **<DOWN>** to select **Personality**, or touch the display where it says **Personality**.
2. If using the buttons instead of the touchscreen, press **<ENTER>**.
3. Use **<UP>**, **<DOWN>**, **<LEFT>**, or **<RIGHT>** to select from **Basic** (18-channel), **Standard** (25-channel), **Advanced** (47-channel), **TOUR** (47CH) or **TOUR 2** (52CH), or touch the display where it says the desired personality.
4. If using the buttons instead of the touchscreen, press **<ENTER>**.

Single Control Start Address

To set the starting address of the Single Control mode, set the [Protocol](#), then follow the instructions below:

1. Use **<UP>** or **<DOWN>** to select **Start Address**, or touch the display where it says **Start Address**.
2. If using the buttons instead of the touchscreen, press **<ENTER>**.
3. Enter the starting address (**001–512**) with one of the following methods:
 - Type the address number using the number pad that shows on the touchscreen display.
 - or
 - Using the buttons (or the button icons on the sides of the display),
 - a. Use **<LEFT>** or **<RIGHT>** to select the digit to be altered.
 - b. Use **<UP>** or **<DOWN>** to increase or decrease the number value of that digit.
 - c. Repeat until the address is set as desired.
4. Press **<ENTER>**.

Single Control Universe

To set the Universe address of the Single Control mode when using Art-Net™ or sACN, set the [Protocol](#) to **ArtNet** or **sACN**, then do the following:

1. Use **<UP>** or **<DOWN>** to select **Universe**, or touch the display where it says **Universe**.
2. If using the buttons instead of the touchscreen, press **<ENTER>**.
3. Enter the universe address (**0–254** for **ArtNet**, **0–255** for **sACN**) with one of the following methods:
 - Type the universe number using the number pad that shows on the touchscreen display.
 - or
 - Using the buttons (or the button icons on the sides of the display),
 - a. Use **<LEFT>** or **<RIGHT>** to select the digit to be altered.
 - b. Use **<UP>** or **<DOWN>** to increase or decrease the number value of that digit.
 - c. Repeat until the universe is set as desired.
4. Press **<ENTER>**.

Dual Control

In Dual Control mode, the Rogue R1 FX-B is controlled by two protocol inputs. One controls the movement of the yoke as well as the dimmer and shutter, while the other controls the individual LED output.

Dual Control Movement The Movement protocol controls the movement of the yoke as well as the dimmer and shutter. Choose from DMX, Art-Net™, or sACN. In this mode, the three personalities available are **Basic** (10 channels), **Standard** (17 channels), and **Advanced** (23 channels).

Dual Control Movement Protocol To select the Dual Control Movement protocol, follow the instructions below:

1. Press **<MENU>** repeatedly until the Home Screen shows on the display. Press **<ENTER>**.
2. Use **<UP>**, **<DOWN>**, **<LEFT>**, or **<RIGHT>** to select **Control Settings**, or touch the display where it says **Control Settings**.
3. If using the buttons instead of the touchscreen, press **<ENTER>**.
4. Use **<UP>** or **<DOWN>** to select **Dual Control**, or touch the display where it says **Dual Control**.
5. If using the buttons instead of the touchscreen, press **<ENTER>**.
6. Use **<UP>** or **<DOWN>** to select **Movement**, or touch the display where it says **Movement**.
7. If using the buttons instead of the touchscreen, press **<ENTER>**.
8. Use **<UP>**, **<DOWN>**, **<LEFT>**, or **<RIGHT>** to select from **DMX**, **ArtNet**, or **sACN**, or touch the display where it says the desired protocol option.
9. If using the buttons instead of the touchscreen, press **<ENTER>**.

Dual Control Movement Personality To select the Dual Control Movement personality, set the Protocol, then do the following:

1. Use **<UP>** or **<DOWN>** to select **Personality**, or touch the display where it says **Personality**.
2. If using the buttons instead of the touchscreen, press **<ENTER>**.
3. Use **<UP>**, **<DOWN>**, **<LEFT>**, or **<RIGHT>** to select from **Basic** (10-channel), **Standard** (17-channel), or **Advanced** (23-channel), or touch the display where it says the desired personality.
4. If using the buttons instead of the touchscreen, press **<ENTER>**.

Dual Control Movement Start Address To set the starting address of the Dual Control Movement mode, set the Protocol, then follow the instructions below:

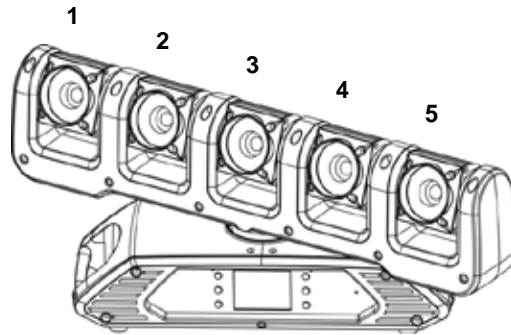
1. Use **<UP>** or **<DOWN>** to select **Start Address**, or touch the display where it says **Start Address**.
2. If using the buttons instead of the touchscreen, press **<ENTER>**.
3. Enter the starting address (**001–512**) with one of the following methods:
 - Type the address number using the number pad that shows on the touchscreen display.
 - or
 - Using the buttons (or the button icons on the sides of the display),
 - a. Use **<LEFT>** or **<RIGHT>** to select the digit to be altered.
 - b. Use **<UP>** or **<DOWN>** to increase or decrease the number value of that digit.
 - c. Repeat until the address is set as desired.
4. Press **<ENTER>**.

Dual Control Movement Universe To set the Universe address of the Dual Control Movement mode when using Art-Net™ or sACN, set the Protocol to **ArtNet** or **sACN**, then do the following:

1. Use **<UP>** or **<DOWN>** to select **Universe**, or touch the display where it says **Universe**.
2. If using the buttons instead of the touchscreen, press **<ENTER>**.
3. Enter the universe address (**0–254** for **ArtNet**, **0–255** for **sACN**) with one of the following methods:
 - Type the universe number using the number pad that shows on the touchscreen display.
 - or
 - Using the buttons (or the button icons on the sides of the display),
 - a. Use **<LEFT>** or **<RIGHT>** to select the digit to be altered.
 - b. Use **<UP>** or **<DOWN>** to increase or decrease the number value of that digit.
 - c. Repeat until the universe is set as desired.
4. Press **<ENTER>**.

- Dual Control Pixel** The Pixel protocol controls the individual output of the LEDs. Choose from DMX, Art-Net™, sACN, or Kling-Net. In this mode, the two personalities available are **RGB** (15 channels), and **RGBW** (20 channels).
- Dual Control Pixel Protocol** To select the Dual Control Pixel protocol, follow the instructions below:
1. Press **<MENU>** repeatedly until the Home Screen shows on the display. Press **<ENTER>**.
 2. Use **<UP>**, **<DOWN>**, **<LEFT>**, or **<RIGHT>** to select **Control Settings**, or touch the display where it says **Control Settings**.
 3. If using the buttons instead of the touchscreen, press **<ENTER>**.
 4. Use **<UP>** or **<DOWN>** to select **Dual Control**, or touch the display where it says **Dual Control**.
 5. If using the buttons instead of the touchscreen, press **<ENTER>**.
 6. Use **<UP>** or **<DOWN>** to select **Pixel**, or touch the display where it says **Pixel**.
 7. If using the buttons instead of the touchscreen, press **<ENTER>**.
 8. Use **<UP>**, **<DOWN>**, **<LEFT>**, or **<RIGHT>** to select from **DMX**, **ArtNet**, **sACN**, or **KlingNet**, or touch the display where it says the desired protocol option.
 9. If using the buttons instead of the touchscreen, press **<ENTER>**.
- Dual Control Pixel Personality** To select the Dual Control Pixel personality, set the Protocol, then do the following:
1. Use **<UP>** or **<DOWN>** to select **Personality**, or touch the display where it says **Personality**.
 2. If using the buttons instead of the touchscreen, press **<ENTER>**.
 3. Use **<UP>**, **<DOWN>**, **<LEFT>**, or **<RIGHT>** to select from **RGB** (15-channel) or **RGBW** (20-channel), or touch the display where it says the desired personality.
 4. If using the buttons instead of the touchscreen, press **<ENTER>**.
- Dual Control Pixel Start Address** To set the starting address of the Dual Control Pixel mode, set the Protocol, then follow the instructions below:
1. Use **<UP>** or **<DOWN>** to select **Start Address**, or touch the display where it says **Start Address**.
 2. If using the buttons instead of the touchscreen, press **<ENTER>**.
 3. Enter the starting address (**001–512**) with one of the following methods:
 - Type the address number using the number pad that shows on the touchscreen display.
 - or
 - Using the buttons (or the button icons on the sides of the display),
 - a. Use **<LEFT>** or **<RIGHT>** to select the digit to be altered.
 - b. Use **<UP>** or **<DOWN>** to increase or decrease the number value of that digit.
 - c. Repeat until the address is set as desired.
 4. Press **<ENTER>**.
- Dual Control Pixel Universe** To set the Universe address of the Dual Control Pixel mode when using Art-Net™ or sACN, set the Protocol to **ArtNet** or **sACN**, then do the following:
1. Use **<UP>** or **<DOWN>** to select **Universe**, or touch the display where it says **Universe**.
 2. If using the buttons instead of the touchscreen, press **<ENTER>**.
 3. Enter the universe address (**0–254** for **ArtNet**, **0–255** for **sACN**) with one of the following methods:
 - Type the universe number using the number pad that shows on the touchscreen display.
 - or
 - Using the buttons (or the button icons on the sides of the display),
 - a. Use **<LEFT>** or **<RIGHT>** to select the digit to be altered.
 - b. Use **<UP>** or **<DOWN>** to increase or decrease the number value of that digit.
 - c. Repeat until the universe is set as desired.
 4. Press **<ENTER>**.

Zones for Pixel control



DMX Values

Single Control Values

Tour 2
(52-channel)

Channel	Function	Value	Percent/Settings
1	Pan	000-255	0-100%
2	Fine Pan	000-255	0-100%
3	Continuous Pan	000	No function
		001-127	Counterclockwise rotation, slow to fast
		128	Stop
		129-255	Clockwise rotation, slow to fast
4	Tilt Macro	000-047	No function
		048-055	Tilt Macro 1
		056-063	Tilt Macro 2
		064-071	Tilt Macro 3
		072-079	Tilt Macro 4
		080-087	Tilt Macro 5
		088-095	Tilt Macro 6
		096-103	Tilt Macro 7
		104-111	Tilt Macro 8
		112-119	Tilt Macro 9
		120-127	Tilt Macro 10
		128-135	Tilt Macro 11
		136-143	Tilt Macro 12
		144-151	Tilt Macro 13
		152-159	Tilt Macro 14
		160-167	Tilt Macro 15
		168-175	Tilt Macro 16
		176-183	Tilt Macro 17
		184-191	Tilt Macro 18
		192-199	Tilt Macro 19
		200-207	Tilt Macro 20
		208-215	Tilt Macro 21
		216-223	Tilt Macro 22
		224-231	Tilt Macro 23
		232-239	Tilt Macro 24
		240-247	Tilt Macro 25
248-255	Tilt Macro 26		
5	Tilt Macro Speed	000-255	Fast to slow

Tour 2
(52-channel cont.)

Channel	Function	Value	Percent/Settings
6	Control	000○009	No function
		010○014	Manual tilt blackout
		015○019	Cancel manual tilt blackout
		020○024	1 fixture macro
		025○029	2 fixture macro 1
		030○034	2 fixture macro 2
		035○039	4 fixture macro 1
		040○044	4 fixture macro 2
		045○049	4 fixture macro 3
		050○054	4 fixture macro 4
		055○059	Pan reset
		060○064	Tilt reset
		065○069	No function (reserved for future use)
		070○074	Reset all
		075○079	No function (reserved for future use)
		080○084	Pan/Tilt reverse
		085○089	Pan reverse
		090○094	Tilt reverse
		095○099	Cancel pan reverse
		100○104	Cancel tilt reverse
		105○109	Cancel pan/tilt reverse
		110○114	No function (reserved for future use)
		115○119	Link all heads to head 1
		120○124	Unlink all heads from head 1
125○134	No function (reserved for future use)		
135○139	Dimmer speed mode fast		
140○144	Dimmer speed mode smooth		
145○255	No function		
7	Dimmer	000○255	0–100%
8	Shutter	000○019	Off
		020○024	On
		025○064	Strobe 1, fast to slow
		065○069	On
		070○084	Strobe 2 (Fast on, slow off), fast to slow
		085○089	On
		090○104	Strobe 3 (Slow on, fast off), fast to slow
		104○109	On
		110○124	Strobe 4 (Random), fast to slow
		125○129	On
		130○144	Strobe 5 (Random fast on, slow off), fast to slow
		145○149	On
		150○164	Strobe 6 (Random slow on, fast off), fast to slow
		165○169	On
		170○184	Strobe 7 (Pulse), fast to slow
		185○189	On
		190○204	Strobe 8 (Random pulse), fast to slow
		205○209	On
		210○224	Strobe 9 (Fade in, fade out), fast to slow
		225○229	On
230○244	Strobe 10 (Random pulse), fast to slow		
245○255	On		

Tour 2 (52-channel cont.)	Channel	Function	Value	Percent/Settings
			000○ 013	No function
			014○ 020	Color 1
			021○ 028	Color 2
			029○ 036	Color 3
			037○ 044	Color 4
			045○ 052	Color 5
			053○ 060	Color 6
			061○ 068	Color 7
			069○ 076	Color 8
			077○ 084	Color 9
	9	Color Macro	085○ 092	Color 10
			093○ 100	Color 11
			101○ 108	Color 12
			109○ 116	Color 13
			117○ 124	Color 14
			125○ 133	Color 15
			134○ 185	No function
			186○ 207	Rainbow effect, fast to slow
			208○ 213	Stop
			214○ 235	Reverse Rainbow effect, fast to slow
			236○ 240	No function
			241○ 255	Color jump, fast to slow

Tour 2 (52-channel cont.)	Channel	Function	Value	Percent/Settings				
				Head 1	Head 2	Head 3	Head 4	Head 5
			000 005	●	●	●	●	●
			006 011	○	●	●	●	●
			012 017	○	○	●	●	●
			018 023	○	○	○	●	●
			024 029	○	○	○	○	●
			030 035	○	○	○	○	○
			036 041	●	○	○	○	○
			042 047	●	●	○	○	○
			048 053	●	●	●	○	○
			054 059	●	●	●	●	○
			060 065	●	●	●	●	●
			066 071	○	○	○	○	○
			072 077	●	○	○	○	○
			078 083	○	●	○	○	○
			084 089	○	○	●	○	○
			090 095	○	○	○	●	○
			096 101	○	○	○	○	●
			102 107	○	○	○	○	○
			108 113	●	●	○	○	○
			114 119	○	●	●	○	○
			120 125	○	○	●	●	○
			126 131	○	○	○	●	●
			132 137	●	○	○	○	●
			138 143	○	○	○	○	○
			144 149	○	●	●	●	●
			150 155	●	○	●	●	●
			156 161	●	●	○	●	●
			162 167	●	●	●	○	●
			168 173	●	●	●	●	○
			174 179	○	○	○	○	○
			180 185	○	○	○	○	●
			186 191	○	○	○	●	●
			192 197	○	○	●	●	●
			198 203	○	●	●	●	●
			204 209	●	●	●	●	●
			210 215	○	○	○	○	○
			216 221	●	●	●	○	○
			222 227	○	●	●	●	○
			228 233	○	○	●	●	●
			234 239	●	○	○	●	●
			240 245	●	●	○	○	●
			246 255	●	●	●	●	●

10

On/Off Preset
(● = on; ○ = off)

Tour 2 (52-channel cont.)	Channel	Function	Value	Percent/Settings
			000ó 255	No function
			000ó 255	LED Macro 1
			000ó 255	LED Macro 2
			000ó 255	LED Macro 3
			000ó 255	LED Macro 4
			000ó 255	LED Macro 5
			000ó 255	LED Macro 6
			000ó 255	LED Macro 7
			000ó 255	LED Macro 8
			000ó 255	LED Macro 9
			000ó 255	LED Macro 10
			000ó 255	LED Macro 11
			000ó 255	LED Macro 12
			000ó 255	LED Macro 13
			000ó 255	LED Macro 14
			000ó 255	LED Macro 15
			000ó 255	LED Macro 16
			000ó 255	LED Macro 17
			000ó 255	LED Macro 18
			000ó 255	LED Macro 19
			000ó 255	LED Macro 20
			000ó 255	LED Macro 21
			000ó 255	LED Macro 22
			000ó 255	LED Macro 23
	11	LED Macro/ Auto Program	000ó 255	LED Macro 24 (cycle 1–23)
			000ó 255	Auto program 1
			000ó 255	Auto program 2
			000ó 255	Auto program 3
			000ó 255	Auto program 4
			000ó 255	Auto program 5
			000ó 255	Auto program 6
			000ó 255	Auto program 7
			000ó 255	Auto program 8
			000ó 255	Auto program 9
			000ó 255	Auto program 10
			000ó 255	Auto program 11
			000ó 255	Auto program 12
			000ó 255	Auto program 13
			000ó 255	Auto program 14
			000ó 255	Auto program 15
			000ó 255	Auto program 16
			000ó 255	Auto program 17
			000ó 255	Auto program 18
			000ó 255	Auto program 19
			000ó 255	Auto program 20
			000ó 255	Auto program 21
			000ó 255	Auto program 22
			000ó 255	Auto program 23
			000ó 255	Auto program 24 (cycle 1–23)
	12	LED Macro Speed	000ó 255	Slow to fast

Tour 2 (52-channel cont.)	Channel	Function	Value	Percent/Settings
	13	Tilt 1	000↻ 255	0–100%
	14	Fine Tilt 1	000↻ 255	0–100%
	15	Continuous Tilt 1	000	No function
			001↻ 127	Counterclockwise rotation, slow to fast
			128	Stop
			129↻ 255	Clockwise rotation, slow to fast
	16	Head 1 Dimmer	000↻ 255	0–100%
	17	Head 1 Red	000↻ 255	RGBW mode: 0–100% / CMY mode: 100%–0
	18	Head 1 Green	000↻ 255	RGBW mode: 0–100% / CMY mode: 100%–0
	19	Head 1 Blue	000↻ 255	RGBW mode: 0–100% / CMY mode: 100%–0
	20	Head 1 White	000↻ 255	RGBW mode: 0–100% / CMY mode: 100%–0
	21	Tilt 2	000↻ 255	0–100%
	22	Fine Tilt 2	000↻ 255	0–100%
	23	Continuous Tilt 2	000	No function
			001↻ 127	Counterclockwise rotation, slow to fast
			128	Stop
			129↻ 255	Clockwise rotation, slow to fast
	24	Head 2 Dimmer	000↻ 255	0–100%
	25	Head 2 Red	000↻ 255	RGBW mode: 0–100% / CMY mode: 100%–0
	26	Head 2 Green	000↻ 255	RGBW mode: 0–100% / CMY mode: 100%–0
	27	Head 2 Blue	000↻ 255	RGBW mode: 0–100% / CMY mode: 100%–0
	28	Head 2 White	000↻ 255	RGBW mode: 0–100% / CMY mode: 100%–0
	29	Tilt 3	000↻ 255	0–100%
	30	Fine Tilt 3	000↻ 255	0–100%
	31	Continuous Tilt 3	000	No function
			001↻ 127	Counterclockwise rotation, slow to fast
			128	Stop
			129↻ 255	Clockwise rotation, slow to fast
	32	Head 3 Dimmer	000↻ 255	0–100%
	33	Head 3 Red	000↻ 255	RGBW mode: 0–100% / CMY mode: 100%–0
	34	Head 3 Green	000↻ 255	RGBW mode: 0–100% / CMY mode: 100%–0
	35	Head 3 Blue	000↻ 255	RGBW mode: 0–100% / CMY mode: 100%–0
	36	Head 3 White	000↻ 255	RGBW mode: 0–100% / CMY mode: 100%–0
	37	Tilt 4	000↻ 255	0–100%
	38	Fine Tilt 4	000↻ 255	0–100%
	39	Continuous Tilt 4	000	No function
			001↻ 127	Counterclockwise rotation, slow to fast
			128	Stop
			129↻ 255	Clockwise rotation, slow to fast

Tour 2 (52-channel cont.)		Channel	Function	Value	Percent/Settings
	40		Head 4 Dimmer	000◊ 255	0–100%
	41		Head 4 Red	000◊ 255	RGBW mode: 0–100% / CMY mode: 100%–0
	42		Head 4 Green	000◊ 255	RGBW mode: 0–100% / CMY mode: 100%–0
	43		Head 4 Blue	000◊ 255	RGBW mode: 0–100% / CMY mode: 100%–0
	44		Head 4 White	000◊ 255	RGBW mode: 0–100% / CMY mode: 100%–0
	45		Tilt 5	000◊ 255	0–100%
	46		Fine Tilt 5	000◊ 255	0–100%
	47		Continuous Tilt 5	000	No function
				001◊ 127	Counterclockwise rotation, slow to fast
				128	Stop
				129◊ 255	Clockwise rotation, slow to fast
	48		Head 5 Dimmer	000◊ 255	0–100%
	49		Head 5 Red	000◊ 255	RGBW mode: 0–100% / CMY mode: 100%–0
	50		Head 5 Green	000◊ 255	RGBW mode: 0–100% / CMY mode: 100%–0
	51		Head 5 Blue	000◊ 255	RGBW mode: 0–100% / CMY mode: 100%–0
	52		Head 5 White	000◊ 255	RGBW mode: 0–100% / CMY mode: 100%–0

Tour (47-channel)		Channel	Function	Value	Percent/Settings
	1		Pan	000◊ 255	0–100%
	2		Fine Pan	000◊ 255	0–100%
	3		Continuous Pan	000	No function
				001◊ 127	Counterclockwise rotation, slow to fast
				128	Stop
				129◊ 255	Clockwise rotation, slow to fast
	4		Tilt Macro	000◊ 047	No function
				048◊ 055	Tilt Macro 1
				056◊ 063	Tilt Macro 2
				064◊ 071	Tilt Macro 3
				072◊ 079	Tilt Macro 4
				080◊ 087	Tilt Macro 5
				088◊ 095	Tilt Macro 6
				096◊ 103	Tilt Macro 7
				104◊ 111	Tilt Macro 8
				112◊ 119	Tilt Macro 9
				120◊ 127	Tilt Macro 10
				128◊ 135	Tilt Macro 11
				136◊ 143	Tilt Macro 12
				144◊ 151	Tilt Macro 13
				152◊ 159	Tilt Macro 14
				160◊ 167	Tilt Macro 15
				168◊ 175	Tilt Macro 16
				176◊ 183	Tilt Macro 17
				184◊ 191	Tilt Macro 18
				192◊ 199	Tilt Macro 19
				200◊ 207	Tilt Macro 20
				208◊ 215	Tilt Macro 21
				216◊ 223	Tilt Macro 22
				224◊ 231	Tilt Macro 23
				232◊ 239	Tilt Macro 24
				240◊ 247	Tilt Macro 25
	248◊ 255	Tilt Macro 26			
	5		Tilt Macro Speed	000◊ 255	Fast to slow

Tour (47-channel cont.)	Channel	Function	Value	Percent/Settings
6	Control		000○009	No function
			010○014	Manual tilt blackout
			015○019	Cancel manual tilt blackout
			020○024	1 fixture macro
			025○029	2 fixture macro 1
			030○034	2 fixture macro 2
			035○039	4 fixture macro 1
			040○044	4 fixture macro 2
			045○049	4 fixture macro 3
			050○054	4 fixture macro 4
			055○059	Pan reset
			060○064	Tilt reset
			065○069	No function (reserved for future use)
			070○074	Reset all
			075○079	No function (reserved for future use)
			080○084	Pan/Tilt reverse
			085○089	Pan reverse
			090○094	Tilt reverse
			095○099	Cancel pan reverse
			100○104	Cancel tilt reverse
			105○109	Cancel pan/tilt reverse
			110○114	No function (reserved for future use)
			115○119	Link all heads to head 1
			120○124	Unlink all heads from head 1
			125○134	No function (reserved for future use)
	135○139	Dimmer speed mode fast		
	140○144	Dimmer speed mode smooth		
	145○255	No function		
7	Dimmer		000○255	0–100%
8	Shutter		000○019	Off
			020○024	On
			025○064	Strobe 1, fast to slow
			065○069	On
			070○084	Strobe 2 (Fast on, slow off), fast to slow
			085○089	On
			090○104	Strobe 3 (Slow on, fast off), fast to slow
			104○109	On
			110○124	Strobe 4 (Random), fast to slow
			125○129	On
			130○144	Strobe 5 (Random fast on, slow off), fast to slow
			145○149	On
			150○164	Strobe 6 (Random slow on, fast off), fast to slow
			165○169	On
			170○184	Strobe 7 (Pulse), fast to slow
			185○189	On
			190○204	Strobe 8 (Random pulse), fast to slow
			205○209	On
			210○224	Strobe 9 (Fade in, fade out), fast to slow
			225○229	On
	230○244	Strobe 10 (Random pulse), fast to slow		
	245○255	On		

Tour (47-channel cont.)	Channel	Function	Value	Percent/Settings
			000○ 013	No function
			014○ 020	Color 1
			021○ 028	Color 2
			029○ 036	Color 3
			037○ 044	Color 4
			045○ 052	Color 5
			053○ 060	Color 6
			061○ 068	Color 7
			069○ 076	Color 8
			077○ 084	Color 9
	9	Color Macro	085○ 092	Color 10
			093○ 100	Color 11
			101○ 108	Color 12
			109○ 116	Color 13
			117○ 124	Color 14
			125○ 133	Color 15
			134○ 185	No function
			186○ 207	Rainbow effect, fast to slow
			208○ 213	Stop
			214○ 235	Reverse Rainbow effect, fast to slow
			236○ 240	No function
			241○ 255	Color jump, fast to slow

Tour (47-channel cont.)	Channel	Function	Value	Percent/Settings				
				Head 1	Head 2	Head 3	Head 4	Head 5
			000 005	●	●	●	●	●
			006 011	○	●	●	●	●
			012 017	○	○	●	●	●
			018 023	○	○	○	●	●
			024 029	○	○	○	○	●
			030 035	○	○	○	○	○
			036 041	●	○	○	○	○
			042 047	●	●	○	○	○
			048 053	●	●	●	○	○
			054 059	●	●	●	●	○
			060 065	●	●	●	●	●
			066 071	○	○	○	○	○
			072 077	●	○	○	○	○
			078 083	○	●	○	○	○
			084 089	○	○	●	○	○
			090 095	○	○	○	●	○
			096 101	○	○	○	○	●
			102 107	○	○	○	○	○
			108 113	●	●	○	○	○
			114 119	○	●	●	○	○
			120 125	○	○	●	●	○
			126 131	○	○	○	●	●
			132 137	●	○	○	○	●
			138 143	○	○	○	○	○
			144 149	○	●	●	●	●
			150 155	●	○	●	●	●
			156 161	●	●	○	●	●
			162 167	●	●	●	○	●
			168 173	●	●	●	●	○
			174 179	○	○	○	○	○
			180 185	○	○	○	○	●
			186 191	○	○	○	●	●
			192 197	○	○	●	●	●
			198 203	○	●	●	●	●
			204 209	●	●	●	●	●
			210 215	○	○	○	○	○
			216 221	●	●	●	○	○
			222 227	○	●	●	●	○
			228 233	○	○	●	●	●
			234 239	●	○	○	●	●
			240 245	●	●	○	○	●
			246 255	●	●	●	●	●

10

On/Off Preset
(● = on; ○ = off)

Tour (47-channel cont.)	Channel	Function	Value	Percent/Settings
			000ó 255	No function
			000ó 255	LED Macro 1
			000ó 255	LED Macro 2
			000ó 255	LED Macro 3
			000ó 255	LED Macro 4
			000ó 255	LED Macro 5
			000ó 255	LED Macro 6
			000ó 255	LED Macro 7
			000ó 255	LED Macro 8
			000ó 255	LED Macro 9
			000ó 255	LED Macro 10
			000ó 255	LED Macro 11
			000ó 255	LED Macro 12
			000ó 255	LED Macro 13
			000ó 255	LED Macro 14
			000ó 255	LED Macro 15
			000ó 255	LED Macro 16
			000ó 255	LED Macro 17
			000ó 255	LED Macro 18
			000ó 255	LED Macro 19
			000ó 255	LED Macro 20
			000ó 255	LED Macro 21
			000ó 255	LED Macro 22
			000ó 255	LED Macro 23
			000ó 255	LED Macro 24 (cycle 1–23)
			000ó 255	Auto program 1
			000ó 255	Auto program 2
			000ó 255	Auto program 3
			000ó 255	Auto program 4
			000ó 255	Auto program 5
			000ó 255	Auto program 6
			000ó 255	Auto program 7
			000ó 255	Auto program 8
			000ó 255	Auto program 9
			000ó 255	Auto program 10
			000ó 255	Auto program 11
			000ó 255	Auto program 12
			000ó 255	Auto program 13
			000ó 255	Auto program 14
			000ó 255	Auto program 15
			000ó 255	Auto program 16
			000ó 255	Auto program 17
			000ó 255	Auto program 18
			000ó 255	Auto program 19
			000ó 255	Auto program 20
			000ó 255	Auto program 21
			000ó 255	Auto program 22
			000ó 255	Auto program 23
			000ó 255	Auto program 24 (cycle 1–23)
	11	LED Macro/ Auto Program		
	12	LED Macro Speed	000ó 255	Slow to fast

Tour (47-channel cont.)	Channel	Function	Value	Percent/Settings
	13	Tilt 1	000○255	0–100%
	14	Fine Tilt 1	000○255	0–100%
	15	Continuous Tilt 1	000	No function
			001○127	Counterclockwise rotation, slow to fast
			128	Stop
			129○255	Clockwise rotation, slow to fast
	16	Head 1 Red	000○255	RGBW mode: 0–100% / CMY mode: 100%–0
	17	Head 1 Green	000○255	RGBW mode: 0–100% / CMY mode: 100%–0
	18	Head 1 Blue	000○255	RGBW mode: 0–100% / CMY mode: 100%–0
	19	Head 1 White	000○255	RGBW mode: 0–100% / CMY mode: 100%–0
	20	Tilt 2	000○255	0–100%
	21	Fine Tilt 2	000○255	0–100%
	22	Continuous Tilt 2	000	No function
			001○127	Counterclockwise rotation, slow to fast
			128	Stop
			129○255	Clockwise rotation, slow to fast
	23	Head 2 Red	000○255	RGBW mode: 0–100% / CMY mode: 100%–0
	24	Head 2 Green	000○255	RGBW mode: 0–100% / CMY mode: 100%–0
	25	Head 2 Blue	000○255	RGBW mode: 0–100% / CMY mode: 100%–0
	26	Head 2 White	000○255	RGBW mode: 0–100% / CMY mode: 100%–0
	27	Tilt 3	000○255	0–100%
	28	Fine Tilt 3	000○255	0–100%
	29	Continuous Tilt 3	000	No function
			001○127	Counterclockwise rotation, slow to fast
			128	Stop
			129○255	Clockwise rotation, slow to fast
	30	Head 3 Red	000○255	RGBW mode: 0–100% / CMY mode: 100%–0
	31	Head 3 Green	000○255	RGBW mode: 0–100% / CMY mode: 100%–0
	32	Head 3 Blue	000○255	RGBW mode: 0–100% / CMY mode: 100%–0
	33	Head 3 White	000○255	RGBW mode: 0–100% / CMY mode: 100%–0
	34	Tilt 4	000○255	0–100%
	35	Fine Tilt 4	000○255	0–100%
	36	Continuous Tilt 4	000	No function
			001○127	Counterclockwise rotation, slow to fast
			128	Stop
			129○255	Clockwise rotation, slow to fast
	37	Head 4 Red	000○255	RGBW mode: 0–100% / CMY mode: 100%–0
	38	Head 4 Green	000○255	RGBW mode: 0–100% / CMY mode: 100%–0
	39	Head 4 Blue	000○255	RGBW mode: 0–100% / CMY mode: 100%–0
	40	Head 4 White	000○255	RGBW mode: 0–100% / CMY mode: 100%–0
	41	Tilt 5	000○255	0–100%
	42	Fine Tilt 5	000○255	0–100%
	43	Continuous Tilt 5	000	No function
			001○127	Counterclockwise rotation, slow to fast
			128	Stop
			129○255	Clockwise rotation, slow to fast
	44	Head 5 Red	000○255	RGBW mode: 0–100% / CMY mode: 100%–0
	45	Head 5 Green	000○255	RGBW mode: 0–100% / CMY mode: 100%–0
	46	Head 5 Blue	000○255	RGBW mode: 0–100% / CMY mode: 100%–0
	47	Head 5 White	000○255	RGBW mode: 0–100% / CMY mode: 100%–0

**Advanced Mode
(47-channel)**

Channel	Function	Value	Percent/Settings
1	Pan	000-255	0-100%
2	Fine Pan	000-255	0-100%
3	Continuous Pan	000	No function
		001-127	Counterclockwise rotation, slow to fast
		128	Stop
		129-255	Clockwise rotation, slow to fast
4	Tilt 1	000-255	0-100%
5	Fine Tilt 1	000-255	0-100%
6	Tilt 2	000-255	0-100%
7	Fine Tilt 2	000-255	0-100%
8	Tilt 3	000-255	0-100%
9	Fine Tilt 3	000-255	0-100%
10	Tilt 4	000-255	0-100%
11	Fine Tilt 4	000-255	0-100%
12	Tilt 5	000-255	0-100%
13	Fine Tilt 5	000-255	0-100%
14	Continuous Tilt 1	000	No function
		001-127	Counterclockwise rotation, slow to fast
		128	Stop
		129-255	Clockwise rotation, slow to fast
15	Continuous Tilt 2	000	No function
		001-127	Counterclockwise rotation, slow to fast
		128	Stop
		129-255	Clockwise rotation, slow to fast
16	Continuous Tilt 3	000	No function
		001-127	Counterclockwise rotation, slow to fast
		128	Stop
		129-255	Clockwise rotation, slow to fast
17	Continuous Tilt 4	000	No function
		001-127	Counterclockwise rotation, slow to fast
		128	Stop
		129-255	Clockwise rotation, slow to fast
18	Continuous Tilt 5	000	No function
		001-127	Counterclockwise rotation, slow to fast
		128	Stop
		129-255	Clockwise rotation, slow to fast

Advanced Mode
(47-channel cont.)

Channel	Function	Value	Percent/Settings
19	Tilt Macro	000 047	No function
		048 055	Tilt Macro 1
		056 063	Tilt Macro 2
		064 071	Tilt Macro 3
		072 079	Tilt Macro 4
		080 087	Tilt Macro 5
		088 095	Tilt Macro 6
		096 103	Tilt Macro 7
		104 111	Tilt Macro 8
		112 119	Tilt Macro 9
		120 127	Tilt Macro 10
		128 135	Tilt Macro 11
		136 143	Tilt Macro 12
		144 151	Tilt Macro 13
		152 159	Tilt Macro 14
		160 167	Tilt Macro 15
		168 175	Tilt Macro 16
		176 183	Tilt Macro 17
		184 191	Tilt Macro 18
		192 199	Tilt Macro 19
		200 207	Tilt Macro 20
		208 215	Tilt Macro 21
		216 223	Tilt Macro 22
		224 231	Tilt Macro 23
		232 239	Tilt Macro 24
		240 247	Tilt Macro 25
248 255	Tilt Macro 26		
20	Tilt Macro Speed	000 255	Fast to slow

Advanced Mode (47-channel cont.)	Channel	Function	Value	Percent/Settings
	21	Control	000○009	No function
			010○014	Manual tilt blackout
			015○019	Cancel manual tilt blackout
			020○024	1 fixture macro
			025○029	2 fixture macro 1
			030○034	2 fixture macro 2
			035○039	4 fixture macro 1
			040○044	4 fixture macro 2
			045○049	4 fixture macro 3
			050○054	4 fixture macro 4
			055○059	Pan reset
			060○064	Tilt reset
			065○069	No function (reserved for future use)
			070○074	Reset all
			075○079	No function (reserved for future use)
			080○084	Pan/Tilt reverse
			085○089	Pan reverse
			090○094	Tilt reverse
			095○099	Cancel pan reverse
			100○104	Cancel tilt reverse
			105○109	Cancel pan/tilt reverse
			110○114	No function (reserved for future use)
			115○119	Link all heads to head 1
			120○124	Unlink all heads from head 1
			125○134	No function (reserved for future use)
135○139	Dimmer speed mode fast			
140○144	Dimmer speed mode smooth			
145○255	No function			
	22	Dimmer	000○255	0–100%
	23	Shutter	000○019	Off
			020○024	On
			025○064	Strobe 1, fast to slow
			065○069	On
			070○084	Strobe 2 (Fast on, slow off), fast to slow
			085○089	On
			090○104	Strobe 3 (Slow on, fast off), fast to slow
			104○109	On
			110○124	Strobe 4 (Random), fast to slow
			125○129	On
			130○144	Strobe 5 (Random fast on, slow off), fast to slow
			145○149	On
			150○164	Strobe 6 (Random slow on, fast off), fast to slow
			165○169	On
			170○184	Strobe 7 (Pulse), fast to slow
			185○189	On
			190○204	Strobe 8 (Random pulse), fast to slow
			205○209	On
			210○224	Strobe 9 (Fade in, fade out), fast to slow
			225○229	On
230○244	Strobe 10 (Random pulse), fast to slow			
245○255	On			

Advanced Mode (47-channel cont.)	Channel	Function	Value	Percent/Settings
			000○ 013	No function
			014○ 020	Color 1
			021○ 028	Color 2
			029○ 036	Color 3
			037○ 044	Color 4
			045○ 052	Color 5
			053○ 060	Color 6
			061○ 068	Color 7
			069○ 076	Color 8
			077○ 084	Color 9
			085○ 092	Color 10
			093○ 100	Color 11
			101○ 108	Color 12
			109○ 116	Color 13
			117○ 124	Color 14
			125○ 133	Color 15
			134○ 185	No function
			186○ 207	Rainbow effect, fast to slow
			208○ 213	Stop
			214○ 235	Reverse Rainbow effect, fast to slow
			236○ 240	No function
			241○ 255	Color jump, fast to slow

Advanced Mode (47-channel cont.)	Channel	Function	Value	Percent/Settings				
				Head 1	Head 2	Head 3	Head 4	Head 5
			000 005	●	●	●	●	●
			006 011	○	●	●	●	●
			012 017	○	○	●	●	●
			018 023	○	○	○	●	●
			024 029	○	○	○	○	●
			030 035	○	○	○	○	○
			036 041	●	○	○	○	○
			042 047	●	●	○	○	○
			048 053	●	●	●	○	○
			054 059	●	●	●	●	○
			060 065	●	●	●	●	●
			066 071	○	○	○	○	○
			072 077	●	○	○	○	○
			078 083	○	●	○	○	○
			084 089	○	○	●	○	○
			090 095	○	○	○	●	○
			096 101	○	○	○	○	●
			102 107	○	○	○	○	○
			108 113	●	●	○	○	○
			114 119	○	●	●	○	○
			120 125	○	○	●	●	○
			126 131	○	○	○	●	●
			132 137	●	○	○	○	●
			138 143	○	○	○	○	○
			144 149	○	●	●	●	●
			150 155	●	○	●	●	●
			156 161	●	●	○	●	●
			162 167	●	●	●	○	●
			168 173	●	●	●	●	○
			174 179	○	○	○	○	○
			180 185	○	○	○	○	●
			186 191	○	○	○	●	●
			192 197	○	○	●	●	●
			198 203	○	●	●	●	●
			204 209	●	●	●	●	●
			210 215	○	○	○	○	○
			216 221	●	●	●	○	○
			222 227	○	●	●	●	○
			228 233	○	○	●	●	●
			234 239	●	○	○	●	●
			240 245	●	●	○	○	●
			246 255	●	●	●	●	●

25

On/Off Preset
(● = on; ○ = off)

Advanced Mode (47-channel cont.)	Channel	Function	Value	Percent/Settings
			000ó 255	No function
			000ó 255	LED Macro 1
			000ó 255	LED Macro 2
			000ó 255	LED Macro 3
			000ó 255	LED Macro 4
			000ó 255	LED Macro 5
			000ó 255	LED Macro 6
			000ó 255	LED Macro 7
			000ó 255	LED Macro 8
			000ó 255	LED Macro 9
			000ó 255	LED Macro 10
			000ó 255	LED Macro 11
			000ó 255	LED Macro 12
			000ó 255	LED Macro 13
			000ó 255	LED Macro 14
			000ó 255	LED Macro 15
			000ó 255	LED Macro 16
			000ó 255	LED Macro 17
			000ó 255	LED Macro 18
			000ó 255	LED Macro 19
			000ó 255	LED Macro 20
			000ó 255	LED Macro 21
			000ó 255	LED Macro 22
			000ó 255	LED Macro 23
			000ó 255	LED Macro 24 (cycle 1–23)
			000ó 255	Auto program 1
			000ó 255	Auto program 2
			000ó 255	Auto program 3
			000ó 255	Auto program 4
			000ó 255	Auto program 5
			000ó 255	Auto program 6
			000ó 255	Auto program 7
			000ó 255	Auto program 8
			000ó 255	Auto program 9
			000ó 255	Auto program 10
			000ó 255	Auto program 11
			000ó 255	Auto program 12
			000ó 255	Auto program 13
			000ó 255	Auto program 14
			000ó 255	Auto program 15
			000ó 255	Auto program 16
			000ó 255	Auto program 17
			000ó 255	Auto program 18
			000ó 255	Auto program 19
			000ó 255	Auto program 20
			000ó 255	Auto program 21
			000ó 255	Auto program 22
			000ó 255	Auto program 23
			000ó 255	Auto program 24 (cycle 1–23)
	26	LED Macro/ Auto Program		
	27	LED Macro Speed	000ó 255	Slow to fast

Advanced Mode (47-channel cont.)	Channel	Function	Value	Percent/Settings
	28	Head 1 Red	000○255	RGBW mode: 0–100% / CMY mode: 100%–0
	29	Head 1 Green	000○255	RGBW mode: 0–100% / CMY mode: 100%–0
	30	Head 1 Blue	000○255	RGBW mode: 0–100% / CMY mode: 100%–0
	31	Head 1 White	000○255	RGBW mode: 0–100% / CMY mode: 100%–0
	32	Head 2 Red	000○255	RGBW mode: 0–100% / CMY mode: 100%–0
	33	Head 2 Green	000○255	RGBW mode: 0–100% / CMY mode: 100%–0
	34	Head 2 Blue	000○255	RGBW mode: 0–100% / CMY mode: 100%–0
	35	Head 2 White	000○255	RGBW mode: 0–100% / CMY mode: 100%–0
	36	Head 3 Red	000○255	RGBW mode: 0–100% / CMY mode: 100%–0
	37	Head 3 Green	000○255	RGBW mode: 0–100% / CMY mode: 100%–0
	38	Head 3 Blue	000○255	RGBW mode: 0–100% / CMY mode: 100%–0
	39	Head 3 White	000○255	RGBW mode: 0–100% / CMY mode: 100%–0
	40	Head 4 Red	000○255	RGBW mode: 0–100% / CMY mode: 100%–0
	41	Head 4 Green	000○255	RGBW mode: 0–100% / CMY mode: 100%–0
	42	Head 4 Blue	000○255	RGBW mode: 0–100% / CMY mode: 100%–0
	43	Head 4 White	000○255	RGBW mode: 0–100% / CMY mode: 100%–0
	44	Head 5 Red	000○255	RGBW mode: 0–100% / CMY mode: 100%–0
	45	Head 5 Green	000○255	RGBW mode: 0–100% / CMY mode: 100%–0
	46	Head 5 Blue	000○255	RGBW mode: 0–100% / CMY mode: 100%–0
	47	Head 5 White	000○255	RGBW mode: 0–100% / CMY mode: 100%–0

Standard Mode (25-channel)	Channel	Function	Value	Percent/Settings
	1	Pan	000○255	0–100%
	2	Continuous Pan	000	No function
			001○127	Counterclockwise rotation, slow to fast
			128	Stop
			129○255	Clockwise rotation, slow to fast
	3	Tilt 1	000○255	0–100%
	4	Tilt 2	000○255	0–100%
	5	Tilt 3	000○255	0–100%
	6	Tilt 4	000○255	0–100%
	7	Tilt 5	000○255	0–100%
	8	Continuous Tilt 1	000	No function
			001○127	Counterclockwise rotation, slow to fast
			128	Stop
			129○255	Clockwise rotation, slow to fast
	9	Continuous Tilt 2	000	No function
			001○127	Counterclockwise rotation, slow to fast
			128	Stop
			129○255	Clockwise rotation, slow to fast
	10	Continuous Tilt 3	000	No function
			001○127	Counterclockwise rotation, slow to fast
			128	Stop
			129○255	Clockwise rotation, slow to fast
	11	Continuous Tilt 4	000	No function
			001○127	Counterclockwise rotation, slow to fast
			128	Stop
			129○255	Clockwise rotation, slow to fast
	12	Continuous Tilt 5	000	No function
			001○127	Counterclockwise rotation, slow to fast
			128	Stop
			129○255	Clockwise rotation, slow to fast

Standard Mode
(25-channel cont.)

Channel	Function	Value	Percent/Settings
13	Tilt Macro	000 047	No function
		048 055	Tilt Macro 1
		056 063	Tilt Macro 2
		064 071	Tilt Macro 3
		072 079	Tilt Macro 4
		080 087	Tilt Macro 5
		088 095	Tilt Macro 6
		096 103	Tilt Macro 7
		104 111	Tilt Macro 8
		112 119	Tilt Macro 9
		120 127	Tilt Macro 10
		128 135	Tilt Macro 11
		136 143	Tilt Macro 12
		144 151	Tilt Macro 13
		152 159	Tilt Macro 14
		160 167	Tilt Macro 15
		168 175	Tilt Macro 16
		176 183	Tilt Macro 17
		184 191	Tilt Macro 18
		192 199	Tilt Macro 19
		200 207	Tilt Macro 20
		208 215	Tilt Macro 21
		216 223	Tilt Macro 22
		224 231	Tilt Macro 23
		232 239	Tilt Macro 24
		240 247	Tilt Macro 25
248 255	Tilt Macro 26		
14	Tilt Macro Speed	000 255	Fast to slow

Standard Mode (25-channel cont.)	Channel	Function	Value	Percent/Settings
15	Control		000○009	No function
			010○014	Manual tilt blackout
			015○019	Cancel manual tilt blackout
			020○024	1 fixture macro
			025○029	2 fixture macro 1
			030○034	2 fixture macro 2
			035○039	4 fixture macro 1
			040○044	4 fixture macro 2
			045○049	4 fixture macro 3
			050○054	4 fixture macro 4
			055○059	Pan reset
			060○064	Tilt reset
			065○069	No function (reserved for future use)
			070○074	Reset all
			075○079	No function (reserved for future use)
			080○084	Pan/Tilt reverse
			085○089	Pan reverse
			090○094	Tilt reverse
			095○099	Cancel pan reverse
			100○104	Cancel tilt reverse
			105○109	Cancel pan/tilt reverse
			110○114	No function (reserved for future use)
			115○119	Link all heads to head 1
			120○124	Unlink all heads from head 1
			125○134	No function (reserved for future use)
	135○139	Dimmer speed mode fast		
	140○144	Dimmer speed mode smooth		
	145○255	No function		
16	Dimmer		000○255	0–100%
17	Shutter		000○019	Off
			020○024	On
			025○064	Strobe 1, fast to slow
			065○069	On
			070○084	Strobe 2 (Fast on, slow off), fast to slow
			085○089	On
			090○104	Strobe 3 (Slow on, fast off), fast to slow
			104○109	On
			110○124	Strobe 4 (Random), fast to slow
			125○129	On
			130○144	Strobe 5 (Random fast on, slow off), fast to slow
			145○149	On
			150○164	Strobe 6 (Random slow on, fast off), fast to slow
			165○169	On
			170○184	Strobe 7 (Pulse), fast to slow
			185○189	On
			190○204	Strobe 8 (Random pulse), fast to slow
			205○209	On
			210○224	Strobe 9 (Fade in, fade out), fast to slow
			225○229	On
	230○244	Strobe 10 (Random pulse), fast to slow		
	245○255	On		

Standard Mode (25-channel cont.)	Channel	Function	Value	Percent/Settings
	18	Color Macro	000	013 No function
			014	020 Color 1
			021	028 Color 2
			029	036 Color 3
			037	044 Color 4
			045	052 Color 5
			053	060 Color 6
			061	068 Color 7
			069	076 Color 8
			077	084 Color 9
			085	092 Color 10
			093	100 Color 11
			101	108 Color 12
			109	116 Color 13
			117	124 Color 14
			125	133 Color 15
			134	185 No function
			186	207 Rainbow effect, fast to slow
			208	213 Stop
			214	235 Reverse Rainbow effect, fast to slow
			236	240 No function
			241	255 Color jump, fast to slow

Standard Mode (25-channel cont.)	Channel	Function	Value	Percent/Settings				
				Head 1	Head 2	Head 3	Head 4	Head 5
			000○ 005	●	●	●	●	●
			006○ 011	○	●	●	●	●
			012○ 017	○	○	●	●	●
			018○ 023	○	○	○	●	●
			024○ 029	○	○	○	○	●
			030○ 035	○	○	○	○	○
			036○ 041	●	○	○	○	○
			042○ 047	●	●	○	○	○
			048○ 053	●	●	●	○	○
			054○ 059	●	●	●	●	○
			060○ 065	●	●	●	●	●
			066○ 071	○	○	○	○	○
			072○ 077	●	○	○	○	○
			078○ 083	○	●	○	○	○
			084○ 089	○	○	●	○	○
			090○ 095	○	○	○	●	○
			096○ 101	○	○	○	○	●
			102○ 107	○	○	○	○	○
			108○ 113	●	●	○	○	○
			114○ 119	○	●	●	○	○
			120○ 125	○	○	●	●	○
			126○ 131	○	○	○	●	●
			132○ 137	●	○	○	○	●
			138○ 143	○	○	○	○	○
			144○ 149	○	●	●	●	●
			150○ 155	●	○	●	●	●
			156○ 161	●	●	○	●	●
			162○ 167	●	●	●	○	●
			168○ 173	●	●	●	●	○
			174○ 179	○	○	○	○	○
			180○ 185	○	○	○	○	●
			186○ 191	○	○	○	●	●
			192○ 197	○	○	●	●	●
			198○ 203	○	●	●	●	●
			204○ 209	●	●	●	●	●
			210○ 215	○	○	○	○	○
			216○ 221	●	●	●	○	○
			222○ 227	○	●	●	●	○
			228○ 233	○	○	●	●	●
			234○ 239	●	○	○	●	●
			240○ 245	●	●	○	○	●
			246○ 255	●	●	●	●	●

19

On/Off Preset
(● = on; ○ = off)

Standard Mode (25-channel cont.)	Channel	Function	Value	Percent/Settings
			000ó 255	No function
			000ó 255	LED Macro 1
			000ó 255	LED Macro 2
			000ó 255	LED Macro 3
			000ó 255	LED Macro 4
			000ó 255	LED Macro 5
			000ó 255	LED Macro 6
			000ó 255	LED Macro 7
			000ó 255	LED Macro 8
			000ó 255	LED Macro 9
			000ó 255	LED Macro 10
			000ó 255	LED Macro 11
			000ó 255	LED Macro 12
			000ó 255	LED Macro 13
			000ó 255	LED Macro 14
			000ó 255	LED Macro 15
			000ó 255	LED Macro 16
			000ó 255	LED Macro 17
			000ó 255	LED Macro 18
			000ó 255	LED Macro 19
			000ó 255	LED Macro 20
			000ó 255	LED Macro 21
			000ó 255	LED Macro 22
			000ó 255	LED Macro 23
	20	LED Macro/ Auto Program	000ó 255	LED Macro 24 (cycle 1–23)
			000ó 255	Auto program 1
			000ó 255	Auto program 2
			000ó 255	Auto program 3
			000ó 255	Auto program 4
			000ó 255	Auto program 5
			000ó 255	Auto program 6
			000ó 255	Auto program 7
			000ó 255	Auto program 8
			000ó 255	Auto program 9
			000ó 255	Auto program 10
			000ó 255	Auto program 11
			000ó 255	Auto program 12
			000ó 255	Auto program 13
			000ó 255	Auto program 14
			000ó 255	Auto program 15
			000ó 255	Auto program 16
			000ó 255	Auto program 17
			000ó 255	Auto program 18
			000ó 255	Auto program 19
			000ó 255	Auto program 20
			000ó 255	Auto program 21
			000ó 255	Auto program 22
			000ó 255	Auto program 23
			000ó 255	Auto program 24 (cycle 1–23)
	21	LED Macro Speed	000ó 255	Slow to fast

Standard Mode (25-channel cont.)	Channel	Function	Value	Percent/Settings
	22	Red	000○255	RGBW mode: 0–100% / CMY mode: 100%–0
	23	Green	000○255	RGBW mode: 0–100% / CMY mode: 100%–0
	24	Blue	000○255	RGBW mode: 0–100% / CMY mode: 100%–0
	25	White	000○255	RGBW mode: 0–100% / CMY mode: 100%–0

Basic Mode (18-channel)	Channel	Function	Value	Percent/Settings
	1	Pan	000○255	0–100%
	2	Continuous Pan	000	No function
			001○127	Counterclockwise rotation, slow to fast
			128	Stop
			129○255	Clockwise rotation, slow to fast
	3	Tilt All	000○255	0–100%
	4	Continuous Tilt All	000	No function
			001○127	Counterclockwise rotation, slow to fast
			128	Stop
			129○255	Clockwise rotation, slow to fast
	5	Tilt Offset	000○255	Offset heads from each other, 0–360°
	6	Tilt Macro	000○047	No function
			048○055	Tilt Macro 1
			056○063	Tilt Macro 2
			064○071	Tilt Macro 3
			072○079	Tilt Macro 4
			080○087	Tilt Macro 5
			088○095	Tilt Macro 6
			096○103	Tilt Macro 7
			104○111	Tilt Macro 8
			112○119	Tilt Macro 9
			120○127	Tilt Macro 10
			128○135	Tilt Macro 11
			136○143	Tilt Macro 12
			144○151	Tilt Macro 13
			152○159	Tilt Macro 14
			160○167	Tilt Macro 15
			168○175	Tilt Macro 16
			176○183	Tilt Macro 17
			184○191	Tilt Macro 18
			192○199	Tilt Macro 19
			200○207	Tilt Macro 20
			208○215	Tilt Macro 21
			216○223	Tilt Macro 22
			224○231	Tilt Macro 23
			232○239	Tilt Macro 24
			240○247	Tilt Macro 25
	248○255	Tilt Macro 26		
	7	Tilt Macro Speed	000○255	Fast to slow

Basic Mode (18-channel cont.)	Channel	Function	Value	Percent/Settings
8	Control		000○009	No function
			010○014	Manual tilt blackout
			015○019	Cancel manual tilt blackout
			020○024	1 fixture macro
			025○029	2 fixture macro 1
			030○034	2 fixture macro 2
			035○039	4 fixture macro 1
			040○044	4 fixture macro 2
			045○049	4 fixture macro 3
			050○054	4 fixture macro 4
			055○059	Pan reset
			060○064	Tilt reset
			065○069	No function (reserved for future use)
			070○074	Reset all
			075○079	No function (reserved for future use)
			080○084	Pan/Tilt reverse
			085○089	Pan reverse
			090○094	Tilt reverse
			095○099	Cancel pan reverse
			100○104	Cancel tilt reverse
			105○109	Cancel pan/tilt reverse
			110○114	No function (reserved for future use)
			115○119	Link all heads to head 1
			120○124	Unlink all heads from head 1
			125○134	No function (reserved for future use)
	135○139	Dimmer speed mode fast		
	140○144	Dimmer speed mode smooth		
	145○255	No function		
9	Dimmer		000○255	0–100%
10	Shutter		000○019	Off
			020○024	On
			025○064	Strobe 1, fast to slow
			065○069	On
			070○084	Strobe 2 (Fast on, slow off), fast to slow
			085○089	On
			090○104	Strobe 3 (Slow on, fast off), fast to slow
			104○109	On
			110○124	Strobe 4 (Random), fast to slow
			125○129	On
			130○144	Strobe 5 (Random fast on, slow off), fast to slow
			145○149	On
			150○164	Strobe 6 (Random slow on, fast off), fast to slow
			165○169	On
			170○184	Strobe 7 (Pulse), fast to slow
			185○189	On
			190○204	Strobe 8 (Random pulse), fast to slow
			205○209	On
			210○224	Strobe 9 (Fade in, fade out), fast to slow
			225○229	On
	230○244	Strobe 10 (Random pulse), fast to slow		
	245○255	On		

Basic Mode (18-channel cont.)	Channel	Function	Value	Percent/Settings
			000○ 013	No function
			014○ 020	Color 1
			021○ 028	Color 2
			029○ 036	Color 3
			037○ 044	Color 4
			045○ 052	Color 5
			053○ 060	Color 6
			061○ 068	Color 7
			069○ 076	Color 8
			077○ 084	Color 9
			085○ 092	Color 10
			093○ 100	Color 11
			101○ 108	Color 12
			109○ 116	Color 13
			117○ 124	Color 14
			125○ 133	Color 15
			134○ 185	No function
			186○ 207	Rainbow effect, fast to slow
			208○ 213	Stop
			214○ 235	Reverse Rainbow effect, fast to slow
			236○ 240	No function
			241○ 255	Color jump, fast to slow

Basic Mode (18-channel cont.)	Channel	Function	Value	Percent/Settings				
				Head 1	Head 2	Head 3	Head 4	Head 5
			000 005	●	●	●	●	●
			006 011	○	●	●	●	●
			012 017	○	○	●	●	●
			018 023	○	○	○	●	●
			024 029	○	○	○	○	●
			030 035	○	○	○	○	○
			036 041	●	○	○	○	○
			042 047	●	●	○	○	○
			048 053	●	●	●	○	○
			054 059	●	●	●	●	○
			060 065	●	●	●	●	●
			066 071	○	○	○	○	○
			072 077	●	○	○	○	○
			078 083	○	●	○	○	○
			084 089	○	○	●	○	○
			090 095	○	○	○	●	○
			096 101	○	○	○	○	●
			102 107	○	○	○	○	○
			108 113	●	●	○	○	○
			114 119	○	●	●	○	○
	12	On/Off Preset (● = on; ○ = off)	120 125	○	○	●	●	○
			126 131	○	○	○	●	●
			132 137	●	○	○	○	●
			138 143	○	○	○	○	○
			144 149	○	●	●	●	●
			150 155	●	○	●	●	●
			156 161	●	●	○	●	●
			162 167	●	●	●	○	●
			168 173	●	●	●	●	○
			174 179	○	○	○	○	○
			180 185	○	○	○	○	●
			186 191	○	○	○	●	●
			192 197	○	○	●	●	●
			198 203	○	●	●	●	●
			204 209	●	●	●	●	●
			210 215	○	○	○	○	○
			216 221	●	●	●	○	○
			222 227	○	●	●	●	○
			228 233	○	○	●	●	●
			234 239	●	○	○	●	●
			240 245	●	●	○	○	●
			246 255	●	●	●	●	●

Basic Mode (18-channel cont.)	Channel	Function	Value	Percent/Settings
			000ó 255	No function
			000ó 255	LED Macro 1
			000ó 255	LED Macro 2
			000ó 255	LED Macro 3
			000ó 255	LED Macro 4
			000ó 255	LED Macro 5
			000ó 255	LED Macro 6
			000ó 255	LED Macro 7
			000ó 255	LED Macro 8
			000ó 255	LED Macro 9
			000ó 255	LED Macro 10
			000ó 255	LED Macro 11
			000ó 255	LED Macro 12
			000ó 255	LED Macro 13
			000ó 255	LED Macro 14
			000ó 255	LED Macro 15
			000ó 255	LED Macro 16
			000ó 255	LED Macro 17
			000ó 255	LED Macro 18
			000ó 255	LED Macro 19
			000ó 255	LED Macro 20
			000ó 255	LED Macro 21
			000ó 255	LED Macro 22
			000ó 255	LED Macro 23
			000ó 255	LED Macro 24 (cycle 1–23)
			000ó 255	Auto program 1
			000ó 255	Auto program 2
			000ó 255	Auto program 3
			000ó 255	Auto program 4
			000ó 255	Auto program 5
			000ó 255	Auto program 6
			000ó 255	Auto program 7
			000ó 255	Auto program 8
			000ó 255	Auto program 9
			000ó 255	Auto program 10
			000ó 255	Auto program 11
			000ó 255	Auto program 12
			000ó 255	Auto program 13
			000ó 255	Auto program 14
			000ó 255	Auto program 15
			000ó 255	Auto program 16
			000ó 255	Auto program 17
			000ó 255	Auto program 18
			000ó 255	Auto program 19
			000ó 255	Auto program 20
			000ó 255	Auto program 21
			000ó 255	Auto program 22
			000ó 255	Auto program 23
			000ó 255	Auto program 24 (cycle 1–23)
	13	LED Macro/ Auto Program		
	14	LED Macro Speed	000ó 255	Slow to fast

Basic Mode (18-channel cont.)	Channel	Function	Value	Percent/Settings
	15	Red	000○255	RGBW mode: 0–100% / CMY mode: 100%–0
	16	Green	000○255	RGBW mode: 0–100% / CMY mode: 100%–0
	17	Blue	000○255	RGBW mode: 0–100% / CMY mode: 100%–0
	18	White	000○255	RGBW mode: 0–100% / CMY mode: 100%–0

Dual Control Movement Values

Advanced Movement Mode (23-channel)	Channel	Function	Value	Percent/Settings
	1	Pan	000○255	0–100%
	2	Fine Pan	000○255	0–100%
	3	Continuous Pan	000	No function
			001○127	Counterclockwise rotation, slow to fast
			128	Stop
			129○255	Clockwise rotation, slow to fast
	4	Tilt 1	000○255	0–100%
	5	Fine Tilt 1	000○255	0–100%
	6	Tilt 2	000○255	0–100%
	7	Fine Tilt 2	000○255	0–100%
	8	Tilt 3	000○255	0–100%
	9	Fine Tilt 3	000○255	0–100%
	10	Tilt 4	000○255	0–100%
	11	Fine Tilt 4	000○255	0–100%
	12	Tilt 5	000○255	0–100%
	13	Fine Tilt 5	000○255	0–100%
	14	Continuous Tilt 1	000	No function
			001○127	Counterclockwise rotation, slow to fast
			128	Stop
			129○255	Clockwise rotation, slow to fast
	15	Continuous Tilt 2	000	No function
			001○127	Counterclockwise rotation, slow to fast
			128	Stop
			129○255	Clockwise rotation, slow to fast
	16	Continuous Tilt 3	000	No function
			001○127	Counterclockwise rotation, slow to fast
			128	Stop
			129○255	Clockwise rotation, slow to fast
	17	Continuous Tilt 4	000	No function
			001○127	Counterclockwise rotation, slow to fast
			128	Stop
			129○255	Clockwise rotation, slow to fast
	18	Continuous Tilt 5	000	No function
			001○127	Counterclockwise rotation, slow to fast
			128	Stop
			129○255	Clockwise rotation, slow to fast

Advanced Movement Mode (23-channel cont.)	Channel	Function	Value	Percent/Settings
19	Tilt Macro		000 047	No function
			048 055	Tilt Macro 1
			056 063	Tilt Macro 2
			064 071	Tilt Macro 3
			072 079	Tilt Macro 4
			080 087	Tilt Macro 5
			088 095	Tilt Macro 6
			096 103	Tilt Macro 7
			104 111	Tilt Macro 8
			112 119	Tilt Macro 9
			120 127	Tilt Macro 10
			128 135	Tilt Macro 11
			136 143	Tilt Macro 12
			144 151	Tilt Macro 13
			152 159	Tilt Macro 14
			160 167	Tilt Macro 15
			168 175	Tilt Macro 16
			176 183	Tilt Macro 17
			184 191	Tilt Macro 18
			192 199	Tilt Macro 19
			200 207	Tilt Macro 20
			208 215	Tilt Macro 21
			216 223	Tilt Macro 22
			224 231	Tilt Macro 23
			232 239	Tilt Macro 24
			240 247	Tilt Macro 25
			248 255	Tilt Macro 26
20	Tilt Macro Speed		000 255	Fast to slow
21	Dimmer		000 255	0–100%
22	Shutter		000 019	Off
			020 024	On
			025 064	Strobe 1, fast to slow
			065 069	On
			070 084	Strobe 2 (Fast on, slow off), fast to slow
			085 089	On
			090 104	Strobe 3 (Slow on, fast off), fast to slow
			104 109	On
			110 124	Strobe 4 (Random), fast to slow
			125 129	On
			130 144	Strobe 5 (Random fast on, slow off), fast to slow
			145 149	On
			150 164	Strobe 6 (Random slow on, fast off), fast to slow
			165 169	On
			170 184	Strobe 7 (Pulse), fast to slow
			185 189	On
			190 204	Strobe 8 (Random pulse), fast to slow
			205 209	On
			210 224	Strobe 9 (Fade in, fade out), fast to slow
			225 229	On
	230 244	Strobe 10 (Random pulse), fast to slow		
	245 255	On		

Advanced Movement Mode (23-channel cont.)	Channel	Function	Value	Percent/Settings
			000 ∘ 009	No function
			010 ∘ 014	Manual tilt blackout
			015 ∘ 019	Cancel manual tilt blackout
			020 ∘ 024	1 fixture macro
			025 ∘ 029	2 fixture macro 1
			030 ∘ 034	2 fixture macro 2
			035 ∘ 039	4 fixture macro 1
			040 ∘ 044	4 fixture macro 2
			045 ∘ 049	4 fixture macro 3
			050 ∘ 054	4 fixture macro 4
			055 ∘ 059	Pan reset
			060 ∘ 064	Tilt reset
			065 ∘ 069	No function (reserved for future use)
	23	Control	070 ∘ 074	Reset all
			075 ∘ 079	No function (reserved for future use)
			080 ∘ 084	Pan/Tilt reverse
			085 ∘ 089	Pan reverse
			090 ∘ 094	Tilt reverse
			095 ∘ 099	Cancel pan reverse
			100 ∘ 104	Cancel tilt reverse
			105 ∘ 109	Cancel pan/tilt reverse
			110 ∘ 114	No function (reserved for future use)
			115 ∘ 119	Link all heads to head 1
			120 ∘ 124	Unlink all heads from head 1
			125 ∘ 134	No function (reserved for future use)
			135 ∘ 139	Dimmer speed mode fast
			140 ∘ 144	Dimmer speed mode smooth
			145 ∘ 255	No function

Standard Movement Mode (17-channel)	Channel	Function	Value	Percent/Settings
	1	Pan		000
000				No function
001				Counterclockwise rotation, slow to fast
128				Stop
2	Continuous Pan		129	Clockwise rotation, slow to fast
			000	No function
			001	Counterclockwise rotation, slow to fast
			128	Stop
3	Tilt 1		000	0–100%
4	Tilt 2		000	0–100%
5	Tilt 3		000	0–100%
6	Tilt 4		000	0–100%
7	Tilt 5		000	0–100%
8	Continuous Tilt 1		000	No function
			001	Counterclockwise rotation, slow to fast
			128	Stop
			129	Clockwise rotation, slow to fast
9	Continuous Tilt 2		000	No function
			001	Counterclockwise rotation, slow to fast
			128	Stop
			129	Clockwise rotation, slow to fast
10	Continuous Tilt 3		000	No function
			001	Counterclockwise rotation, slow to fast
			128	Stop
			129	Clockwise rotation, slow to fast
11	Continuous Tilt 4		000	No function
			001	Counterclockwise rotation, slow to fast
			128	Stop
			129	Clockwise rotation, slow to fast
12	Continuous Tilt 5		000	No function
			001	Counterclockwise rotation, slow to fast
			128	Stop
			129	Clockwise rotation, slow to fast

Standard Movement Mode (17-channel cont.)	Channel	Function	Value	Percent/Settings
			000 047	No function
			048 055	Tilt Macro 1
			056 063	Tilt Macro 2
			064 071	Tilt Macro 3
			072 079	Tilt Macro 4
			080 087	Tilt Macro 5
			088 095	Tilt Macro 6
			096 103	Tilt Macro 7
			104 111	Tilt Macro 8
			112 119	Tilt Macro 9
			120 127	Tilt Macro 10
			128 135	Tilt Macro 11
			136 143	Tilt Macro 12
	13	Tilt Macro	144 151	Tilt Macro 13
			152 159	Tilt Macro 14
			160 167	Tilt Macro 15
			168 175	Tilt Macro 16
			176 183	Tilt Macro 17
			184 191	Tilt Macro 18
			192 199	Tilt Macro 19
			200 207	Tilt Macro 20
			208 215	Tilt Macro 21
			216 223	Tilt Macro 22
			224 231	Tilt Macro 23
			232 239	Tilt Macro 24
			240 247	Tilt Macro 25
			248 255	Tilt Macro 26
	14	Tilt Macro Speed	000 255	Fast to slow
	15	Dimmer	000 255	0–100%

Standard Movement Mode (17-channel cont.)	Channel	Function	Value	Percent/Settings
	16	Shutter	000○ 019	Off
			020○ 024	On
			025○ 064	Strobe 1, fast to slow
			065○ 069	On
			070○ 084	Strobe 2 (Fast on, slow off), fast to slow
			085○ 089	On
			090○ 104	Strobe 3 (Slow on, fast off), fast to slow
			104○ 109	On
			110○ 124	Strobe 4 (Random), fast to slow
			125○ 129	On
			130○ 144	Strobe 5 (Random fast on, slow off), fast to slow
			145○ 149	On
			150○ 164	Strobe 6 (Random slow on, fast off), fast to slow
			165○ 169	On
			170○ 184	Strobe 7 (Pulse), fast to slow
			185○ 189	On
			190○ 204	Strobe 8 (Random pulse), fast to slow
			205○ 209	On
			210○ 224	Strobe 9 (Fade in, fade out), fast to slow
			225○ 229	On
230○ 244	Strobe 10 (Random pulse), fast to slow			
245○ 255	On			
	17	Control	000○ 009	No function
			010○ 014	Manual tilt blackout
			015○ 019	Cancel manual tilt blackout
			020○ 024	1 fixture macro
			025○ 029	2 fixture macro 1
			030○ 034	2 fixture macro 2
			035○ 039	4 fixture macro 1
			040○ 044	4 fixture macro 2
			045○ 049	4 fixture macro 3
			050○ 054	4 fixture macro 4
			055○ 059	Pan reset
			060○ 064	Tilt reset
			065○ 069	No function (reserved for future use)
			070○ 074	Reset all
			075○ 079	No function (reserved for future use)
			080○ 084	Pan/Tilt reverse
			085○ 089	Pan reverse
			090○ 094	Tilt reverse
			095○ 099	Cancel pan reverse
			100○ 104	Cancel tilt reverse
			105○ 109	Cancel pan/tilt reverse
			110○ 114	No function (reserved for future use)
			115○ 119	Link all heads to head 1
			120○ 124	Unlink all heads from head 1
			125○ 134	No function (reserved for future use)
			135○ 139	Dimmer speed mode fast
			140○ 144	Dimmer speed mode smooth
			145○ 255	No function

Basic Movement Mode (10-channel)	Channel	Function	Value	Percent/Settings
	1	Pan	000	000
000			000	No function
001			0127	Counterclockwise rotation, slow to fast
128			128	Stop
2	Continuous Pan	129	0255	Clockwise rotation, slow to fast
		000	0255	0–100%
		000	000	No function
		001	0127	Counterclockwise rotation, slow to fast
3	Tilt All	128	128	Stop
		129	0255	Clockwise rotation, slow to fast
		000	0255	0–100%
		000	000	No function
4	Continuous Tilt All	001	0127	Counterclockwise rotation, slow to fast
		128	128	Stop
		129	0255	Clockwise rotation, slow to fast
		000	0255	Offset heads from each other, 0–360°
5	Tilt Offset	000	0047	No function
		048	0055	Tilt Macro 1
		056	0063	Tilt Macro 2
		064	0071	Tilt Macro 3
		072	0079	Tilt Macro 4
		080	0087	Tilt Macro 5
		088	0095	Tilt Macro 6
		096	0103	Tilt Macro 7
		104	0111	Tilt Macro 8
		112	0119	Tilt Macro 9
		120	0127	Tilt Macro 10
		128	0135	Tilt Macro 11
		136	0143	Tilt Macro 12
		144	0151	Tilt Macro 13
		152	0159	Tilt Macro 14
		160	0167	Tilt Macro 15
		168	0175	Tilt Macro 16
		176	0183	Tilt Macro 17
		184	0191	Tilt Macro 18
		192	0199	Tilt Macro 19
		200	0207	Tilt Macro 20
		208	0215	Tilt Macro 21
		216	0223	Tilt Macro 22
		224	0231	Tilt Macro 23
		232	0239	Tilt Macro 24
		240	0247	Tilt Macro 25
		248	0255	Tilt Macro 26
6	Tilt Macro			
7	Tilt Macro Speed	000	0255	Fast to slow
8	Dimmer	000	0255	0–100%

Basic Movement Mode (10-channel cont.)	Channel	Function	Value	Percent/Settings
	9	Shutter	000 019	Off
			020 024	On
			025 064	Strobe 1, fast to slow
			065 069	On
			070 084	Strobe 2 (Fast on, slow off), fast to slow
			085 089	On
			090 104	Strobe 3 (Slow on, fast off), fast to slow
			104 109	On
			110 124	Strobe 4 (Random), fast to slow
			125 129	On
			130 144	Strobe 5 (Random fast on, slow off), fast to slow
			145 149	On
			150 164	Strobe 6 (Random slow on, fast off), fast to slow
			165 169	On
			170 184	Strobe 7 (Pulse), fast to slow
			185 189	On
			190 204	Strobe 8 (Random pulse), fast to slow
			205 209	On
			210 224	Strobe 9 (Fade in, fade out), fast to slow
			225 229	On
230 244	Strobe 10 (Random pulse), fast to slow			
245 255	On			
	10	Control	000 009	No function
			010 014	Manual tilt blackout
			015 019	Cancel manual tilt blackout
			020 024	1 fixture macro
			025 029	2 fixture macro 1
			030 034	2 fixture macro 2
			035 039	4 fixture macro 1
			040 044	4 fixture macro 2
			045 049	4 fixture macro 3
			050 054	4 fixture macro 4
			055 059	Pan reset
			060 064	Tilt reset
			065 069	No function (reserved for future use)
			070 074	Reset all
			075 079	No function (reserved for future use)
			080 084	Pan/Tilt reverse
			085 089	Pan reverse
			090 094	Tilt reverse
			095 099	Cancel pan reverse
			100 104	Cancel tilt reverse
			105 109	Cancel pan/tilt reverse
			110 114	No function (reserved for future use)
			115 119	Link all heads to head 1
			120 124	Unlink all heads from head 1
			125 134	No function (reserved for future use)
135 139	Dimmer speed mode fast			
140 144	Dimmer speed mode smooth			
145 255	No function			

Dual Control Pixel Values

RGBW Mode (20-channel)	Channel	Function	Value	Percent/Settings
	1	Red 1	000○255	RGBW mode: 0–100% / CMY mode: 100%–0
	2	Green 1	000○255	RGBW mode: 0–100% / CMY mode: 100%–0
	3	Blue 1	000○255	RGBW mode: 0–100% / CMY mode: 100%–0
	4	White 1	000○255	RGBW mode: 0–100% / CMY mode: 100%–0
	5	Red 2	000○255	RGBW mode: 0–100% / CMY mode: 100%–0
	6	Green 2	000○255	RGBW mode: 0–100% / CMY mode: 100%–0
	7	Blue 2	000○255	RGBW mode: 0–100% / CMY mode: 100%–0
	8	White 2	000○255	RGBW mode: 0–100% / CMY mode: 100%–0
	9	Red 3	000○255	RGBW mode: 0–100% / CMY mode: 100%–0
	10	Green 3	000○255	RGBW mode: 0–100% / CMY mode: 100%–0
	11	Blue 3	000○255	RGBW mode: 0–100% / CMY mode: 100%–0
	12	White 3	000○255	RGBW mode: 0–100% / CMY mode: 100%–0
	13	Red 4	000○255	RGBW mode: 0–100% / CMY mode: 100%–0
	14	Green 4	000○255	RGBW mode: 0–100% / CMY mode: 100%–0
	15	Blue 4	000○255	RGBW mode: 0–100% / CMY mode: 100%–0
	16	White 4	000○255	RGBW mode: 0–100% / CMY mode: 100%–0
	17	Red 5	000○255	RGBW mode: 0–100% / CMY mode: 100%–0
	18	Green 5	000○255	RGBW mode: 0–100% / CMY mode: 100%–0
	19	Blue 5	000○255	RGBW mode: 0–100% / CMY mode: 100%–0
	20	White 5	000○255	RGBW mode: 0–100% / CMY mode: 100%–0

RGB Mode (15-channel)	Channel	Function	Value	Percent/Settings
	1	Red 1	000○255	RGBW mode: 0–100% / CMY mode: 100%–0
	2	Green 1	000○255	RGBW mode: 0–100% / CMY mode: 100%–0
	3	Blue 1	000○255	RGBW mode: 0–100% / CMY mode: 100%–0
	4	Red 2	000○255	RGBW mode: 0–100% / CMY mode: 100%–0
	5	Green 2	000○255	RGBW mode: 0–100% / CMY mode: 100%–0
	6	Blue 2	000○255	RGBW mode: 0–100% / CMY mode: 100%–0
	7	Red 3	000○255	RGBW mode: 0–100% / CMY mode: 100%–0
	8	Green 3	000○255	RGBW mode: 0–100% / CMY mode: 100%–0
	9	Blue 3	000○255	RGBW mode: 0–100% / CMY mode: 100%–0
	10	Red 4	000○255	RGBW mode: 0–100% / CMY mode: 100%–0
	11	Green 4	000○255	RGBW mode: 0–100% / CMY mode: 100%–0
	12	Blue 4	000○255	RGBW mode: 0–100% / CMY mode: 100%–0
	13	Red 5	000○255	RGBW mode: 0–100% / CMY mode: 100%–0
	14	Green 5	000○255	RGBW mode: 0–100% / CMY mode: 100%–0
	15	Blue 5	000○255	RGBW mode: 0–100% / CMY mode: 100%–0

Operating Settings Configuration

Home Screen

The Rogue R1 FX-B has a home screen that shows the current control protocols, personalities, starting addresses, IP addresses, and universes. To see the home screen, press **<MENU>** repeatedly until it shows on the display. From the home screen, touch any of the displayed control settings to immediately jump to that part of the menu, such as the personality, starting address, or universe, or press **<ENTER>** to reach the main menu.

Test Mode

Auto Test To perform an auto test of the Rogue R1 FX-B functions, follow the instructions below:

1. Press **<MENU>** repeatedly until the Home Screen shows on the display. Press **<ENTER>**.
2. Use **<UP>**, **<DOWN>**, **<LEFT>**, or **<RIGHT>** to select **Test Mode**, or touch the display where it says **Test Mode**.
3. If using the buttons instead of the touchscreen, press **<ENTER>**.
4. Use **<UP>** or **<DOWN>** to select **Auto test**, or touch the display where it says **Auto test**.
5. Press **<ENTER>**.

Manual Test To test the functions of the product manually, do the following:

1. Press **<MENU>** repeatedly until the Home Screen shows on the display. Press **<ENTER>**.
2. Use **<UP>**, **<DOWN>**, **<LEFT>**, or **<RIGHT>** to select **Test Mode**, or touch the display where it says **Test Mode**.
3. If using the buttons instead of the touchscreen, press **<ENTER>**.
4. Use **<UP>** or **<DOWN>** to select **Manual test**, or touch the display where it says **Manual test**.
5. If using the buttons instead of the touchscreen, press **<ENTER>**.
6. Use **<UP>** or **<DOWN>** to select the function to test, from **Pan, Pan Speed, Pan 360, Tilt 1, Tilt 2, Tilt 3, Tilt 4, Tilt 5, Tilt Speed, Tilt 1 360, Tilt 2 360, Tilt 3 360, Tilt 4 360, Tilt 5 360, Dimmer, Shutter, Red, Green, Blue, White, Color, LED Macro, or LED Macro Speed**, or touch the display where it says the desired function.
7. If using the buttons instead of the touchscreen, press **<ENTER>**.
8. Change the value of the tested function with one of the following methods:
 - Type the desired value using the number pad that shows on the touchscreen display.
 - or
 - Use **<UP>**, **<RIGHT>**, **<DOWN>**, or **<LEFT>** to increase or decrease the value.
9. Press **<ENTER>**.

Setup

To reach the **Setup** menu, follow the instructions below:

1. Press **<MENU>** repeatedly until the Home Screen shows on the display. Press **<ENTER>**.
2. Use **<UP>**, **<DOWN>**, **<LEFT>**, or **<RIGHT>** to select **Setup**, or touch the display where it says **Setup**.
3. If using the buttons instead of the touchscreen, press **<ENTER>**.

Network Settings

IP Mode The IP address of the Rogue R1 FX-B can be set manually, by the network, or to a pre-set static address specific to each product. To set the IP Mode, follow the instructions below:

1. Navigate to the **Setup** menu.
2. Use <UP> or <DOWN> to select **Network Settings**, or touch the display where it says **Network Settings**.
3. If using the buttons instead of the touchscreen, press <ENTER>.
4. Use <UP> or <DOWN> to select **IP Mode**, or touch the display where it says **IP Mode**.
5. If using the buttons instead of the touchscreen, press <ENTER>.
6. Use <UP>, <DOWN>, <LEFT>, or <RIGHT> to select from:
 - **Manual** (set the IP address with the control panel),
 - **DHCP** (the network sets the IP address),
 - or
 - **Static** (a pre-set address specific to each product),
 or touch the display where it says the desired mode.
7. Press <ENTER>.

IP Address In **Manual IP Mode**, the IP address must be assigned through the product menu. To set the IP address in **Manual IP Mode**, do the following:

1. Navigate to the **Setup** menu.
2. Use <UP> or <DOWN> to select **Network Settings**, or touch the display where it says **Network Settings**.
3. If using the buttons instead of the touchscreen, press <ENTER>.
4. Use <UP> or <DOWN> to select **IP**, or touch the display where it says **IP**.
5. If using the buttons instead of the touchscreen, press <ENTER>.
6. Set the IP address (from **000.000.000.000** to **255.255.255.255**) with one of the following methods:
 - Through the touchscreen:
 - a. Touch the display where it shows the byte (set of three numbers) to be changed.
 - b. Use the number pad on the display to enter the desired number.
 - c. Repeat until the IP address is set as desired.
 - With the buttons:
 - a. Use <LEFT> or <RIGHT> to select the byte (set of three numbers) to be changed).
 - b. Use <UP> or <DOWN> to increase or decrease the value.
 - c. Repeat until the IP address is set as desired.
7. Press <ENTER>.

Subnet Mask In **Manual IP Mode**, the Subnet Mask must be assigned through the product menu. To set the Subnet Mask in **Manual IP Mode**, do the following:

1. Navigate to the **Setup** menu.
2. Use <UP> or <DOWN> to select **Network Settings**, or touch the display where it says **Network Settings**.
3. If using the buttons instead of the touchscreen, press <ENTER>.
4. Use <UP> or <DOWN> to select **SubMask**, or touch the display where it says **SubMask**.
5. If using the buttons instead of the touchscreen, press <ENTER>.
6. Set the Subnet Mask (from **000.000.000.000** to **255.255.255.255**) with one of the following methods.
 - Through the touchscreen:
 - a. Touch the display where it shows the byte (set of three numbers) to be changed.
 - b. Use the number pad on the display to enter the desired number.
 - c. Repeat until the Subnet Mask is set as desired.
 - With the buttons:
 - a. Use <LEFT> or <RIGHT> to select the byte (set of three numbers) to be changed).
 - b. Use <UP> or <DOWN> to increase or decrease the value.
 - c. Repeat until the Subnet Mask is set as desired.
7. Press <ENTER>.



In DHCP or Static IP Mode, the IP and SubMask menu settings have no effect on the product.

- Pan/Tilt Orientation** To set whether the pan or tilt orientation is normal or inverted:"
1. Navigate to the **Setup** menu.
 2. Use **<UP>** or **<DOWN>** to select **Pan Reverse** or **Tilt Reverse**, or touch the display where it says the desired setting.
 3. If using the buttons instead of the touchscreen, press **<ENTER>**.
 4. Use **<UP>**, **<DOWN>**, **<LEFT>**, or **<RIGHT>** to select **NO** (normal orientation) or **YES** (inverted orientation), or touch the display where it says the desired option.
 5. Press **<ENTER>**.
- Display Orientation** To set which way the display faces, do the following:
1. Navigate to the **Setup** menu.
 2. Use **<UP>** or **<DOWN>** to select **Screen Reverse**, or touch the display where it says **Screen Reverse**.
 3. If using the buttons instead of the touchscreen, press **<ENTER>**.
 4. Use **<UP>**, **<DOWN>**, **<LEFT>**, or **<RIGHT>** to select **NO** (display is normal), **YES** (display is inverted), or **AUTO** (the display automatically detects which way the product is facing and orients itself accordingly), or touch the display where it says the desired option.
 5. Press **<ENTER>**.
- Pan/Tilt Angle Range** To set the range of motion the pan or tilt is permitted:
1. Navigate to the **Setup** menu.
 2. Use **<UP>** or **<DOWN>** to select **Pan Angle** or **Tilt Angle**, or touch the display where it says the desired setting.
 3. If using the buttons instead of the touchscreen, press **<ENTER>**.
 4. Use **<UP>**, **<DOWN>**, **<LEFT>**, or **<RIGHT>** to select **540** (540°), **360** or **270** (360° or 270° for pan or tilt respectively) or **180** (180°), or touch the display where it says the desired option.
 5. Press **<ENTER>**.
- Blackout on Pan/Tilt Movement** To set whether the product will black out during pan or tilt movement, follow the instructions below:
1. Navigate to the **Setup** menu.
 2. Use **<UP>** or **<DOWN>** to select **BL. O. P/T Move**, or touch the display where it says **BL. O. P/T Move**.
 3. If using the buttons instead of the touchscreen, press **<ENTER>**.
 4. Use **<UP>**, **<DOWN>**, **<LEFT>**, or **<RIGHT>** to select **NO** (do not black out) or **YES** (black out during movement), or touch the display where it says the desired option.
 5. Press **<ENTER>**.
- Touchscreen Calibration** If the touchscreen is not responding correctly, it may need to be calibrated. To do so:
1. Navigate to the **Setup** menu.
 2. Use **<UP>** or **<DOWN>** to select **Calibration**, or touch the display where it says **Calibration**.
 3. If using the buttons instead of the touchscreen, press **<ENTER>**.
 4. Use **<UP>**, **<DOWN>**, **<LEFT>**, or **<RIGHT>** to select **NO** (do not calibrate) or **YES** (calibrate), or touch the display where it says the desired option.
 5. Press **<ENTER>**.
 6. Follow the instructions, touching the points as they appear on the display.
- Touchscreen Lock** To lock or unlock the touchscreen control panel, do the following:
1. Navigate to the **Setup** menu.
 2. Use **<UP>** or **<DOWN>** to select **Touchscreen Lock**, or touch the display where it says **Touchscreen Lock**.
 3. If using the buttons instead of the touchscreen, press **<ENTER>**.
 4. Use **<UP>**, **<DOWN>**, **<LEFT>**, or **<RIGHT>** to select **NO** (display will respond to touch) or **YES** (display will not respond to touch), or touch the display where it says the desired option.
 5. Press **<ENTER>**.

Lock Screen To completely lock or unlock the control panel, follow the instructions below:

1. Navigate to the **Setup** menu.
2. Use **<UP>** or **<DOWN>** to select **Lock Screen**, or touch the display where it says **Lock Screen**.
3. If using the buttons instead of the touchscreen, press **<ENTER>**.
4. Use **<UP>**, **<DOWN>**, **<LEFT>**, or **<RIGHT>** to select **NO** (control panel will not lock) or **YES** (control panel will require a passcode to access), or touch the display where it says the desired option.
5. Press **<ENTER>**.

To access the control panel when it has been locked:

1. Press **<MENU>**.
2. Enter the passcode **0920** using one of the following methods:
 - Through the touchscreen: use the number pad on the screen to enter **0920**.
 - With the buttons:
 - a. Use **<DOWN>** to select the number to be changed.
 - b. Use **<UP>** to increase the value.
 - c. Repeat until **0920** has been entered.
3. Press **<ENTER>**.

Backlight Timer To set the amount of time after inactivity before the display backlight turns off:

1. Navigate to the **Setup** menu.
2. Use **<UP>** or **<DOWN>** to select **Backlight Timer**, or touch the display where it says **Backlight Timer**.
3. If using the buttons instead of the touchscreen, press **<ENTER>**.
4. Use **<UP>**, **<DOWN>**, **<LEFT>**, or **<RIGHT>** to select **30S** (after 30 seconds of inactivity), **1M** (after 1 minute of inactivity), **5M** (after 5 minutes of inactivity), or **ON** (does not turn off), or touch the display where it says the desired option.
5. Press **<ENTER>**.

Loss of Data In case of an input signal being lost in any way, the Rogue R1 FX-B will respond in one of two ways. The product will either hold the last signal received, or black out all LED output.

To set which way the product responds, follow the instructions below:

1. Navigate to the **Setup** menu.
2. Use **<UP>** or **<DOWN>** to select **Loss of Data**, or touch the display where it says **Loss of Data**.
3. If using the buttons instead of the touchscreen, press **<ENTER>**.
4. Use **<UP>**, **<DOWN>**, **<LEFT>**, or **<RIGHT>** to select **Hold** (hold last signal received) or **Close** (black out all LED output), or touch the display where it says the desired option.
5. Press **<ENTER>**.

Color Mixing Mode The Rogue R1 FX-B has an additive color mixing mode, and a subtractive color mixing mode. In the additive color mixing mode, a value of 000 on a color LED channel gives zero output, and a value of 255 on that channel gives full output. In the subtractive color mixing mode, a value of 000 on a color LED channel gives full output, and a value of 255 on that channel gives zero output.

To set the color mixing mode:

1. Navigate to the **Setup** menu.
2. Use **<UP>** or **<DOWN>** to select **C Mixing Mode**, or touch the display where it says **C Mixing Mode**.
3. If using the buttons instead of the touchscreen, press **<ENTER>**.
4. Use **<UP>**, **<DOWN>**, **<LEFT>**, or **<RIGHT>** to select **RGBW** (additive color mixing), or **CMY** (subtractive color mixing), or touch the display where it says the desired option.
5. Press **<ENTER>**.

Dimmer Curve To set the dimmer curve, follow the instructions below:

1. Navigate to the **Setup** menu.
2. Use **<UP>** or **<DOWN>** to select **Dimmer Curve**, or touch the display where it says **Dimmer Curve**.
3. If using the buttons instead of the touchscreen, press **<ENTER>**.
4. Use **<UP>**, **<DOWN>**, **<LEFT>**, or **<RIGHT>** to select **Linear**, **Square**, **I Squa**, or **SCurve**, or touch the display where it says the desired option.
5. Press **<ENTER>**.

- Dimmer Speed** To set the dimmer speed, do the following:
1. Navigate to the **Setup** menu.
 2. Use **<UP>** or **<DOWN>** to select **Dimmer Speed**, or touch the display where it says **Dimmer Speed**.
 3. If using the buttons instead of the touchscreen, press **<ENTER>**.
 4. Use **<UP>**, **<DOWN>**, **<LEFT>**, or **<RIGHT>** to select **Smooth** or **Fast**, or touch the display where it says the desired option.
 5. Press **<ENTER>**.
- PWM Option** To set the PWM frequency, do the following:
1. Navigate to the **Setup** menu.
 2. Use **<UP>** or **<DOWN>** to select **PWM Option**, or touch the display where it says **PWM Option**.
 3. If using the buttons instead of the touchscreen, press **<ENTER>**.
 4. Use **<UP>**, **<DOWN>**, **<LEFT>**, or **<RIGHT>** to select **600Hz**, **1200Hz**, **2000Hz**, **4000Hz**, **6000Hz**, or **25000Hz**, or touch the display where it says the desired option.
 5. Press **<ENTER>**.
- Color Balance** To set the maximum values of a given color in the mix, follow the instructions below:
1. Navigate to the **Setup** menu.
 2. Use **<UP>** or **<DOWN>** to select **Color Balance**, or touch the display where it says **Color Balance**.
 3. If using the buttons instead of the touchscreen, press **<ENTER>**.
 4. Use **<UP>** or **<DOWN>**, to select the color value to be changed, from **Red**, **Green**, **Blue**, or **White**, or touch the display where it says the desired option.
 5. If using the buttons instead of the touchscreen, press **<ENTER>**.
 6. Set the color value with one of the following methods:
 - Type the desired value using the number pad that shows on the touchscreen display.
 - or
 - Use **<UP>**, **<RIGHT>**, **<DOWN>**, or **<LEFT>** to increase or decrease the value.
 7. Press **<ENTER>**.
 8. Repeat steps 4–7 until color balance is set as desired.
- Preset Select** This option saves 3 different preset menu option configurations. To record and set these presets follow the instructions below:
1. Navigate to the **Setup** menu.
 2. Use **<UP>** or **<DOWN>** to select **Preset Select**, or touch the display where it says **Preset Select**.
 3. If using the buttons instead of the touchscreen, press **<ENTER>**.
 4. Use **<UP>**, **<DOWN>**, **<LEFT>**, or **<RIGHT>** to select **PRESET A**, **PRESET B** or **PRESET C**, or touch the display where it says the desired option.
 5. Press **<ENTER>**.
 6. The product will reset. Any changes made to the menu options will be saved to this preset.
 - **Default is PRESET A. If you make changes inside PRESET A, those changes are saved to PRESET A without having to do anything.**
 - **To create a new preset, highlight and select PRESET SELECT. Highlight PRESET B or PRESET C and press <ENTER>. When you make that selection, the product will reset automatically. Go back and make the changes you need to make in the menu. This will automatically save to the preset you are in.**



Preset Sync To sync all menu presets to other Rogue R1 FX-Bs, follow the instructions below:

1. Connect all Rogue R1 FX-B via DMX cable.
 2. Navigate to the **Setup** menu.
 3. Use **<UP>** or **<DOWN>** to select **Preset Sync**, or touch the display where it says **Preset Sync**
 4. If using the buttons instead of the touchscreen, press **<ENTER >**.
 5. Select **YES** or touch the display where it says the desired option.
 6. Press **<ENTER >**.
- **To sync other Rogue R1 FX-Bs, you connect those products by a DMX cable.**
 - **The product can be in any control mode except WDMX. ArtNet, DMX, sACN are all acceptable.**
 - **All menu options are transferred, including the DMX address. Only the IP address in not affected in the other products.**



Reset Functions To reset the pan, tilt, or all functions as if from startup:

1. Navigate to the **Setup** menu.
2. Use **<UP>** or **<DOWN>** to select **Reset Function**, or touch the display where it says **Reset Function**.
3. If using the buttons instead of the touchscreen, press **<ENTER>**.
4. Use **<UP>** or **<DOWN>** to select the function to reset, from **Pan**, **Tilt**, or **All**, or touch the display where it says the desired option.
5. If using the buttons instead of the touchscreen, press **<ENTER>**.
6. Use **<UP>**, **<DOWN>**, **<LEFT>**, or **<RIGHT>** to select from **NO** (do not reset) or **YES** (reset), or touch the display where it says the desired option.
7. Press **<ENTER>**.

Factory Reset To restore the Rogue R1 FX-B to factory default settings, do the following:

1. Navigate to the **Setup** menu.
2. Use **<UP>** or **<DOWN>** to select **Factory Settings**, or touch the display where it says **Factory Settings**.
3. If using the buttons instead of the touchscreen, press **<ENTER>**.
4. Use **<UP>**, **<DOWN>**, **<LEFT>**, or **<RIGHT>** to select **NO** (do not reset) or **YES** (reset to factory settings), or touch the display where it says the desired option.
5. Press **<ENTER>**.

System Information

All information about the current status of the Rogue R1 FX-B is available through the product's **Sys Info** menu. To view this information, follow the instructions below:

1. Press **<MENU>** repeatedly until the **Home Screen** shows on the display. Press **<ENTER>**.
2. Use **<UP>**, **<DOWN>**, **<LEFT>**, or **<RIGHT>** to select **Sys Info**, or touch the display where it says **Sys Info**.
3. If using the buttons instead of the touchscreen, press **<ENTER>**.
4. Use **<UP>** or **<DOWN>** to select from **Fixture Information** (shows firmware version, running mode, starting address, etc.), **Error Information** (shows any errors or No Error!), or **Channel Information** (shows the current value of all signal input channels) or touch the display where it says the desired option.
5. Press **<ENTER>**.
6. Use **<UP>** or **<DOWN>** to scroll through the information.

Offset Mode The Offset mode provides fine adjustments for the home position of all the moving parts in the optical path as well as the pan and tilt movements. This way, when in their home position, the moving parts do not show any border or reduce the light output.

1. Starting from the Main Level screen, press and hold **<MENU>** until the passcode screen appears.
2. Enter the passcode **2323** using one of the following methods:
 - Through the touchscreen: use the number pad on the screen to enter **2323**.
 - With the buttons:
 - a. Use **<DOWN>** to select the number to be changed.
 - b. Use **<UP>** to increase the value.
 - c. Repeat until **2323** has been entered.
3. Press **<ENTER>**.

This brings you into the Zero Adjust menu screen.

PAN To adjust the starting point of the pan motor, follow the instructions below:

1. Use **<UP>** or **<DOWN>** to select **PAN**.
2. Press **<ENTER>**.
3. Use **<UP>** or **<DOWN>** to increase or decrease the starting value, from **000–255**.
4. Press **<ENTER>**.

TILT To adjust the starting point of any of the tilt motors, do the following:

1. Use **<UP>** or **<DOWN>** to select **TILT1**, **TILT2**, **TILT3**, **TILT4**, or **TILT5**.
2. Press **<ENTER>**.
3. Use **<UP>** or **<DOWN>** to increase or decrease the starting value, from **000–255**.
4. Press **<ENTER>**.

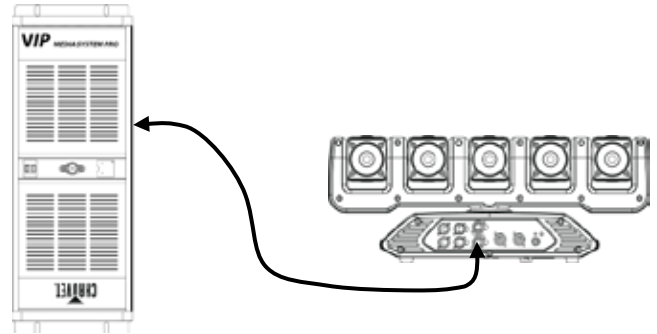
MAC Address To assign the fourth, fifth, or sixth digit of the MAC address, follow the instructions below:

1. Use **<UP>** or **<DOWN>** to select **MAC4**, **MAC5**, or **MAC6**.
2. Press **<ENTER>**.
3. Use **<UP>** or **<DOWN>** to increase or decrease the value, from **000–255**.
4. Press **<ENTER>**.

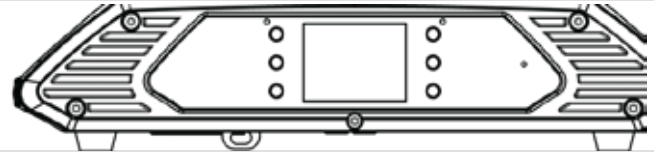
5. FIRMWARE UPDATE

The following steps apply to the Windows® 7 operating system:

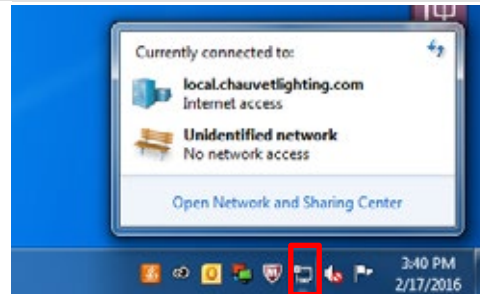
- Step 1**
1. Connect the Rogue R1 FX-B to a computer with an ethernet cable.
 2. Verify the network with the Rogue R1 FX-B is connected to the computer.



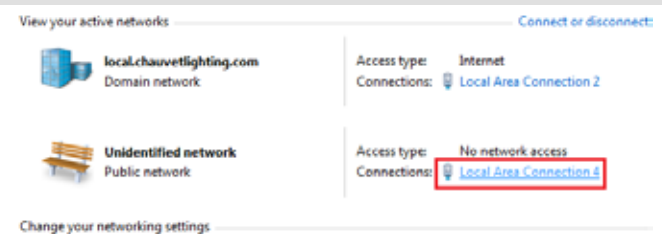
- Step 2**
1. Set the control protocol on the Rogue R1 FX-B to **ArtNet** in **Single Control** mode. (See [Single Control Protocol](#))
 2. Set the **IP Mode** to **Static**. (See [IP Mode](#))



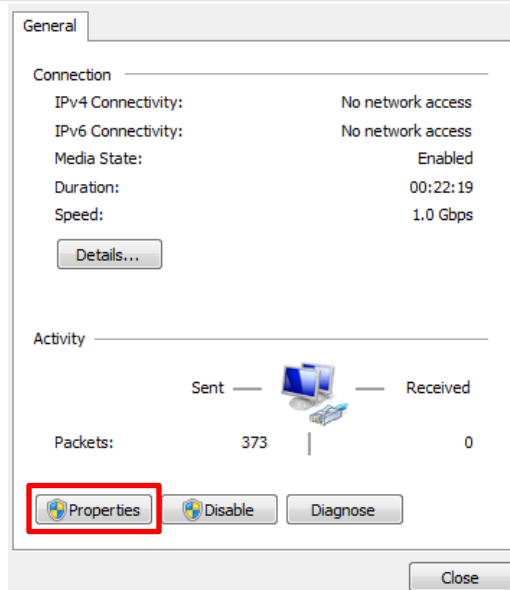
- Step 3**
- On the computer, open the Network and Sharing Center (through the Start Menu, the Control Panel, or the Network icon on the right side of the Taskbar).



- Step 4**
- Select the network which the product is connected to by clicking the blue text that corresponds to that network on the right side of the window.

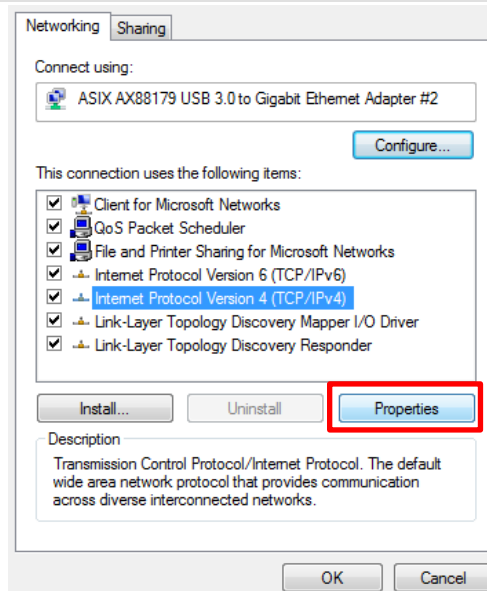


Step 5 Click **Properties** on the **Status** window that pops up.



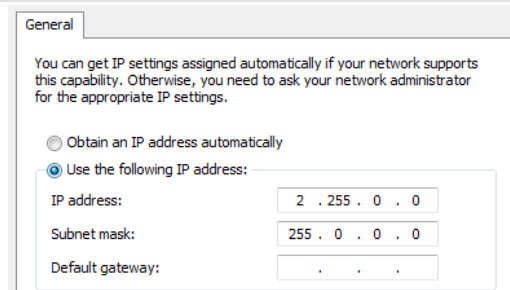
Step 6 On the **Properties** window:

1. Click on **Internet Protocol Version 4 (TCP/IPv4)** to select it.
2. Click **Properties**.

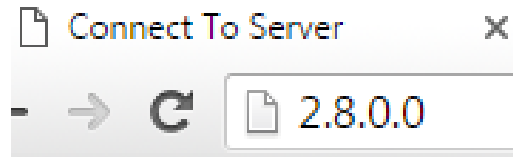


Step 7 On the **TCP/IPv4 Properties** window:

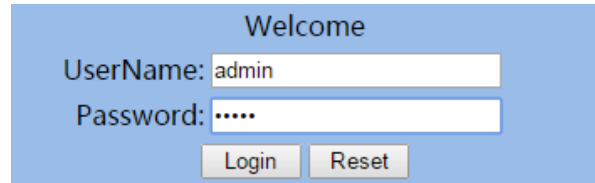
1. Select **Use the following IP address**:
2. Type **2.255.0.0** into the **IP address** bar.
3. Press **<Tab>** on your keyboard. The **Subnet mask** bar should automatically populate as **255.0.0.0**. If not, then enter it manually.
4. Ignore the **Default gateway** bar.



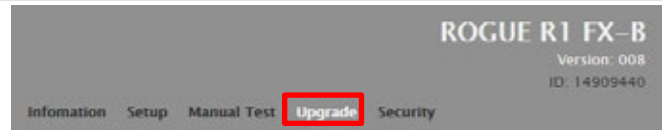
- Step 8**
1. View the Home Screen on the Rogue R1 FX-B. (see [Home Screen](#))
 2. Open the internet browser on the computer.
 3. Enter the IP address from the Rogue R1 FX-B display into the URL bar of the internet browser. (For example, if the display of the product reads **2.8.0.0**, enter **2.8.0.0** into the URL bar of the internet browser.)



- Step 9** On the **Welcome** screen:
1. Enter **admin** as both the **User Name** and **Password**. No capital letters.
 2. Press **Log In** on the screen, or **<Enter>** on the keyboard.
- If the user name and password do not work, reset the product to factory defaults. (see [Factory Reset](#))



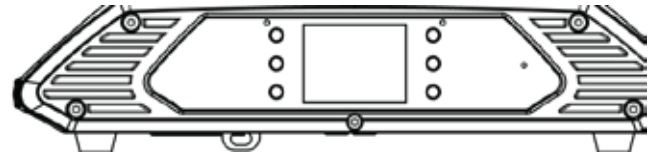
- Step 10** On the page that appears, click **Upgrade**.



- Step 11**
1. Click **Choose File** on the Rogue R1 FX-B Upgrade page.
 2. In the File Explorer window that pops up, select the Firmware Upgrade file from the website and click **Open**.
 3. Click **Upload File**.
- A **Downloading** message will appear on the product's display. Once the product finishes installing the firmware, it will reset.
Do NOT turn the product off during this process.



- Step 12** On the Rogue R1 FX-B:
1. Verify the firmware has been updated by navigating to **Sys Info** ([System Information](#)) and checking that the version number matches the name of the file on the computer.



- Step 13** Disconnect the Rogue R1 FX-B from the computer. The firmware update is complete.



The examples shown are for illustrative purposes.

6. TECHNICAL INFORMATION

Product Maintenance

To maintain optimum performance and minimize wear, you should clean this product frequently. Usage and environment are contributing factors in determining the cleaning frequency.

As a rule, clean this product at least twice a month. Dust build-up reduces light output performance and can cause overheating. This can lead to reduced light source life and increased mechanical wear.

To clean your product:

1. Unplug the product from power.
2. Wait until the product is at room temperature.
3. Use a vacuum (or dry compressed air) and a soft brush to remove dust collected on the external vents.
4. Clean all external surfaces with a mild solution of non-ammonia glass cleaner or isopropyl alcohol.
5. Apply the solution directly to a soft, lint-free cotton cloth or a lens cleaning tissue.
6. Wipe any dirt or grime to the outside edges of the lens surface.
7. Gently polish the lens surfaces until they are free of haze and lint.



Always dry the external surfaces thoroughly and carefully after cleaning them.



Do not spin the cooling fans by blowing compressed air into them.

7. TECHNICAL SPECIFICATIONS

Dimensions and Weight	Length	Width	Height	Weight
	25.19 in (640 mm)	7.05 in (179 mm)	9.72 in (247 mm)	24.2 lb (11 kg)
Note: Dimensions in inches rounded to the nearest decimal digit.				
Electrical	Power Supply Type	Range		Voltage Selection
	Switching (internal)	100–240 VAC, 50/60 Hz		Auto-ranging
	Parameter	120 VAC, 60 Hz	208 VAC, 60 Hz	230 VAC, 50 Hz
	Consumption	207 W	200 W	197 W
	Current	1.68 A	0.938 A	0.876 A
	Power linking current (products)	13.6 A (8 products)	13.6 A (14 products)	13.6 A (15 products)
	Fuse/Breaker	F 3 A, 250 V	F 3 A, 250 V	F 3 A, 250 V
	Power I/O	U.S./Canada		Worldwide
	Power input connector	Neutrik® powerCON® A		Neutrik® powerCON® A
	Power output connector	Neutrik® powerCON® B		Neutrik® powerCON® B
Power cord plug	Edison (U.S.)		Local plug	
Light Source	Type	Power		Lifespan
	LED	15 W		50,000 hours
	Color	Quantity		Current
Photo Optic	Quad-color RGBW	5		4 A
	Parameter	Value		
	Installed Optics	5°		
	Beam Angle	7°		
	Field Angle	11°		
DMX	I/O Connector	Channel Range		
	3- and 5-pin XLR	9, 15, 17, 18, 20, 23, 25, or 47		
Art-Net™	I/O Connector	Channel Range		
	Neutrik® etherCON®	9, 15, 17, 18, 20, 23, 25, or 47		
ArKaos Kling-Net	I/O Connector	Channel Range		
	Neutrik® etherCON®	Determined per ArKaos MediaMaster software		
Thermal	Max. External Temperature	Cooling System		
	113 °F (45 °C)	Fan-Assisted Convection		
Ordering	Product Name	Item Name	Item Code	UPC Number
	Rogue R1 FX-B	ROGUER1FXB	08011203	781462215514

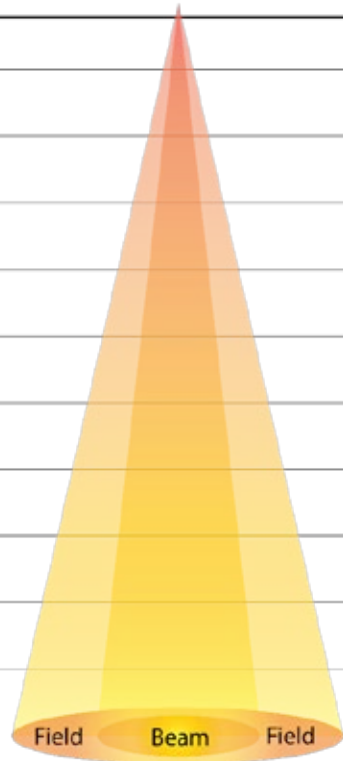


UL 1573
CSA C22.2 No. 166
E113093

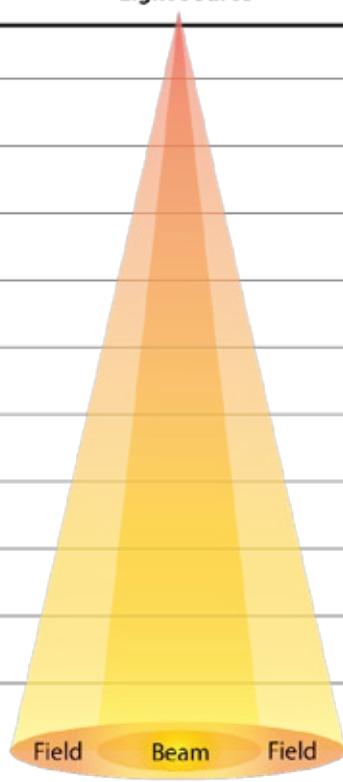


Photometrics Chart

Distance	Light Source		Footcandle
	Beam Diameter	Field Diameter	
15 ft	1.31 ft	1.83 ft	596
20 ft	1.75 ft	2.45 ft	335
30 ft	2.62 ft	3.67 ft	149
40 ft	3.49 ft	4.89 ft	84
50 ft	4.37 ft	6.12 ft	54
75 ft	6.55 ft	9.17 ft	24
100 ft	8.73 ft	12.23 ft	13
125 ft	10.92 ft	15.29 ft	9
150 ft	13.10 ft	18.35 ft	6



Distance	Light Source		Lux
	Beam Diameter	Field Diameter	
1 m	0.09 m	0.12 m	134,025
2 m	0.17 m	0.24 m	33,506
5 m	0.44 m	0.61 m	5,361
8 m	0.70 m	0.98 m	2,094
10 m	0.87 m	1.22 m	1,340
15 m	1.31 m	1.83 m	596
20 m	1.75 m	2.45 m	335
25 m	2.18 m	3.06 m	214
30 m	2.62 m	3.67 m	149



RETURNS

In case you need to get support or return a product:

- If you are located in the U.S., contact Chauvet World Headquarters.
- If you are located in the UK or Ireland, contact Chauvet Europe Ltd.
- If you are located in Mexico, contact Chauvet Mexico.
- If you are located in Benelux, contact Chauvet Europe BVBA.

If you are located in any other country, DO NOT contact Chauvet. Instead, contact your local distributor. See www.chauvetprofessional.com for distributors outside the U.S., UK, Ireland, Mexico, or Benelux.



If you are located outside the U.S., UK, Ireland, Mexico, or Benelux, contact your distributor of record and follow their instructions on how to return Chauvet products to them. Visit our website www.chauvetprofessional.com for contact details.

Call the corresponding Chauvet Technical Support office and request a Return Merchandise Authorization (RMA) number before shipping the product. Be prepared to provide the model number, serial number, and a brief description of the cause for the return.

Send the merchandise prepaid, in its original box, and with its original packing and accessories. Chauvet will not issue call tags.

Clearly label the package with the RMA number. Chauvet will refuse any product returned without an RMA number.



Write the RMA number on a properly affixed label. DO NOT write the RMA number directly on the box.

Before sending the product, clearly write the following information on a piece of paper and place it inside the box:

- Your name
- Your address
- Your phone number
- RMA number
- A brief description of the problem

Be sure to pack the product properly. Any shipping damage resulting from inadequate packaging will be your responsibility. FedEx packing or double-boxing are recommended.



Chauvet reserves the right to use its own discretion to repair or replace returned product(s).

CONTACT Us

USA WORLD HEADQUARTERS

General Information – Chauvet

Address: 5200 NW 108th Avenue
Sunrise, FL 33351

Voice: (954) 577-4455

Fax: (954) 929-5560

Toll free: (800) 762-1084

Technical Support

Voice: (844) 393-7575

Fax: (954) 756-8015

Email: chauvetcs@chauvetlighting.com

World Wide Web www.chauvetlighting.com

EUROPE

General Information - Chauvet Europe BVBA

Address: Stokstraat 18
9770 Kruishoutem
Belgium

Voice: +32 9 388 93 97

Technical Support

Email: Eutech@chauvetlighting.eu

World Wide Web www.chauvetlighting.eu

General Information - Chauvet Europe Ltd.

Address: Unit 1C
Brookhill Road Industrial Estate
Pinxton, Nottingham, UK
NG16 6NT

Voice: +44 (0)1773 511115

Fax: +44 (0)1773 511110

Technical Support

Email: uktech@chauvetlighting.com

World Wide Web
www.chauvetlighting.co.uk

MEXICO

General Information - Chauvet Mexico

Address: Av. de las Partidas 34 - 3B
Zona Industrial Lerma
Lerma, Edo. de México, CP 52000

Voice: +52 (728) 285-5000

Technical Support

Email: servicio@chauvet.com.mx

World Wide Web www.chauvet.com.mx

Visit the applicable website above to verify our contact information and instructions to request support. Outside the U.S., United Kingdom, Ireland, Mexico or Benelux, contact the dealer of record.