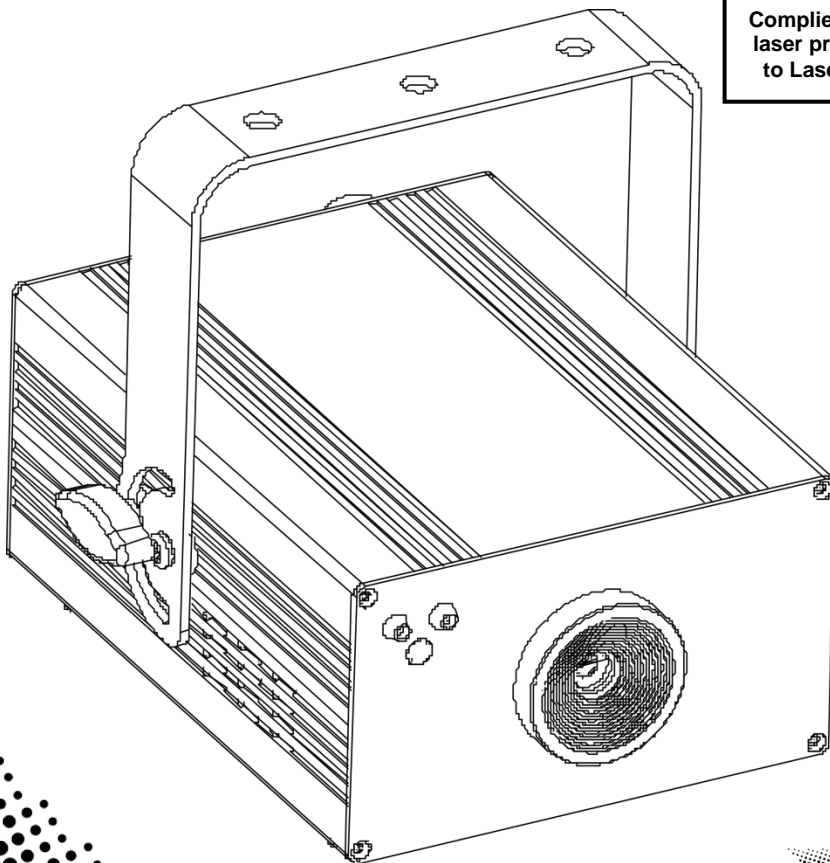




## User Manual



**LASER LIGHT**  
**AVOID DIRECT EYE EXPOSURE**  
**CLASS 3R LASER PRODUCT**  
**CLASSIFIED PER EN/IEC 60825-1:2007**  
Complies with FDA performance standards for laser products except for deviations pursuant to Laser Notice No. 50, dated June 24, 2007.



---

# TABLE OF CONTENTS

<b>1. Before You Begin</b> .....	<b>5</b>
What Is Included.....	5
Unpacking Instructions .....	5
Claims .....	5
Manual Conventions.....	5
Symbols.....	5
Disclaimer.....	5
Safety Notes.....	6
Non-Interlocked Housing Warning.....	7
Laser Safety Notes.....	7
Laser Safety Label Reproduction .....	8
Laser Exposure Warning.....	9
Laser Emission Data .....	9
<b>2. Introduction</b> .....	<b>10</b>
Overview.....	10
Dimensions.....	11
<b>3. Setup</b> .....	<b>12</b>
AC Power .....	12
Fuse Replacement .....	12
Power Linking.....	13
Mounting.....	14
Orientation .....	14
Rigging .....	14
Proper Usage .....	15
<b>4. Operation</b> .....	<b>16</b>
Control Panel Operation.....	16
Menu Map.....	16
Configuration (DMX).....	16
Starting Address.....	16
DMX Channel Modes, Assignments, and Values .....	17
7-Channel.....	17
Configuration (Standalone) .....	18
Sound Mode.....	18
Sound Sensitivity .....	18
Auto Modes .....	18
Master/Slave Mode.....	18
Remote Control .....	19
<b>5. Technical Information</b> .....	<b>20</b>
Product Maintenance .....	20
<b>6. Technical Specifications</b> .....	<b>21</b>
<b>Returns</b> .....	<b>22</b>
<b>Contact Us</b> .....	<b>23</b>

<b>1. Antes de Empezar .....</b>	<b>24</b>
Qué va Incluido.....	24
Instrucciones de Desembalaje .....	24
Reclamaciones.....	24
Convenciones del Manual .....	24
Símbolos.....	24
Exención de Responsabilidad .....	24
Notas de Seguridad.....	25
Advertencia sobre Carcasa no Cerrada .....	26
Notas de Seguridad sobre Láser.....	26
Reproducción de la Etiqueta de Seguridad del Láser.....	28
Advertencia sobre Exposición al Láser.....	29
Datos de Emisión Láser .....	29
Declaración de Conformidad Láser .....	29
<b>2. Introducción .....</b>	<b>30</b>
Vista General.....	30
Dimensiones.....	31
<b>3. Instalación .....</b>	<b>32</b>
Corriente Alterna .....	32
Sustitución del Fusible.....	32
Alimentación en Cadena .....	33
Montaje.....	34
Orientación .....	34
Rigging .....	34
Uso Adecuado.....	35
<b>4. Funcionamiento.....</b>	<b>36</b>
Manejo del Panel de Control.....	36
Mapa de Menú.....	36
Configuración (DMX).....	36
Dirección de Inicio .....	36
Modos de Canal, Asignaciones y Valores DMX.....	37
7-Canales .....	37
Configuración (Independiente).....	38
Modo Sonido .....	38
Sensibilidad al Sonido .....	38
Modo Automático.....	38
Modo Maestro/Esclavo .....	38
Control Remoto .....	39
<b>5. Información Técnica .....</b>	<b>40</b>
Mantenimiento del Producto.....	40
<b>6. Especificaciones Técnicas .....</b>	<b>41</b>
<b>Devoluciones.....</b>	<b>42</b>
<b>Contacto .....</b>	<b>43</b>

<b>1. Avant de Commencer .....</b>	<b>44</b>
Ce Qui est Compris .....	44
Instructions Relatives au Déballage .....	44
Réclamations.....	44
Conventions de ce Manuel.....	44
Symboles.....	44
Clause de Non-Responsabilité.....	44
Consignes de Sécurité .....	45
Avertissement : Boîtier non Verrouillable.....	46
Consignes de Sécurité Relatives au Laser.....	46
Reproductions des Etiquettes en Matière de Sécurité des Appareils Laser .....	48
Avertissement d'Exposition au Laser.....	49
Données d'Emission Laser.....	49
Déclaration de Conformité du Laser.....	49
<b>2. Introduction .....</b>	<b>50</b>
Aperçu .....	50
Dimensions.....	51
<b>3. Configuration.....</b>	<b>52</b>
Alimentation CA.....	52
Remplacement du Fusible.....	52
Connexion Électrique .....	53
Installation .....	54
Orientation.....	54
Suspension.....	54
Utilisation Adéquate.....	55
<b>4. Fonctionnement .....</b>	<b>56</b>
Fonctionnement du Panneau de Commande .....	56
Tableau du Menu .....	56
Configuration (DMX).....	56
Adresse de Départ.....	56
Valeurs, Assignations et Modes de Canaux DMX .....	57
7 Canaux .....	57
Configuration (Autonome) .....	58
Mode Musical .....	58
Sensibilité au Son.....	58
Modes Auto .....	58
Mode Maître/Esclave.....	59
Télécommande.....	60
<b>5. Informations Techniques.....</b>	<b>61</b>
Entretien de l'Appareil .....	61
<b>6. Spécificités Techniques.....</b>	<b>62</b>
<b>Renvois .....</b>	<b>63</b>
<b>Nous contacter .....</b>	<b>64</b>

# 1. BEFORE YOU BEGIN

## What Is Included

- Scorpion™ Storm FX RGB
- Power Cord
- IR Remote
- Warranty Card
- User Manual

## Unpacking Instructions

Carefully unpack the product immediately and check the box to make sure all the parts are in the package and are in good condition.

## Claims




If the box or the contents (the product and included accessories) appear damaged from shipping or show signs of mishandling, notify the carrier immediately, not Chauvet. Failure to do so in a timely manner may invalidate your claim with the carrier. In addition, keep the container and all the packing material for inspection.

For other issues, such as missing components or parts, damage not related to shipping, or concealed damage, file a claim with Chauvet within 7 days of delivery.

## Manual Conventions

Convention	Meaning
1—512	A range of values
50/60	A set of values of which only one can be chosen
<b>Settings</b>	A menu option not to be modified
<b>Menu &gt; Settings</b>	A sequence of menu options to be followed
<b>&lt;ENTER&gt;</b>	A key to be pressed on the product's control panel
<b>ON</b>	A value to be entered or selected

## Symbols

Symbol	Meaning
	Critical installation, configuration, or operation information. Ignoring this information can cause the product to not work, damage it, or cause harm to the operator.
	Important installation or configuration information. The product may not function correctly if this information is not used.
	Useful information.

## Disclaimer

The information and specifications contained in this document are subject to change without notice. Chauvet assumes no responsibility or liability for any errors or omissions that may appear in this manual, and reserves the right to revise or recreate this manual at any time. Download the latest version from [www.chauvetlighting.com](http://www.chauvetlighting.com).

© Copyright 2015 Chauvet. All rights reserved.

Printed in P.R.C.

Electronically published by Chauvet in the United States of America.

Author	Date	Editor	Date
R. Isenstadt	02/27/15	D. Coupe	04/29/15

---

## Safety Notes

The Safety Notes include important laser system safety information. Read and understand all instructions before powering on the laser for the first time. Knowing these safety instructions is crucial to avoiding laser eye injury and breaking the law. Keep this User Manual in a safe place for future reference.



### STOP AND READ ALL LASER SAFETY DATA



- **Lasers can be hazardous and have unique safety considerations. Permanent eye injury and blindness is possible if lasers are used incorrectly. Pay close attention to each safety REMARK and WARNING statement in this User Manual. Read all instructions carefully BEFORE operating this device.**
- Always connect the product to a grounded circuit to avoid the risk of electrocution.
- Always disconnect the product from the power source before cleaning or replacing the fuse.
- Avoid direct eye exposure to the light source while the product is on.
- Make sure the power cord is not crimped or damaged.
- Never disconnect the product from power by pulling or tugging on the cord.
- If mounting the product overhead, always secure to a fastening device using a safety cable.
- Make sure there are no flammable materials close to the product when operating.
- Do not touch the product's housing when operating because it may be very hot.



- **This product is not intended for permanent installation.**
- Always make sure that the voltage of the outlet to which you are connecting the product is within the range stated on the decal or rear panel of the product.
- The product is for indoor use only! (IP20) To prevent risk of fire or shock, do not expose the product to rain or moisture.
- Always install the product in a location with adequate ventilation, at least 20 in (50 cm) from adjacent surfaces.
- Be sure that no ventilation slots on the product's housing are blocked.
- Never connect the product to a dimmer.
- Make sure to replace the fuse with another of the same type and rating.
- Always use the mounting bracket to carry the product.
- Do not switch the product on/off in short intervals. This will reduce the laser diode life.
- Do not shake this product. Avoid brute force when mounting or operating this product.
- ALWAYS use a safety cable when mounting the product overhead.
- The ambient operating temperature for the laser is 59 °F to 95 °F (15 °C to 35 °C). Do not operate this product outside this range.
- In the event of a serious operating problem, stop using the product immediately.
- Never try to repair the product. Repairs carried out by unskilled people can lead to damage or malfunction. Contact the nearest authorized technical assistance center.
- To eliminate wear and improve its lifespan, during periods of non-use completely disconnect from power via breaker or by unplugging it.



- Avoid direct eye contact with laser light. Never intentionally expose your eyes or others to direct laser light.
- This laser product can potentially cause instant eye injury or blindness if laser light directly strikes the eyes.
- It is illegal and dangerous to shine this laser into audience areas, where the audience or other personnel could get direct laser beams or bright reflections into their eyes.
- It is a U.S. federal offense to shine any laser at aircraft.
- Use of controls, adjustments, or procedures other than those specified in this User Manual may result in hazardous radiation exposure.
- DO NOT attempt any repairs. Repairs and servicing must be carried out by a certified technician. **Unauthorized modifications are forbidden for safety reasons!**



- Keep this User Manual for future consultation. If transferring ownership of the product to another user, be sure this document is kept with the laser.

## Non-Interlocked Housing Warning

- This unit contains high power laser devices internally.
- Do not open the laser housing, due to potential exposure to unsafe levels of laser radiation.
- The laser power levels, accessible if the unit is opened, can cause instant blindness, skin burns, and fires.

## Laser Safety Notes

 **STOP AND READ ALL THE LASER SAFETY NOTES BELOW** 

Laser light is different from any other light sources. The light from this product can potentially cause eye injury if the product is not set up and used properly. Laser light is thousands of times more concentrated than light from any other kind of light source. This concentration of light can cause instant eye injuries, primarily by burning the retina (the light-sensitive portion at the back of the eye). Even if you cannot feel “heat” from a laser beam, it can still potentially injure or blind you or your audience. Even very small amounts of laser light are potentially hazardous—even at long distances. Laser eye injuries can happen faster than you can blink.

**DO NOT** assume that because laser entertainment products split the laser into hundreds of beams and that the laser beam is scanned out in high speed, that an individual laser beam is safe for eye exposure. This laser product uses dozens of milliwatts of laser power (Class 3B levels internally) before it splits into multiple beams (Class 3R levels). Many of the individual beams are potentially hazardous to the eyes.

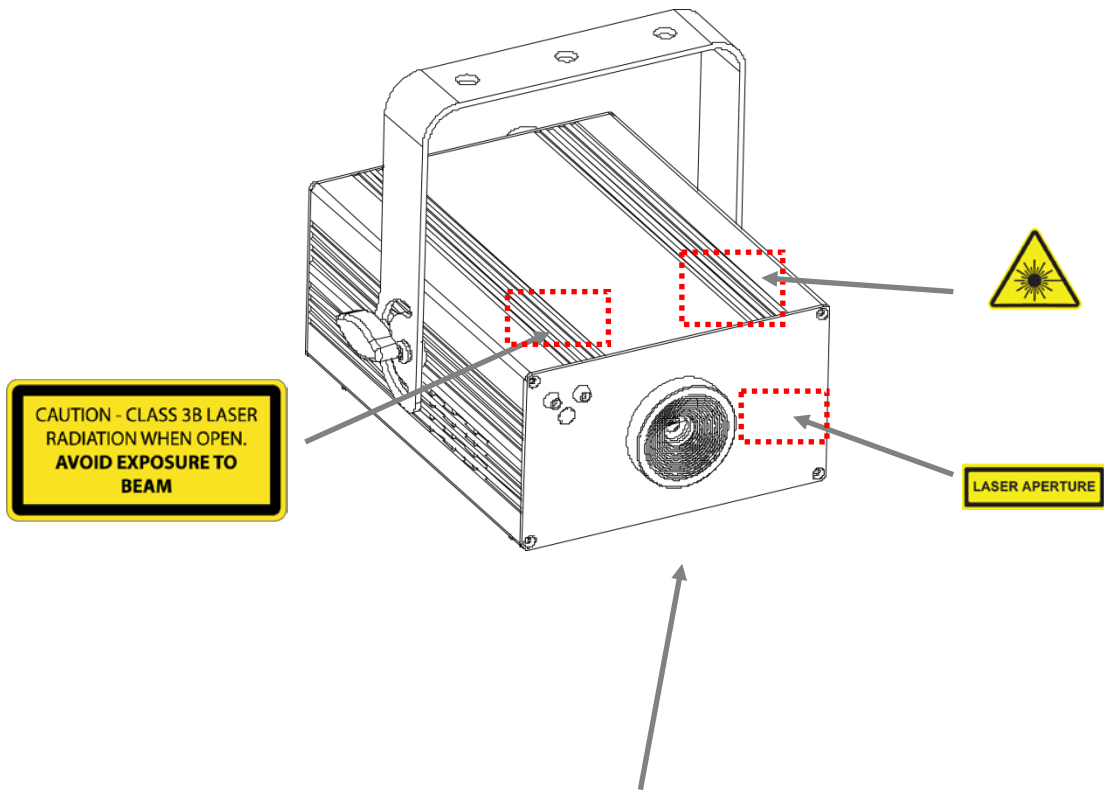
**DO NOT** assume that because the laser light is moving, it is safe. Laser light is never without risk, nor do the laser beams always move. Since eye injuries can occur instantly, it is critical to prevent the possibility of ANY direct eye exposure. According to laser safety regulations, it is not legal to aim Class 3R lasers into areas where people can get exposed. This is true even if the laser is aimed below people’s faces, such as on a dance floor.





- Do not operate the laser without first reading and understanding all safety and technical data in this manual.
- **ALWAYS** set up and install all laser effects so that all laser light is at least 3 meters (9.8 feet) above the floor on which people can stand. See the [Proper Usage](#) section of this manual.
- After setup, and prior to public use, test laser to ensure proper function. Do not use if any defect is detected.
- **DO NOT** use laser if the laser appears to be emitting only one or two beams, rather than dozens/hundreds, as this could indicate damage to the diffraction grating optic, and could allow emission of laser levels higher than Class 3R.
- **DO NOT** point lasers at people or animals.
- Never look into the laser aperture or laser beams.
- **DO NOT** point lasers into areas in which people can potentially get exposed, such as uncontrolled balconies, etc.
- **DO NOT** point lasers at highly reflective surfaces such as windows, mirrors, and shiny metal. Even laser reflections can be hazardous.
- Never point a laser at aircraft; this is a U.S. federal offense.
- Never point un-terminated laser beams into the sky.
- Do not expose the output optic (aperture) to harsh cleaning chemicals.
- Do not use the laser if the housing is damaged, open, or if the optics appear damaged in any way.
- Never open the laser housing. The high laser power levels inside of the protective housing can start fires or burn skin, and will cause instant eye injury.
- Never leave this product running unattended.
- The operation of a Class 3R laser show is only allowed if the show is controlled by a skilled and well-trained operator, familiar with the data included in this manual.
- The legal requirements for using laser entertainment products vary from country to country. The user is responsible for the legal requirements in the location/country of use.



**CAUTION! DO NOT operate this device in ways not specified in this User Manual. Failure to follow the instructions will void the warranty, may damage the product, or injure the user or the audience.**  
**CAUTION! This product cannot be discarded with household waste. Contact your local waste management service for electronic disposal regulations in your area.**

# Laser Safety Label Reproduction



 <p><b>LASER LIGHT</b>  <b>AVOID DIRECT EYE EXPOSURE</b>  <b>CLASS 3R LASER PRODUCT</b>          100 mW, 650 nm / 40 mW, 532 nm / 100 mW, 450 nm          Classified per EN/IEC 60825-1:2007</p>	
<b>CHAUVET WORLDWIDE HEADQUARTERS</b> SUNRISE, FLORIDA USA	
  	
MODEL: Scorpion™ Storm FX RGB ITEM CODE: 10060766 FUSE: T 1 A, 250 V MAX. OUTPUT CURRENT: 8 A (33 units @ 120 V) (55 units @ 230 V) LIGHT SOURCE: LASER ORIGIN: MADE IN P.R.C.	THIS APPLIANCE MUST BE GROUNDED USE ONLY FUSE OF SAME TYPE & RATING NOT FOR HOUSEHOLD USE IMPROPRE A L'USAGE DOMESTIQUE DRY LOCATIONS EMPACEMENTS SECS DISCONNECT POWER BEFORE SERVICING
USA/CANADA Power: AC 100~125 V, 60 Hz 0.24 A, 26 W	WORLDWIDE Power: AC 100~240 V, 50 Hz 0.14 A, 31 W



**Laser  
Exposure  
Warning**



**LASER LIGHT AVOID DIRECT EYE EXPOSURE**

Further guidelines and safety programs for safe use of lasers can be found in the ANSI Z136.1 Standard "For Safe Use of Lasers", available from the Laser Institute of America: [www.laserinstitute.org](http://www.laserinstitute.org). Many local governments, corporations, agencies, military, and others, require all lasers to be used under the guidelines of ANSI Z136.1. Laser Display guidance can be obtained via the International Laser Display Association: [www.laserist.org](http://www.laserist.org).

**Laser Emission Data**

Laser Classification	Class 3R
Red Laser Medium	LD GaAIAs, 650 nm/100 mW
Green Laser Medium	DPSS Nd:YVO4, 532 nm/40 mW
Blue Laser Medium	LD GaAIAs 450 nm/100 mW
Beam Diameter	<5 mm at aperture
Pulse Data	All pulses < 4 Hz (>0.25 sec)
Divergence (each beam)	<2 mrad
Divergence (total light)	<160 degrees
Laser Power of Each Beam from Aperture*	<5 mW

*\*As measured under IEC measurement conditions for classification.*

**Laser  
Compliance  
Statement**

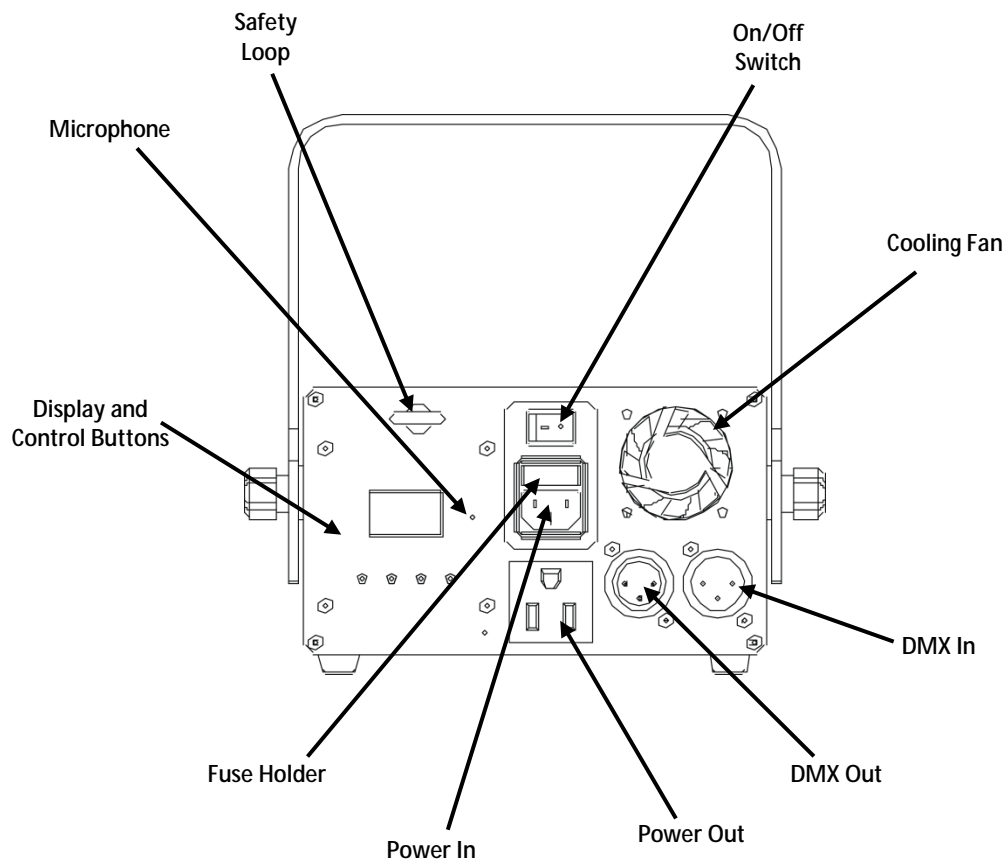
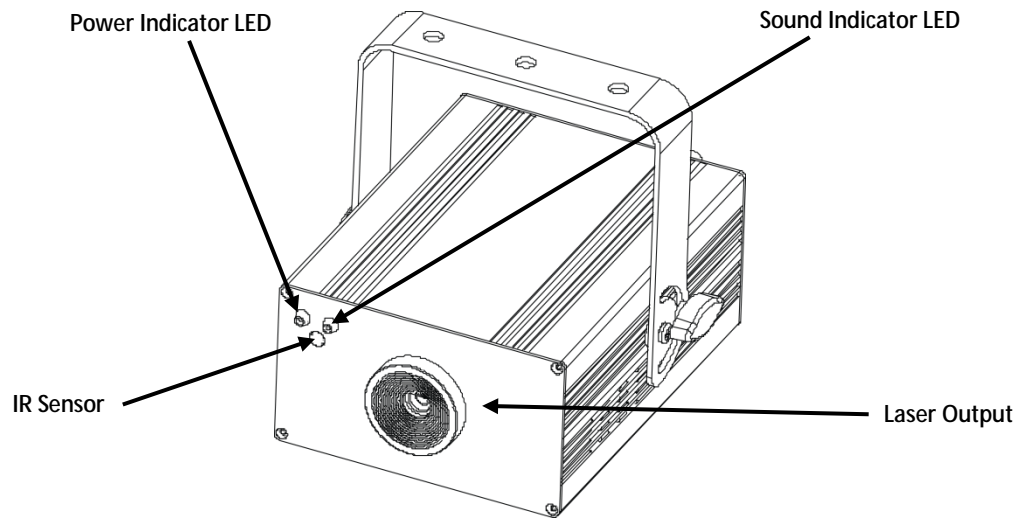


This laser product complies with EN/IEC 60825-1 Ed 2, 2007-03, and U.S. FDA/CDRH FLPPS via the terms of Laser Notice No. 50 dated June 24, 2007. This laser device is classified 3R. (Class 3R is the international equivalent of U.S. Class IIIa.) No maintenance is required to keep this product in compliance with laser performance standards.

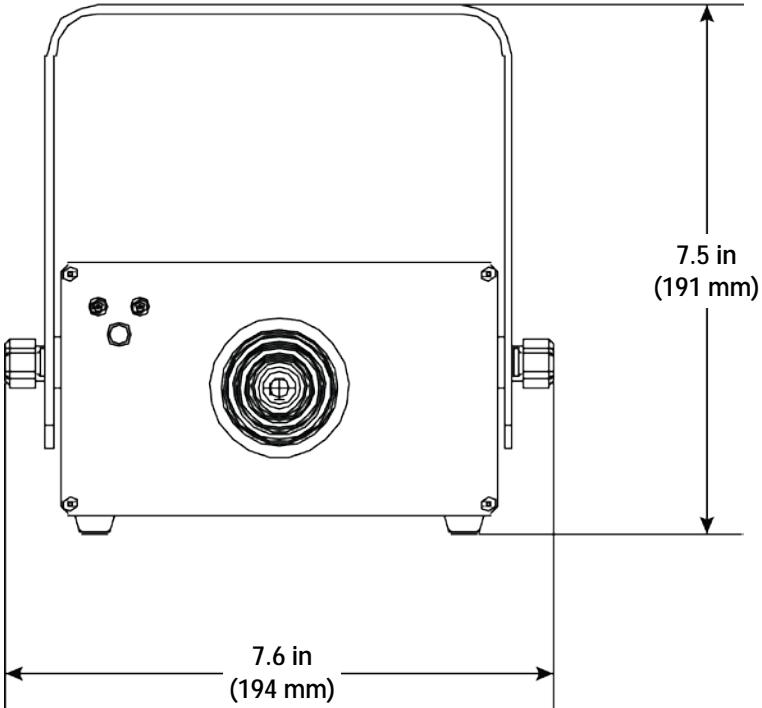
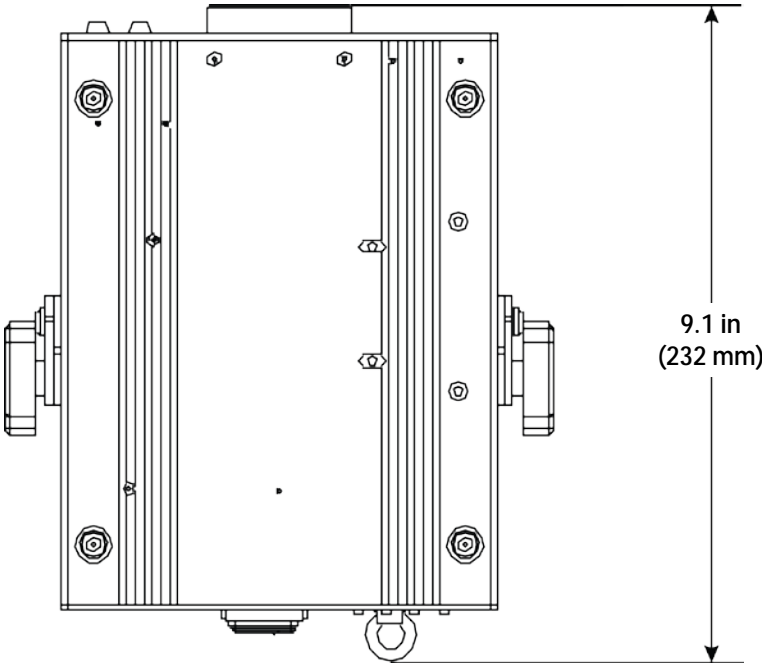
---

## 2. INTRODUCTION

### Overview



# Dimensions



## 3. SETUP

**AC Power** The Scorpion™ Storm FX RGB has an external auto-ranging power supply and it can work with an input voltage range of 100 to 240 VAC, 50/60 Hz.

To determine the product's power requirements (circuit breaker, power outlet, and wiring), use the current value listed on the label affixed to the product's back panel, or refer to the [Technical Specifications](#). The listed current rating indicates the product's average current draw under normal conditions.



- **Always connect the product to a protected circuit (circuit breaker or fuse). Make sure the product has an appropriate electrical ground to avoid the risk of electrocution or fire.**
- **To eliminate wear and improve its lifespan, during periods of non-use completely disconnect from power via breaker or by unplugging it.**



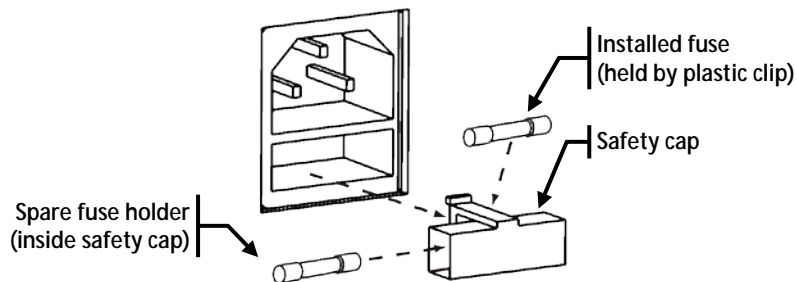
**Never connect the product to a rheostat (variable resistor) or dimmer circuit, even if the rheostat or dimmer channel serves only as a 0 to 100% switch.**

### Fuse Replacement



**Disconnect the product from power before replacing the fuse.**

1. Disconnect the product from power.
2. Wedge the tip of a flat-head screwdriver into the slot of the fuse holder.
3. Pry the fuse holder out of the housing.
4. Remove the blown fuse from the holder.
5. Replace with a fuse of the exact same type and rating.
6. Insert the fuse holder back in place and reconnect power.

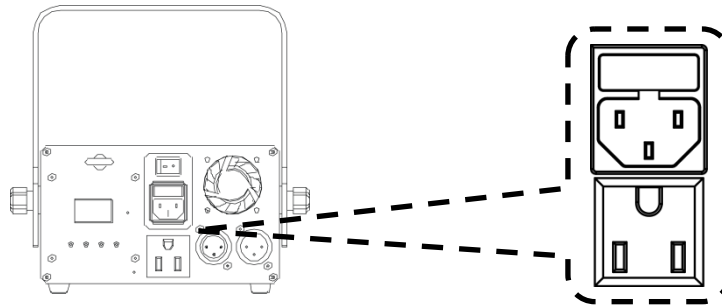


**A spare fuse is not included; however, the safety cap has room for a spare.**

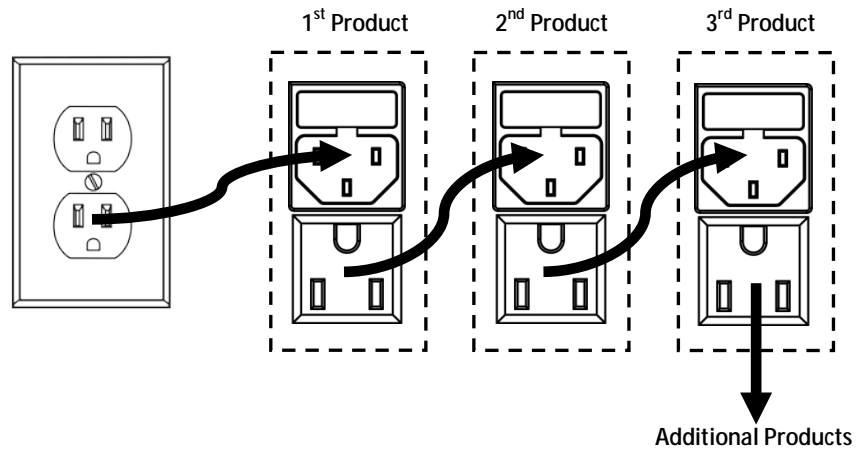


**Always replace a blown fuse with one of the same type and rating.**

**Power Linking** The product provides power linking via the Edison/IEC outlet located in the back of the unit.



**Power Linking Diagram**



You can power link up to 33 Scorpion™ Storm FX RGB units on 120 VAC or up to 55 Scorpion™ Storm FX RGB units on 230 VAC.



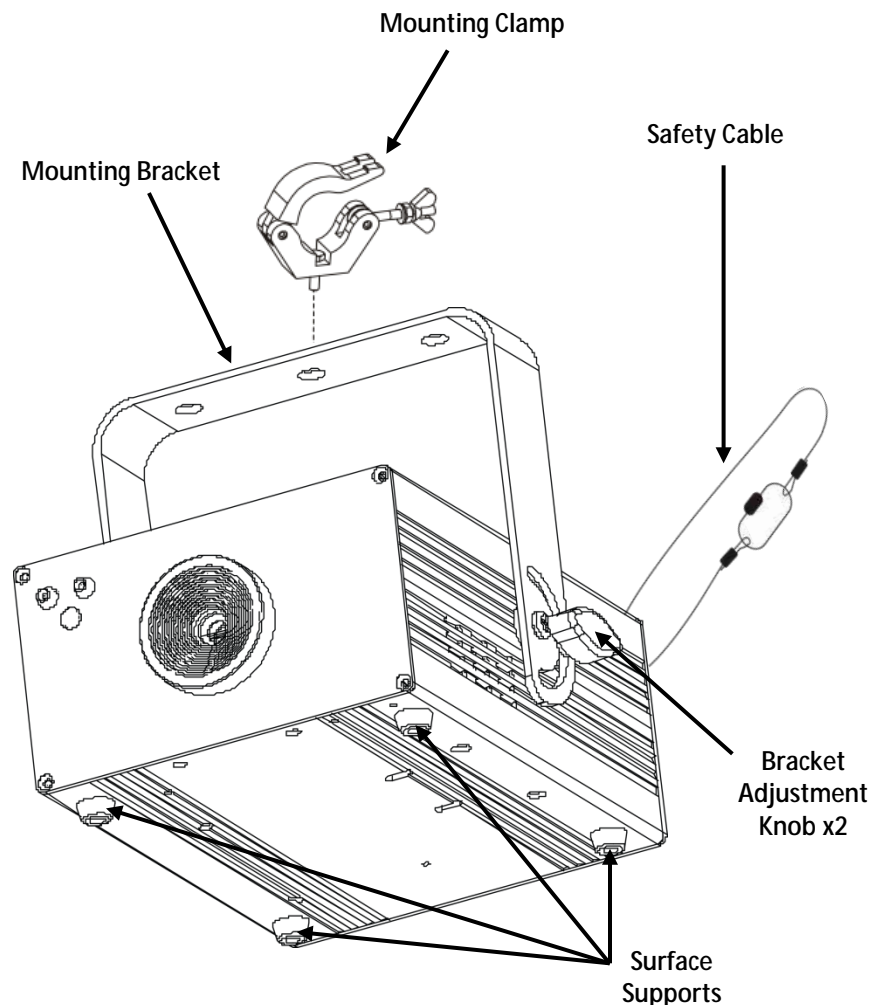
The power linking diagram shown above corresponds to the North American version of the product ONLY! If using the product in other markets, you must consult with the local Chauvet distributor as power linking connectors and requirements may differ in your country or region.

---

**Mounting** Before mounting the product, read and follow the safety recommendations indicated in the [Safety Notes](#).

**Orientation** The Scorpion™ Storm FX RGB must be mounted in a position that includes planning for safe laser usage. In addition, make sure adequate ventilation is provided around the product.

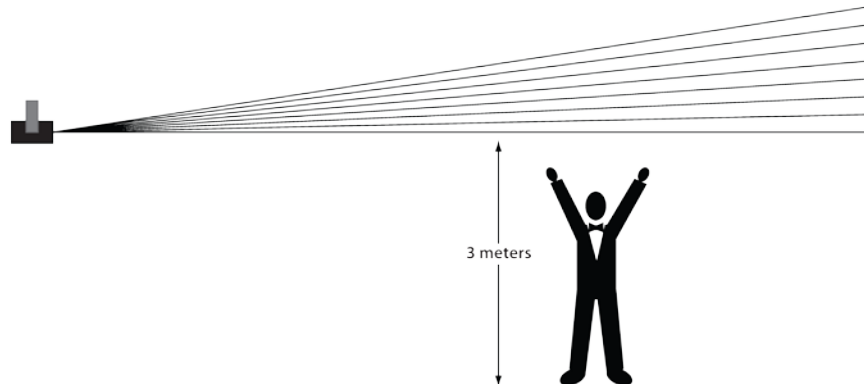
- Rigging**
- Before deciding on a location for the product, always make sure there is easy access to the product for maintenance and programming.
  - Make sure that the structure or surface onto which you are mounting the product can support the product's weight (see the [Technical Specifications](#)).
  - When mounting the product overhead, always use a safety cable. Mount the product securely to a rigging point, such as an elevated platform or a truss.
  - When rigging the product onto a truss, you should use a mounting clamp of appropriate weight capacity. The bracketed has a 13-mm hole, which is appropriate for this purpose.
  - The bracket adjustment knobs allow for directional adjustment when aiming the product to the desired angle. Only loosen or tighten the bracket knobs manually. Using tools could damage the knobs.



---

**Proper Usage** This product is for overhead mounting only. For safety purposes, Chauvet recommends mounting lighting effect products on steady elevated platforms or sturdy overhead supports using suitable hanging clamps. In all cases, use safety cables. Obtain appropriate mounting hardware from your lighting vendor.

**International laser safety regulations require that laser products must be operated in the fashion illustrated below, with a minimum of 3 meters (9.8 ft) of vertical separation between the floor and the lowest laser light. Additionally, 3 meters of horizontal separation is required between laser light and audience or other public spaces.**



**CAUTION! USE OF CONTROLS, ADJUSTMENTS, OR PROCEDURES OTHER THAN THOSE SPECIFIED IN THIS USER MANUAL MAY RESULT IN HAZARDOUS RADIATION EXPOSURE.**

## 4. OPERATION

This product is not designed for continual use. Make sure there are regular breaks during operation to maximize the life of your laser. Always disconnect the Scorpion™ Storm FX RGB from power when not in use.

### Control Panel Operation

To access the control panel functions, use the four buttons located underneath the display. When the product is on, the LED monitor on the rear panel will show the current operating mode (standalone or DMX). The product will retain the last saved settings when powered off.

Button	Function
<FUNC>	Selects an operation mode or backs out of the current menu option
<UP>	Scrolls up the list of options or selects a higher value
<DOWN>	Scrolls down the list of options or selects a lower value
<ENTER>	Activates a menu option or a selected value

### Menu Map

Mode	Programming Steps	Description
DMX Mode	001—506	Selects DMX starting address
Auto Fast	AuF	Fast auto program
Auto Slow	AuS	Slow auto program
Sound	Sou	Sound-Active program
Sensitivity	S 0—S 9	Sound sensitivity control
Random	rdN	Random program
Slave Mode	SLA	Slave mode
Remote Control	rEN	Wireless remote control

### Configuration (DMX)

Set the product in DMX mode to control with a DMX controller.

1. Connect the product to a suitable power outlet.
2. Turn the product on.
3. Connect a DMX cable from the DMX output of the DMX controller to the DMX input socket on the product.

### Starting Address

When selecting a DMX starting address, always consider the number of DMX channels the selected DMX mode uses. If you choose a starting address that is too high, you could restrict the access to some of the product's channels.

The Scorpion™ Storm FX RGB uses up to 7 DMX channels in DMX mode, which defines the highest configurable address to **506**.

If you are not familiar with the DMX protocol, download the DMX Primer from [www.chauvetlighting.com](http://www.chauvetlighting.com).

To select the starting address, do the following:

1. Press <FUNC> repeatedly until **001—506** blinks on the display.
2. Use <UP> or <DOWN> to select the starting address.
3. Press <ENTER> and the DMX indicator light turns on.



## DMX Channel Modes, Assignments, and Values

7-Channel	Channel	Function	Value	Setting
	1	Control Functions	000 ◊ 050 051 ◊ 100 101 ◊ 150 151 ◊ 200 201 ◊ 255	DMX mode Auto program, fast Auto program, slow Sound-Active program Random program
	2	Color Selection (when Ch. 1 is between 000–050)	000 ◊ 004 005 ◊ 015 016 ◊ 025 026 ◊ 035 036 ◊ 045 046 ◊ 055 056 ◊ 065 066 ◊ 075 076 ◊ 085 086 ◊ 095 096 ◊ 105 106 ◊ 115 116 ◊ 125 126 ◊ 135 136 ◊ 145 146 ◊ 155 156 ◊ 165 166 ◊ 175 176 ◊ 185 186 ◊ 195 196 ◊ 205 206 ◊ 215 216 ◊ 225 226 ◊ 255	Blackout Red Green Blue Red + Green Green + Blue Blue + Red Red + Green, Blue Red on, Green strobing Green on, Blue strobing Blue on, Red strobing Red + Green, alternate strobing Green + Blue, alternate strobing Blue + Red, alternate strobing Red + Green on, Blue strobing Blue + Green on, Red strobing Red + Blue on, Green strobing Blue on, Green + Red Strobing Red on, Green + Blue Strobing Green on, Red + Blue Strobing Blue on, Red + Green Alternate Strobing Red on, Green + Blue Alternate Strobing Green on, Red + Blue Alternate Strobing Red + Green + Blue Alternate Strobing
		Color Selection (when Ch. 1 is between 051–200)	000 ◊ 036 037 ◊ 072 073 ◊ 108 109 ◊ 144 145 ◊ 180 181 ◊ 216 217 ◊ 255	Red Green Blue Red + Green Green + Blue Blue + Red Red + Green + Blue
	3	Strobe	000 ◊ 004 005 ◊ 254 255	No function Strobe, slow to fast Sound-Active strobe
	4	Rotation (motor 1)	000 ◊ 004 005 ◊ 127 128 ◊ 133 134 ◊ 255	No rotation Clockwise rotation, slow to fast Stop Counter-clockwise rotation, slow to fast
	5	Stutter (motor 1)	000 ◊ 004 005 ◊ 056 057 ◊ 112 113 ◊ 168 169 ◊ 255	No function Mode 1, slow to fast (when Ch. 4 is on) Mode 2, slow to fast (when Ch. 4 is on) Mode 3, slow to fast Mode 4, slow to fast
	6	Rotation (motor 2)	000 ◊ 004 005 ◊ 127 128 ◊ 133 134 ◊ 255	No rotation Clockwise rotation, slow to fast Stop Counter-clockwise rotation, slow to fast
	7	Stutter (motor 2)	000 ◊ 004 005 ◊ 056 057 ◊ 112 113 ◊ 168 169 ◊ 255	No function Mode 1, slow to fast (when Ch. 6 is on) Mode 2, slow to fast (when Ch. 6 is on) Mode 3, slow to fast Mode 4, slow to fast



For manual operation of lasers using DMX control, be sure Channel 1 is set to DMX mode (000–050). When Channel 1 is 051–255, Channels 3–7 have no function.

## Configuration (Standalone)

Set the product in one of the standalone modes to control without a DMX controller.

1. Connect the product to a suitable power outlet.
2. Turn the product on.



**Never connect a product that is operating in any standalone mode (Static, Auto, or Sound) to a DMX string connected to a DMX controller. Products in standalone mode may transmit DMX signals that could interfere with the DMX signals from the controller.**

## Sound Mode

To enable the Sound-Active program, do the following:

1. Press <FUNC> repeatedly until **Sou** blinks on the display.
2. Press <ENTER>.
3. Use <UP> or <DOWN> to select the desired color(s).
4. Press <ENTER> and the SOUND indicator light turns on.

## Sound Sensitivity

To set the sound sensitivity, follow the instructions below:

1. Press <FUNC> repeatedly until **S 0—S 9** blinks on the display.
2. Use <UP> or <DOWN> to select the desired sound sensitivity.
3. Press <ENTER>.



- **The product will only respond to low frequencies of music (bass and drums).**
- **The laser will blackout when in Sound mode after 3 seconds of silence or noise below the sensitivity setting.**

## Auto Modes

To enable the auto programs, follow the instructions below:

1. Press <FUNC> repeatedly until **AuF** (fast auto program) or **AuS** (slow auto program) blinks on the display.
2. Press <ENTER> to select the desired auto program.
3. Use <UP> or <DOWN> to select the desired color(s).
4. Press <ENTER>.

## Master/Slave Mode

The Master/Slave mode allows a single Scorpion™ Storm FX RGB product (the master) to control the actions of one or more Scorpion™ Storm FX RGB products (the slaves) without the need of a DMX controller. The master will be set to operate in either an auto program or Sound mode, while the slaves will be set to operate in Slave mode. Once set and connected, the slave units will operate in unison with the master unit.

Configure the units as indicated below.

### Slave units:

1. Press <FUNC> repeatedly until **SLA** shows on the display.
2. Press <ENTER>.
3. Connect the DMX input of the first slave unit to the DMX output of the master unit.
4. Connect the DMX input of the subsequent slave units to the DMX output of the previous slave unit.
5. Finish setting and connecting all the slave units.

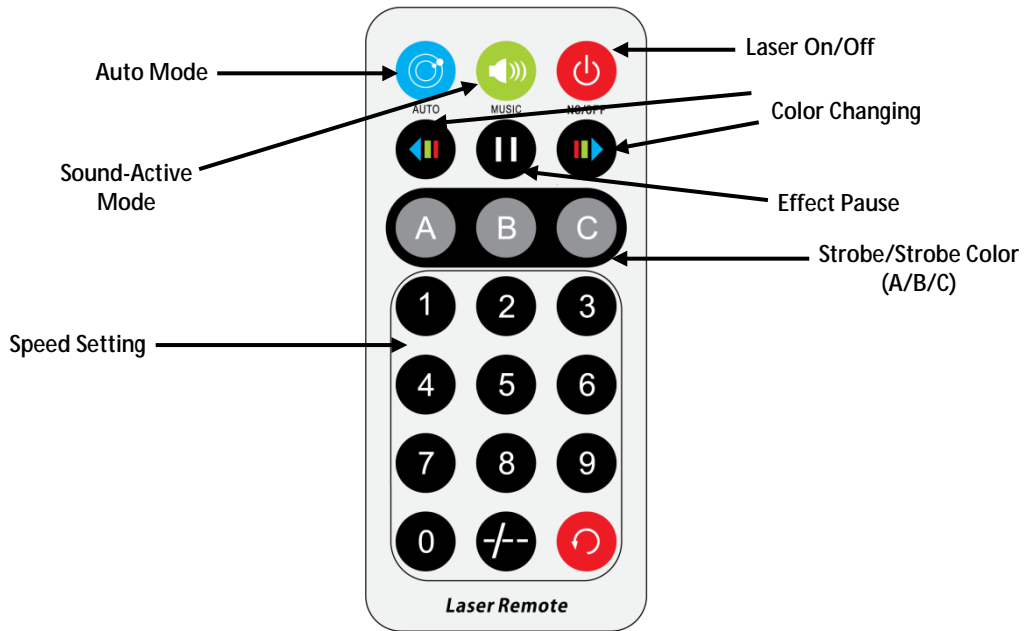
### Master unit:

1. Set the master unit to operate in either an auto program or Sound mode.
2. Make the master unit the first unit in the DMX daisy chain.



- **Configure all the slave units before connecting the master unit to the DMX daisy chain.**
- **Never connect a DMX controller to a DMX string configured for Master/Slave operation because the controller may interfere with the signals from the master unit.**
- **Do not connect more than 31 slave units to the master unit.**

## Remote Control



Button	Function	Description
	<b>ON/OFF</b>	Hold for 3 seconds to activate or deactivate remote mode
	<b>Auto Mode</b>	Laser runs on built-in auto programs
	<b>Sound-Active Mode</b>	The Sound Indicator LED flashes when sound is detected
	<b>Sound Sensitivity</b>	In Sound-Active mode, press <MUSIC> + <B> + <1> (least sensitive) to <9> (most sensitive) to adjust sensitivity setting
	<b>Color Changing</b>	Selects laser color: Red>Green>Blue>R&G>G&B>B&R>RGB
	<b>Strobe</b>	Press <A> (Red), <B> (Green), or <C> (Blue), and then <0> to <9>
	<b>Speed Setting</b>	Number buttons from <1> to <9> control Strobe



**Note:** Any control or setting on the IR Remote will be saved until the system is rebooted. The system will revert to Auto Mode after reboot.

---

## 5. TECHNICAL INFORMATION

### **Product Maintenance**

Dust build-up reduces light output performance and can cause overheating. To maintain optimum performance, clean the product at least twice a month. However, usage and environmental conditions contribute to increasing the cleaning frequency.

To clean the product, follow the instructions below:

1. Unplug the product from power.
2. Wait until the product is at room temperature.
3. Use a vacuum (or dry compressed air) and a soft brush to remove dust collected on the external surfaces and fan vents.
4. Clean the glass panel (laser aperture) with a mild solution of glass cleaner or isopropyl alcohol.
5. Apply the solution directly to a soft, lint-free cotton cloth or a lens cleaning tissue.
6. Softly wipe any dirt or grime to the outside edges of the glass.
7. Gently polish the glass surface until they are free of haze and lint.



**Always dry the glass surfaces carefully after cleaning them.**



**Do not spin the fan using compressed air because you could damage it.  
Do not open this product for cleaning or servicing.**

## 6. TECHNICAL SPECIFICATIONS

Dimensions and Weight	Length	Width	Height	Weight
	9.1 in (232 mm)	7.6 in (194 mm)	7.5 in (191 mm)	3.8 lb (1.7 kg)

**Note:** Dimensions in inches rounded to the nearest decimal digit.

Power	Input Voltage	Range	Voltage Selection
	Switching (internal)	100 to 240 VAC, 50/60 Hz	Auto-ranging

Parameter	120 V, 60 Hz	230 V, 50 Hz
Consumption	26 W	31 W
Operating current	0.24 A	0.14 A
Power linking current (units)	8 A (33 units)	8 A (55 units)
Fuse	T 1 A, 250 V	T 1 A, 250 V

Power I/O	US/Worldwide	UK/Europe
Power input connector	IEC	IEC
Power output connector	Edison	IEC
Power Cord plug	Edison (US)	Local plug

### Light Source

Type	Power	Wavelength
Laser (red)	100 mW	650 nm
Laser (green)	40 mW	532 nm
Laser (blue)	100 mW	450 nm

### Photo Optic

Parameter	
Coverage angle	100°

### Thermal

Laser Maximum External Temp	Cooling System
95 °F (35 °C)	Fan-cooled

### DMX

I/O Connectors	Connector Type	Channel Range
3-pin XLR	Sockets	7

### Ordering

Product Name	Item Code	UPC Code
Scorpion™ Storm FX RGB	10060766	781462211141



---

# RETURNS

In case you need to get support or return a product:

- If you are located in the U.S., contact Chauvet World Headquarters.
- If you are located in the UK or Ireland, contact Chauvet Europe Ltd.
- If you are located in Mexico, contact Chauvet Mexico.
- If you live in Benelux, contact Chauvet Europe BVBA.
- If you are located in any other country, DO NOT contact Chauvet. Instead, contact your local distributor. See [www.chauvetlighting.com](http://www.chauvetlighting.com) for distributors outside the U.S., UK, Ireland, Benelux, or Mexico.



**If you are located outside the U.S., UK, or Ireland, contact your distributor of record and follow their instructions on how to return Chauvet products to them. Visit our website [www.chauvetlighting.com](http://www.chauvetlighting.com) for contact details.**

Call the corresponding Chauvet Technical Support office and request a Return Merchandise Authorization (RMA) number before shipping the product. Be prepared to provide the model number, serial number, and a brief description of the cause for the return.

Send the merchandise prepaid, in its original box, and with its original packing and accessories. Chauvet will not issue call tags.

Clearly label the package with the RMA number. Chauvet will refuse any product returned without an RMA number.



**Write the RMA number on a properly affixed label. DO NOT write the RMA number directly on the box.**

Before sending the product, clearly write the following information on a piece of paper and place it inside the box:

- Your name
- Your address
- Your phone number
- RMA number
- A brief description of the problem

Be sure to pack the product properly. Any shipping damage resulting from inadequate packaging will be your responsibility. FedEx packing or double-boxing are recommended.



**Chauvet reserves the right to use its own discretion to repair or replace returned product(s).**

---

# CONTACT Us

## **WORLD HEADQUARTERS - Chauvet**

### **General Information**

Address: 5200 NW 108th Avenue  
Sunrise, FL 33351

Voice: (954) 577-4455

Fax: (954) 929-5560

Toll free: (800) 762-1084

### **Technical Support**

Voice: (954) 577-4455 (Press 4)

Fax: (954) 756-8015

Email: [tech@chauvetlighting.com](mailto:tech@chauvetlighting.com)

**World Wide Web** [www.chauvetlighting.com](http://www.chauvetlighting.com)

## **UNITED KINGDOM AND IRELAND - Chauvet Europe Ltd.**

### **General Information**

Address: Unit 1C  
Brookhill Road Industrial Estate  
Pinxton, Nottingham, UK  
NG16 6NT

Voice: +44 (0)1773 511115

Fax: +44 (0)1773 511110

### **Technical Support**

Email: [uktech@chauvetlighting.com](mailto:uktech@chauvetlighting.com)

**World Wide Web** [www.chauvetlighting.co.uk](http://www.chauvetlighting.co.uk)

## **MEXICO - Chauvet Mexico**

### **General Information**

Address: Av. Santa Ana 30  
Parque Industrial Lerma  
Lerma, Mexico C.P. 52000

Voice: +52 (728) 285-5000

### **Technical Support**

Email: [servicio@chauvet.com.mx](mailto:servicio@chauvet.com.mx)

**World Wide Web** [www.chauvet.com.mx](http://www.chauvet.com.mx)

## **CHAUVET EUROPE - Chauvet Europe BVBA**

### **General Information**

Address: Stokstraat 18  
9770 Kruishoutem  
Belgium

Voice: +32 9 388 93 97

### **Technical Support**

Email: [Eutech@chauvetlighting.eu](mailto:Eutech@chauvetlighting.eu)

**World Wide Web** [www.chauvetlighting.eu](http://www.chauvetlighting.eu)

Outside the U.S., United Kingdom, Ireland, Mexico, or Benelux contact the dealer of record. Follow their instructions to request support or to return a product. Visit our website for contact details.

# 1. ANTES DE EMPEZAR

## Qué va Incluido

- Scorpion™ Storm FX RGB
- Cable de alimentación
- Control Remoto por Infrarrojos
- Tarjeta de Garantía
- Manual de Usuario

## Instrucciones de Desembalaje

Desembale el producto con cuidado inmediatamente y compruebe la caja para asegurarse de que todas las piezas están en el paquete y en buen estado.

## Reclamaciones




Si la caja o el contenido (el producto y los accesorios incluidos) parecen dañados a causa del transporte o muestran signos de manipulación inadecuada, notifíquesele inmediatamente al transportista, y no a Chauvet. Si no lo hace oportunamente, puede quedar invalidada su reclamación al transportista. Además, guarde la caja y todo el material de embalaje para su inspección.

Para otras incidencias, como componentes o piezas que falten, daños no relacionados con el transporte o daños no evidentes, presente una reclamación a Chauvet en el plazo de 7 días de la entrega.

## Convenciones del Manual

Convención	Significado
1—512	Un rango de valores
50/60	Un conjunto de valores de los cuales solo se puede escoger uno
<b>Settings</b>	Una opción de menú que no se puede modificar
<b>Menu &gt; Settings</b>	Una secuencia de opciones de menú que ha de seguirse
<b>&lt;ENTER&gt;</b>	Una tecla que se tiene que pulsar en el panel de control del producto
<b>ON</b>	Un valor que se tiene que introducir o seleccionar

## Símbolos

Símbolo	Significado
	Instalación, configuración o información sobre funcionamiento crítica. Hacer caso omiso de esta información puede hacer que el producto no funcione, que se averíe, o causar daños al usuario.
	Instalación o información de configuración importante. El producto puede no funcionar correctamente si esta información no se usa.
	Información útil.

## Exención de Responsabilidad

La información y especificaciones contenidas en este documento están sujetas a cambio sin previo aviso. Chauvet no asume responsabilidad de ningún tipo por cualquier error u omisión que pueda aparecer en este manual, y se reserva el derecho a revisar o rehacer este manual en cualquier momento. Descargue la última versión de [www.chauvetlighting.com](http://www.chauvetlighting.com).

© Copyright 2015 Chauvet. Todos los derechos reservados.

Impreso en la R. P. China.

Publicación en formato electrónico por Chauvet en EE.UU.

Autor	Fecha	Editor	Fecha
R. Isenstadt	27/02/15	D. Coupepe	29/04/15



## Notas de Seguridad

Las Notas de seguridad incluyen información importante sobre seguridad del sistema láser. Lea y comprenda todas las instrucciones antes de encender el láser por primera vez. Conocer las instrucciones de seguridad es crucial para evitar lesiones oculares y para no infringir la ley. Mantenga este manual de usuario en un lugar seguro para futuras consultas.



### DETÉNGASE Y LEA TODOS LOS DATOS DE SEGURIDAD



- **Los láseres pueden ser peligrosos y tienen consideraciones de seguridad particulares. Puede producirse lesión ocular permanente y ceguera si los láseres se usan incorrectamente. Ponga máxima atención a todos los COMENTARIOS y ADVERTENCIAS de seguridad de este manual de usuario. Lea atentamente todas las instrucciones ANTES de poner en funcionamiento este dispositivo.**
- Conecte siempre el producto a un circuito con toma de tierra para evitar el riesgo de electrocución.
- Desconecte siempre el producto de la alimentación antes de limpiarlo o sustitución del fusible.
- Evite la exposición directa de los ojos a la fuente de luz mientras es producto esté encendido.
- Asegúrese de que el cable de alimentación no está retorcido ni estropeado.
- Nunca desconecte este producto de la alimentación agarrando o tirando del cable.
- Si monta el producto en alto, asegure siempre a un dispositivo de seguridad usando cable de seguridad.
- Asegúrese de que no hay materiales inflamables cerca del producto cuando esté en funcionamiento.
- No toque la carcasa del producto cuando esté en funcionamiento, porque podría estar muy caliente.



- **Este producto no está concebido para una instalación permanente.**
- Asegúrese siempre de que la tensión del enchufe al que conecte el producto está en el rango establecido en el grabado o en el panel posterior del producto.
- ¡El producto es para uso en interiores solamente! (IP20) Para evitar riesgos de incendio o descarga, no exponga el producto a la lluvia o la humedad.
- Instale siempre el producto en una ubicación con ventilación adecuada, al menos a 20" (50 cm) de superficies adyacentes.
- Asegúrese de que ninguna ranura de ventilación en la carcasa del producto queda bloqueada.
- Nunca conecte el producto a un atenuador.
- Asegúrese de reemplazar el fusible por otro del mismo tipo y categoría.
- Use siempre el soporte de montaje para trasladar el producto.
- No Apague/Encienda el producto a intervalos cortos. Esto acortará la vida del diodo láser.
- NO sacuda este producto. Evite usar la fuerza bruta cuando monte o maneje el producto.
- Use SIEMPRE un cable de seguridad cuando monte este producto en lo alto.
- La temperatura ambiente operativa para el láser es de 59 °F a 95 °F (15 °C a 35 °C). No haga funcionar este producto fuera de este rango.
- En caso de un problema grave de funcionamiento, deje de usar el producto inmediatamente.
- Nunca intente reparar el producto. Las reparaciones llevadas a cabo por personal no cualificado pueden provocar averías o funcionamiento defectuoso. Póngase en contacto con el centro de asistencia técnica autorizado más cercano.
- Para evitar un desgaste innecesario y alargar su vida útil, desconecte complemente el producto de la alimentación, mediante el interruptor o desenchufándolo, durante los periodos en los que no se use.



- Evite el contacto directo de los ojos con la luz del láser. Nunca exponga intencionadamente sus ojos o los de otras personas a la luz directa del láser.
- Este producto láser puede causar lesiones oculares al instante, o ceguera, si la luz del láser incide directamente en los ojos.
- Es ilegal y peligroso alumbrar con este láser zonas de espectadores en las que el público u otro personal pueda recibir rayos láser o reflejos de su brillo directamente en los ojos.
- En los EEUU es un delito federal dirigir cualquier láser hacia un avión.
- El uso de controles, ajustes o procedimientos distintos a los especificados en este manual de usuario pueden causar exposición peligrosa a la radiación.
- NO intente ninguna reparación. Las reparaciones y la asistencia deben ser llevadas a cabo por un técnico autorizado. **¡Las modificaciones no autorizadas están prohibidas por motivos de seguridad!**



- Guarde este manual de usuario para futuras consultas. Si este producto pasa a ser propiedad de otro usuario, asegúrese de que este documento acompaña al láser.

### Advertencia sobre Carcasa no Cerrada

- Esta unidad contiene internamente dispositivos láser de alta potencia.
- No abra la carcasa del láser, debido a la potencial exposición a niveles no seguros de radiación láser.
- Los niveles de láser a los que se tiene acceso si se abre la unidad pueden causar ceguera instantánea, quemaduras en la piel e incendios.

### Notas de Seguridad sobre Láser



### DETÉNGASE Y LEA TODAS LAS NOTAS DE SEGURIDAD SOBRE EL LÁSER SIGUIENTES



La luz láser es diferente de cualquier otra fuente de luz. La luz de este producto puede causar lesión ocular si el producto no se instala y usa adecuadamente. La luz láser es miles de veces más concentrada que la luz de cualquier otro tipo de fuente. Esta concentración de luz puede causar lesiones instantáneas en el ojo, fundamentalmente por quemadura de la retina (la zona sensible a la luz en la parte posterior del ojo). Aunque usted no pueda sentir el "calor" de un haz de láser, este puede aún potencialmente lesionar o cegarle a usted o al público. Incluso cantidades de luz láser muy pequeñas son potencialmente peligrosas, incluso a largas distancias. Las lesiones oculares por láser pueden ocurrir más rápido de lo que se tarda en parpadear.

**NO** dé por supuesto que porque estos productos recreativos de láser dividan el láser en cientos de haces, y porque el haz de láser se lance a alta velocidad, es segura la exposición del ojo a un haz individual de láser. Este producto de láser utiliza docenas de milivatios de potencia láser (niveles clase 3B internamente) antes de dividirlo en múltiples haces (niveles clase 3R). Muchos de los haces individuales son potencialmente peligrosos para los ojos.

**NO** asuma que porque la luz láser está en movimiento, es segura. La luz láser no está nunca libre de riesgo, ni aunque el haz se mueva siempre. Puesto que las lesiones oculares pueden producirse instantáneamente, es crítico prevenir la posibilidad de CUALQUIER exposición directa al ojo. Según las disposiciones de seguridad láser, no es legal apuntar con láseres Clase 3a hacia áreas en las que las personas puedan quedar expuestas. Esto se aplica incluso si se apunta con el láser por debajo de las caras de la gente, por ejemplo hacia la pista de baile.



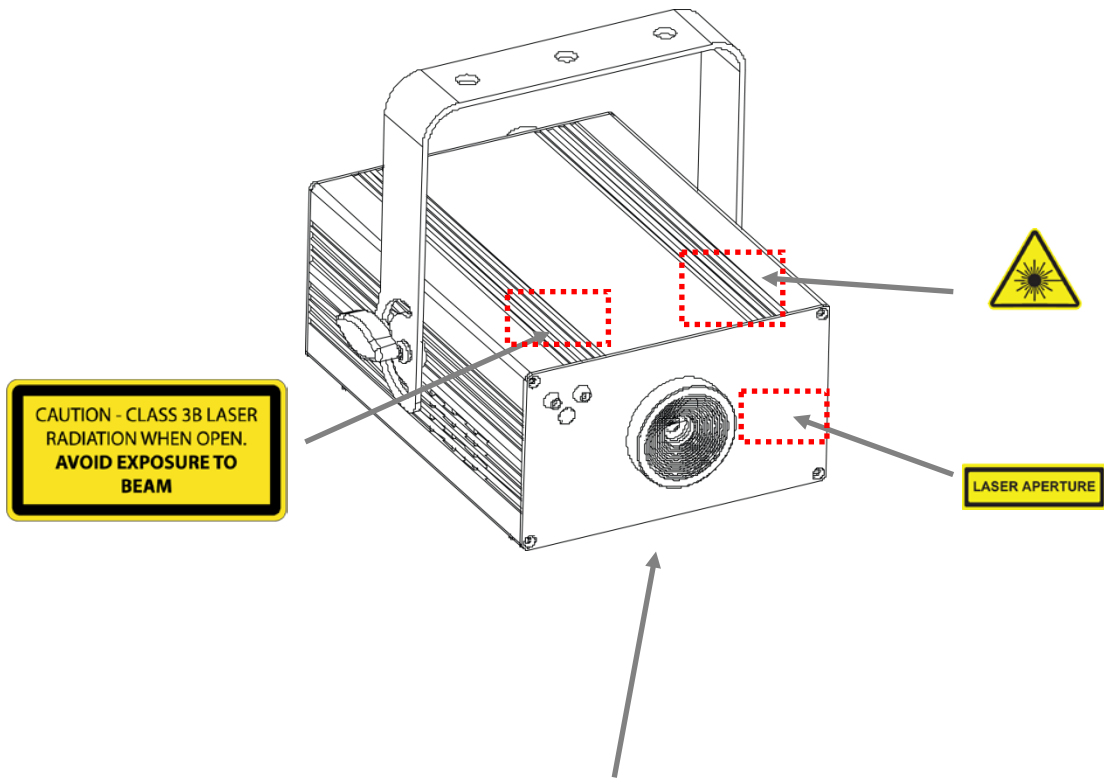
- No ponga en funcionamiento el láser sin primero leer y comprender todos los datos técnicos y de seguridad de este manual.
- Ubique e instale todos los efectos láser **SIEMPRE** de forma que toda la luz láser está al menos a 3 m (9,8 pies) sobre el nivel del suelo en el que se encuentra la gente. Vea la sección [Uso Adecuado](#) de este manual.
- Después de la instalación, y antes de su uso público, pruebe el láser para asegurarse de que funciona adecuadamente. No lo use si detecta cualquier defecto.
- **NO** use el láser si este emite solo uno o dos haces en lugar de docenas/centenares, pues esto podría indicar una avería en la óptica de la rejilla de difracción, y podría permitir la emisión de niveles de láser por encima de la Clase 3R.
- **NO** apunte con láser a personas o animales.
- Nunca mire a la apertura del láser o a los haces de láser.
- **NO** apunte con el láser hacia áreas en las que las personas pudieran quedar expuestas, como balcones sin vigilancia, etc.
- **NO** apunte con láseres a superficies muy reflectantes como ventanas, espejos y metal pulido. Incluso los reflejos del láser pueden ser peligrosos.
- Nunca apunte con el láser a un avión, pues constituye delito según las leyes de EE.UU.
- Nunca apunte hacia el cielo con haces láser sueltos.
- No exponga la óptica de salida (apertura) a productos químicos de limpieza agresivos.
- No use el láser si la carcasa está averiada o abierta, o si la óptica parece dañada de cualquier modo.
- Nunca abra la carcasa del láser. Los altos niveles de potencia láser dentro de la carcasa protectora pueden originar incendios o quemaduras en la piel y causarán lesiones oculares al instante.
- Nunca deje este producto en funcionamiento sin vigilancia.
- El funcionamiento de un láser de espectáculo de Clase 3R solo se permite si el espectáculo es controlado por un operador experimentado y bien formado, familiarizado con los datos contenidos en este manual.
- Los requisitos legales para usar productos de láser recreativo varían de un país a otro. El usuario es responsable de los requisitos legales del lugar/país en que lo utilice.







**¡CUIDADO! NO ponga en funcionamiento este dispositivo en formas no especificadas en este manual de usuario. No seguir las instrucciones invalidará la garantía, podría dañar el producto o lesionar al usuario o al público.**

**¡CUIDADO! Este producto no se puede tirar con la basura doméstica. Póngase en contacto con el servicio de recogida para la eliminación de aparatos electrónicos de su zona.**

# Reproducción de la Etiqueta de Seguridad del Láser



 <p><b>LASER LIGHT</b>  <b>AVOID DIRECT EYE EXPOSURE</b>  <b>CLASS 3R LASER PRODUCT</b>          100 mW, 650 nm / 40 mW, 532 nm / 100 mW, 450 nm          Classified per EN/IEC 60825-1:2007</p>	
<p>CHAUVET WORLDWIDE HEADQUARTERS          SUNRISE, FLORIDA USA</p>	
  	
<p>MODEL: Scorpion™ Storm FX RGB          ITEM CODE: 10060766          FUSE: T 1 A, 250 V          MAX. OUTPUT CURRENT: 8 A (33 units @ 120 V)          (55 units @ 230 V)          LIGHT SOURCE: LASER          ORIGIN: MADE IN P.R.C.</p>	<p>THIS APPLIANCE MUST BE GROUNDED          USE ONLY FUSE OF SAME TYPE &amp; RATING          NOT FOR HOUSEHOLD USE          IMPROPRE A L'USAGE DOMESTIQUE          DRY LOCATIONS          EMPLACEMENTS SECS          DISCONNECT POWER BEFORE SERVICING</p>
<p>USA/CANADA          Power: AC 100-125 V, 60 Hz          0.24 A, 26 W</p>	<p>WORLDWIDE          Power: AC 100-240 V, 50 Hz          0.14 A, 31 W</p>

**Advertencia  
sobre  
Exposición al  
Láser**



**LUZ LÁSER EVITE LA EXPOSICIÓN DIRECTA AL OJO**

Se pueden encontrar más directrices y programas de seguridad para el uso seguro de láseres en la Normativa ANSI Z136.1 "Para uso seguro de Láseres", disponible en el Laser Institute of America: [www.laserinstitute.org](http://www.laserinstitute.org). Muchos gobiernos locales, corporaciones, agencias, ejército y otros requieren que todos los láseres se usen bajo las directrices de ANSI Z136.1. La guía Laser Display puede obtenerse de la International Laser Display Association: [www.laserist.org](http://www.laserist.org).

**Datos de Emisión Láser**

Clasificación Láser	Clase 3R
Láser Rojo Medio	LD GaAIAs, 650 nm/100 mW
Láser Verde Medio	DPSS Nd:YVO4, 532 nm/40 mW
Láser Azul Medio	LD GaAIAs 450 nm/100 mW
Diámetro del Haz	<5 mm en la apertura
Datos de Pulso	Todos los pulsos < 4 Hz (>0.25 s)
Divergencia (cada haz)	<2 mrad
Divergencia (luz total)	<160 grados
Potencia láser de cada haz en la apertura*	<5 mW

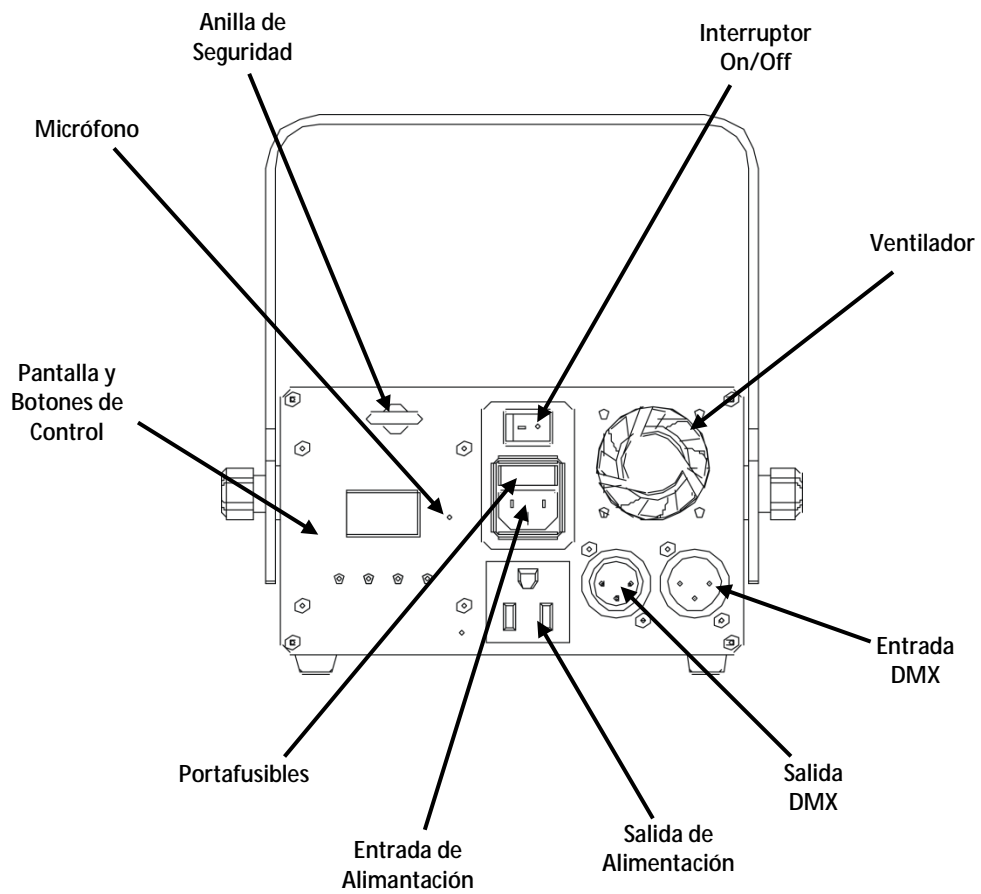
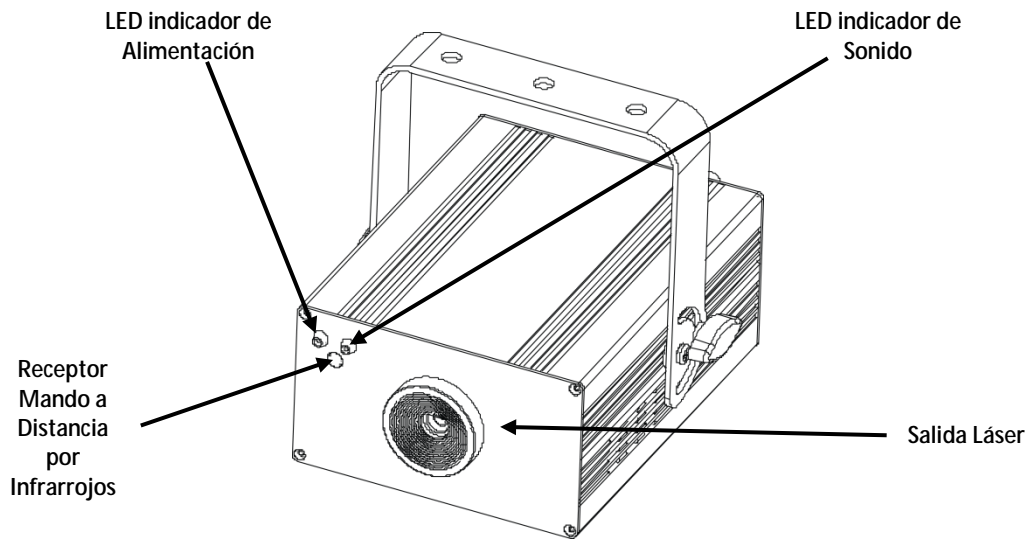
*\*Según medida bajo condiciones de medición IEC para clasificación.*

**Declaración de  
Conformidad  
Láser**

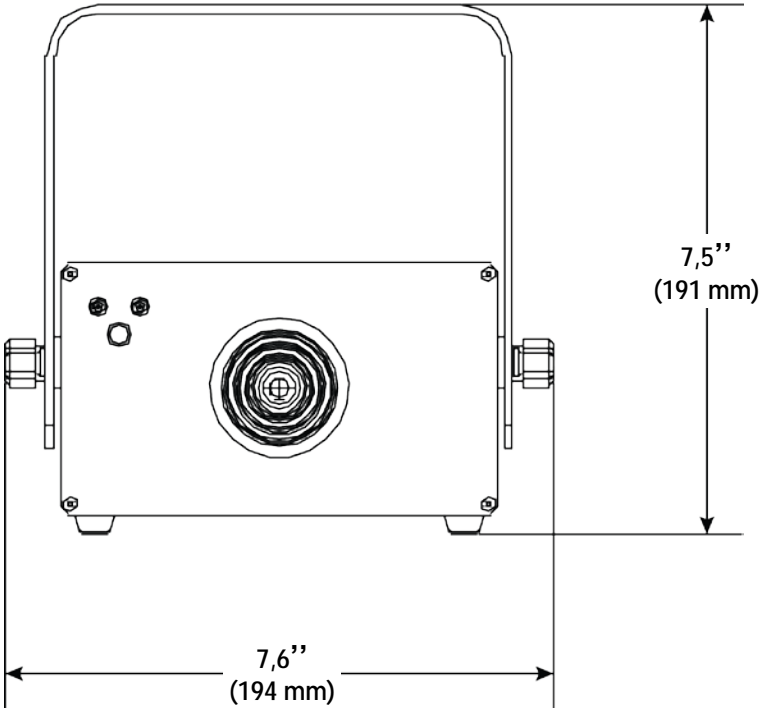
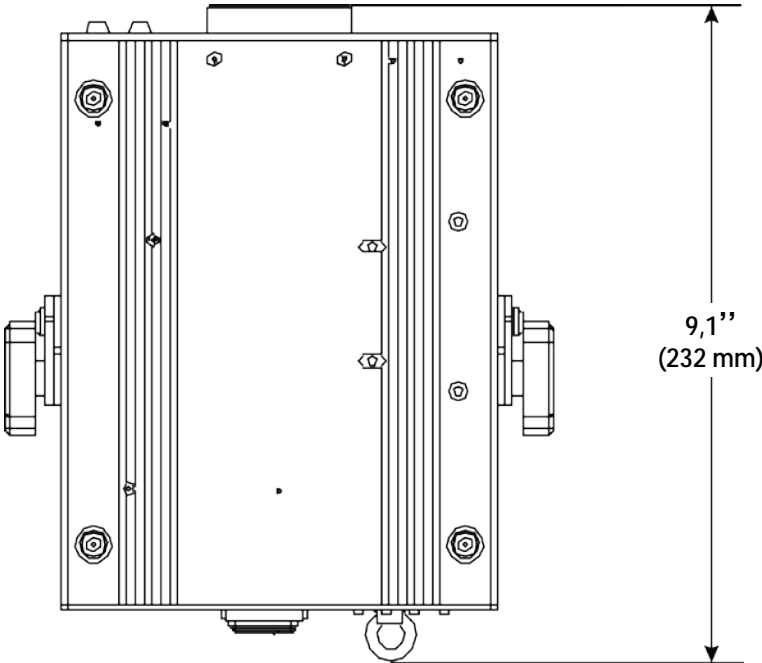
**Este producto láser cumple las directivas EN/IEC 60825-1 Ed 2, 2007-03, y U.S. FDA/CDRH FLPPS mediante las condiciones de Laser Notice No. 50 de fecha 24 de junio de 2007. Este dispositivo láser está clasificado como 3R. (La Clase 3R es el equivalente internacional a la Clase IIIa de EEUU). No es necesario ningún mantenimiento para que este producto siga cumpliendo los estándares de rendimiento láser.**

## 2. INTRODUCCIÓN

### Vista General



# Dimensiones



## 3. INSTALACIÓN

### Corriente Alterna

El Scorpion™ Storm FX RGB tiene una fuente de alimentación con detección automática que puede funcionar con un rango de tensión de entrada de 100 a 240 VCA, 50/60 Hz.

Para determinar los requerimientos de alimentación (disyuntor, toma de alimentación y cableado), use el valor de tensión que aparece en la etiqueta fijada en el panel trasero del producto o consulte estas [Especificaciones Técnicas](#). La especificación de corriente listada indica el consumo de corriente promedio en condiciones normales.



• **Conecte siempre el producto a un circuito protegido (disyuntor o fusible). Asegúrese de que el producto tiene una toma de tierra adecuada para evitar el riesgo de electrocución o incendio.**

• **Para evitar un desgaste innecesario y alargar su vida útil, desconecte completamente el producto de la alimentación, mediante el interruptor o desenchufándolo, durante los periodos en los que no se use.**



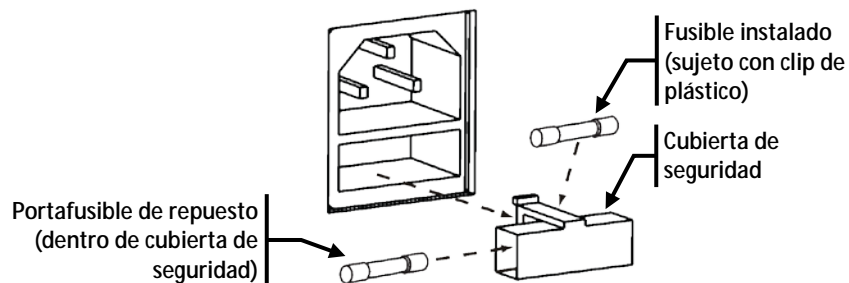
**Nunca conecte el producto a un reostato (resistor variable) o circuito de atenuación, incluso si el canal del reostato o atenuador sirve solo como conmutador 0 a 100%.**

### Sustitución del Fusible



**Desconecte el producto de la alimentación antes de sustituir el fusible.**

1. Desconecte el producto de la alimentación.
2. Haga cuña con la punta de un destornillador plano en la ranura del portafusibles.
3. Saque el portafusibles de la carcasa.
4. Quite el fusible fundido del soporte.
5. Sustitúyalo con un fusible del mismo tipo y categoría exactamente.
6. Vuelva a colocar el portafusibles en su sitio y conecte de nuevo la alimentación.



**No se incluye fusible de repuesto; sin embargo, la tapa de seguridad tiene sitio para un repuesto.**

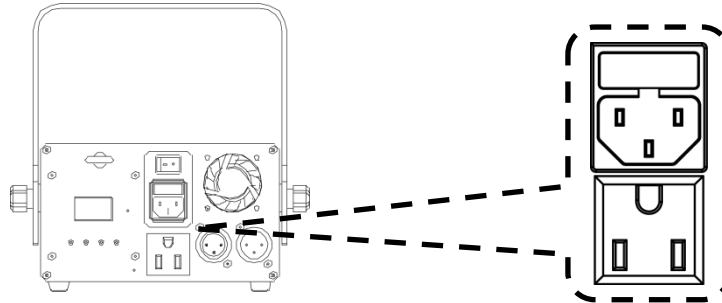


**Sustituya siempre el fusible fundido con uno del mismo tipo y categoría.**

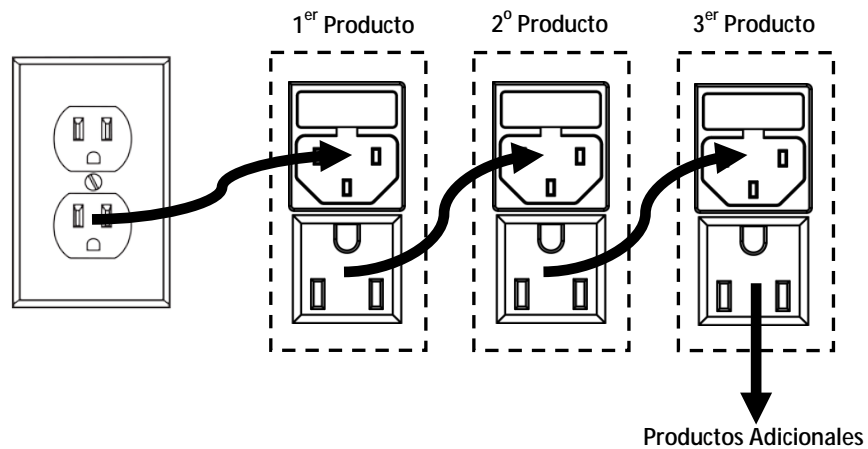


## Alimentación en Cadena

Este producto proporciona alimentación en cadena por medio del enchufe IEC ubicado en la parte posterior de la unidad.



## Diagrama de Alimentación en Cadena



Puede encadenar la alimentación de hasta 33 unidades Scorpion™ Storm FX RGB a 120 VCA o hasta 55 unidades Scorpion™ Storm FX RGB a 230 VCA.

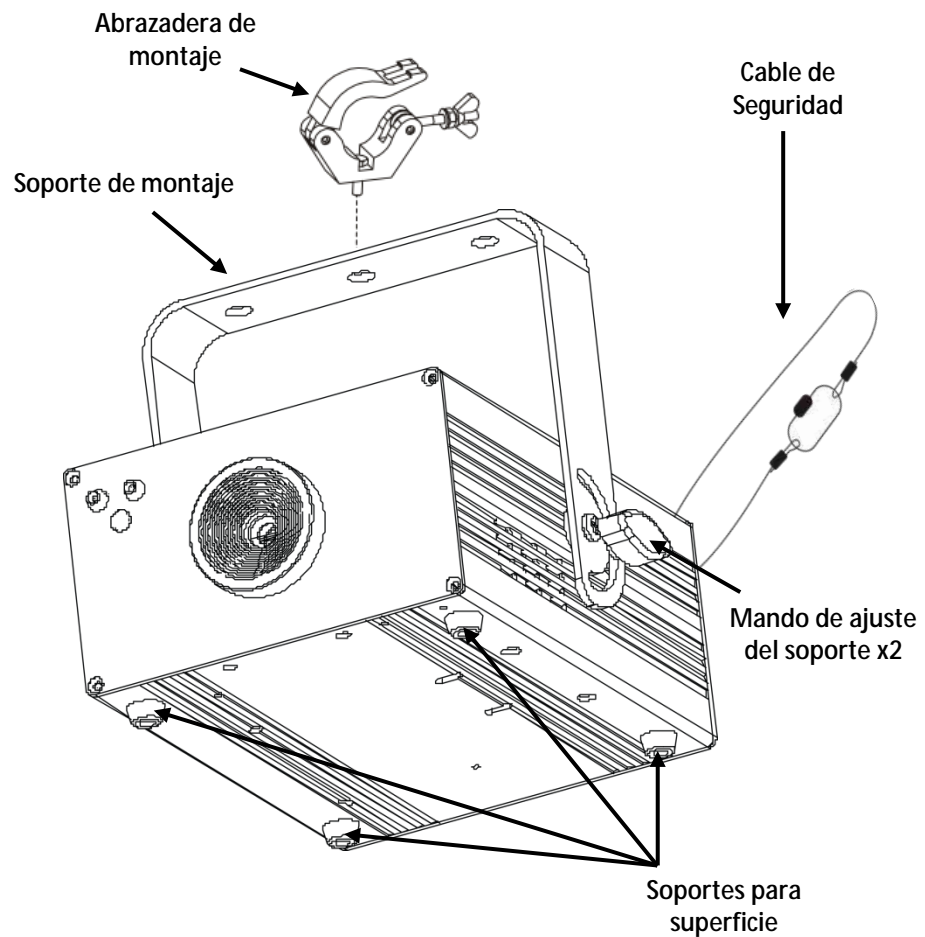


¡El diagrama de alimentación de cadena que se muestra arriba corresponde SOLO a la versión del producto de América del Norte! Si usa el producto en otros mercados, debe consultar con el distribuidor local de Chauvet, pues los conectores de alimentación en cadena y los requisitos pueden variar en su país o región.

**Montaje** Antes de montar el producto, lea y siga las recomendaciones de seguridad indicadas en las [Notas de Seguridad](#).

**Orientación** El Scorpion™ Storm FX RGB se debe montar en un posición preparada para uso seguro de láser. Además, asegúrese de proporcionar una ventilación adecuada alrededor del producto.

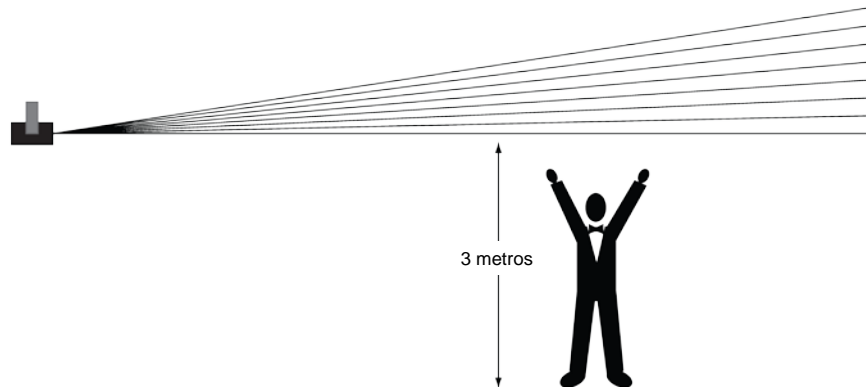
- Rigging**
- Antes de decidir una ubicación para el producto, asegúrese siempre de que hay fácil acceso al producto para su mantenimiento y programación.
  - Asegúrese de que la estructura o superficie sobre la que está montando el producto puede soportar su peso (vea las [Especificaciones Técnicas](#)).
  - Cuando monte este producto en alto, use siempre un cable de seguridad. Monte el producto con seguridad a un punto de anclaje, como una plataforma elevada o un truss.
  - Cuando cuelgue el producto de un truss, debe usar una abrazadera de montaje con la resistencia al peso adecuada. El soporte tiene un agujero de 13 mm, que es adecuado para este propósito.
  - Los mandos de ajuste del soporte permiten el ajuste direccional para dirigir el producto hacia el ángulo deseado. Apriete y afloje los mandos de soporte únicamente con la mano. Usar herramientas podría estropear los mandos.



## Uso Adecuado

Este producto es para montaje en alto solamente. Por seguridad, Chauvet recomienda montar los productos de efectos de iluminación sobre plataformas estables y elevadas, o en soportes en alto sólidos utilizando abrazaderas apropiadas para colgar. En todos los casos, utilice cables de seguridad. Obtenga el material de fijación apropiado de su proveedor de iluminación.

**Las disposiciones internacionales de seguridad láser precisan que los productos de láser se manejen de la forma mostrada a continuación, con una separación vertical mínima de 3 metros (9,8 pies) entre el suelo y la luz láser más baja. Además, se requiere una separación horizontal de 3 metros entre la luz láser y los espectadores u otros espacios públicos.**



**¡CUIDADO! EL USO DE CONTROLES, AJUSTES O PROCEDIMIENTOS DISTINTOS A LOS QUE SE ESPECIFICAN EN ESTE MANUAL DE USUARIO PUEDEN CAUSAR EXPOSICIÓN PELIGROSA A LA RADIACIÓN.**

## 4. FUNCIONAMIENTO

Este producto no está diseñado para un uso continuo. Asegúrese de que hace descansos regulares durante su funcionamiento para maximizar la vida de su láser. Desconecte siempre el Swarm™ FX de la alimentación cuando no lo use.

**Manejo del Panel de Control** Para acceder a las funciones del panel de control, use los cuatro botones ubicados bajo la pantalla. Cuando el producto esté encendido, el monitor LED de la parte posterior mostrará el modo de funcionamiento actual (independiente o DMX). El producto mantendrá la configuración guardada cuando se apagó la última vez.

Botón	Función
<FUNC>	Selecciona un modo de funcionamiento o regresa a la opción de menú actual
<UP>	Se desplaza hacia arriba por la lista de opciones o selecciona un valor más alto
<DOWN>	Se desplaza hacia abajo por la lista de opciones o selecciona un valor inferior
<ENTER>	Activa una opción de menú o valor seleccionado

### Mapa de Menú

Modo	Pasos de Programación	Descripción	
Modo DMX	001—506	Selecciona la dirección de inicio DMX	
Auto Rápido	AuF	rGb, r, G, b, rG, rb, Gb	Programa automático rápido
Auto Lento	AuS		Programa automático lento
Sonido	Sou		Programa Activo por sonido
Sensibilidad	S 0—S 9	Control de sensibilidad al sonido	
Aleatorio	rdN	Programa aleatorio	
Modo Esclavo	SLA	Modo Esclavo	
Control remoto	rEN	Mando a distancia inalámbrico	

**Configuración (DMX)** Configure el producto en modo DMX para controlarlo con un controlador DMX.

1. Conecte el producto a una toma de corriente adecuada.
2. Encienda el producto.
3. Conecte un cable DMX de la salida DMX del controlador DMX al conector de entrada DMX del producto.

**Dirección de Inicio** Cuando seleccione una dirección DMX de inicio, tenga en cuenta siempre el número de canales DMX que usa el modo seleccionado. Si escoge una dirección de inicio que es demasiado alta, podría estar restringiendo el acceso a alguno de los canales del producto.

El Scorpion™ Storm FX RGB usa hasta 7 canales DMX en modo DMX, lo cual define la dirección **506** como la más alta que se puede configurar.

Si no está familiarizado con el protocolo DMX, descargue el Manual DMX de [www.chauvetlighting.com](http://www.chauvetlighting.com).

Para seleccionar la dirección de inicio, haga lo siguiente:

1. Pulse <FUNC> repetidamente hasta que **001—506** parpadee en la pantalla.
2. Utilice <UP> o <DOWN> para seleccionar la dirección de inicio.
3. Pulse <ENTER> y la luz indicadora DMX se enciende.

## Modos de Canal, Asignaciones y Valores DMX

7-Canales	Canal	Función	Valor	Porcentaje/Configuración
	1	Funciones de Control	000 ó 050 051 ó 100 101 ó 150 151 ó 200 201 ó 255	ModoDMX Programa Automático, rápido Programa Automático, lento Programa Activo por sonido Programa aleatorio
	2	Selección de Color (con C. 1 entre 000–050)	000 ó 004 005 ó 015 016 ó 025 026 ó 035 036 ó 045 046 ó 055 056 ó 065 066 ó 075 076 ó 085 086 ó 095 096 ó 105 106 ó 115 116 ó 125 126 ó 135 136 ó 145 146 ó 155 156 ó 165 166 ó 175 176 ó 185 186 ó 195 196 ó 205 206 ó 215 216 ó 225 226 ó 255	Blackout Rojo Verde Azul Rojo + Verde Verde + Azul Azul + Rojo Rojo + Verde, Azul Rojo encendido, Estroboscopia verde Verde encendido, Estroboscopia azul Azul encendido, Estroboscopia rojo Rojo + Verde, estroboscopia alternativo Verde + Azul, estroboscopia alternativo Azul + Rojo, estroboscopia alternativo Rojo + Verde encendido, Estroboscopia azul Azul + Verde encendido, Estroboscopia rojo Rojo + Azul encendido, Estroboscopia verde Azul encendido, Verde + Estroboscopia rojo Rojo encendido, Verde + Estroboscopia azul Verde encendido, Rojo + Estroboscopia azul Azul encendido, Rojo + Estroboscopia alternativo verde Rojo encendido, Verde + Estroboscopia alternativo azul Verde encendido, Rojo + Estroboscopia alternativo azul Rojo + Verde + Estroboscopia alternativo azul
		Selección de Color (con C. 1 entre 051–200)	000 ó 036 037 ó 072 073 ó 108 109 ó 144 145 ó 180 181 ó 216 217 ó 255	Rojo Verde Azul Rojo + Verde Verde + Azul Azul + Rojo Rojo + Verde + Azul
	3	Estroboscopia	000 ó 004 005 ó 254 255	Sin función Estroboscopia, lento a rápido Estroboscopia Activo por Sonido
	4	Rotación (motor 1)	000 ó 004 005 ó 127 128 ó 133 134 ó 255	Sin rotación Rotación en sentido horario, lento a rápido Parada Rotación en el sentido anti-horario, lento a rápido
	5	Stutter (motor 1)	000 ó 004 005 ó 056 057 ó 112 113 ó 168 169 ó 255	Sin función Modo 1, lento a rápido (con C. 4 encendido) Modo 2, lento a rápido (con C. 4 encendido) Modo 3, lento a rápido Modo 4, lento a rápido
	6	Rotación (motor 2)	000 ó 004 005 ó 127 128 ó 133 134 ó 255	Sin rotación Rotación en sentido horario, lento a rápido Parada Rotación en el sentido anti-horario, lento a rápido
	7	Stutter (motor 2)	000 ó 004 005 ó 056 057 ó 112 113 ó 168 169 ó 255	Sin función Modo 1, lento a rápido (con C. 6 encendido) Modo 2, lento a rápido (con C. 6 encendido) Modo 3, lento a rápido Modo 4, lento a rápido



Para manejo manual de láseres usando el control DMX, asegúrese de que el Canal 1 está configurado en modo DMX (000–050). Cuando el Canal 1 es 051–255, Canales 3–7 no tienen ninguna función.

## Configuración (Independiente)

Configure el producto en uno de los modos independientes para controlarlo sin controlador DMX.

1. Conecte el producto a una toma de corriente adecuada.
2. Encienda el producto.



**Nunca conecte un producto que está funcionando en cualquier modo independiente (Estático, Auto o por Sonido) a una línea DMX conectada a un controlador DMX. Los productos en modo independiente pueden transmitir señales DMX que podrían interferir con las señales DMX del controlador.**

## Modo Sonido

Para seleccionar el programa Activo por Sonido, haga lo siguiente:

1. Pulse <FUNC> repetidamente hasta que **Sou** parpadee en la pantalla.
2. Pulse <ENTER>.
3. Utilice <UP> o <DOWN> para seleccionar el color o colores deseados..
4. Pulse <ENTER> y la luz indicadora de SONIDO se encenderá.

## Sensibilidad al Sonido

Para configurar la sensibilidad al sonido, siga las instrucciones siguientes:

1. Pulse <FUNC> repetidamente hasta que **S 0—S 9** parpadee en la pantalla.
2. Utilice <UP> o <DOWN> para seleccionar la sensibilidad al sonido deseada.
3. Pulse <ENTER>.



**El producto solo responderá a bajas frecuencias en la música (graves y percusión).**

**En Modo Sonido, el láser se quedará en blackout tras 3 segundos de silencio o con el sonido por debajo del nivel de sensibilidad configurado.**

## Modo Automático

Para habilitar el los programas automáticos, siga las instrucciones siguientes:

1. Pulse <FUNC> repetidamente hasta que **AuF** (programa automático rápido) o **AuS** (programa automático lento) parpadee en la pantalla.
2. Pulse <ENTER> para seleccionar el programa automático deseado.
3. Utilice <UP> o <DOWN> para seleccionar el color o colores deseados..
4. Pulse <ENTER>.

## Modo Maestro/Esclavo

El modo Maestro/Esclavo permite que un solo producto Scorpion™ Storm FX RGB (el "maestro"), controle las acciones de uno o más productos Scorpion™ Storm FX RGB (los "esclavos") sin necesidad de un controlador DMX. El maestro se configurará para funcionar bien en un programa automático bien en modo Sonido, mientras que los esclavos se configurarán para funcionar en modo Esclavo. Una vez configuradas y conectadas, las unidades esclavo funcionarán al unísono con la unidad maestro.

Configure las unidades como se indica a continuación.

### Unidades esclavo:

1. Pulse <FUNC> repetidamente hasta que aparezca **SLA** en la pantalla.
2. Pulse <ENTER>.
3. Conecte la entrada DMX de la primera unidad esclavo a la salida DMX de la unidad maestro.
4. Conecte la entrada DMX de las siguientes unidades esclavo a la salida DMX de la unidad esclavo precedente.
5. Termine de configurar y conectar todas las unidades esclavo.

### Unidad maestro:

1. Configure la unidad maestro para funcionar en un programa automático o en modo Sonido.
2. Ponga la unidad maestro como la primera unidad de la cascada DMX.

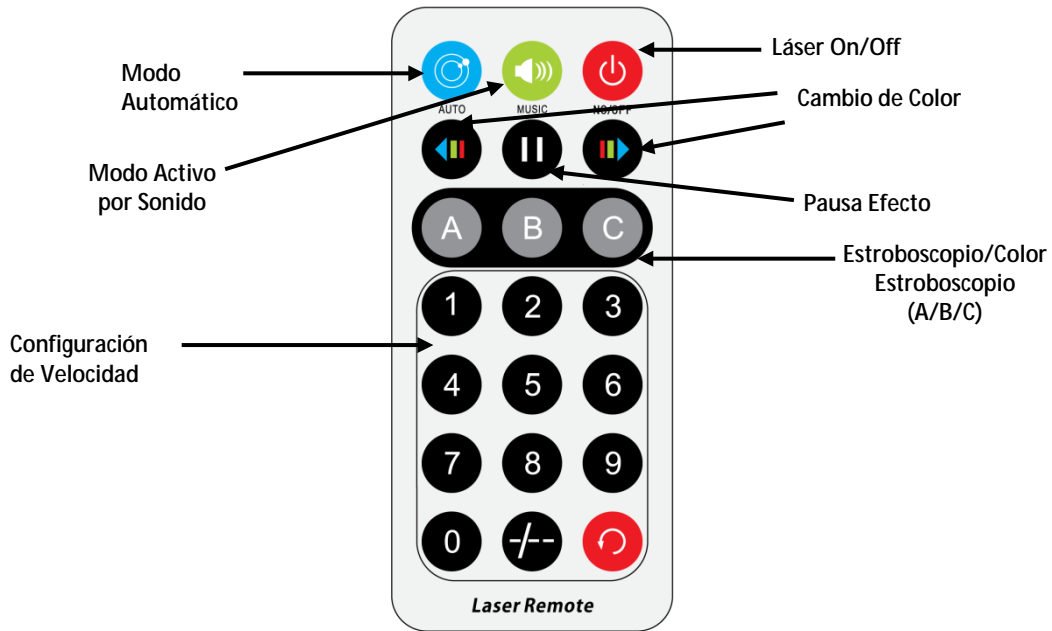
• **Configure todas las unidades esclavo antes de conectar la unidad maestro a la cascada DMX.**



• **Nunca conecte un controlador DMX a una línea DMX configurada para funcionamiento Maestro/Esclavo, porque el controlador puede interferir con las señales de la unidad maestro.**

• **No conecte más de 31 unidades esclavo a la unidad maestro.**

## Control Remoto



Botón	Función	Descripción
	<b>ON/OFF</b>	Mantenga pulsado 3 segundos para activar o activar el modo remoto
	<b>Modo Automático</b>	El láser funciona con los programas automáticos integrados
	<b>Modo Activo por Sonido</b>	El LED Indicador de Sonido parpadea cuando detecta sonido
	<b>Sensibilidad al Sonido</b>	En modo Activo por Sonido, pulse <MUSIC> + <B> + <1> (menor sensibilidad) a <9> (mayor sensibilidad) para ajustar la sensibilidad
	<b>Cambio de Color</b>	Selecciona el color del láser: Rojo>Verde>Azul>R&V>V&A>A&R>RGB
	<b>Estroboscopio</b>	Pulse <A> (Rojo), <B> (Verde), o <C> (Azul), y luego <0> a <9>
	<b>Configuración de Velocidad</b>	Los botones numéricos del <1> al <9> controlan el Estroboscopio



**Nota:** Cualquier control o configuración en el mando a distancia por IR se guardará hasta que se reinicie el sistema. El sistema regresará al Modo Automático después del reinicio.

---

## 5. INFORMACIÓN TÉCNICA

### **Mantenimiento del Producto**

El polvo acumulado reduce el rendimiento de la salida de luz y puede provocar sobrecalentamiento. Para mantener un rendimiento óptimo, limpie el producto al menos dos veces al mes.

Sin embargo, el uso y las condiciones ambientales influyen para un aumento de la frecuencia de limpieza.

Para limpiar el producto, siga las instrucciones siguientes:

1. Desenchufe el producto de la alimentación.
2. Espere a que el producto esté a temperatura ambiente.
3. Use un aspirador (o aire seco comprimido) y un cepillo suave para quitar el polvo depositado en las superficies externas y los orificios de aireación de los ventiladores.
4. Limpie el panel de cristal (apertura del láser) con una solución suave de limpiador de cristales o alcohol isopropílico.
5. Aplique la solución directamente sobre un paño suave que no deje pelusa o un paño de limpiar lentes.
6. Con suavidad, quite todo el polvo o suciedad de los bordes externos del cristal.
7. Con cuidado, frote la superficie hasta que no quede turbiedad ni pelusas.



**Seque siempre con cuidado las superficies de cristal después de limpiarlas.**



**No gire el ventilador usando aire comprimido, puesto que podría estropearlo.  
NO abra este producto para limpiarlo o repararlo.**



## 6. ESPECIFICACIONES TÉCNICAS

<b>Dimensiones y Peso</b>	<b>Largo</b>	<b>Ancho</b>	<b>Alto</b>	<b>Peso</b>
	9,1 in (232 mm)	7,6 in (194 mm)	7,5 in (191 mm)	3,8 lb (1,7 kg)
<b>Nota:</b> Las dimensiones en pulgadas están redondeadas al dígito decimal más próximo.				
<b>Alimentación</b>	<b>Tensión de Entrada</b>	<b>Rango</b>		<b>Selección de Tensión</b>
	Conmutación (interna)	100 a 240 VCA, 50/60 Hz		Detección automática (autorango)
	<b>Parámetro</b>	<b>120 V, 60 Hz</b>		<b>230 V, 50 Hz</b>
	Consumo	26 W		31 W
	Corriente de funcionamiento	0,24 A		0,14 A
	Intensidad de alimentación en cadena (unidades)	8 A (33 unidades)		8 A (55 unidades)
	Fusible	T 1 A, 250 V		T 1 A, 250 V
	<b>E/S Alimentación</b>	<b>US/Mundial</b>		<b>UK/Europa</b>
	Conector de entrada de alimentación	IEC		IEC
	Conector de salida de alimentación	Edison		IEC
Enchufe de cable de alimentación	Edison (US)		Enchufe local	
<b>Fuente de Luz</b>	<b>Tipo</b>	<b>Alimentación</b>	<b>Longitud de onda</b>	
	Láser (rojo)	100 mW	650 nm	
	Láser (verde)	40 mW	532 nm	
	Láser (azul)	100 mW	450 nm	
<b>Óptica Foto</b>	<b>Parámetro</b>			
	Ángulo de cobertura	100°		
<b>Térmicas</b>	<b>Temp. externa máxima del láser</b>	<b>Sistema de Refrigeración</b>		
	95 °F (35 °C)	Por ventilador		
<b>DMX</b>	<b>Conectores E/S</b>	<b>Tipo de Conector</b>	<b>Rango de Canal</b>	
	XLR 3 pines	Conectores	7	
<b>Pedidos</b>	<b>Nombre de Producto</b>	<b>Código de pieza</b>	<b>Código UPC</b>	
	Scorpion™ Storm FX RGB	10060766	781462211141	



---

## DEVOLUCIONES

En caso de que necesite asistencia o devolver un producto:

- Si se encuentra en EE. UU., póngase en contacto con la Oficina Central de Chauvet
- Si se encuentra en el Reino Unido o Irlanda, póngase en contacto con Chauvet Europe Ltd.
- Si se encuentra en México, póngase en contacto con Chauvet Mexico.
- Si usted vive en el Benelux, póngase en contacto Chauvet Europa BVBA.
- Si se encuentra en cualquier otro país, NO contacte con Chauvet. Contacte con su distribuidor local. Vea [www.chauvetlighting.com](http://www.chauvetlighting.com) para distribuidores fuera de EE.UU., Reino Unido, Benelux, Irlanda o México.



**Si vive fuera de los EE.UU., Reino Unido, Irlanda o México, póngase en contacto con su distribuidor de registro y siga sus instrucciones sobre cómo devolver los productos CHAUVET®. Visite [www.chauvetlighting.com](http://www.chauvetlighting.com) para detalles de contacto.**

Llame a la oficina de Asistencia Técnica Chauvet correspondiente y pida un número de Autorización de Devolución de la mercancía (RMA) antes de enviar el producto. Esté preparado para proporcionar el número de modelo, número de serie y una breve descripción de la causa de la devolución.

Debe enviar la mercancía a portes pagados, en su caja original y con su embalaje y accesorios originales. CHAUVET® no expedirá etiquetas de devolución.

Etiquete el paquete claramente con el número de RMA. Chauvet rechazará cualquier producto devuelto sin un número de RMA.



**Escriba el número de RMA en una etiqueta convenientemente adherida. NO escriba el número de RMA directamente sobre la caja.**

Antes de enviar el producto, escriba claramente la siguiente información en una hoja de papel y colóquela dentro de la caja:

- Su nombre
- Su dirección
- Su número de teléfono
- Número de RMA
- Una breve descripción del problema

Asegúrese de que empaqueta el producto adecuadamente. Cualquier daño en el transporte que resulte de un empaquetado inadecuado será responsabilidad suya. Se recomienda empaquetado FedEx o de doble caja.



**Chauvet se reserva el derecho de usar su propio criterio para reparar o reemplazar productos devueltos.**

---

# CONTACTO

## OFICINA CENTRAL - Chauvet

### Información general

Dirección: 5200 NW 108th Avenue  
Sunrise, FL 33351

Voz: (954) 577-4455

Fax: (954) 929-5560

Número gratuito: (800) 762-1084

### Servicio Técnico

Voz: (954) 577-4455 (Marque 4)

Fax: (954) 756-8015

Email: [tech@chauvetlighting.com](mailto:tech@chauvetlighting.com)

### World Wide Web

[www.chauvetlighting.com](http://www.chauvetlighting.com)

## REINO UNIDO E IRLANDA - Chauvet Europe Ltd.

### Información general

Dirección: Unit 1C  
Brookhill Road Industrial Estate  
Pinxton, Nottingham, UK  
NG16 6NT

Voz: +44 (0)1773 511115

Fax: +44 (0)1773 511110

### Servicio Técnico

Email: [uktech@chauvetlighting.com](mailto:uktech@chauvetlighting.com)

### World Wide Web

[www.chauvetlighting.co.uk](http://www.chauvetlighting.co.uk)

## MÉXICO - Chauvet México

### Información general

Dirección: Av. Santa Ana 30  
Parque Industrial Lerma  
Lerma, México C.P. 52000

Voz: +52 (728) 285-5000

### Servicio Técnico

Email: [servicio@chauvet.com.mx](mailto:servicio@chauvet.com.mx)

### World Wide Web

[www.chauvet.com.mx](http://www.chauvet.com.mx)

## CHAUVET EUROPA - Chauvet Europe BVBA

### Información general

Dirección: Stokstraat 18  
9770 Kruishoutem  
Bélgica

Voz: +32 9 388 93 97

### Servicio Técnico

Email: [Eutech@chauvetlighting.eu](mailto:Eutech@chauvetlighting.eu)

### World Wide Web

[www.chauvetlighting.eu](http://www.chauvetlighting.eu)

Fuera de EE. UU., Reino Unido, Irlanda, México o Benelux, póngase en contacto con su proveedor. Siga sus instrucciones para pedir soporte o para devolver un producto. Visite [www.chauvetlighting.com](http://www.chauvetlighting.com) para detalles de contacto.

# 1. AVANT DE COMMENCER

## Ce Qui est Compris

- Scorpion™ Storm FX RGB
- Cordon d'Alimentation
- Une Télécommande à Infrarouge
- Une Fiche de Garantie
- Un Manuel d'Utilisation

## Instructions Relatives au Déballage

Déballer l'appareil avec précaution et vérifiez le contenu afin de vous assurer que rien ne vous manque et que tout est en bon état.

## Réclamations




Si l'emballage ou le contenu (l'appareil et ses accessoires compris) semble avoir été endommagé pendant le transport, ou s'il présente des signes de manipulation sans précaution, veuillez dès réception en notifier immédiatement le transporteur et non Chauvet. Ne pas enregistrer votre réclamation auprès du transporteur en temps et en heure peut entraîner une non validation de celle-ci. De plus, gardez l'emballage et tous les matériaux d'emballage pour inspection.

Pour tout autre problème comme la non-livraison de pièces ou composants, des dommages non en rapport avec la livraison ou des vices cachés, veuillez déposer votre réclamation auprès de Chauvet dans les 7 jours suivant la livraison.

## Conventions de ce Manuel

Convention	Signification
1—512	Une plage de valeurs
50/60	Un ensemble de valeurs parmi lequel on ne peut en choisir qu'une
<b>Settings</b>	Une option de menu ne pouvant être modifiée
<b>Menu &gt; Settings</b>	Une séquence d'options de menu à suivre
<b>&lt;ENTER&gt;</b>	Un bouton sur lequel appuyer sur le panneau de commande de l'appareil
<b>ON</b>	Une valeur à saisir ou à sélectionner

## Symboles

Symbole	Signification
	Consignes importantes en matière d'installation, de configuration et de fonctionnement. Le non-respect de ces consignes peut entraîner le non-fonctionnement de l'appareil ou lui causer des dommages. De même, l'utilisateur peut s'en trouver affecté.
	Consignes importantes en matière d'installation ou de configuration. Le produit peut ne pas fonctionner correctement si ces instructions ne sont pas suivies.
	Informations utiles

## Clause de Non-Responsabilité

Les informations et caractéristiques contenues dans ce manuel sont sujettes à changement sans préavis. Chauvet ne saura être tenu responsable pour toute erreur ou omission pouvant être contenue dans ce manuel. De plus Chauvet se réserve le droit de revoir ou réécrire ce manuel à tout moment. Téléchargez la dernière version de ce manuel sur [www.chauvetlighting.com](http://www.chauvetlighting.com).

© Copyright 2015 Chauvet. Tous droits réservés.

Imprimé en République Populaire de Chine

Publié électroniquement par Chauvet aux États-Unis.

Auteur	Date	Éditeur	Date
R. Isenstadt	27/02/15	D. Coupe	29/04/15

## Consignes de Sécurité

Ce manuel d'utilisation reprend d'importantes informations en matière de consignes de sécurité des lasers. Lisez et assimilez ces consignes avant de mettre votre unité sous tension pour la première fois. Connaître ces consignes de sécurité est essentiel car vous éviterez ainsi des blessures oculaires et ne vous trouverez pas en infraction avec la loi. Gardez ce manuel dans un endroit sûr pour référence future.



### LISEZ ET ASSIMILEZ IMPÉRATIVEMENT TOUTES LES CONSIGNES DE SÉCURITÉ EN MATIÈRE DE LASER



- Les lasers peuvent s'avérer dangereux et font l'objet de consignes de sécurité spécifiques. Une mauvaise utilisation des lasers pourrait entraîner une cécité totale ou causer des lésions oculaires. Portez une attention particulière aux libellés portant la mention **AVERTISSEMENT** ou **REMARQUE** dans ce manuel d'utilisation. Lisez et assimilez toutes les consignes **AVANT** de mettre cet appareil en marche pour la première fois.
- Connectez toujours l'appareil à un circuit relié à la terre afin d'éviter tout risque d'électrocution.
- Déconnectez toujours de l'alimentation principale avant de procéder à tout entretien ou remplacement du fusible.
- Évitez tout contact visuel direct avec la source lumineuse quand cet appareil est en marche
- Assurez-vous que le cordon d'alimentation n'est ni tordu ni endommagé.
- Ne débranchez jamais cet appareil en tirant sur le cordon.
- Si vous installez l'appareil en hauteur, utilisez impérativement une élingue de sécurité pour le sécuriser au dispositif de fixation.
- Ne laissez aucun produit inflammable dans un rayon de 50 cm de l'appareil lorsque celui-ci fonctionne.
- Ne touchez pas cet appareil lors de son fonctionnement car il pourrait s'avérer brûlant.



- **Cet appareil n'est pas conçu pour être utilisé dans une installation permanente.**
- Veillez toujours à ce que la tension de la prise à laquelle vous branchez l'appareil soit comprise dans la plage indiquée sur l'étiquette ou à l'arrière de l'appareil.
- Cet appareil doit être utilisé en intérieur uniquement ! (IP20). Afin d'éviter tout risque d'incendie ou décharge électrique, veillez à n'exposer cet appareil ni à la pluie ni à l'humidité.
- Installez toujours cet appareil dans un endroit bien ventilé, à au moins 20 pouces (50 cm) des surfaces adjacentes.
- Assurez-vous qu'aucune fente de ventilation sur le boîtier de l'appareil ne soit obstruée.
- Ne connectez jamais cet appareil à un gradateur.
- Assurez-vous de remplacer le fusible par un autre du même type.
- Transportez ce produit uniquement au moyen de la poignée dont il est doté.
- Mettre l'appareil hors/sous tension à de brefs intervalles est fortement déconseillé. La durée de vie de la diode laser s'en trouverait fortement réduite.
- Ne secouez pas l'appareil. Évitez tout geste brusque lors de l'installation ou de l'utilisation de l'appareil.
- Utilisez **TOUJOURS** un câble de sécurité lorsque vous montez cet appareil en hauteur.
- La plage de température ambiante de fonctionnement pour le laser est de 15 °C à 35 °C (59 °F à 95 °F). Ne faites pas fonctionner cet appareil à des températures en dehors de cette plage.
- En cas de sérieux problèmes de fonctionnement, arrêtez le système immédiatement.
- N'essayez jamais de réparer cet appareil. Toute réparation effectuée par une personne non qualifiée peut entraîner des dommages ou un fonctionnement erratique de l'appareil. Mettez-vous en relation avec le centre d'assistance technique autorisé le plus près de chez vous.
- Durant les périodes de non-utilisation, pour éviter toute usure inutile et pour prolonger la durée de vie, déconnectez-entièrement l'appareil en le débranchant de l'alimentation électrique ou en coupant le disjoncteur.



- Lumière laser : évitez tout contact direct avec les yeux ! N'exposez jamais intentionnellement directement vos yeux ou ceux d'autres personnes à la lumière du laser.
- Cet appareil laser peut entraîner une cécité totale ou causer des lésions oculaires instantanées si le laser entre en contact direct avec les yeux.
- Il est illégal et dangereux de diriger ce laser vers les zones destinées au public, zones où les yeux des membres du public ou du personnel pourraient être en contact direct avec les rayons laser ou des réfléchissements lumineux.
- Ne pointez pas de laser sur les avions, ceci est répréhensible par la loi.
- L'utilisation des commandes, réglages ou procédures autres que celles spécifiées ci-après peut entraîner de dangereuses expositions à des radiations.
- N'essayez JAMAIS de réparer l'appareil vous-même. Les réparations et entretiens doivent être effectués par un technicien agréé. **Toute modification non autorisée apportée à l'appareil est strictement interdite pour raison de sécurité !**



- Conservez ce manuel d'utilisation pour référence future. Si vous étiez amené à vendre cet appareil à un autre utilisateur, veuillez à lui remettre ce manuel également.

### **Avertissement : Boîtier non Verrouillable**

- Cet appareil renferme un laser très puissant.
- N'ouvrez jamais le boîtier du laser, vous pourriez être exposé à des niveaux dangereux de radiation laser.
- L'intensité du laser à l'ouverture du boîtier peut entraîner instantanément une cécité, des brûlures cutanées ou des incendies.

### **Consignes de Sécurité Relatives au Laser**



### **PRENEZ LE TEMPS DE LIRE ET ASSIMILEZ LES CONSIGNES DE SÉCURITÉ RELATIVES AU LASER CI-DESSOUS**



La source de lumière émise d'un laser est très différente de toute autre source de lumière. La lumière émise par cet appareil peut entraîner des lésions oculaires si celui-ci n'est pas correctement installé et utilisé. La lumière d'un laser est des milliers de fois plus concentrée que toute autre source lumineuse. Cette concentration de lumière peut causer des blessures oculaires instantanées, essentiellement par une brûlure de la rétine (l'arrière de votre œil contient des cellules extrêmement sensibles à la lumière). Même si vous ne ressentez pas de « chaleur » provenant du faisceau lumineux, il peut quand même être à l'origine de blessure ou de cécité, pour vous ou votre public. Une faible radiation en provenance du faisceau lumineux du laser peut s'avérer potentiellement dangereuse, même à de longues distances. Des blessures oculaires dues au laser peuvent survenir avant même que vous n'ayez eu le temps de cligner des yeux.

Il serait **ERRONÉ** de croire que puisque les appareils laser destinés au divertissement divisent le faisceau en centaines de faisceaux et que les faisceaux laser sont balayés rapidement, un faisceau laser individuel est sans danger pour les yeux. Ce laser utilise des dizaines de milliwatts de puissance (niveaux internes de classe 3B) avant de se diviser en de multiples faisceaux (niveaux de classe 3R). De nombreux faisceaux individuels sont potentiellement dangereux pour les yeux.

Il serait également **ERRONÉ** de croire que puisque la lumière laser est mobile, elle est inoffensive. L'utilisation des lasers ne se fait jamais sans risque. De plus, gardez à l'esprit que celle-ci n'est pas toujours mobile. Puisque les blessures oculaires peuvent apparaître instantanément, il est indispensable d'empêcher LA MOINDRE exposition directe des yeux. Selon la réglementation de sécurité relative aux lasers, il est interdit de diriger des lasers de classe 3R là où le public pourrait être en contact avec ces faisceaux. Ceci est également valable s'ils sont dirigés en-dessous du visage des gens, comme sur une piste de danse.

- Ne faites pas fonctionner le laser avant d'avoir lu et compris toutes les données techniques et de sécurité contenues dans ce manuel.
- **Veillez TOUJOURS configurer et installer les effets laser de manière à ce que leur lumière soit projetée à minimum 3 mètres (9,8 pieds) au-dessus du sol sur lequel les gens se tiennent. Référez-vous à la section [Utilisation Adéquate](#) de ce manuel.**
- Après installation et avant utilisation publique, veuillez tester le laser afin de vous assurer de son bon fonctionnement. Ne l'utilisez pas si vous détectez un défaut.
- **NE l'utilisez PAS** non plus si le laser émet uniquement un ou deux faisceaux au lieu de dizaines ou de centaines, car cela pourrait endommager votre diffraction optique et permettre l'émission de niveaux de laser plus élevés que de classe R.
- **NE pointez PAS** le laser sur les gens ou les animaux.
- Ne regardez jamais l'ouverture ou les faisceaux laser.
- **NE pointez PAS** de lasers dans les endroits où les gens pourraient potentiellement y être exposés, tels que les balcons, etc.
- **NE pointez PAS** de laser sur des surfaces hautement réfléchissantes, telles que les fenêtres, les miroirs ou du métal réverbérant. Même les reflets des lasers peuvent être dangereux.
- Ne pointez pas de laser sur les avions, ceci est répréhensible par la loi.
- Ne pointez pas des faisceaux de laser très longue portée dans le ciel.
- N'exposez pas la sortie optique (ouverture) à des produits chimiques corrosifs.
- N'utilisez pas le laser si le boîtier est endommagé, ouvert, ou si l'optique semble endommagée en quoique ce soit.
- N'ouvrez pas le boîtier du laser. La forte intensité du laser à l'intérieur du boîtier de protection peut entraîner des incendies, des brûlures corporelles ou des blessures oculaires instantanées.
- Ne laissez jamais l'appareil fonctionner sans surveillance.
- Le fonctionnement d'appareils laser de classe 3R n'est autorisé que s'il est contrôlé par un utilisateur expérimenté et adéquatement formé, ayant assimilé les données présentées dans ce manuel.
- Les obligations légales d'utilisation des produits laser pour les loisirs varient de pays en pays. L'utilisateur est tenu de respecter les obligations légales du pays/de la salle dans lequel il l'utilise.

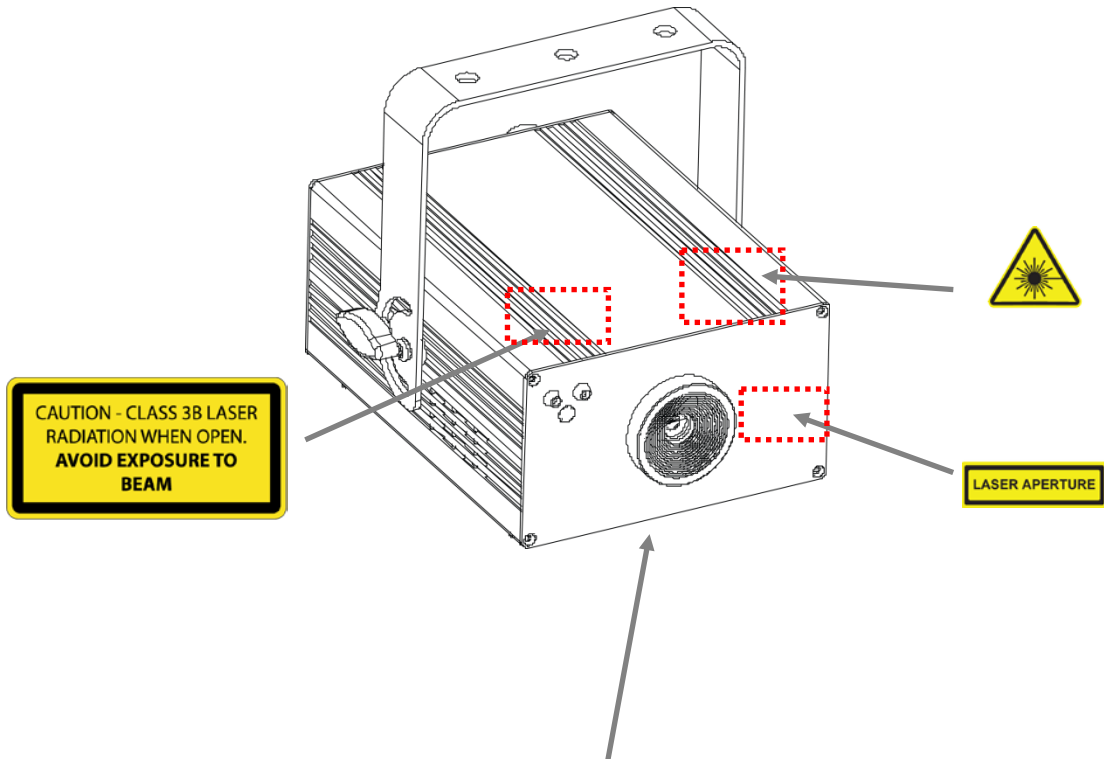





**ATTENTION : n'utilisez PAS cet appareil de manière non indiquée dans ce manuel d'utilisateur. Le non-respect des instructions entraînera l'annulation de la garantie et peut également endommager l'appareil ou causer des blessures aussi bien à l'utilisateur qu'au public.**



**ATTENTION : vous ne pouvez disposer de cet appareil avec les déchets ménagers. Prenez contact avec votre service régional de gestion des déchets pour connaître les procédures de recyclage des appareils électroniques de votre zone.**

# Reproductions des Etiquettes en Matière de Sécurité des Appareils Laser



 <p><b>LASER LIGHT</b>  <b>AVOID DIRECT EYE EXPOSURE</b>  <b>CLASS 3R LASER PRODUCT</b>          100 mW, 650 nm / 40 mW, 532 nm / 100 mW, 450 nm          Classified per EN/IEC 60825-1:2007</p>	
<p><b>CHAUVET WORLDWIDE HEADQUARTERS</b>          SUNRISE, FLORIDA USA</p>	
<p><b>CHAUVET</b>  </p>	
<p>MODEL: Scorpion™ Storm FX RGB          ITEM CODE: 10060766          FUSE: T 1 A, 250 V          MAX. OUTPUT CURRENT: 8 A (33 units @ 120 V)          (55 units @ 230 V)          LIGHT SOURCE: LASER          ORIGIN: MADE IN P.R.C.</p>	<p>THIS APPLIANCE MUST BE GROUNDED          USE ONLY FUSE OF SAME TYPE &amp; RATING          NOT FOR HOUSEHOLD USE          IMPROPRE A L'USAGE DOMESTIQUE          DRY LOCATIONS          EMPLACEMENTS SECS          DISCONNECT POWER BEFORE SERVICING</p>
<p>USA/CANADA          Power: AC 100-125 V, 60 Hz          0.24 A, 26 W</p>	<p>WORLDWIDE          Power: AC 100-240 V, 50 Hz          0.14 A, 31 W</p>



**Avertissement  
d'Exposition au  
Laser**



**LUMIÈRE LASER, ÉVITEZ L'EXPOSITION DIRECTE AVEC LES YEUX**

Des lignes directrices et programmes de sécurité supplémentaires pour une utilisation des lasers en toute sécurité peuvent être consultés dans le texte de la norme ANSI Z136.1 "For Safe Use of Lasers" ("Pour une utilisation des lasers en toute sécurité"), disponible sur le site [www.laserinstitute.org](http://www.laserinstitute.org) du Laser Institute of America. Une multitude de gouvernements, grandes entreprises, agences, forces armées et autres, exige que les utilisateurs d'appareils laser suivent les lignes directrices de la norme ANSI Z136.1. Le guide des spectacles laser peut être obtenu auprès de l'International Laser Display Association (l'association internationale du spectacle laser) sur leur site [www.laserist.org](http://www.laserist.org).

**Données d'Emission Laser**

Classification du Laser	Classe 3R
Laser Rouge	LD GaAlAs, 650 nm/100 mW
Laser Vert	DPSS Nd:YVO4, 532 nm/40 mW
Laser Bleu	LD GaAlAs 450 nm/100 mW
Diamètre de Faisceau	<5 mm à l'ouverture
Données d'Impulsion	Toute impulsion < 4 Hz (>0.25 s)
Divergence (chaque faisceau)	<2 mrad
Divergence (éclairage dans son ensemble)	<160 °
Puissance de laser de chacune Faisceau depuis ouverture *	<5 mW

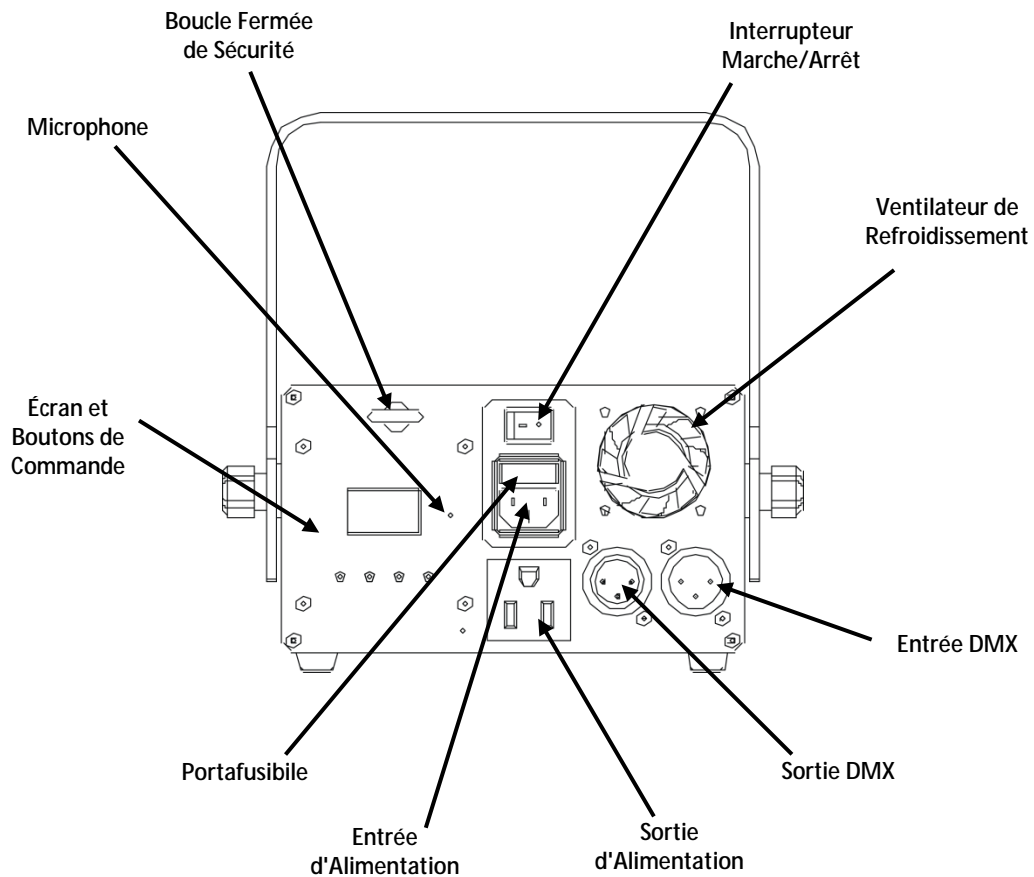
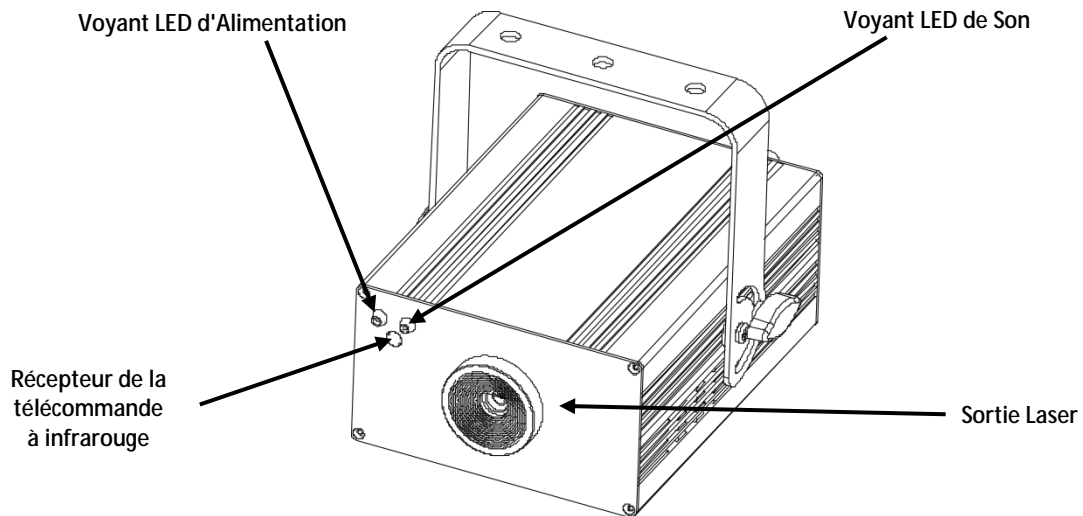
\* Comme mesuré selon les conditions de mesure CEI pour la classification.

**Déclaration de  
Conformité du  
Laser**

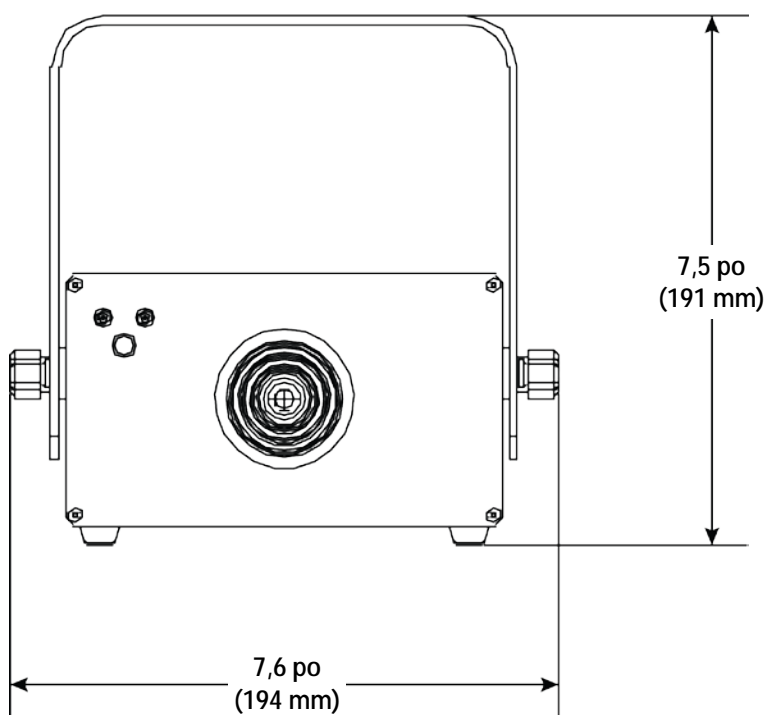
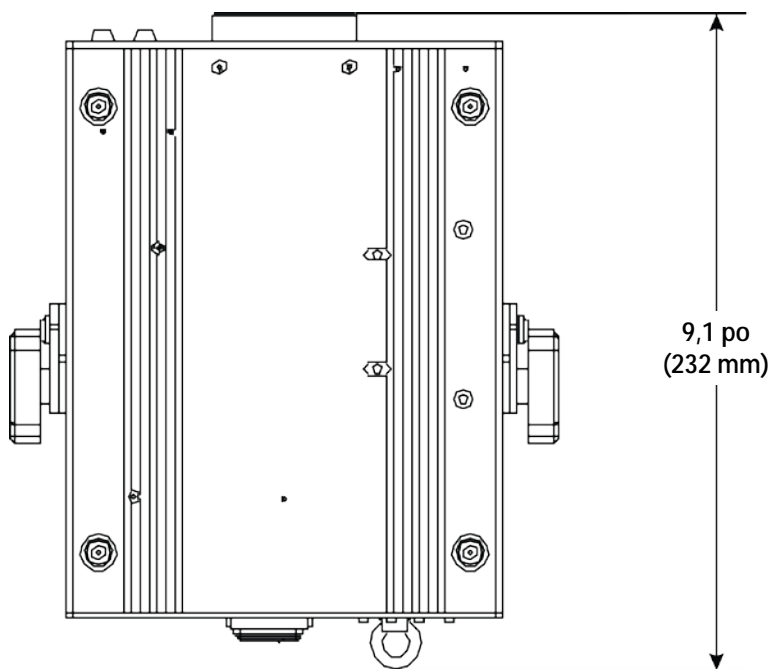
Cet appareil laser répond aux normes EN/CEI 60825-1 Ed 2, 2007-03 et US FDA/CDRH FLPPS selon les termes de la notice de laser n°50 en date du 24 juin 2007. Cet appareil laser est classé 3R. (La classe 3R est la classe équivalant à la classe IIIa aux États-Unis). Aucune maintenance n'est nécessaire pour le maintien de la conformité aux normes de performance laser de cet appareil.

## 2. INTRODUCTION

### Aperçu



## Dimensions



## 3. CONFIGURATION

### Alimentation CA

El Scorpion™ Storm FX RGB est doté d'une alimentation universelle prenant en charge toute tension d'entrée comprise entre 100 et 240 VCA, 50/60 Hz.

Pour déterminer les exigences en puissance de votre appareil (court-circuit, prise d'alimentation et câblage), consultez la valeur reprise sur l'étiquette apposée sur le panneau arrière du produit ou référez-vous aux [Spécificités Techniques](#). La capacité nominale affichée indique la consommation courante de l'appareil dans des conditions normales d'utilisation.



- **Connectez toujours l'appareil à un circuit protégé (disjoncteur ou fusible). Assurez-vous que l'appareil soit correctement relié à la terre afin d'éviter tout risque d'électrocution ou d'incendie.**
- **Durant les périodes de non-utilisation, pour éviter toute usure inutile et pour prolonger la durée de vie, déconnectez-entièrement l'appareil en le débranchant de l'alimentation électrique ou en coupant le disjoncteur.**



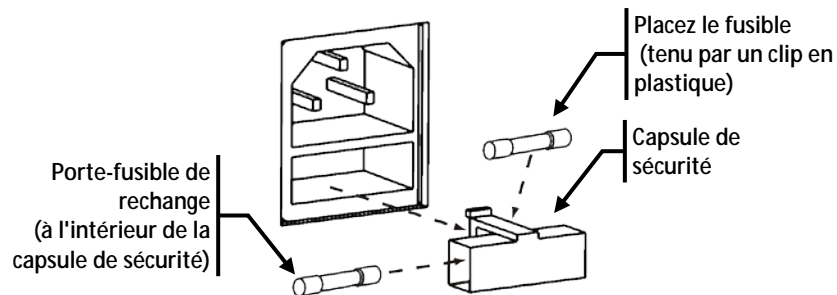
**Ne connectez jamais l'appareil à un rhéostat (résistance variable) ou un circuit voileur, même si vous n'avez l'intention de vous servir du rhéostat ou canal de gradation que comme interrupteur 0 à 100 %.**

### Remplacement du Fusible



**Débranchez l'appareil avant de procéder au remplacement du fusible.**

1. Débranchez l'appareil de l'alimentation.
2. Insérez et calez la pointe d'un tournevis à tête plate dans la fente du porte-fusible.
3. En faisant levier, faites-le sortir de son emplacement.
4. Retirez le fusible obsolète du porte-fusible.
5. Remplacez le fusible avec un de même type et même ampérage.
6. Insérez à nouveau le porte-fusible à sa place et rebranchez l'appareil.



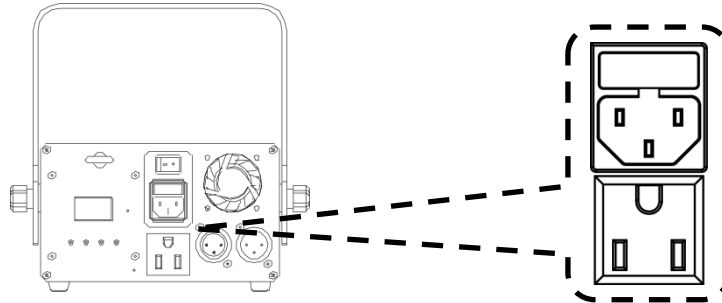
**Aucun fusible de rechange n'est inclus, toutefois, il existe un compartiment dans la capsule de sécurité pour en placer un.**



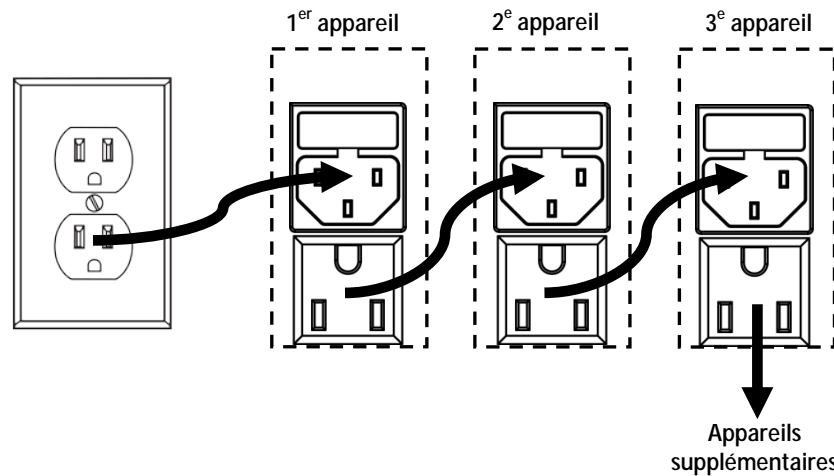
**Remplacez toujours un fusible obsolète avec un de même type et même ampérage.**

## Connexion Électrique

Il est possible de relier l'appareil électriquement à d'autres au moyen de la prise CEI située à l'arrière de celui-ci.



## Diagramme de Raccordement d'Alimentation



**Vous pouvez raccorder jusqu'à 33 Scorpion™ Storm FX RGB en 120 VCA et jusqu'à 55 Scorpion™ Storm FX RGB en 230 VCA.**

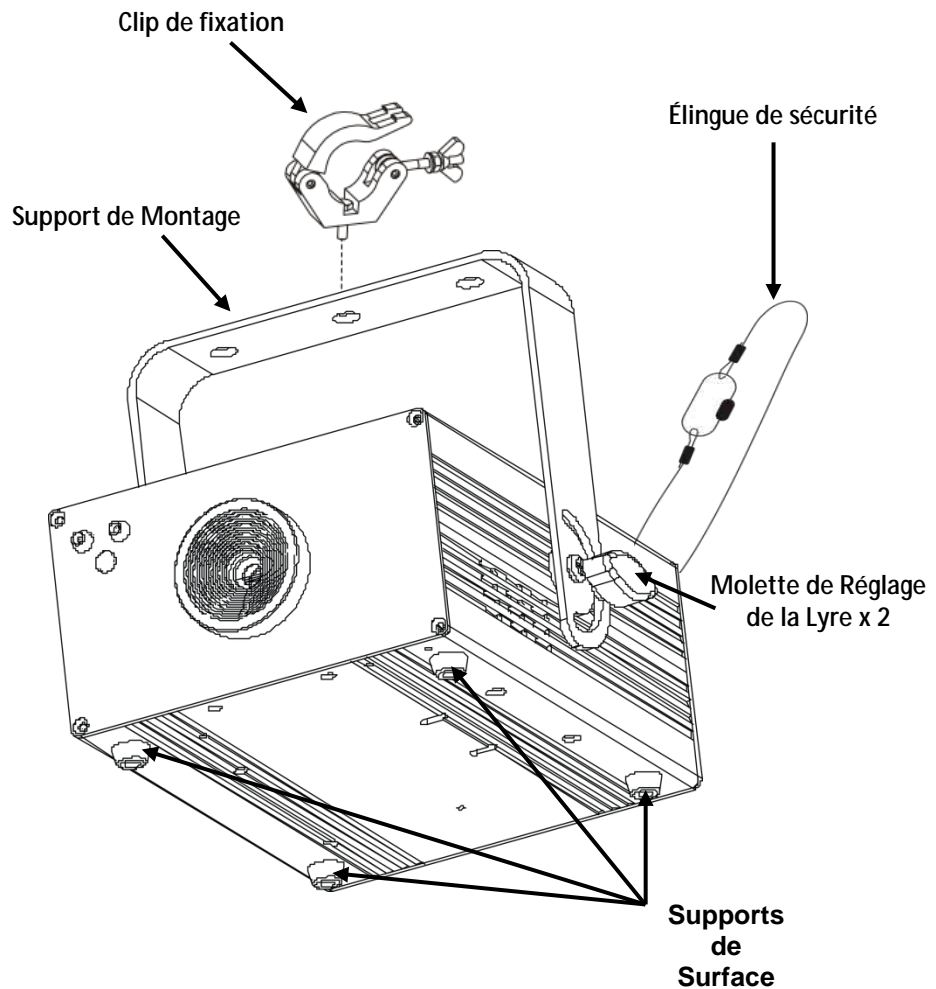


**Le schéma de raccordement d'alimentation ci-dessus correspond UNIQUEMENT à la version américaine de cet appareil ! Si vous utilisez un appareil en dehors des États-Unis, consultez impérativement votre revendeur local Chauvet car il se pourrait que les connecteurs et exigences de raccordement varient d'un pays ou d'une région à l'autre.**

**Installation** Avant d'installer ce produit, lisez, assimilez et suivez les recommandations en matière de sécurité reprises dans la section [Consignes de Sécurité](#).

**Orientation** Le Scorpion™ Storm FX RGB doit être monté de manière à garantir l'usage en toute sécurité du laser. Assurez-vous que la ventilation de cet appareil puisse s'effectuer de manière adéquate.

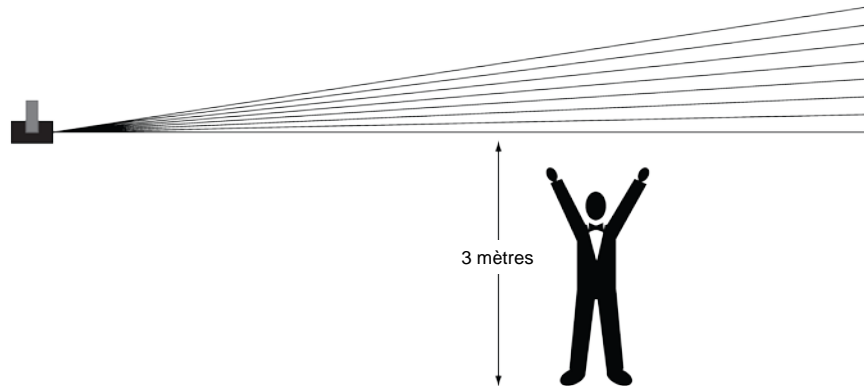
- Suspension**
- Avant de choisir un emplacement pour l'appareil, assurez-vous qu'il soit facile d'y accéder pour toute opération de maintenance et de programmation.
  - Assurez-vous que la structure ou la surface sur laquelle vous installez l'appareil peut en supporter le poids (voir les [Spécificités Techniques](#)).
  - Utilisez toujours un câble de sécurité lorsque vous montez cet appareil en hauteur. Garantissez un montage en toute sécurité de l'appareil en le reliant à un point de fixation, comme une plateforme en hauteur ou une structure.
  - Lors de la suspension de l'appareil à une structure, vous devriez utiliser un clip de fixation en mesure de supporter la charge nécessaire. La lyre comporte un orifice de 13 mm à cet effet.
  - Les molettes de réglage de la fixation permettent d'ajuster la position de l'appareil lors de son positionnement à l'angle désiré. N'utilisez aucun outil pour relâcher ou resserrer les molettes de la fixation. En utiliser pourrait endommager les molettes.



## Utilisation Adéquate

Cet appareil doit être monté en hauteur uniquement. Pour des raisons de sécurité, Chauvet recommande de monter vos éclairages sur une plateforme élevée stable ou des supports en hauteur renforcés au moyen de systèmes de suspension adéquats. Vous devez, dans tous les cas, utiliser des élingues de sécurité. Le matériel de montage approprié peut être acquis auprès de votre revendeur d'éclairage.

**Les réglementations internationales en matière de sécurité des appareils laser exigent que ceux-ci soient installés de manière à ce qu'un minimum de 3 mètres de séparation à la verticale existe entre le sol et la lumière laser la plus basse projetée. De plus, une séparation de 3 mètres à l'horizontal doit être respectée entre toute lumière laser émise et les membres du public ou autres espaces publics.**



**ATTENTION : L'UTILISATION DES COMMANDES, REGLAGES OU PROCEDURES AUTRES QUE CELLES SPECIFIEES DANS CE MANUEL D'UTILISATION PEUT ENTRAINER DE DANGEREUSES EXPOSITIONS A DES RADIATIONS.**

## 4. FONCTIONNEMENT

Cet appareil ne doit pas fonctionner de manière continue. Afin de maximiser la durée de vie de votre laser, veillez à le mettre en pause régulièrement. Débranchez toujours le Swarm™ FX quand il n'est pas utilisé.

**Fonctionnement du Panneau de Commande** Pour accéder aux fonctions du panneau de commande, utilisez les quatre boutons situés sous l'écran. Quand l'appareil est sous tension, le voyant LED sur le panneau arrière indiquera le mode de fonctionnement sélectionné (autonome ou DMX). Au moment d'éteindre l'appareil, seront enregistrées les dernières configurations enregistrées.

Bouton	Fonction
<FUNC>	Sélection d'un mode de fonctionnement ou de sortie de l'option de menu en cours
<UP>	Permet de parcourir vers le haut la liste des options ou de trouver une valeur supérieure
<DOWN>	Permet de parcourir vers le bas la liste des options ou de trouver une valeur inférieure
<ENTER>	Permet d'activer une option de menu ou une valeur sélectionnée.

### Tableau du Menu

Mode	Étapes de Programmation	Description	
Mode DMX	001—506	Sélectionne l'adresse DMX de départ	
Automatique rapide	AuF	rGb, r, G, b, rG, rb, Gb	Programme automatique rapide
Automatique lent	AuS		Programme automatique lent
Son	Sou		Programme musical
Sensibilité	S 0—S 9	Commande de la sensibilité au son	
Aléatoire	rdN	Programme aléatoire	
Mode esclave	SLA	Mode esclave	
Télécommande	rEN	Télécommande sans fil	

**Configuration (DMX)** Mettez l'appareil en mode DMX pour permettre la commande depuis le jeu d'orgues.

1. Branchez l'appareil à une prise adéquate.
2. Mettez-le sous tension.
3. Connectez un câble DMX de la sortie DMX du jeu d'orgues DMX à l'entrée DMX sur l'unité.

**Adresse de Départ** Au moment de sélectionner une adresse DMX de départ, gardez toujours à l'esprit le nombre de canaux DMX que le mode DMX sélectionné utilise. Si vous choisissez une adresse de départ trop élevée, vous pourriez restreindre l'accès à certains canaux de l'appareil.

Le Scorpion™ Storm FX RGB utilise jusqu'à 7 canaux DMX dans son mode DMX, ce qui permet la configuration de l'adresse la plus élevée en **506**.

Si vous n'êtes pas familier avec le protocole DMX, téléchargez l'introduction au DMX sur le site Web [www.chauvetlighting.com](http://www.chauvetlighting.com).

Pour sélectionner l'adresse de départ, faites comme suit :

1. Appuyez sur <FUNC> plusieurs fois jusqu'à ce que clignote **001—506**.
2. Utilisez <UP> ou <DOWN> pour sélectionner l'adresse de départ.
3. Appuyez sur <ENTER> et les voyants de DMX s'allumeront.



## Valeurs, Assignations et Modes de Canaux DMX

7 Canaux	Canal	Fonction	Valeur	Configuration
1	Fonctions de Commande	000 ó 050	Mode DMX	
		051 ó 100	Programme automatique, rapide	
		101 ó 150	Programme automatique, lent	
		151 ó 200	Programme musical	
		201 ó 255	Programme aléatoire	
2	Sélection de la Couleur (quand le canal 1 est entre 000 et 050)	000 ó 004	Noir général	
		005 ó 015	Rouge	
		016 ó 025	Vert	
		026 ó 035	Bleu	
		036 ó 045	Rouge + Vert	
		046 ó 055	Vert + Bleu	
		056 ó 065	Rouge + Bleu	
		066 ó 075	Rouge + Vert, Bleu	
		076 ó 085	Rouge allumé, stroboscope vert	
		086 ó 095	Vert allumé, stroboscope bleu	
		096 ó 105	Bleu allumé, stroboscope rouge	
		106 ó 115	Rouge + vert, stroboscope en alternance	
		116 ó 125	Vert + bleu, stroboscope en alternance	
		126 ó 135	Rouge + bleu, stroboscope en alternance	
		136 ó 145	Rouge + vert allumés, stroboscope bleu	
		146 ó 155	Bleu + vert allumés, stroboscope rouge	
		156 ó 165	Rouge + vert allumés, stroboscope vert	
		166 ó 175	Bleu allumé, stroboscope rouge + vert	
		176 ó 185	Rouge allumé, stroboscope bleu + vert	
		186 ó 195	Vert allumé, stroboscope vert + rouge	
		196 ó 205	Bleu allumé, stroboscope rouge + vert en alternance	
		206 ó 215	Rouge allumé, stroboscope rouge + bleu en alternance	
		216 ó 225	Vert allumé, stroboscope rouge + bleu en alternance	
		226 ó 255	Stroboscope rouge + bleu + vert en alternance	
3	Stroboscope	000 ó 004	Pas de fonction	
		005 ó 254	Stroboscope de lent à rapide	
		255	Stroboscope en mode musical	
4	Rotation (moteur 1)	000 ó 004	Pas de rotation	
		005 ó 127	Rotation dans le sens des aiguilles d'une montre, lent à rapide	
		128 ó 133	Arrêt	
		134 ó 255	Rotation dans le sens inverse des aiguilles d'une montre, lent à rapide	
5	Obturbateur (moteur 1)	000 ó 004	Pas de fonction	
		005 ó 056	Mode 1, lent à rapide (quand canal 4 est activé)	
		057 ó 112	Mode 2, lent à rapide (quand canal 4 est activé)	
		113 ó 168	Mode 3, lent à rapide	
		169 ó 255	Mode 4, lent à rapide	
6	Rotation (moteur 2)	000 ó 004	Pas de rotation	
		005 ó 127	Rotation dans le sens des aiguilles d'une montre, lent à rapide	
		128 ó 133	Arrêt	
		134 ó 255	Rotation dans le sens inverse des aiguilles d'une montre, lent à rapide	
7	Obturbateur (moteur 2)	000 ó 004	Pas de fonction	
		005 ó 056	Mode 1, lent à rapide (quand canal 6 est activé)	
		057 ó 112	Mode 2, lent à rapide (quand canal 6 est activé)	
		113 ó 168	Mode 3, lent à rapide	
		169 ó 255	Mode 4, lent à rapide	



Pour un fonctionnement normal des lasers via le jeu d'orgues DMX, veillez à ce que le canal 1 soit en mode DMX (000 à 050). Lorsque le canal 1 est entre 051 et 255, les canaux 3-7 n'ont pas de fonction.

---

## Configuration (Autonome)

Mettez l'appareil en l'un des modes autonomes pour permettre la commande sans jeu d'orgues.

1. Branchez l'appareil à une prise adéquate.
2. Mettez-le sous tension.



**Ne connectez jamais un appareil en fonctionnement en mode autonome (qu'il s'agisse du mode statique, automatique ou musical) à une chaîne DMX reliée à un jeu d'orgues DMX. Les unités en mode autonome peuvent émettre un signal DMX pouvant interférer avec les signaux DMX du jeu d'orgues.**

## Mode Musical

Pour activer le mode musical, faites comme suit :

1. Appuyez sur **<FUNC>** plusieurs fois jusqu'à ce que clignote à l'écran **Sou**.
2. Appuyez sur **<ENTER>**.
3. Utilisez **<UP>** ou **<DOWN>** pour sélectionner la ou les couleurs désirées.
4. Appuyez sur **<ENTER>** et le voyant lumineux SOUND s'allumera.

## Sensibilité au Son

Pour configurer la sensibilité au son, suivez les consignes suivantes :

1. Appuyez sur **<FUNC>** plusieurs fois jusqu'à ce que clignote **S 0—S 9**.
2. Utilisez **<UP>** ou **<DOWN>** pour sélectionner le mode de sensibilité au son désiré.
3. Appuyez sur **<ENTER>**.



**L'unité ne répondra qu'aux basses fréquences de la musique (basse et batterie).**

**En mode musical, après 3 secondes de silence ou de son sous le niveau de sensibilité configuré, le laser passera en NOIR GÉNÉRAL.**

## Modes Auto

Pour activer le mode automatique, suivez les instructions ci-après :

1. Appuyez sur **<FUNC>** plusieurs fois jusqu'à ce qu'**AuF** (programme automatique rapide) ou **AuS** (programme automatique lent) clignote sur l'écran.
2. Appuyez sur **<ENTER>** pour sélectionner le programme automatique désiré.
3. Utilisez **<UP>** ou **<DOWN>** pour sélectionner la ou les couleurs désirées.
4. Appuyez sur **<ENTER>**.

---

## Mode Maître/Esclave

Le mode maître/esclave permettra à un seul Scorpion™ Storm FX RGB (le maître) de commander les actions d'une ou plusieurs Scorpion™ Storm FX RGB (les unités esclaves) sans avoir recours à un jeu d'orgues DMX. Le maître sera configuré de manière à fonctionner soit selon un programme automatique, soit selon un mode musical, tandis que les esclaves seront configurés sur mode esclave. Une fois configurées et connectées, les unités esclaves fonctionneront à l'unisson avec l'unité maître.

Configurez les unités comme indiqué ci-dessous.

### Unités esclaves :

1. Appuyez sur **<FUNC>** plusieurs fois jusqu'à ce que s'affiche **SLA**.
2. Appuyez sur **<ENTER>**.
3. Connectez l'entrée DMX de la première unité esclave à la sortie DMX de l'unité maître.
4. Connectez l'entrée DMX de l'unité esclave suivante à la sortie DMX de l'unité esclave précédente.
5. Terminez la configuration et raccordez toutes les unités esclaves.

### Unité maître :

1. Configurez l'unité maître afin qu'elle fonctionne soit en mode automatique soit en mode musical.
2. Placez l'unité maître en début de la chaîne DMX.

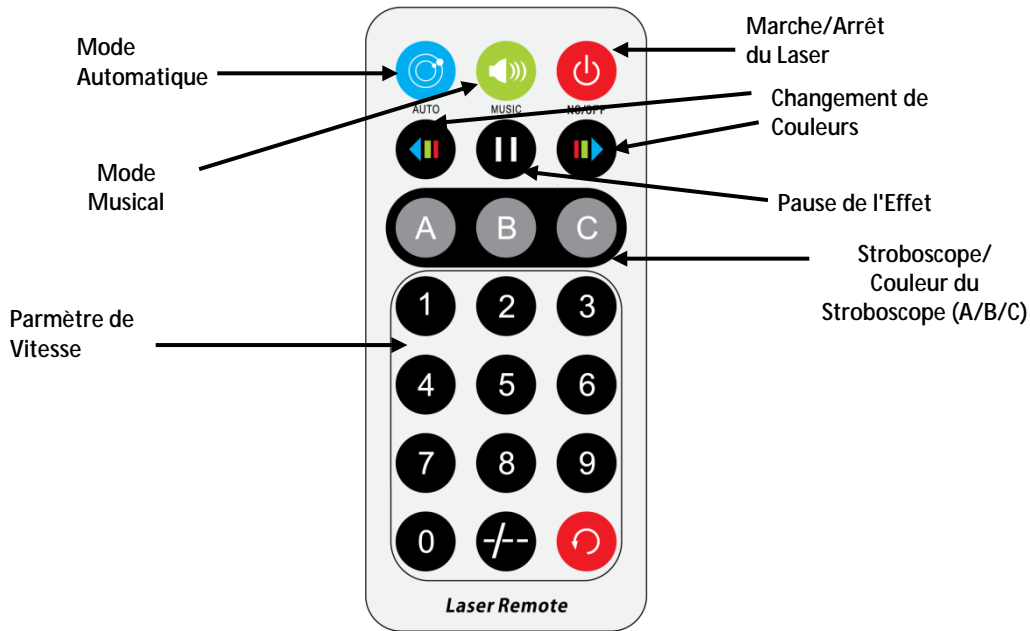
• **Configurez toutes les unités esclaves afin de connecter l'unité maître à la chaîne DMX.**



• **Ne connectez jamais de jeu d'orgues DMX à une chaîne DMX configurée en fonctionnement maître/esclave car le jeu d'orgues pourrait interférer avec les signaux de l'unité maître.**

• **Ne connectez jamais plus de 31 unités esclave à l'unité maître.**

## Télécommande



Bouton	Fonction	Description
	<b>MARCHE/ARRÊT</b>	Maintenir enfoncé pendant 3 secondes pour activer ou désactiver le mode télécommande
	<b>Mode Automatique</b>	Le laser fonctionne selon les programmes auto intégrés
	<b>Mode Musical</b>	Le voyant LED de son clignote quand le son est détecté
	<b>Sensibilité au Son</b>	En mode musical, appuyez sur <MUSIC> + <B> + <1> (le moins sensible) à <9> (le plus sensible) pour régler le paramètre de sensibilité
	<b>Changement de Couleurs</b>	Sélectionnez la couleur du laser : Rouge>Vert>Bleu>R et V>V et B>B et R>RVB
	<b>Stroboscope</b>	Appuyez sur <A> (Rouge), <B> (Vert) ou <C> (Bleu), puis <0> à <9>
	<b>Paramètre de Vitesse</b>	Les boutons de chiffres de <1> à <9> commandent le stroboscope



**Remarque :** Toute commande ou configuration sur la télécommande infrarouge sera enregistrée jusqu'à redémarrage du système. Une fois redémarré, le système reviendra au mode automatique.

---

## 5. INFORMATIONS TECHNIQUES

### Entretien de l'Appareil

L'accumulation de poussière réduit la sortie de lumière et peut entraîner une surchauffe de l'appareil. Pour un fonctionnement optimal, nettoyez l'appareil au moins deux fois par mois. Les conditions environnementales et d'utilisation peuvent toutefois exiger un nettoyage plus fréquent.

Pour nettoyer le produit, suivez les instructions comme indiquées ci-après :

1. Mettez l'appareil hors tension.
2. Attendez que celui-ci soit à température de la pièce.
3. Utilisez un aspirateur (ou de l'air comprimé sec) et une brosse douce pour enlever la poussière accumulée sur les surfaces et ventilations externes.
4. Nettoyez le panneau de verre (ouverture du laser) avec un nettoyant pour vitre ou de l'alcool isopropylique.
5. Appliquez la solution directement sur un tissu doux en coton non pelucheux ou un tissu optique.
6. Nettoyez en douceur toute trace de saleté ou d'impureté vers les bords extérieurs des surfaces en verre.
7. Polissez en douceur ces surfaces jusqu'à ce que toute peluche ou trace ait disparu.



**Assurez-vous de bien sécher toutes les surfaces en verre après les avoir nettoyées.**



**Ne faites pas tourner le ventilateur de refroidissement en utilisant de l'air comprimé car vous pourriez l'endommager.**

**N'ouvrez PAS cette unité lorsque vous procédez à son nettoyage ou sa révision.**

## 6. SPECIFICITES TECHNIQUES

Dimensions et Poids	Longueur	Largeur	Hauteur	Poids
	9,1 pouces (232 mm)	7,6 pouces (194 mm)	7,5 pouces (191 mm)	3,8 lb (1,7 kg)

À noter : Les dimensions en pouces sont arrondies à la décimale la plus proche.

Alimentation	Tension d'Entrée	Plage	Sélection de Puissance
	Commutation (interne)	100 à 240 VCA, 50/60 Hz	Universelle

Parameter	120 V, 60 Hz	230 V, 50 Hz
Consommation	26 W	31 W
Courant de fonctionnement	0,24 A	0,14 A
Courant de chaînage (unités)	8 A (33 unités)	8 A (55 unités)
Fusible	T 1 A, 250 V	T 1 A, 250 V

E/S d'alimentation	États-Unis/Monde entier	Royaume-Uni/Europe
Connecteur d'entrée d'alimentation	CEI	CEI
Connecteur de sortie d'alimentation	Edison	CEI
Fiche du cordon d'alimentation	Edison (États-Unis)	Prise locale

### Source Lumineuse

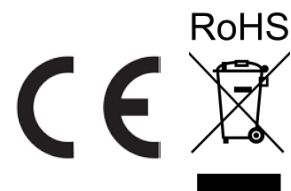
Type	Alimentation	Longueur d'Onde
Laser (rouge)	100 mW	650 nm
Laser (vert)	40 mW	532 nm
Laser (bleu)	100 mW	450 nm

Photo-optique	Paramètre	
	Angle d'éclairage	100°

Thermique	Température externe maximum du laser	Système de Refroidissement
	35 °C (95 °F)	Refroidissement par ventilateur

DMX	Connecteurs E/S	Type de connecteur	Plage de canal
	XLR 3 broches	Prises	7

Commander	Nom de l'appareil	Code de l'article	Code UPC
	Scorpion™ Storm FX RGB	10060766	781462211141



---

## RENOIS

Dans le cas où vous avez besoin d'aide ou pour retourner un produit :

- Si vous résidez aux États-Unis, contactez le siège mondial de Chauvet.
- Si vous vivez au Royaume-Uni ou en Irlande, contactez Chauvet Europe Ltd.
- Si vous vivez au Mexique, contactez Chauvet Mexico.
- Si vous habitez dans le Benelux, contactez Chauvet Europe BVBA.
- Si vous résidez n'importe où ailleurs, NE contactez pas Chauvet. Contactez votre revendeur. Rendez-vous sur [www.chauvetlighting.com](http://www.chauvetlighting.com) pour découvrir la liste des revendeurs en dehors des États-Unis, du Royaume-Uni, de l'Irlande, Benelux ou du Mexique.



**Si vous résidez en dehors des États-Unis, du Royaume-Uni, de l'Irlande ou du Mexique, contactez votre revendeur et suivez leurs instructions quant à la procédure à suivre pour renvoyer vos appareils Chauvet. Consultez notre site Web pour trouver leurs coordonnées.**

Téléphonez au centre d'assistance technique de Chauvet correspondant et demandez un numéro d'autorisation de retour (NAR) avant de nous réexpédier l'appareil. Pour l'obtenir, il vous sera demandé de fournir le numéro du modèle, le numéro de série ainsi qu'une brève description de l'objet du retour.

Vous devez nous retourner la marchandise en port prépayé, dans ses boîte et emballage d'origine et avec tous ses accessoires. Chauvet ne délivrera pas d'étiquettes de renvoi. Indiquez lisiblement le NAR sur une étiquette apposée sur le colis. Chauvet refusera la réception de tout appareil pour lequel aucun NAR n'a été demandé.



**Inscrivez le NAR sur une étiquette convenablement collée. N'écrivez PAS le NAR directement sur le colis.**

Avant de nous retourner le colis, inscrivez les informations suivantes, de manière lisible, sur une feuille de papier, que vous placerez à l'intérieur du colis:

- Votre nom
- Votre adresse
- Votre numéro de téléphone
- Le numéro de NAR
- Une courte description du problème

Veillez à emballer l'appareil de manière adéquate. Vous serez tenu responsable de tout dommage survenant lors de l'expédition de retour dû à un emballage inadéquat. Nous vous recommandons d'utiliser un emballage double ou celui de FedEx.



**Chauvet se réserve le droit, à sa convenance, de réparer ou remplacer tout appareil qui lui est retourné.**

---

# NOUS CONTACTER

## **SIEGE MONDIAL - Chauvet**

### **Informations générales**

Adresse : 5200 NW 108th Avenue  
Sunrise, FL 33351

Téléphone : (954) 577-4455

Fax : (954) 929-5560

Numéro vert : (800) 762-1084

### **Support technique**

Téléphone : (954) 577-4455 (choix 4)

Fax : (954) 756-8015

Courriel : [tech@chauvetlighting.com](mailto:tech@chauvetlighting.com)

**Site internet :** [www.chauvetlighting.com](http://www.chauvetlighting.com)

## **ROYAUME-UNI ET IRLANDE - Chauvet Europe Ltd.**

### **Informations générales**

Adresse : Unit 1C  
Brookhill Road Industrial Estate  
Pinxton, Nottingham, UK  
NG16 6NT

Téléphone : +44 (0)1773 511115

Fax : +44 (0)1773 511110

### **Support technique**

Courriel : [uktech@chauvetlighting.com](mailto:uktech@chauvetlighting.com)

**Site internet :** [www.chauvetlighting.co.uk](http://www.chauvetlighting.co.uk)

## **MEXIQUE - Chauvet Mexico**

### **Informations générales**

Adresse : Av. Santa Ana 30  
Parque Industrial Lerma  
Lerma, Mexico C.P. 52000

Téléphone : +52 (728) 285-5000

### **Support technique**

Courriel : [servicio@chauvet.com.mx](mailto:servicio@chauvet.com.mx)

**Site internet :** [www.chauvet.com.mx](http://www.chauvet.com.mx)

## **CHAUVET EUROPE - Chauvet Europe BVBA**

### **Informations générales**

Adresse : Stokstraat 18  
9770 Kruishoutem  
Belgique

Téléphone : +32 9 388 93 97

### **Support technique**

Courriel : [Eutech@chauvetlighting.eu](mailto:Eutech@chauvetlighting.eu)

**Site internet :** [www.chauvetlighting.eu](http://www.chauvetlighting.eu)

En dehors des États-Unis, du Royaume-Uni, de l'Irlande, du Mexique ou du Benelux, veuillez contacter votre revendeur. Suivez leurs instructions pour demander assistance ou pour retourner un produit. Consultez notre site Web pour trouver leurs coordonnées.