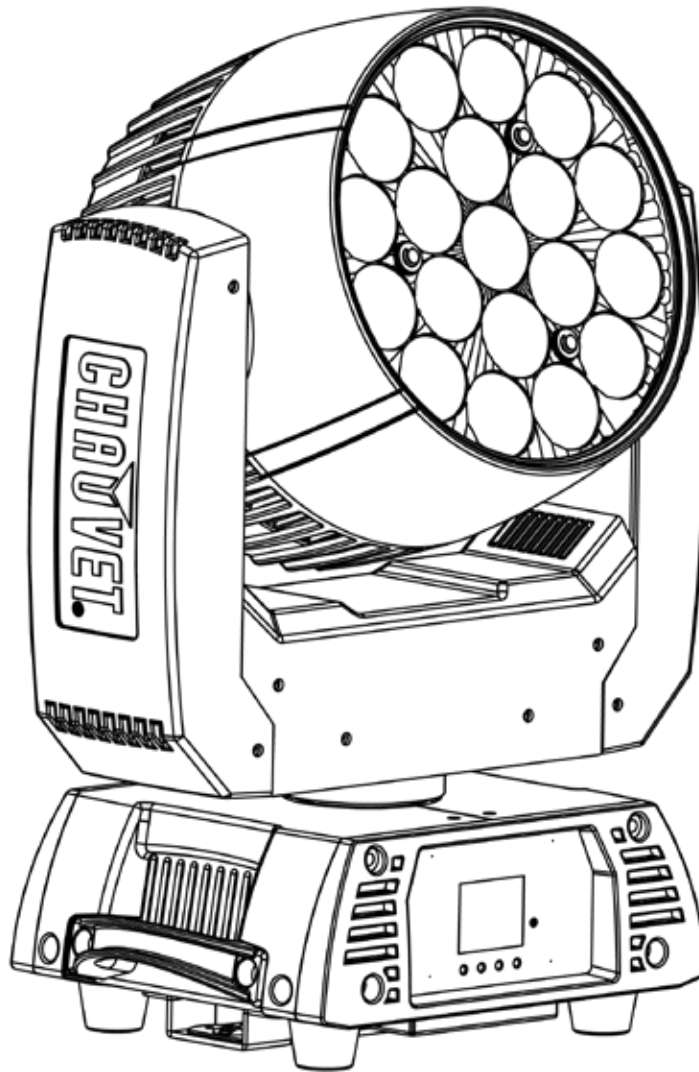


# ROGUE™



## User Manual



**CHAUVET**<sup>®</sup>  
PROFESSIONAL

**Edition Notes** The Rogue™ R2 Wash User Manual Rev. 4 covers the description, safety precautions, installation, programming, operation, and maintenance of the Rogue™ R2 Wash. Chauvet released this edition of the Rogue R2 Wash User Manual in September 2016.

**Trademarks** CHAUVET is a registered trademark of CHAUVET & Sons, LLC. (d/b/a CHAUVET or Chauvet). The CHAUVET logo in its entirety including the CHAUVET name and the dotted triangle, and all other trademarks in this manual pertaining to services, products, or marketing statements are owned or licensed by CHAUVET. Any other product names, logos, brands, company names, and other trademarks featured or referred to within this document are the property of their respective trademark holders.

**Copyright Notice** Chauvet owns the content of this User Manual in its entirety, including but not limited to pictures, logos, trademarks, and resources.

© **Copyright 2016 Chauvet. All rights reserved.**

Electronically published by Chauvet in the United States of America.

**Manual Use** Chauvet authorizes its customers to download and print this manual for professional information purposes only. Chauvet expressly prohibits the usage, copy, storage, distribution, modification, or printing of this manual or its content for any other purpose without written consent from Chauvet.

**Document Printing** For better results, print this document in color, on letter size paper (8.5 x 11 in), double-sided. If using A4 paper (210 x 297 mm), configure your printer to scale the content accordingly.

**Intended Audience** Any person in charge of installing, operating, and/or maintaining this product should completely read through the guide that shipped with the product, as well as this manual, before installing, operating, or maintaining this product.

**Disclaimer** Chauvet believes that the information contained in this manual is accurate in all respects. However, Chauvet assumes no responsibility for any errors or omissions in this document. Chauvet reserves the right to revise and make changes to the content of this document without obligation that Chauvet notify any person or company of such revision or changes. This does not in any way constitute a commitment by Chauvet to make such changes. Chauvet may issue a revision of this manual or a new edition to incorporate such changes.

**Document Revision** The Rogue R2 Wash User Manual Rev. 4 supersedes all previous versions of this manual. Discard any older versions of this manual and replace with this version. Go to [www.chauvetprofessional.com](http://www.chauvetprofessional.com) for the latest version.

# Table of Contents

- 1. Before You Begin ..... 1**
  - What Is Included ..... 1
    - Claims ..... 1
    - Manual Conventions ..... 1
    - Symbols ..... 1
  - Product At A Glance ..... 2
  - Safety Notes ..... 2
    - Personal Safety ..... 2
    - Mounting And Rigging ..... 2
    - Power And Wiring ..... 2
    - Operation ..... 2
- 2. Introduction ..... 3**
  - Description ..... 3
  - Features ..... 3
  - Overview ..... 4
  - Dimensions ..... 5
- 3. Setup ..... 6**
  - AC Power ..... 6
    - AC Plug ..... 6
    - Fuse Replacement ..... 6
  - Power Linking ..... 6
  - DMX Linking ..... 6
    - DMX Personalities ..... 6
  - Mounting ..... 7
    - Orientation ..... 7
    - Rigging ..... 7
    - Procedure ..... 7
- 4. Operation ..... 8**
  - Control Panel Description ..... 8
    - Control Options ..... 8
    - Programming ..... 8
  - Menu Map ..... 9
  - Menu Map (Cont.) ..... 10
  - Menu Map (Cont.) ..... 11
  - Rogue™ R2 Wash Zone Selection for DMX Control ..... 11
  - Address ..... 12
    - Set the DMX Address ..... 12
  - Run Mode ..... 12
    - DMX Personality ..... 12
    - Auto Test ..... 12
    - Manual Test ..... 12
  - Setup ..... 13
    - Pan Reverse ..... 13
    - Tilt Reverse ..... 13
    - Pan Angle ..... 13
    - Tilt Angle ..... 13
    - Fans ..... 13
    - Display ..... 13
    - Screen Reverse ..... 13
    - Dimmer Curve ..... 13
    - Dimmer Speed ..... 13
    - Color Calibration ..... 13
    - Reset Function ..... 14

Factory Reset Function .....	14
System Information .....	14
Offset Mode .....	14
Pan.....	14
Tilt .....	14
DMX Values .....	15
DMX Values (Cont.).....	16
DMX Values (Cont.).....	17
DMX Values (Cont.).....	18
DMX Values (Cont.).....	19
DMX Values (Cont.).....	20
DMX Values (Cont.).....	21
DMX Values (Cont.).....	22
DMX Values (Cont.).....	23
DMX Values (Cont.).....	24
DMX Values (Cont.).....	25
DMX Values (Cont.).....	26
DMX Values (Cont.).....	27
DMX Values (Cont.).....	28
DMX Values (Cont.).....	29
DMX Values (Cont.).....	30
DMX Values (Cont.).....	31
DMX Values (Cont.).....	32
DMX Values (Cont.).....	33
DMX Values (Cont.).....	34
DMX Values (Cont.).....	35
DMX Values (Cont.).....	36
DMX Values (Cont.).....	37
DMX Values (Cont.).....	38
DMX Values (Cont.).....	39
DMX Values (Cont.).....	40
DMX Values (Cont.).....	41
DMX Values (Cont.).....	42
DMX Values (Cont.).....	43
DMX Values (Cont.).....	44
DMX Values (Cont.).....	45
DMX Values (Cont.).....	46
DMX Values (Cont.).....	47
DMX Values (Cont.).....	48
DMX Values (Cont.).....	49
DMX Values (Cont.).....	50
DMX Values (Cont.).....	51
DMX Values (Cont.).....	52
DMX Values (Cont.).....	53
DMX Values (Cont.).....	54
DMX Values (Cont.).....	55
DMX Values (Cont.).....	56
<b>5. Technical Information .....</b>	<b>57</b>
Product Maintenance.....	57
<b>6. Technical Specifications.....</b>	<b>58</b>
Returns .....	59
<b>Contact Us .....</b>	<b>59</b>

# 1. BEFORE YOU BEGIN

- What Is Included**
- Rogue R2 Wash
  - Neutrik® powerCON® power cord
  - Omega bracket with mounting hardware
  - Warranty Card
  - Quick Reference Guide

**Claims** Carefully unpack the product immediately and check the box to make sure all the parts are in the package and are in good condition.




If the box or the contents (the product and included accessories) appear damaged from shipping or show signs of mishandling, notify the carrier immediately, not Chauvet. Failure to report damage to the carrier immediately may invalidate your claim. In addition, keep the box and contents for inspection.

For other issues, such as missing components or parts, damage not related to shipping, or concealed damage, file a claim with Chauvet within 7 days of delivery.

**Manual Conventions**

Convention	Meaning
1–512	A range of values in the text
50/60	A set of mutually exclusive values in the text
<SET>	A button on the product’s control panel
Settings	A product function or a menu option
MENU>Settings	A sequence of menu options
1–10	A range of menu values from which to choose in a menu
Yes/No	A set of two mutually exclusive menu options in a menu
ON	A unique value to be entered or selected in a menu

**Symbols**

Symbols	Meaning
	Critical installation, configuration, or operation information. Failure to comply with this information may cause the product not to work, damage third-party equipment, or cause harm to the operator.
	Important installation or configuration information. Failure to comply with this information may keep the product from working.
	Useful information.



The term “DMX” used throughout this manual refers to the USITT DMX512-A digital data transmission protocol.

<b>Product At A Glance</b>	Use on Dimmer	X	Auto Programs	X
	Outdoor Use	X	Auto-Ranging Power Supply	P
	Sound-Activated	X	Replaceable Fuse	P
	DMX	P	User-Serviceable	X
	Master/Slave	X		

**Safety Notes**

Read all the following Safety Notes before working with this product. These notes include important information about the installation, usage, and maintenance of this product.



**This product contains no user-serviceable parts. Any reference to servicing in this User Manual will only apply to properly trained Chauvet certified technicians. Do not open the housing or attempt any repairs.**



**All applicable local codes and regulations apply to proper installation of this product.**

**Personal Safety**

- Avoid direct eye exposure to the light source while the product is on.
- Always disconnect this product from its power source before servicing.
- Always connect this product to a grounded circuit to avoid the risk of electrocution.
- Do not touch this product's housing during operation because it may be very hot.

**Mounting And Rigging**

- This product is for indoor use only! To prevent risk of fire or shock, do not expose this product to rain or moisture. (IP20)
- CAUTION: When transferring product from extreme temperature environments, (e.g. cold truck to warm humid ballroom) condensation may form on the internal electronics of the product. To avoid causing a failure, allow product to fully acclimate to the surrounding environment before connecting it to power.

**Power And Wiring**

- Mount this product in a location with adequate ventilation, at least 20 in (50 cm) from adjacent surfaces.
- Make sure there are no flammable materials close to this product while it is operating.
- Always carry this product by the handles. Do not carry from the head.
- When hanging this product, always secure to a fastening device using a safety cable.
- Always make sure you are connecting this product to the proper voltage in accordance with the specifications in this manual or on the product's specification label.
- Never connect this product to a dimmer pack or rheostat.
- Never disconnect this product by pulling or tugging on the power cable.

**Operation**

- Do not operate this product if you see damage to the housing, lenses, or cables. Have the damaged parts replaced by an authorized technician at once.
- To eliminate unnecessary wear and improve its lifespan, during periods of non-use completely disconnect the product from power via breaker or by unplugging it.
- Do not cover the ventilation slots when operating to avoid internal overheating.
- Do not aim this product toward the Sun. The lenses could concentrate the solar energy and cause internal overheating.
- The maximum ambient temperature is 113 °F (45 °C). Do not operate this product at a higher temperature.
- In case of a serious operating problem, stop using this product immediately!



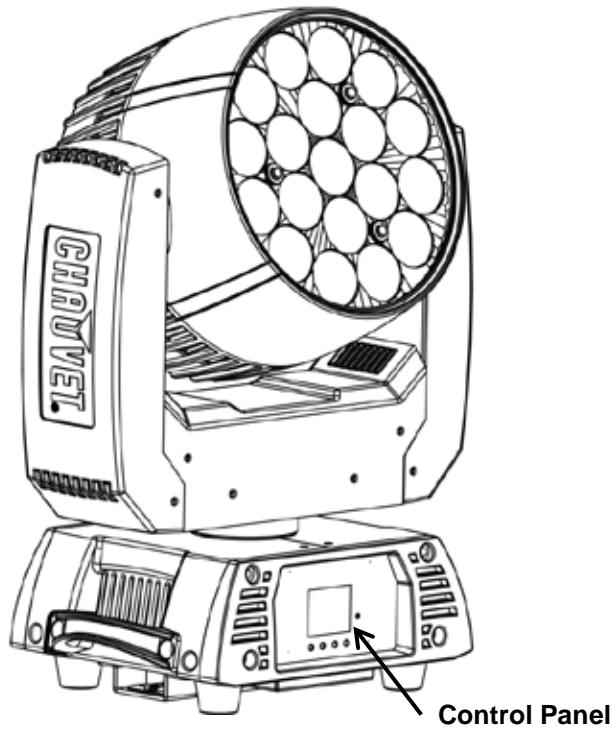
**In the unlikely event that your Chauvet product may require service, contact Chauvet Technical Support.**

## 2. INTRODUCTION

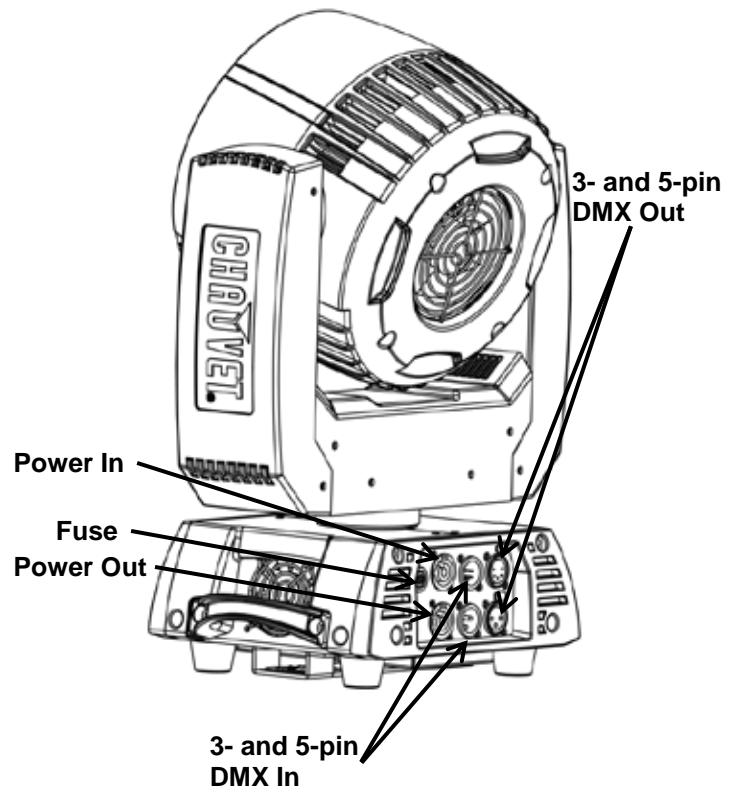
**Description** The Rogue R2 Wash is a compact, electronic, moving yoke product equipped with 19 quad-color RGBW 15-watt LEDs. Rogue R2 Wash is a powerful wash product that features smooth pan and tilt operation, a 12° to 49° zoom range, and a unique lens system that gives you an even, professionally combined color wash.

- Features**
- DMX Channels: 15, 17, 22, 33, 54 or 56
  - Pan: 540°
  - Tilt: 230°
  - 19 RGBW LEDs, 15 W each
  - 5 zones of LED control for pixel mapping control
  - Unique lens design for excellent color blending
  - Fast, smooth pan and tilt movement
  - 6 distinct dimming modes
  - 3- and 5-pin DMX input/output connections
  - Omega mounting bracket, fits all Rogue, Next, and Legend fixtures
  - Easy to read OLED display with simple, effective menu options
  - Simple and complex DMX channel profiles for programming versatility

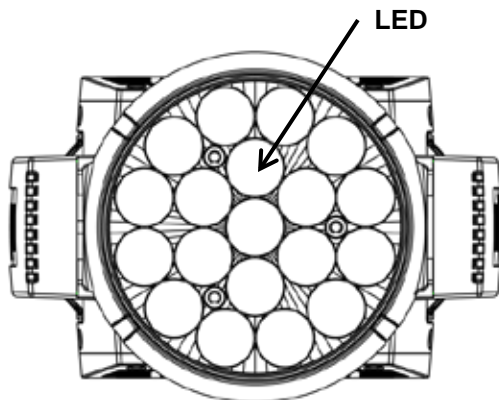
## Overview



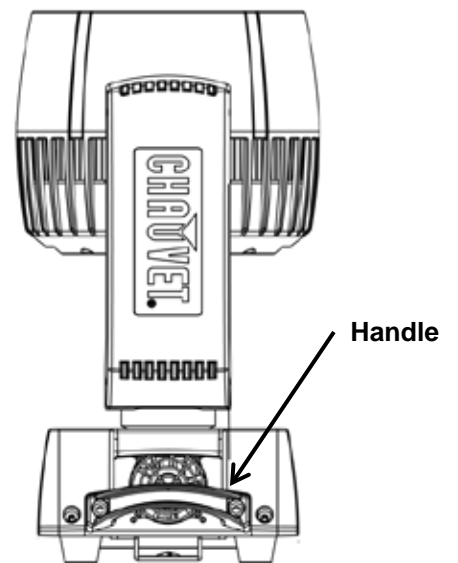
**Front View**



**Rear View**



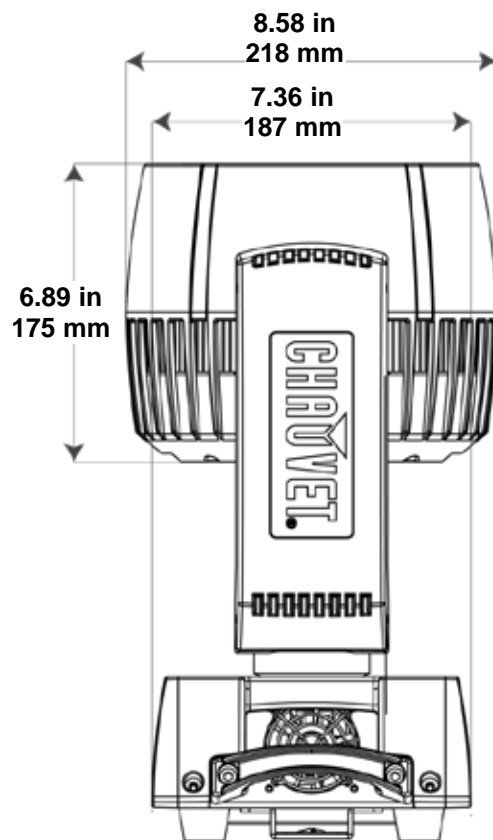
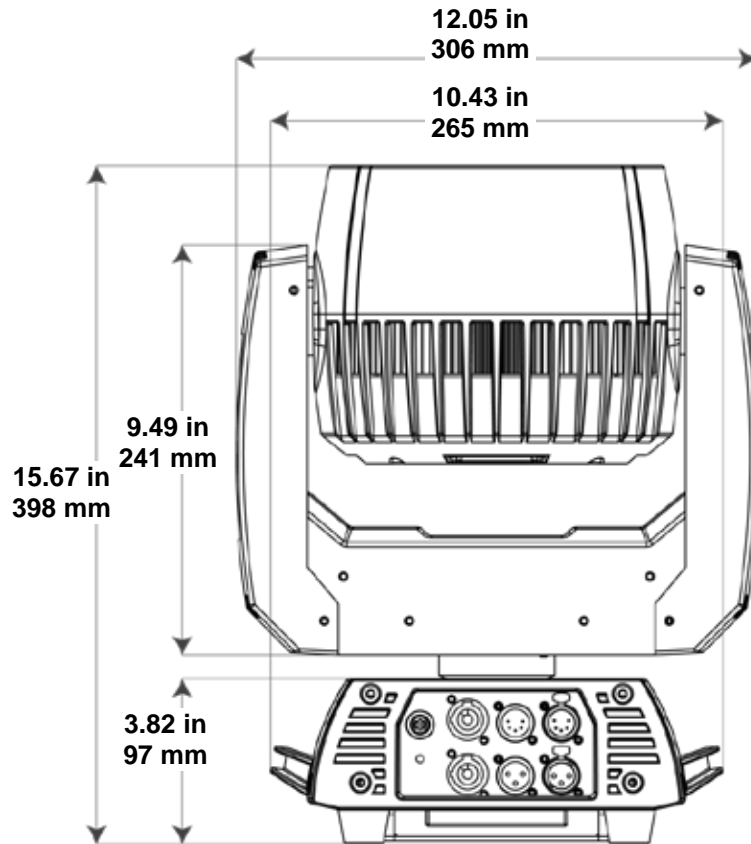
**Top View**



**Side View**



## Dimensions



## 3. SETUP

### AC Power

Each Rogue R2 Wash has an auto-ranging power supply that works with an input voltage range of 100 to 240 VAC, 50/60 Hz. To determine the power requirements for each Rogue R2 Wash, refer to the label affixed to the product. You can also refer to the [Technical Specifications](#) chart in this manual.

The listed current rating indicates the maximum current draw during normal operation. For more information, you may download Sizing Circuit Breakers from the Chauvet website: [www.chauvetlighting.com/download/pro](http://www.chauvetlighting.com/download/pro).



- **Always connect this product to a protected circuit with an appropriate electrical ground to avoid the risk of electrocution or fire.**
- **To eliminate unnecessary wear and improve its lifespan, during periods of non-use completely disconnect the product from power via breaker or by unplugging it.**



**Never connect this product to a rheostat (variable resistor) or dimmer circuit, even if the rheostat or dimmer channel serves only as a 0 to 100% switch.**

### AC Plug

The Rogue R2 Wash comes with a power input cord terminated with a Neutrik® powerCON® A connector on one end and an Edison plug on the other end (U.S. market). If the power input cord that came with your product has no plug, or if you need to change the Edison plug, use the table below to wire the new plug.

Connection	Wire (U.S.)	Wire (Europe)	Screw Color
AC Live	Black	Brown	Yellow or Brass
AC Neutral	White	Blue	Silver
AC Ground	Green/Yellow	Green/Yellow	Green

### Fuse Replacement

1. Disconnect this product from the power outlet.
2. Using a flat-head screwdriver, unscrew the fuse holder cap from the housing.
3. Remove the blown fuse and replace with a another fuse of the same type and rating (F 7 A, 250 V).
4. Screw the fuse holder cap back in place and reconnect power.



**Make sure to disconnect the product's power cord before replacing a blown fuse. Always replace the blown fuse with another of the same type and rating.**

### Power Linking

The Rogue R2 Wash supports power linking. You can power link up to 4 products at 120 V; up to 8 at 208 V; or up to 9 at 230 V.

This product comes with a power input cord. Power linking cables are available from Chauvet for purchase.

### DMX Linking

You can link the Rogue R2 Wash to a DMX controller using a 3- or 5-pin DMX connection. If using other DMX-compatible products with the Rogue R2 Wash, you can control each individually with a single DMX controller.

### DMX Personalities

The Rogue R2 Wash uses a 3- or 5-pin DMX data connection for the 15-, 17-, 22-, 33-, 54- or 56-channel DMX personalities.

- Refer to the [Introduction](#) chapter for a brief description of each DMX personality.
- Refer to the [Operation](#) chapter to learn how to configure the Rogue R2 Wash to work in these personalities.
- The [DMX Values](#) section provides you with detailed information regarding the DMX personalities.



**If you are not familiar with or need more information about DMX standards, Master/Slave connectivity, or the DMX cables needed to link this product to a DMX controller, download the DMX Primer from the Chauvet website: [www.chauvetprofessional.com](http://www.chauvetprofessional.com).**

**Mounting** Before mounting this product, read and follow the [Safety Notes](#). For our CHAUVET Professional line of mounting clamps, go to <http://trusst.com/products/>.

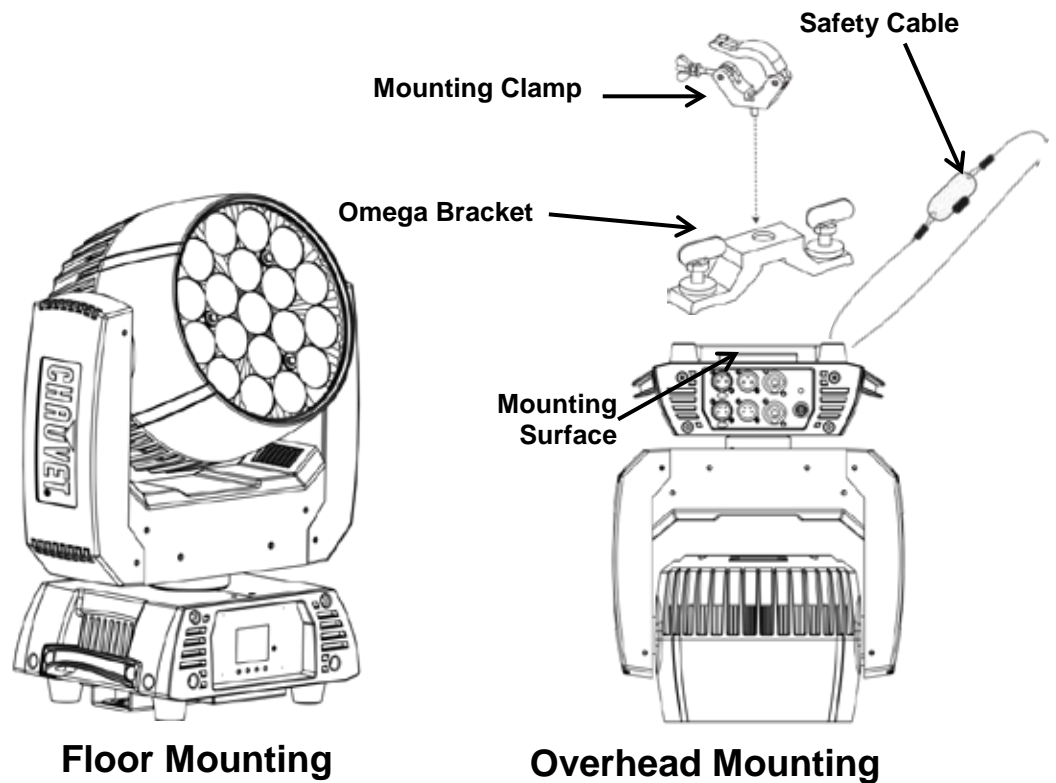
**Orientation** Always mount this product in a safe position and make sure there is adequate room for ventilation, configuration, and maintenance.

**Rigging** Chauvet recommends using the following general guidelines when mounting this product.

- When selecting an installation location, consider easy access to this product for operation, programming adjustments, and routine maintenance.
- Make sure to mount this product away from any flammable material as indicated in the [Safety Notes](#).
- Never mount in places where rain, high humidity, extreme temperature changes, or restricted ventilation may affect the product.
- If hanging this product, make sure that the mounting location can support the product's weight. See the [Technical Specifications](#) for the weight-bearing requirements of this product.
- When hanging this product, always secure to a fastening device using a safety cable.

**Procedure** The Rogue R2 Wash comes with a preinstalled mounting surface to which you will be able to attach the included omega bracket. Make sure the clamps are capable of supporting the weight of this product. Use at least 1 mounting point per product. In addition, use a safety cable to link the product to the structure.

Mounting Diagram



## 4. OPERATION

### Control Panel Description

Button	Function
<MENU>	Exits from the current menu or function
<ENTER>	Enables the currently displayed menu or sets the currently selected value in to the current function
<UP>	Navigates upward through the menu list or increases the numeric value when in a function
<DOWN>	Navigates downward through the menu list or decreases the numeric value when in a function

### Control Options

You can set the Rogue R2 Wash starting address in the **001–512** DMX range. This enables control of up to 9 products in the 56-channel **56CH** personality.

### Programming

Refer to the [Menu Map](#) to understand the menu options. The menu map shows the main level and a variable number of programming levels for each option.

- To enter programming mode, press any key on the control panel to wake the opening screen. Press <MENU> until you see one of the main level options.
- To highlight a menu option or to change a setting, press <UP> or <DOWN>.
- To change menu levels as shown in the [Menu Map](#), press <ENTER> or <MENU>. This is equivalent to moving right and left of the Menu Map, respectively.
- To accept the current or new value, press <ENTER>.
- To return to the previous menu without making changes, press <MENU>.
- To exit programming mode, press <MENU> until you see one of the main level options, the opening screen, or do not press any button for 30 seconds and the screen will automatically revert to the opening screen.

## Menu Map

Main Level	Programming Levels		Description	
<b>Address</b>	<b>001–512</b>		Sets the DMX starting address	
<b>Run Mode</b>	<b>DMX</b>	<b>15CH</b>	Selects the DMX mode	
		<b>17CH</b>		
		<b>22CH</b>		
		<b>33CH</b>		
		<b>33CH MS</b>		
		<b>54CH</b>		
		<b>54CH MS</b>		
		<b>56CH</b>		
	<b>Auto Test</b>		Runs the product's test sequence	
	<b>Manual Test</b>	<b>Pan</b>	<b>000–255</b>	Allows manual control of all settings from the control panel
		<b>Tilt</b>		
		<b>Dimmer</b>		
		<b>Shutter</b>		
		<b>Red 1</b>		
		<b>Green 1</b>		
<b>Blue 1</b>				
<b>White 1</b>				
<b>Red 2</b>				
<b>Green 2</b>				
<b>Blue 2</b>				
<b>White 2</b>				
<b>Red 3</b>				
<b>Green 3</b>				
<b>Blue 3</b>				
<b>White 3</b>				
<b>Red 4</b>				
<b>Green 4</b>				
<b>Blue 4</b>				
<b>White 4</b>				
<b>Red 5</b>				
<b>Green 5</b>				
<b>Blue 5</b>				
<b>White 5</b>				
<b>Zoom</b>				

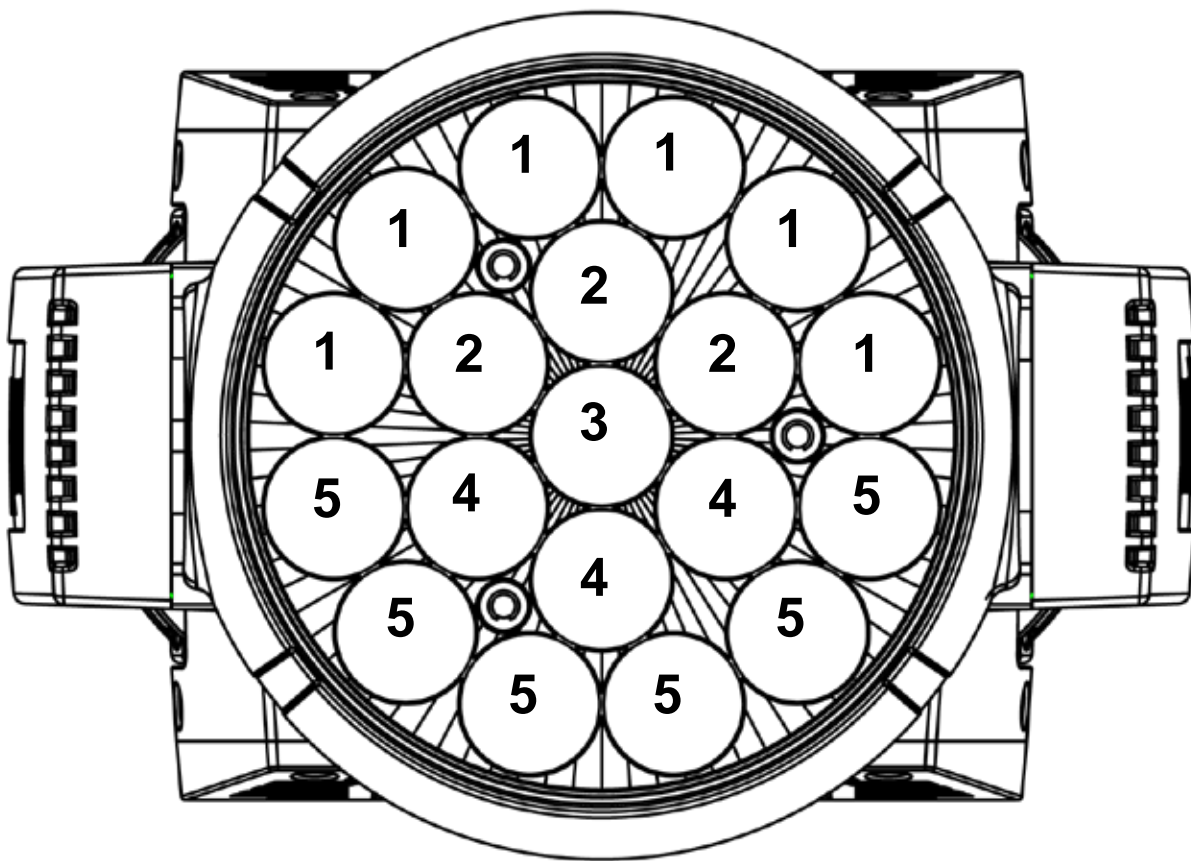
## Menu Map (Cont.)

Main Level	Programming Levels			Description
Setup	Pan Reverse	OFF		Reverse pan operation
		ON		Normal pan operation
	Tilt Reverse	OFF		Reverse tilt operation
		ON		Normal tilt operation
	Pan Angle	540		Selects the 540° pan angle range
		360		Selects the 360° pan angle range
		180		Selects the 180° pan angle range
	Tilt Angle	230		Selects the 230° tilt angle range
		180		Selects the 180° tilt angle range
		90		Selects the 90° tilt angle range
	Fans	Auto		Selects the fan's operation mode.
		ECO		
		Full		
	Display	OFF		Determines how long the backlight of the display will stay on after last command button pressed
		ON		
	Screen Rev	OFF		Rotates control screen view 180°
		ON		Normal control screen view
	Dimmer Curve	Linear		Liner dimmer
		Square		Square curve dimmer
		I Squa		Reverse square curve dimmer
		SCurve		S curve dimmer
	Dimmer Speed	Smooth		Slow (Smooth) or fast (Fast) dimmer curves
		Fast		
	Color calibration	Off		
On			Factory calibrated color temperature when RGBW DMX channels are at full	
Custom		RED	100–255	Manual calibration of color temperature when RGBW DMX channels are at full
		GREEN		
	BLUE			
Reset Function	Pan/Tilt	NO		Resets pan/tilt functions to the home position
		YES		
	Zoom	NO		Resets all Zoom functions to the home position
		YES		
	All	NO		Resets all functions to the home position
		YES		
Factory Set				Reverts the product back to the original factory settings

**Menu Map (Cont.)**

Main Level	Programming Levels	Description
Sys Info	Ver	Displays the software version
	Running Mode	Displays the current running mode
	Dmx Address	Displays the current DMX address
	Temperature	Displays the product's temperature in Celsius
	Fixture Time	Displays the product's total time running

**Rogue™ R2 Wash Zone Selection for DMX Control**



**Address** This programming level sets the DMX starting address.

- Starting from the Main Level screen, select **Address**, press **<ENTER>**.

**Set the DMX Address** In this mode, each product will respond to a unique starting address from the DMX controller. All products with the same starting address will respond in unison. This option sets the products DMX address.

- Change the starting address (**001–512**), press **<ENTER>**.

**Run Mode** This programming level sets the DMX personality and controls the different test modes.

- Starting from the Main Level screen, select **Run Mode**, press **<ENTER>**.

**DMX Personality** This option selects which DMX Personality the product uses.

1. Highlight **DMX**, press **<ENTER>**.
2. Select the DMX personality **15CH**, **17CH**, **22CH**, **33CH**, **33CH MS**, **54CH MS**, **54CH**, or **56CH**, press **<ENTER>**.



- See the [DMX Values](#) section for the highest starting address you can select for each personality.
- **Make sure that the starting addresses on the various products do not overlap due to the new personality setting.**

**Auto Test** This option runs every attribute individually through 1 cycle.

- Highlight **Auto Test**, press **<ENTER>**.



- **The Auto Test will end after 1 full cycle. You can stop the test by pressing <MENU> at any time.**

**Manual Test** This option allows you to run each attribute individually or as a group.

1. Highlight **Manual Test**, press **<ENTER>**.
2. Highlight the desired attribute listed on the control panel screen, press **<ENTER>**.
3. Set the attribute value (**000–255**), press **<ENTER>**.
4. Repeat step 2 for the other attributes.



- **When exiting the Manual Test level, the values of all tested channels will revert to zero.**



- Setup** This programming level controls the product's head movement, display, dimming, and fan adjustments.
- Starting from the Main Level screen, select **Setup**, press **<ENTER>**.
- Pan Reverse** Reverses the operation of the pan attribute.
1. Highlight **Pan Reverse**, press **<ENTER>**.
  2. Select **YES** or **NO**, press **<ENTER>**.
- Tilt Reverse** Reverses the operation of the tilt attribute.
1. Highlight **Tilt Reverse**, press **<ENTER>**.
  2. Select **YES** or **NO**, press **<ENTER>**.
- Pan Angle** This option assigns pan range.
1. Highlight **Pan Angle**, press **<ENTER>**.
  2. Select **540**, **360**, or **180**, press **<ENTER>**.
- Tilt Angle** This option assigns tilt range.
1. Highlight **Tilt Angle**, press **<ENTER>**.
  2. Select **90**, **180**, or **230**, press **<ENTER>**.
- Fans** This option allows you to choose a fan mode. **AUTO** mode controls the fan speed based on the temperature of the LED's. In **ECO** mode, fans will stay as quiet as possible and allow the output of the LEDs to decrease by about 20% over time depending on the ambient temperature. As the ambient temperature increases, the output of the LEDs will decrease. In **Full** mode, the fans are on all the time at the highest speed.
1. Highlight **Fans**, press **<ENTER>**.
  2. Select **Auto**, **ECO**, or **Full**, press **<ENTER>**.
- Display** Determines whether or not the backlight of the display will stay on after last command button pressed.
1. Highlight **Display**, press **<ENTER>**.
  2. Select **OFF** or **ON**, press **<ENTER>**.
- Screen Reverse** To invert the control panel screen:
1. Highlight **Screen Rev**, press **<ENTER>**.
  2. Select **YES** or **NO**, press **<ENTER>**.
- Dimmer Curve** This option allows you to choose a dimmer curve mode. **Linear** mode follows the speed of the user controlling the fader when it is brought down to a "0" value. In **Square** mode the dimmer follows a square dimming curve when the fader is brought to a "0" value. In **I Square** mode the dimmer follows a square dimming curve in reverse when the fader is brought to a "0" value. In **SCurve** mode, the dimmer follows a square dimming curve when the fader is brought to a "0" value.
1. Highlight **Dimming Curve**, press **<ENTER>**.
  2. Select **Linear**, **Square**, **I Square**, or **SCurve**, press **<ENTER>**.
- Dimmer Speed** This option sets the speed of the **Dimmer Curve** menu option .
1. Highlight **Dimmer Speed**, press **<ENTER>**.
  2. Select **Smooth** or **Fast**, press **<ENTER>**.
- Color Calibration** This programming level allows the user to set what each of the RGBW DMX channels do when set to a "255" value.
- Starting from the **Setup** screen level, select **Color calibration**, press **<ENTER>**.
- Factory calibration** This option chooses to set the color temperature calibration to **Off** or **On**. When RGBW DMX channels are at full, setting to **Off** sets the fader to Max. output on each of the RGBW DMX Channels or to **On** which uses the factory calibrated color temperature.
- Highlight **On** or **Off**, press **<ENTER>**.
- Custom Calibration** Choosing **Custom** allows manual calibration of the RGBW DMX Channels.
1. Highlight **Custom**, press **<ENTER>**.
  2. Select **RED**, **GREEN**, or **BLUE**, press **<ENTER>**.
  3. Set the color value (**100–255**), press **<ENTER>**.
  4. Repeat step 2 for the other colors.

- Reset Function** This programming level allows the user to reset individual functions to the home position.
- Starting from the **Setup** screen level, select **Reset Function**, press **<ENTER>**.
- Pan/Tilt Reset** This option resets the Pan/Tilt functions to the home position.
1. Highlight **Pan/Tilt**, press **<ENTER>**.
  2. Select **YES** or **NO**, press **<ENTER>**.
- Zoom Reset** This option resets the Zoom function to the home position.
1. Highlight **Zoom**, press **<ENTER>**.
  2. Select **YES** or **NO**, press **<ENTER>**.
- All Reset** This option resets the all the functions to the home position.
1. Highlight **All**, press **<ENTER>**.
  2. Select **YES** or **NO**, press **<ENTER>**.
- Factory Reset Function** This reverts the product back to its original factory settings.
- Starting from the **Setup** screen level, select **Factory Settings**, press **<ENTER>**.
- System Information** This programming level shows standard information regarding the product's operating status.
- Starting from the Main Level screen, select **Sys Info**, press **<ENTER>**.
    - **Ver:** The current software version is displayed on the screen.
    - **Running Mode:** The current Running mode is displayed on the screen.
    - **DMX Address:** The current DMX address is displayed on the screen.
    - **Temperature:** The current product temperature is displayed on the screen.
    - **Fixture Time:** The product's total running time.
- Offset Mode** The Offset mode provides fine adjustments for the home position of all the moving parts in the optical path as well as the pan and tilt movements. This way, when in their home position, the moving parts do not show any border or reduce the light output.
1. Starting from the Main Level screen, press and hold **<MENU>** until the passcode screen appears.
  2. Using **<UP>** to increase the number value and **<DOWN>** to move to the next column, enter **2323**, press **<ENTER>**. This brings you into the Zero Adjust menu screen.
- Pan**
1. Highlight **PAN**, press **<ENTER>**.
  2. Select **000–255**, press **<ENTER>**.
- Tilt**
1. Highlight **TILT**, press **<ENTER>**.
  2. Select **000–255**, press **<ENTER>**.

## DMX Values

56CH	Channel	Function	Value	Percent/Setting
	1	Pan	000 ó 255	0–100%
	2	Fine Pan	000 ó 255	Fine control (16-bit)
	3	Tilt	000 ó 255	0–100%
	4	Fine Tilt	000 ó 255	Fine control (16-bit)
	5	Pan/Tilt Speed	000 ó 255	0–100%
	6	Dimmer	000 ó 255	0–100%
	7	Fine Dimmer	000 ó 255	Fine control (16-bit)
	8	Shutter	000 ó 019	Closed
			020 ó 024	Open
			025 ó 064	Fast to slow
			065 ó 069	Open
			070 ó 084	Fast on/ramp off
			085 ó 089	Open
			090 ó 104	Ramp off/fast on
			105 ó 109	Open
			110 ó 124	Random
			125 ó 129	Open
			130 ó 144	Random fast on/ramp off
			145 ó 149	Open
			150 ó 164	Random slow on/fast off
			165 ó 169	Open
			170 ó 184	Pulse
	185 ó 189	Open		
	190 ó 204	Random pulse		
	205 ó 209	Open		
	210 ó 224	Fade on/off		
	225 ó 229	Open		
	230 ó 244	Pulse		
	245 ó 255	Open		
	9	Red 1	000 ó 255	0–100%
	10	Fine Red 1	000 ó 255	Fine control (16-bit)
	11	Green 1	000 ó 255	0–100%
	12	Fine Green 1	000 ó 255	Fine control (16-bit)
	13	Blue 1	000 ó 255	0–100%
	14	Fine Blue 1	000 ó 255	Fine control (16-bit)
	15	White 1	000 ó 255	0–100%
	16	Fine White 1	000 ó 255	Fine control (16-bit)
	17	Red 2	000 ó 255	0–100%
	18	Fine Red 2	000 ó 255	Fine control (16-bit)

## DMX Values (Cont.)

56CH (Cont.)	Channel	Function	Value	Percent/Setting
	19	Green 2	000ó 255	0–100%
	20	Fine Green 2	000ó 255	Fine control (16-bit)
	21	Blue 2	000ó 255	0–100%
	22	Fine Blue 2	000ó 255	Fine control (16-bit)
	23	White 2	000ó 255	0–100%
	24	Fine White 2	000ó 255	Fine control (16-bit)
	25	Red 3	000ó 255	0–100%
	26	Fine Red 3	000ó 255	Fine control (16-bit)
	27	Green 3	000ó 255	0–100%
	28	Fine Green 3	000ó 255	Fine control (16-bit)
	29	Blue 3	000ó 255	0–100%
	30	Fine Blue 3	000ó 255	Fine control (16-bit)
	31	White 3	000ó 255	0–100%
	32	Fine White 3	000ó 255	Fine control (16-bit)
	33	Red 4	000ó 255	0–100%
	34	Fine Red 4	000ó 255	Fine control (16-bit)
	35	Green 4	000ó 255	0–100%
	36	Fine Green 4	000ó 255	Fine control (16-bit)
	37	Blue 4	000ó 255	0–100%
	38	Fine Blue 4	000ó 255	Fine control (16-bit)
	39	White 4	000ó 255	0–100%
	40	Fine White 4	000ó 255	Fine control (16-bit)
	41	Red 5	000ó 255	0–100%
	42	Fine Red 5	000ó 255	Fine control (16-bit)
	43	Green 5	000ó 255	0–100%
	44	Fine Green 5	000ó 255	Fine control (16-bit)
	45	Blue 5	000ó 255	0–100%
	46	Fine Blue 5	000ó 255	Fine control (16-bit)
	47	White 5	000ó 255	0–100%
	48	Fine White 5	000ó 255	Fine control (16-bit)

### DMX Values (Cont.)

56CH (Cont.)	Channel	Function	Value	Percent/Setting
			000 ó 004	Open
			005 ó 009	Color 1
			010 ó 014	Color 2
			015 ó 019	Color 3
			020 ó 024	Color 4
			025 ó 029	Color 5
			030 ó 034	Color 6
			035 ó 039	Color 7
			040 ó 044	Color 8
			045 ó 049	Color 9
			050 ó 054	Color 10
			055 ó 059	Color 11
			060 ó 064	Color 12
			065 ó 069	Color 13
			070 ó 074	Color 14
			075 ó 079	Color 15
			080 ó 084	Color 16
			085 ó 089	Color 17
			090 ó 094	Color 18
			095 ó 099	Color 19
	49	Color	100 ó 104	Color 20
			105 ó 109	Color 21
			110 ó 114	Color 22
			115 ó 119	Color 23
			120 ó 124	Color 24
			125 ó 129	Color 25
			130 ó 134	Color 26
			135 ó 139	Color 27
			140 ó 144	Color 28
			145 ó 149	Color 29
			150 ó 154	Color 30
			155 ó 159	Color 31
			160 ó 164	Color 32
			165 ó 169	Color 33
			170 ó 174	Color 34
			175 ó 179	Closed
			180 ó 201	Clockwise color scroll, fast to slow
			202 ó 207	Stop on current color
			208 ó 229	Counter-clockwise color scroll, fast to slow
			230 ó 234	Closed
			235 ó 249	Color scroll
			250 ó 255	Closed

### DMX Values (Cont.)

56CH (Cont.)	Channel	Function	Value	Percent/Setting
			000 ó 007	Zone 1, 2, 3, 4, 5
			008 ó 015	Zone 2, 3, 4, 5
			016 ó 023	Zone 3, 4, 5
			024 ó 031	Zone 4, 5
			032 ó 039	Zone 5
			040 ó 047	No function
			048 ó 055	Zone 1
			056 ó 063	Zone 1, 2
			064 ó 071	Zone 1, 2, 3
			072 ó 079	Zone 1, 2, 3, 4
			080 ó 087	Zone 1, 2, 3, 4, 5
			088 ó 095	Zone 1
			096 ó 103	Zone 2
			104 ó 111	Zone 3
			112 ó 119	Zone 4
			120 ó 127	Zone 5
	<b>50</b>	<b>Zone Selection</b>	128 ó 135	Zone 1, 2
			136 ó 143	Zone 2, 3
			144 ó 151	Zone 3, 4
			152 ó 159	Zone 4, 5
			160 ó 167	Zone 1, 5
			168 ó 175	Zone 1, 2, 3
			176 ó 183	Zone 2, 3, 4
			184 ó 191	Zone 3, 4, 5
			192 ó 199	Zone 1, 4, 5
			200 ó 207	Zone 1, 2, 5
			208 ó 215	Zone 1, 2, 3, 4
			216 ó 223	Zone 2, 3, 4, 5
			224 ó 231	Zone 1, 3, 4, 5
			232 ó 239	Zone 1, 2, 4, 5
			240 ó 247	Zone 1, 2, 3, 5
			250 ó 255	Zone 1, 2, 3, 4, 5

### DMX Values (Cont.)

56CH (Cont.)	Channel	Function	Value	Percent/Setting
	51	Programs	000 015	No function
			016 020	Ring macro 1
			021 025	Ring macro 2
			026 030	Ring macro 3
			031 035	Ring macro 4
			036 040	Ring macro 5
			041 045	Ring macro 6
			046 050	Ring macro 7
			051 055	Ring macro 8
			056 060	Ring macro 9
			061 065	Ring macro 10
			066 070	Ring macro 11
			071 075	Ring macro 12
			076 080	Ring macro 13
			081 085	Ring macro 14
			086 090	Ring macro 15
			091 095	Ring macro 16
			096 100	Ring macro 17
			101 105	Ring macro 18
			106 110	Ring macro 19
			111 115	Ring macro 20
			116 120	Ring macro 21
			121 125	Ring macro 22
			126 130	Ring macro 23
			131 135	Ring macro 24
			136 140	Color ring macro 1
			141 145	Color ring macro 2
			146 150	Color ring macro 3
			151 155	Color ring macro 4
			156 160	Color ring macro 5
			161 165	Color ring macro 6
			166 170	Color ring macro 7
171 175	Color ring macro 8			
176 180	Color ring macro 9			
181 185	Color ring macro 10			
186 190	Color ring macro 11			
191 195	Color ring macro 12			
196 200	Color ring macro 13			
201 205	Color ring macro 14			
206 210	Color ring macro 15			
211 215	Color ring macro 16			
216 220	Color ring macro 17			
221 225	Color ring macro 18			
226 230	Color ring macro 19			
231 235	Color ring macro 20			
236 240	Color ring macro 21			
241 245	Color ring macro 22			
246 250	Color ring macro 23			
251 255	Color ring macro 24			
	52	Auto Speed	000 255	0–100% (Only when using Ch. 51)

## DMX Values (Cont.)

56CH (Cont.)	Channel	Function	Value	Percent/Setting
53		<b>Movement Macros</b>	000 ó 007	No function
			008 ó 023	Effect 1
			024 ó 039	Effect 2
			040 ó 055	Effect 3
			056 ó 071	Effect 4
			072 ó 087	Effect 5
			088 ó 103	Effect 6
			104 ó 119	Effect 7
			120 ó 135	Effect 8
			136 ó 151	Effect 9
			152 ó 167	Effect 10
			168 ó 183	Effect 11
			184 ó 199	Effect 12
			200 ó 215	Effect 13
			216 ó 231	Effect 14
			232 ó 247	Effect 15
			248 ó 255	Effect 16
54		<b>Movement Macro Speed</b>	000 ó 255	0–100%
55		<b>Zoom</b>	000 ó 255	0–100%



## DMX Values (Cont.)

56CH (Cont.)	Channel	Function	Value	Percent/Setting
			000 ó 009	No function
			010 ó 014	Blackout during pan/tilt
			015 ó 019	No function
			020 ó 024	No function
			025 ó 029	No function
			030 ó 034	No function
			035 ó 039	No function
			040 ó 044	No function
			045 ó 049	No function
			050 ó 054	Pan reset (5 s activation delay)
			055 ó 059	Tilt reset (5 s activation delay)
			060 ó 064	Zoom reset (5 s activation delay)
			065 ó 069	No function
			070 ó 074	All reset (5 s activation delay)
			075 ó 079	No function
			080 ó 084	Pan/Tilt movement reverse (5 s activation delay)
	56	Control	085 ó 089	Pan movement reverse (5 s activation delay)
			090 ó 094	Tilt movement reverse (5 s activation delay)
			095 ó 099	Disable Pan movement reverse (5 s activation delay)
			100 ó 104	Disable Tilt movement reverse (5 s activation delay)
			105 ó 109	Disable Pan/Tilt movement reverse (5 s activation delay)
			110 ó 114	No function
			115 ó 119	No function
			120 ó 124	Eco fan (5 s activation delay)
			125 ó 129	Full fan (5 s activation delay)
			130 ó 134	Auto fan (5 s activation delay)
			135 ó 139	Fast dimmer curve (5 s activation delay)
			140 ó 144	Smooth dimmer curve (5 s activation delay)
			145 ó 255	No function

## DMX Values (Cont.)

54CH	Channel	Function	Value	Percent/Setting
	1	<b>Pan</b>	000ó 255	0–100%
	2	<b>Fine Pan</b>	000ó 255	Fine control (16-bit)
	3	<b>Tilt</b>	000ó 255	0–100%
	4	<b>Fine Tilt</b>	000ó 255	Fine control (16-bit)
	5	<b>Pan/Tilt Speed</b>	000ó 255	0–100%
	6	<b>Dimmer</b>	000ó 255	0–100%
	7	<b>Fine Dimmer</b>	000ó 255	Fine control (16-bit)
	8	<b>Shutter</b>	000ó 019	Closed
			020ó 024	Open
			025ó 064	Fast to slow
			065ó 069	Open
			070ó 084	Fast on/ramp off
			085ó 089	Open
			090ó 104	Ramp off/fast on
			105ó 109	Open
			110ó 124	Random
			125ó 129	Open
			130ó 144	Random fast on/ramp off
			145ó 149	Open
			150ó 164	Random slow on/fast off
			165ó 169	Open
			170ó 184	Pulse
			185ó 189	Open
	190ó 204	Random pulse		
	205ó 209	Open		
	210ó 224	Fade on/off		
	225ó 229	Open		
	230ó 244	Pulse		
	245ó 255	Open		
	9	<b>Red 1</b>	000ó 255	0–100%
	10	<b>Fine Red 1</b>	000ó 255	Fine control (16-bit)
	11	<b>Green 1</b>	000ó 255	0–100%
	12	<b>Fine Green 1</b>	000ó 255	Fine control (16-bit)
	13	<b>Blue 1</b>	000ó 255	0–100%
	14	<b>Fine Blue 1</b>	000ó 255	Fine control (16-bit)
	15	<b>White 1</b>	000ó 255	0–100%
	16	<b>Fine White 1</b>	000ó 255	Fine control (16-bit)
	17	<b>Red 2</b>	000ó 255	0–100%
	18	<b>Fine Red 2</b>	000ó 255	Fine control (16-bit)

## DMX Values (Cont.)

54CH (Cont.)	Channel	Function	Value	Percent/Setting
	19	Green 2	000ó 255	0–100%
	20	Fine Green 2	000ó 255	Fine control (16-bit)
	21	Blue 2	000ó 255	0–100%
	22	Fine Blue 2	000ó 255	Fine control (16-bit)
	23	White 2	000ó 255	0–100%
	24	Fine White 2	000ó 255	Fine control (16-bit)
	25	Red 3	000ó 255	0–100%
	26	Fine Red 3	000ó 255	Fine control (16-bit)
	27	Green 3	000ó 255	0–100%
	28	Fine Green 3	000ó 255	Fine control (16-bit)
	29	Blue 3	000ó 255	0–100%
	30	Fine Blue 3	000ó 255	Fine control (16-bit)
	31	White 3	000ó 255	0–100%
	32	Fine White 3	000ó 255	Fine control (16-bit)
	33	Red 4	000ó 255	0–100%
	34	Fine Red 4	000ó 255	Fine control (16-bit)
	35	Green 4	000ó 255	0–100%
	36	Fine Green 4	000ó 255	Fine control (16-bit)
	37	Blue 4	000ó 255	0–100%
	38	Fine Blue 4	000ó 255	Fine control (16-bit)
	39	White 4	000ó 255	0–100%
	40	Fine White 4	000ó 255	Fine control (16-bit)
	41	Red 5	000ó 255	0–100%
	42	Fine Red 5	000ó 255	Fine control (16-bit)
	43	Green 5	000ó 255	0–100%
	44	Fine Green 5	000ó 255	Fine control (16-bit)
	45	Blue 5	000ó 255	0–100%
	46	Fine Blue 5	000ó 255	Fine control (16-bit)
	47	White 5	000ó 255	0–100%
	48	Fine White 5	000ó 255	Fine control (16-bit)

## DMX Values (Cont.)

54CH (Cont.)	Channel	Function	Value	Percent/Setting
			000 ó 004	Open
			005 ó 009	Color 1
			010 ó 014	Color 2
			015 ó 019	Color 3
			020 ó 024	Color 4
			025 ó 029	Color 5
			030 ó 034	Color 6
			035 ó 039	Color 7
			040 ó 044	Color 8
			045 ó 049	Color 9
			050 ó 054	Color 10
			055 ó 059	Color 11
			060 ó 064	Color 12
			065 ó 069	Color 13
			070 ó 074	Color 14
			075 ó 079	Color 15
			080 ó 084	Color 16
			085 ó 089	Color 17
			090 ó 094	Color 18
			095 ó 099	Color 19
	49	Color	100 ó 104	Color 20
			105 ó 109	Color 21
			110 ó 114	Color 22
			115 ó 119	Color 23
			120 ó 124	Color 24
			125 ó 129	Color 25
			130 ó 134	Color 26
			135 ó 139	Color 27
			140 ó 144	Color 28
			145 ó 149	Color 29
			150 ó 154	Color 30
			155 ó 159	Color 31
			160 ó 164	Color 32
			165 ó 169	Color 33
			170 ó 174	Color 34
			175 ó 179	Closed
			180 ó 201	Clockwise color scroll, fast to slow
			202 ó 207	Stop on current color
			208 ó 229	Counter-clockwise color scroll, fast to slow
			230 ó 234	Closed
			235 ó 249	Color scroll
			250 ó 255	Closed

### DMX Values (Cont.)

54CH (Cont.)	Channel	Function	Value	Percent/Setting
	50	Zone Selection	000 ó 007	Zone 1, 2, 3, 4, 5
			008 ó 015	Zone 2, 3, 4, 5
			016 ó 023	Zone 3, 4, 5
			024 ó 031	Zone 4, 5
			032 ó 039	Zone 5
			040 ó 047	No function
			048 ó 055	Zone 1
			056 ó 063	Zone 1, 2
			064 ó 071	Zone 1, 2, 3
			072 ó 079	Zone 1, 2, 3, 4
			080 ó 087	Zone 1, 2, 3, 4, 5
			088 ó 095	Zone 1
			096 ó 103	Zone 2
			104 ó 111	Zone 3
			112 ó 119	Zone 4
			120 ó 127	Zone 5
			128 ó 135	Zone 1, 2
			136 ó 143	Zone 2, 3
			144 ó 151	Zone 3, 4
			152 ó 159	Zone 4, 5
			160 ó 167	Zone 1, 5
			168 ó 175	Zone 1, 2, 3
			176 ó 183	Zone 2, 3, 4
			184 ó 191	Zone 3, 4, 5
			192 ó 199	Zone 1, 4, 5
			200 ó 207	Zone 1, 2, 5
			208 ó 215	Zone 1, 2, 3, 4
			216 ó 223	Zone 2, 3, 4, 5
			224 ó 231	Zone 1, 3, 4, 5
			232 ó 239	Zone 1, 2, 4, 5
	240 ó 247	Zone 1, 2, 3, 5		
	250 ó 255	Zone 1, 2, 3, 4, 5		

## DMX Values (Cont.)

54CH (Cont.)	Channel	Function	Value	Percent/Setting
	51	Programs	000 ó 015	No function
			016 ó 020	Ring macro 1
			021 ó 025	Ring macro 2
			026 ó 030	Ring macro 3
			031 ó 035	Ring macro 4
			036 ó 040	Ring macro 5
			041 ó 045	Ring macro 6
			046 ó 050	Ring macro 7
			051 ó 055	Ring macro 8
			056 ó 060	Ring macro 9
			061 ó 065	Ring macro 10
			066 ó 070	Ring macro 11
			071 ó 075	Ring macro 12
			076 ó 080	Ring macro 13
			081 ó 085	Ring macro 14
			086 ó 090	Ring macro 15
			091 ó 095	Ring macro 16
			096 ó 100	Ring macro 17
			101 ó 105	Ring macro 18
			106 ó 110	Ring macro 19
			111 ó 115	Ring macro 20
			116 ó 120	Ring macro 21
			121 ó 125	Ring macro 22
			126 ó 130	Ring macro 23
			131 ó 135	Ring macro 24
			136 ó 140	Color ring macro 1
			141 ó 145	Color ring macro 2
			146 ó 150	Color ring macro 3
			151 ó 155	Color ring macro 4
			156 ó 160	Color ring macro 5
			161 ó 165	Color ring macro 6
			166 ó 170	Color ring macro 7
171 ó 175	Color ring macro 8			
176 ó 180	Color ring macro 9			
181 ó 185	Color ring macro 10			
186 ó 190	Color ring macro 11			
191 ó 195	Color ring macro 12			
196 ó 200	Color ring macro 13			
201 ó 205	Color ring macro 14			
206 ó 210	Color ring macro 15			
211 ó 215	Color ring macro 16			
216 ó 220	Color ring macro 17			
221 ó 225	Color ring macro 18			
226 ó 230	Color ring macro 19			
231 ó 235	Color ring macro 20			
236 ó 240	Color ring macro 21			
241 ó 245	Color ring macro 22			
246 ó 250	Color ring macro 23			
251 ó 255	Color ring macro 24			
	52	Auto Speed	000 ó 255	0–100% (Only when using Ch. 51)

## DMX Values (Cont.)

54CH (Cont.)	Channel	Function	Value	Percent/Setting
	53	Zoom	000 ó 255	0–100%
			000 ó 009	No function
			010 ó 014	Blackout during pan/tilt
			015 ó 019	No function
			020 ó 024	No function
			025 ó 029	No function
			030 ó 034	No function
			035 ó 039	No function
			040 ó 044	No function
			045 ó 049	No function
			050 ó 054	Pan reset (5 s activation delay)
			055 ó 059	Tilt reset (5 s activation delay)
			060 ó 064	Zoom reset (5 s activation delay)
			065 ó 069	No function
			070 ó 074	All reset (5 s activation delay)
			075 ó 079	No function
			080 ó 084	Pan/Tilt movement
	54	Control		reverse (5 s activation delay)
			085 ó 089	Pan movement reverse (5 s activation delay)
			090 ó 094	Tilt movement reverse (5 s activation delay)
			095 ó 099	Disable Pan movement
				reverse (5 s activation delay)
			100 ó 104	Disable Tilt movement
				reverse (5 s activation delay)
			105 ó 109	Disable Pan/Tilt movement
				reverse (5 s activation delay)
			110 ó 114	No function
			115 ó 119	No function
			120 ó 124	Eco fan (5 s activation delay)
			125 ó 129	Full fan (5 s activation delay)
			130 ó 134	Auto fan (5 s activation delay)
			135 ó 139	Fast dimmer curve (5 s activation delay)
			140 ó 144	Smooth dimmer curve (5 s activation delay)
			145 ó 255	No function

## DMX Values (Cont.)

54CH MS	Channel	Function	Value	Percent/Setting
	1	Pan	000 ó 255	0–100%
	2	Fine Pan	000 ó 255	Fine control (16-bit)
	3	Tilt	000 ó 255	0–100%
	4	Fine Tilt	000 ó 255	Fine control (16-bit)
	5	Pan/Tilt Speed	000 ó 255	0–100%
	6	Dimmer	000 ó 255	0–100%
	7	Fine Dimmer	000 ó 255	Fine control (16-bit)
	8	Shutter	000 ó 019	Closed
			020 ó 024	Open
			025 ó 064	Fast to slow
			065 ó 069	Open
			070 ó 084	Fast on/ramp off
			085 ó 089	Open
			090 ó 104	Ramp off/fast on
			105 ó 109	Open
			110 ó 124	Random
			125 ó 129	Open
			130 ó 144	Random fast on/ramp off
			145 ó 149	Open
			150 ó 164	Random slow on/fast off
			165 ó 169	Open
			170 ó 184	Pulse
			185 ó 189	Open
			190 ó 204	Random pulse
	205 ó 209	Open		
	210 ó 224	Fade on/off		
	225 ó 229	Open		
	230 ó 244	Pulse		
	245 ó 255	Open		



### DMX Values (Cont.)

54CH MS (Cont.)	Channel	Function	Value	Percent/Setting
			000 ó 004	Open
			005 ó 009	Color 1
			010 ó 014	Color 2
			015 ó 019	Color 3
			020 ó 024	Color 4
			025 ó 029	Color 5
			030 ó 034	Color 6
			035 ó 039	Color 7
			040 ó 044	Color 8
			045 ó 049	Color 9
			050 ó 054	Color 10
			055 ó 059	Color 11
			060 ó 064	Color 12
			065 ó 069	Color 13
			070 ó 074	Color 14
			075 ó 079	Color 15
			080 ó 084	Color 16
			085 ó 089	Color 17
			090 ó 094	Color 18
			095 ó 099	Color 19
	9	Color	100 ó 104	Color 20
			105 ó 109	Color 21
			110 ó 114	Color 22
			115 ó 119	Color 23
			120 ó 124	Color 24
			125 ó 129	Color 25
			130 ó 134	Color 26
			135 ó 139	Color 27
			140 ó 144	Color 28
			145 ó 149	Color 29
			150 ó 154	Color 30
			155 ó 159	Color 31
			160 ó 164	Color 32
			165 ó 169	Color 33
			170 ó 174	Color 34
			175 ó 179	Closed
			180 ó 201	Clockwise color scroll, fast to slow
			202 ó 207	Stop on current color
			208 ó 229	Counter-clockwise color scroll, fast to slow
			230 ó 234	Closed
			235 ó 249	Color scroll
			250 ó 255	Closed

## DMX Values (Cont.)

54CH MS (Cont.)	Channel	Function	Value	Percent/Setting
	<b>10</b>	<b>Zone Selection</b>	000 ó 007	Zone 1, 2, 3, 4, 5
			008 ó 015	Zone 2, 3, 4, 5
			016 ó 023	Zone 3, 4, 5
			024 ó 031	Zone 4, 5
			032 ó 039	Zone 5
			040 ó 047	No function
			048 ó 055	Zone 1
			056 ó 063	Zone 1, 2
			064 ó 071	Zone 1, 2, 3
			072 ó 079	Zone 1, 2, 3, 4
			080 ó 087	Zone 1, 2, 3, 4, 5
			088 ó 095	Zone 1
			096 ó 103	Zone 2
			104 ó 111	Zone 3
			112 ó 119	Zone 4
			120 ó 127	Zone 5
			128 ó 135	Zone 1, 2
			136 ó 143	Zone 2, 3
			144 ó 151	Zone 3, 4
			152 ó 159	Zone 4, 5
			160 ó 167	Zone 1, 5
			168 ó 175	Zone 1, 2, 3
			176 ó 183	Zone 2, 3, 4
			184 ó 191	Zone 3, 4, 5
			192 ó 199	Zone 1, 4, 5
	200 ó 207	Zone 1, 2, 5		
	208 ó 215	Zone 1, 2, 3, 4		
	216 ó 223	Zone 2, 3, 4, 5		
	224 ó 231	Zone 1, 3, 4, 5		
	232 ó 239	Zone 1, 2, 4, 5		
	240 ó 247	Zone 1, 2, 3, 5		
	250 ó 255	Zone 1, 2, 3, 4, 5		

## DMX Values (Cont.)

54CH MS (Cont.)	Channel	Function	Value	Percent/Setting
			000 ó 015	No function
			016 ó 020	Ring macro 1
			021 ó 025	Ring macro 2
			026 ó 030	Ring macro 3
			031 ó 035	Ring macro 4
			036 ó 040	Ring macro 5
			041 ó 045	Ring macro 6
			046 ó 050	Ring macro 7
			051 ó 055	Ring macro 8
			056 ó 060	Ring macro 9
			061 ó 065	Ring macro 10
			066 ó 070	Ring macro 11
			071 ó 075	Ring macro 12
			076 ó 080	Ring macro 13
			081 ó 085	Ring macro 14
			086 ó 090	Ring macro 15
			091 ó 095	Ring macro 16
			096 ó 100	Ring macro 17
			101 ó 105	Ring macro 18
			106 ó 110	Ring macro 19
			111 ó 115	Ring macro 20
			116 ó 120	Ring macro 21
			121 ó 125	Ring macro 22
			126 ó 130	Ring macro 23
			131 ó 135	Ring macro 24
			136 ó 140	Color ring macro 1
			141 ó 145	Color ring macro 2
			146 ó 150	Color ring macro 3
			151 ó 155	Color ring macro 4
			156 ó 160	Color ring macro 5
			161 ó 165	Color ring macro 6
			166 ó 170	Color ring macro 7
			171 ó 175	Color ring macro 8
			176 ó 180	Color ring macro 9
			181 ó 185	Color ring macro 10
			186 ó 190	Color ring macro 11
			191 ó 195	Color ring macro 12
			196 ó 200	Color ring macro 13
			201 ó 205	Color ring macro 14
			206 ó 210	Color ring macro 15
			211 ó 215	Color ring macro 16
			216 ó 220	Color ring macro 17
			221 ó 225	Color ring macro 18
			226 ó 230	Color ring macro 19
			231 ó 235	Color ring macro 20
			236 ó 240	Color ring macro 21
			241 ó 245	Color ring macro 22
			246 ó 250	Color ring macro 23
			251 ó 255	Color ring macro 24
	<b>11</b>	<b>Programs</b>		
	<b>12</b>	<b>Auto Speed</b>	000 ó 255	0–100% (Only when using Ch. 11)

## DMX Values (Cont.)

54CH MS (Cont.)	Channel	Function	Value	Percent/Setting
	13	Zoom	000 ó 255	0–100%
	14	Control	000 ó 009	No function
			010 ó 014	Blackout during pan/tilt
			015 ó 019	No function
			020 ó 024	No function
			025 ó 029	No function
			030 ó 034	No function
			035 ó 039	No function
			040 ó 044	No function
			045 ó 049	No function
			050 ó 054	Pan reset (5 s activation delay)
			055 ó 059	Tilt reset (5 s activation delay)
			060 ó 064	Zoom reset (5 s activation delay)
			065 ó 069	No function
			070 ó 074	All reset (5 s activation delay)
			075 ó 079	No function
			080 ó 084	Pan/Tilt movement reverse (5 s activation delay)
			085 ó 089	Pan movement reverse (5 s activation delay)
			090 ó 094	Tilt movement reverse (5 s activation delay)
			095 ó 099	Disable Pan movement reverse (5 s activation delay)
			100 ó 104	Disable Tilt movement reverse (5 s activation delay)
			105 ó 109	Disable Pan/Tilt movement reverse (5 s activation delay)
	110 ó 114	No function		
	115 ó 119	No function		
	120 ó 124	Economy fan (5 s activation delay)		
	125 ó 129	Full fan (5 s activation delay)		
	130 ó 134	Auto fan (5 s activation delay)		
	135 ó 139	Fast dimmer curve (5 s activation delay)		
	140 ó 144	Smooth dimmer curve (5 s activation delay)		
	145 ó 255	No function		
	15	Red 1	000 ó 255	0–100%
	16	Fine Red 1	000 ó 255	Fine control (16-bit)
	17	Green 1	000 ó 255	0–100%
	18	Fine Green 1	000 ó 255	Fine control (16-bit)
	19	Blue 1	000 ó 255	0–100%
	20	Fine Blue 1	000 ó 255	Fine control (16-bit)
	21	White 1	000 ó 255	0–100%
	22	Fine White 1	000 ó 255	Fine control (16-bit)
	23	Red 2	000 ó 255	0–100%
	24	Fine Red 2	000 ó 255	Fine control (16-bit)

## DMX Values (Cont.)

54CH MS (Cont.)	Channel	Function	Value	Percent/Setting
	25	Green 2	000ó 255	0–100%
	26	Fine Green 2	000ó 255	Fine control (16-bit)
	27	Blue 2	000ó 255	0–100%
	28	Fine Blue 2	000ó 255	Fine control (16-bit)
	29	White 2	000ó 255	0–100%
	30	Fine White 2	000ó 255	Fine control (16-bit)
	31	Red 3	000ó 255	0–100%
	32	Fine Red 3	000ó 255	Fine control (16-bit)
	33	Green 3	000ó 255	0–100%
	34	Fine Green 3	000ó 255	Fine control (16-bit)
	35	Blue 3	000ó 255	0–100%
	36	Fine Blue 3	000ó 255	Fine control (16-bit)
	37	White 3	000ó 255	0–100%
	38	Fine White 3	000ó 255	Fine control (16-bit)
	39	Red 4	000ó 255	0–100%
	40	Fine Red 4	000ó 255	Fine control (16-bit)
	41	Green 4	000ó 255	0–100%
	42	Fine Green 4	000ó 255	Fine control (16-bit)
	43	Blue 4	000ó 255	0–100%
	44	Fine Blue 4	000ó 255	Fine control (16-bit)
	45	White 4	000ó 255	0–100%
	46	Fine White 4	000ó 255	Fine control (16-bit)
	47	Red 5	000ó 255	0–100%
	48	Fine Red 5	000ó 255	Fine control (16-bit)
	49	Green 5	000ó 255	0–100%
	50	Fine Green 5	000ó 255	Fine control (16-bit)
	51	Blue 5	000ó 255	0–100%
	52	Fine Blue 5	000ó 255	Fine control (16-bit)
	53	White 5	000ó 255	0–100%
	54	Fine White 5	000ó 255	Fine control (16-bit)

## DMX Values (Cont.)

33CH	Channel	Function	Value	Percent/Setting
	1	Pan	000ó 255	0–100%
	2	Fine Pan	000ó 255	Fine control (16-bit)
	3	Tilt	000ó 255	0–100%
	4	Fine Tilt	000ó 255	Fine control (16-bit)
	5	Pan/Tilt Speed	000ó 255	0–100%
	6	Dimmer	000ó 255	0–100%
	7	Shutter	000ó 019	Closed
			020ó 024	Open
			025ó 064	Fast to slow
			065ó 069	Open
			070ó 084	Fast on/ramp off
			085ó 089	Open
			090ó 104	Ramp off/fast on
			105ó 109	Open
			110ó 124	Random
			125ó 129	Open
			130ó 144	Random fast on/ramp off
			145ó 149	Open
			150ó 164	Random slow on/fast off
			165ó 169	Open
			170ó 184	Pulse
			185ó 189	Open
	190ó 204	Random pulse		
	205ó 209	Open		
	210ó 224	Fade on/off		
	225ó 229	Open		
	230ó 244	Pulse		
	245ó 255	Open		
	8	Red 1	000ó 255	0–100%
	9	Green 1	000ó 255	0–100%
	10	Blue 1	000ó 255	0–100%
	11	White 1	000ó 255	0–100%
	12	Red 2	000ó 255	0–100%
	13	Green 2	000ó 255	0–100%
	14	Blue 2	000ó 255	0–100%
	15	White 2	000ó 255	0–100%
	16	Red 3	000ó 255	0–100%
	17	Green 3	000ó 255	0–100%
	18	Blue 3	000ó 255	0–100%
	19	White 3	000ó 255	0–100%
	20	Red 4	000ó 255	0–100%
	21	Green 4	000ó 255	0–100%
	22	Blue 4	000ó 255	0–100%
	23	White 4	000ó 255	0–100%

### DMX Values (Cont.)

33CH (Cont.)	Channel	Function	Value	Percent/Setting
	24	Red 5	000ó 255	0–100%
	25	Green 5	000ó 255	0–100%
	26	Blue 5	000ó 255	0–100%
	27	White 5	000ó 255	0–100%
	28	Color	000ó 004	Open
			005ó 009	Color 1
			010ó 014	Color 2
			015ó 019	Color 3
			020ó 024	Color 4
			025ó 029	Color 5
			030ó 034	Color 6
			035ó 039	Color 7
			040ó 044	Color 8
			045ó 049	Color 9
			050ó 054	Color 10
			055ó 059	Color 11
			060ó 064	Color 12
			065ó 069	Color 13
			070ó 074	Color 14
			075ó 079	Color 15
			080ó 084	Color 16
			085ó 089	Color 17
			090ó 094	Color 18
			095ó 099	Color 19
			100ó 104	Color 20
			105ó 109	Color 21
			110ó 114	Color 22
			115ó 119	Color 23
			120ó 124	Color 24
			125ó 129	Color 25
			130ó 134	Color 26
			135ó 139	Color 27
			140ó 144	Color 28
			145ó 149	Color 29
			150ó 154	Color 30
			155ó 159	Color 31
	160ó 164	Color 32		
	165ó 169	Color 33		
	170ó 174	Color 34		
	175ó 179	Closed		
	180ó 201	Clockwise color scroll, fast to slow		
	202ó 207	Stop on current color		
	208ó 229	Counter-clockwise color scroll, fast to slow		
	230ó 234	Closed		
	235ó 249	Color scroll		
	250ó 255	Closed		

## DMX Values (Cont.)

33CH (Cont.)	Channel	Function	Value	Percent/Setting
			000 ó 007	Zone 1, 2, 3, 4, 5
			008 ó 015	Zone 2, 3, 4, 5
			016 ó 023	Zone 3, 4, 5
			024 ó 031	Zone 4, 5
			032 ó 039	Zone 5
			040 ó 047	No function
			048 ó 055	Zone 1
			056 ó 063	Zone 1, 2
			064 ó 071	Zone 1, 2, 3
			072 ó 079	Zone 1, 2, 3, 4
			080 ó 087	Zone 1, 2, 3, 4, 5
			088 ó 095	Zone 1
			096 ó 103	Zone 2
			104 ó 111	Zone 3
			112 ó 119	Zone 4
			120 ó 127	Zone 5
	<b>29</b>	<b>Zone Selection</b>	128 ó 135	Zone 1, 2
			136 ó 143	Zone 2, 3
			144 ó 151	Zone 3, 4
			152 ó 159	Zone 4, 5
			160 ó 167	Zone 1, 5
			168 ó 175	Zone 1, 2, 3
			176 ó 183	Zone 2, 3, 4
			184 ó 191	Zone 3, 4, 5
			192 ó 199	Zone 1, 4, 5
			200 ó 207	Zone 1, 2, 5
			208 ó 215	Zone 1, 2, 3, 4
			216 ó 223	Zone 2, 3, 4, 5
			224 ó 231	Zone 1, 3, 4, 5
			232 ó 239	Zone 1, 2, 4, 5
			240 ó 247	Zone 1, 2, 3, 5
			250 ó 255	Zone 1, 2, 3, 4, 5



### DMX Values (Cont.)

33CH (Cont.)	Channel	Function	Value	Percent/Setting
	30	Programs	000 ó 015	No function
			016 ó 020	Ring macro 1
			021 ó 025	Ring macro 2
			026 ó 030	Ring macro 3
			031 ó 035	Ring macro 4
			036 ó 040	Ring macro 5
			041 ó 045	Ring macro 6
			046 ó 050	Ring macro 7
			051 ó 055	Ring macro 8
			056 ó 060	Ring macro 9
			061 ó 065	Ring macro 10
			066 ó 070	Ring macro 11
			071 ó 075	Ring macro 12
			076 ó 080	Ring macro 13
			081 ó 085	Ring macro 14
			086 ó 090	Ring macro 15
			091 ó 095	Ring macro 16
			096 ó 100	Ring macro 17
			101 ó 105	Ring macro 18
			106 ó 110	Ring macro 19
			111 ó 115	Ring macro 20
			116 ó 120	Ring macro 21
			121 ó 125	Ring macro 22
			126 ó 130	Ring macro 23
131 ó 135	Ring macro 24			
136 ó 140	Color ring macro 1			
141 ó 145	Color ring macro 2			
146 ó 150	Color ring macro 3			
151 ó 155	Color ring macro 4			
156 ó 160	Color ring macro 5			
161 ó 165	Color ring macro 6			
166 ó 170	Color ring macro 7			
171 ó 175	Color ring macro 8			
176 ó 180	Color ring macro 9			
181 ó 185	Color ring macro 10			
186 ó 190	Color ring macro 11			
191 ó 195	Color ring macro 12			
196 ó 200	Color ring macro 13			
201 ó 205	Color ring macro 14			
206 ó 210	Color ring macro 15			
211 ó 215	Color ring macro 16			
216 ó 220	Color ring macro 17			
221 ó 225	Color ring macro 18			
226 ó 230	Color ring macro 19			
231 ó 235	Color ring macro 20			
236 ó 240	Color ring macro 21			
241 ó 245	Color ring macro 22			
246 ó 250	Color ring macro 23			
251 ó 255	Color ring macro 24			
31	Auto Speed	000 ó 255	0–100% (Only when using Ch. 30)	

## DMX Values (Cont.)

33CH (Cont.)	Channel	Function	Value	Percent/Setting
	32	Zoom	000 ó 255	0–100%
	33	Control	000 ó 009	No function
			010 ó 014	Blackout during pan/tilt
			015 ó 019	No function
			020 ó 024	No function
			025 ó 029	No function
			030 ó 034	No function
			035 ó 039	No function
			040 ó 044	No function
			045 ó 049	No function
			050 ó 054	Pan reset (5 s activation delay)
			055 ó 059	Tilt reset (5 s activation delay)
			060 ó 064	Zoom reset (5 s activation delay)
			065 ó 069	No function
			070 ó 074	All reset (5 s activation delay)
			075 ó 079	No function
			080 ó 084	Pan/Tilt movement reverse (5 s activation delay)
			085 ó 089	Pan movement reverse (5 s activation delay)
			090 ó 094	Tilt movement reverse (5 s activation delay)
			095 ó 099	Disable Pan movement reverse (5 s activation delay)
			100 ó 104	Disable Tilt movement reverse (5 s activation delay)
			105 ó 109	Disable Pan/Tilt movement reverse (5 s activation delay)
			110 ó 114	No function
			115 ó 119	No function
			120 ó 124	Eco fan (5 s activation delay)
			125 ó 129	Full fan (5 s activation delay)
			130 ó 134	Auto fan (5 s activation delay)
			135 ó 139	Fast dimmer curve (5 s activation delay)
	140 ó 144	Smooth dimmer curve (5 s activation delay)		
	145 ó 255	No function		

## DMX Values (Cont.)

33CH MS	Channel	Function	Value	Percent/Setting
	1	Pan	000 ó 255	0–100%
	2	Fine Pan	000 ó 255	Fine control (16-bit)
	3	Tilt	000 ó 255	0–100%
	4	Fine Tilt	000 ó 255	Fine control (16-bit)
	5	Pan/Tilt Speed	000 ó 255	0–100%
	6	Dimmer	000 ó 255	0–100%
	7	Shutter	000 ó 019	Closed
			020 ó 024	Open
			025 ó 064	Fast to slow
			065 ó 069	Open
			070 ó 084	Fast on/ramp off
			085 ó 089	Open
			090 ó 104	Ramp off/fast on
			105 ó 109	Open
			110 ó 124	Random
			125 ó 129	Open
			130 ó 144	Random fast on/ramp off
			145 ó 149	Open
			150 ó 164	Random slow on/fast off
			165 ó 169	Open
			170 ó 184	Pulse
			185 ó 189	Open
			190 ó 204	Random pulse
	205 ó 209	Open		
	210 ó 224	Fade on/off		
	225 ó 229	Open		
	230 ó 244	Pulse		
	245 ó 255	Open		

## DMX Values (Cont.)

33CH MS (Cont.)	Channel	Function	Value	Percent/Setting
			000 ó 004	Open
			005 ó 009	Color 1
			010 ó 014	Color 2
			015 ó 019	Color 3
			020 ó 024	Color 4
			025 ó 029	Color 5
			030 ó 034	Color 6
			035 ó 039	Color 7
			040 ó 044	Color 8
			045 ó 049	Color 9
			050 ó 054	Color 10
			055 ó 059	Color 11
			060 ó 064	Color 12
			065 ó 069	Color 13
			070 ó 074	Color 14
			075 ó 079	Color 15
			080 ó 084	Color 16
			085 ó 089	Color 17
			090 ó 094	Color 18
			095 ó 099	Color 19
	8	Color	100 ó 104	Color 20
			105 ó 109	Color 21
			110 ó 114	Color 22
			115 ó 119	Color 23
			120 ó 124	Color 24
			125 ó 129	Color 25
			130 ó 134	Color 26
			135 ó 139	Color 27
			140 ó 144	Color 28
			145 ó 149	Color 29
			150 ó 154	Color 30
			155 ó 159	Color 31
			160 ó 164	Color 32
			165 ó 169	Color 33
			170 ó 174	Color 34
			175 ó 179	Closed
			180 ó 201	Clockwise color scroll, fast to slow
			202 ó 207	Stop on current color
			208 ó 229	Counter-clockwise color scroll, fast to slow
			230 ó 234	Closed
			235 ó 249	Color scroll
			250 ó 255	Closed

### DMX Values (Cont.)

33CH MS (Cont.)	Channel	Function	Value	Percent/Setting
9	9	Zone Selection	000 ó 007	Zone 1, 2, 3, 4, 5
			008 ó 015	Zone 2, 3, 4, 5
			016 ó 023	Zone 3, 4, 5
			024 ó 031	Zone 4, 5
			032 ó 039	Zone 5
			040 ó 047	No function
			048 ó 055	Zone 1
			056 ó 063	Zone 1, 2
			064 ó 071	Zone 1, 2, 3
			072 ó 079	Zone 1, 2, 3, 4
			080 ó 087	Zone 1, 2, 3, 4, 5
			088 ó 095	Zone 1
			096 ó 103	Zone 2
			104 ó 111	Zone 3
			112 ó 119	Zone 4
			120 ó 127	Zone 5
			128 ó 135	Zone 1, 2
			136 ó 143	Zone 2, 3
			144 ó 151	Zone 3, 4
			152 ó 159	Zone 4, 5
			160 ó 167	Zone 1, 5
			168 ó 175	Zone 1, 2, 3
			176 ó 183	Zone 2, 3, 4
			184 ó 191	Zone 3, 4, 5
			192 ó 199	Zone 1, 4, 5
200 ó 207	Zone 1, 2, 5			
208 ó 215	Zone 1, 2, 3, 4			
216 ó 223	Zone 2, 3, 4, 5			
224 ó 231	Zone 1, 3, 4, 5			
232 ó 239	Zone 1, 2, 4, 5			
240 ó 247	Zone 1, 2, 3, 5			
250 ó 255	Zone 1, 2, 3, 4, 5			
10	10	Programs	000 ó 015	No function
			016 ó 020	Ring macro 1
			021 ó 025	Ring macro 2
			026 ó 030	Ring macro 3
			031 ó 035	Ring macro 4
			036 ó 040	Ring macro 5
			041 ó 045	Ring macro 6
			046 ó 050	Ring macro 7
			051 ó 055	Ring macro 8
			056 ó 060	Ring macro 9
			061 ó 065	Ring macro 10
			066 ó 070	Ring macro 11
			071 ó 075	Ring macro 12
			076 ó 080	Ring macro 13
			081 ó 085	Ring macro 14
			086 ó 090	Ring macro 15
			091 ó 095	Ring macro 16
			096 ó 100	Ring macro 17
101 ó 105	Ring macro 18			

## DMX Values (Cont.)

33CH MS (Cont.)	Channel	Function	Value	Percent/Setting
10	Programs (Cont.)		106ó 110	Ring macro 19
			111ó 115	Ring macro 20
			116ó 120	Ring macro 21
			121ó 125	Ring macro 22
			126ó 130	Ring macro 23
			131ó 135	Ring macro 24
			136ó 140	Color ring macro 1
			141ó 145	Color ring macro 2
			146ó 150	Color ring macro 3
			151ó 155	Color ring macro 4
			156ó 160	Color ring macro 5
			161ó 165	Color ring macro 6
			166ó 170	Color ring macro 7
			171ó 175	Color ring macro 8
			176ó 180	Color ring macro 9
			181ó 185	Color ring macro 10
			186ó 190	Color ring macro 11
			191ó 195	Color ring macro 12
			196ó 200	Color ring macro 13
			201ó 205	Color ring macro 14
			206ó 210	Color ring macro 15
			211ó 215	Color ring macro 16
			216ó 220	Color ring macro 17
			221ó 225	Color ring macro 18
	226ó 230	Color ring macro 19		
	231ó 235	Color ring macro 20		
	236ó 240	Color ring macro 21		
	241ó 245	Color ring macro 22		
	246ó 250	Color ring macro 23		
	251ó 255	Color ring macro 24		
11	Auto Speed		000ó 255	0–100% (Only when using Ch. 10)
12	Zoom		000ó 255	0–100%
13	Control		000ó 009	No function
			010ó 014	Blackout during pan/tilt
			015ó 019	No function
			020ó 024	No function
			025ó 029	No function
			030ó 034	No function
			035ó 039	No function
			040ó 044	No function
			045ó 049	No function
			050ó 054	Pan reset (5 s activation delay)
			055ó 059	Tilt reset (5 s activation delay)
			060ó 064	Zoom reset (5 s activation delay)
			065ó 069	No function
			070ó 074	All reset (5 s activation delay)
			075ó 079	No function
			080ó 084	Pan/Tilt movement reverse (5 s activation delay)
			085ó 089	Pan movement reverse (5 s activation delay)
	090ó 094	Tilt movement reverse (5 s activation delay)		

## DMX Values (Cont.)

33CH MS (Cont.)	Channel	Function	Value	Percent/Setting	
13	Control (Cont.)	095	099	Disable Pan movement reverse (5 s activation delay)	
		100	104	Disable Tilt movement reverse (5 s activation delay)	
		105	109	Disable Pan/Tilt movement reverse (5 s activation delay)	
		110	114	No function	
		115	119	No function	
		120	124	Economy fan (5 s activation delay)	
		125	129	Full fan (5 s activation delay)	
		130	134	Auto fan (5 s activation delay)	
		135	139	Fast dimmer curve (5 s activation delay)	
		140	144	Smooth dimmer curve (5 s activation delay)	
		145	255	No function	
14	Red 1		000	255	0–100%
15	Green 1		000	255	0–100%
16	Blue 1		000	255	0–100%
17	White 1		000	255	0–100%
18	Red 2		000	255	0–100%
19	Green 2		000	255	0–100%
20	Blue 2		000	255	0–100%
21	White 2		000	255	0–100%
22	Red 3		000	255	0–100%
23	Green 3		000	255	0–100%
24	Blue 3		000	255	0–100%
25	White 3		000	255	0–100%
26	Red 4		000	255	0–100%
27	Green 4		000	255	0–100%
28	Blue 4		000	255	0–100%
29	White 4		000	255	0–100%
30	Red 5		000	255	0–100%
31	Green 5		000	255	0–100%
32	Blue 5		000	255	0–100%
33	White 5		000	255	0–100%

## DMX Values (Cont.)

22CH	Channel	Function	Value	Percent/Setting
	1	<b>Pan</b>	000ó 255	0–100%
	2	<b>Fine Pan</b>	000ó 255	Fine control (16-bit)
	3	<b>Tilt</b>	000ó 255	0–100%
	4	<b>Fine Tilt</b>	000ó 255	Fine control (16-bit)
	5	<b>Pan/Tilt Speed</b>	000ó 255	0–100%
	6	<b>Dimmer</b>	000ó 255	0–100%
	7	<b>Fine Dimmer</b>	000ó 255	Fine control (16-bit)
	8	<b>Shutter</b>	000ó 019	Closed
			020ó 024	Open
			025ó 064	Fast to slow
			065ó 069	Open
			070ó 084	Fast on/ramp off
			085ó 089	Open
			090ó 104	Ramp off/fast on
			105ó 109	Open
			110ó 124	Random
			125ó 129	Open
			130ó 144	Random fast on/ramp off
			145ó 149	Open
			150ó 164	Random slow on/fast off
			165ó 169	Open
			170ó 184	Pulse
	185ó 189	Open		
	190ó 204	Random pulse		
	205ó 209	Open		
	210ó 224	Fade on/off		
	225ó 229	Open		
	230ó 244	Pulse		
	245ó 255	Open		
	9	<b>Red</b>	000ó 255	0–100%
	10	<b>Fine Red</b>	000ó 255	Fine control (16-bit)
	11	<b>Green</b>	000ó 255	0–100%
	12	<b>Fine Green</b>	000ó 255	Fine control (16-bit)
	13	<b>Blue</b>	000ó 255	0–100%
	14	<b>Fine Blue</b>	000ó 255	Fine control (16-bit)
	15	<b>White</b>	000ó 255	0–100%
	16	<b>Fine White</b>	000ó 255	Fine control (16-bit)



## DMX Values (Cont.)

22CH (Cont.)	Channel	Function	Value	Percent/Setting
			000 ó 004	Open
			005 ó 009	Color 1
			010 ó 014	Color 2
			015 ó 019	Color 3
			020 ó 024	Color 4
			025 ó 029	Color 5
			030 ó 034	Color 6
			035 ó 039	Color 7
			040 ó 044	Color 8
			045 ó 049	Color 9
			050 ó 054	Color 10
			055 ó 059	Color 11
			060 ó 064	Color 12
			065 ó 069	Color 13
			070 ó 074	Color 14
			075 ó 079	Color 15
			080 ó 084	Color 16
			085 ó 089	Color 17
			090 ó 094	Color 18
			095 ó 099	Color 19
	17	Color	100 ó 104	Color 20
			105 ó 109	Color 21
			110 ó 114	Color 22
			115 ó 119	Color 23
			120 ó 124	Color 24
			125 ó 129	Color 25
			130 ó 134	Color 26
			135 ó 139	Color 27
			140 ó 144	Color 28
			145 ó 149	Color 29
			150 ó 154	Color 30
			155 ó 159	Color 31
			160 ó 164	Color 32
			165 ó 169	Color 33
			170 ó 174	Color 34
			175 ó 179	Closed
			180 ó 201	Clockwise color scroll, fast to slow
			202 ó 207	Stop on current color
			208 ó 229	Counter-clockwise color scroll, fast to slow
			230 ó 234	Closed
			235 ó 249	Color scroll
			250 ó 255	Closed

## DMX Values (Cont.)

22CH (Cont.)	Channel	Function	Value	Percent/Setting
	18	Zone Selection	000 ó 007	Zone 1, 2, 3, 4, 5
			008 ó 015	Zone 2, 3, 4, 5
			016 ó 023	Zone 3, 4, 5
			024 ó 031	Zone 4, 5
			032 ó 039	Zone 5
			040 ó 047	No function
			048 ó 055	Zone 1
			056 ó 063	Zone 1, 2
			064 ó 071	Zone 1, 2, 3
			072 ó 079	Zone 1, 2, 3, 4
			080 ó 087	Zone 1, 2, 3, 4, 5
			088 ó 095	Zone 1
			096 ó 103	Zone 2
			104 ó 111	Zone 3
			112 ó 119	Zone 4
			120 ó 127	Zone 5
			128 ó 135	Zone 1, 2
			136 ó 143	Zone 2, 3
			144 ó 151	Zone 3, 4
			152 ó 159	Zone 4, 5
			160 ó 167	Zone 1, 5
			168 ó 175	Zone 1, 2, 3
			176 ó 183	Zone 2, 3, 4
			184 ó 191	Zone 3, 4, 5
			192 ó 199	Zone 1, 4, 5
	200 ó 207	Zone 1, 2, 5		
	208 ó 215	Zone 1, 2, 3, 4		
	216 ó 223	Zone 2, 3, 4, 5		
	224 ó 231	Zone 1, 3, 4, 5		
	232 ó 239	Zone 1, 2, 4, 5		
	240 ó 247	Zone 1, 2, 3, 5		
	250 ó 255	Zone 1, 2, 3, 4, 5		

**DMX Values (Cont.)**

22CH (Cont.)	Channel	Function	Value	Percent/Setting
	19	Programs	000 ó 015	No function
			016 ó 020	Ring macro 1
			021 ó 025	Ring macro 2
			026 ó 030	Ring macro 3
			031 ó 035	Ring macro 4
			036 ó 040	Ring macro 5
			041 ó 045	Ring macro 6
			046 ó 050	Ring macro 7
			051 ó 055	Ring macro 8
			056 ó 060	Ring macro 9
			061 ó 065	Ring macro 10
			066 ó 070	Ring macro 11
			071 ó 075	Ring macro 12
			076 ó 080	Ring macro 13
			081 ó 085	Ring macro 14
			086 ó 090	Ring macro 15
			091 ó 095	Ring macro 16
			096 ó 100	Ring macro 17
			101 ó 105	Ring macro 18
			106 ó 110	Ring macro 19
			111 ó 115	Ring macro 20
			116 ó 120	Ring macro 21
			121 ó 125	Ring macro 22
			126 ó 130	Ring macro 23
			131 ó 135	Ring macro 24
			136 ó 140	Color ring macro 1
			141 ó 145	Color ring macro 2
			146 ó 150	Color ring macro 3
			151 ó 155	Color ring macro 4
			156 ó 160	Color ring macro 5
			161 ó 165	Color ring macro 6
			166 ó 170	Color ring macro 7
			171 ó 175	Color ring macro 8
	176 ó 180	Color ring macro 9		
	181 ó 185	Color ring macro 10		
	186 ó 190	Color ring macro 11		
	191 ó 195	Color ring macro 12		
	196 ó 200	Color ring macro 13		
	201 ó 205	Color ring macro 14		
	206 ó 210	Color ring macro 15		
	211 ó 215	Color ring macro 16		
	216 ó 220	Color ring macro 17		
	221 ó 225	Color ring macro 18		
	226 ó 230	Color ring macro 19		
	231 ó 235	Color ring macro 20		
	236 ó 240	Color ring macro 21		
	241 ó 245	Color ring macro 22		
	246 ó 250	Color ring macro 23		
	251 ó 255	Color ring macro 24		
	20	Auto Speed	000 ó 255	0–100% (Only when using Ch. 19)

## DMX Values (Cont.)

22CH (Cont.)	Channel	Function	Value	Percent/Setting
	21	Zoom	000 ó 255	0–100%
			000 ó 009	No function
			010 ó 014	Blackout during pan/tilt
			015 ó 019	No function
			020 ó 024	No function
			025 ó 029	No function
			030 ó 034	No function
			035 ó 039	No function
			040 ó 044	No function
			045 ó 049	No function
			050 ó 054	Pan reset (5 s activation delay)
			055 ó 059	Tilt reset (5 s activation delay)
			060 ó 064	Zoom reset (5 s activation delay)
			065 ó 069	No function
			070 ó 074	All reset (5 s activation delay)
			075 ó 079	No function
			080 ó 084	Pan/Tilt movement
	22	Control		reverse (5 s activation delay)
			085 ó 089	Pan movement reverse (5 s activation delay)
			090 ó 094	Tilt movement reverse (5 s activation delay)
			095 ó 099	Disable Pan movement
				reverse (5 s activation delay)
			100 ó 104	Disable Tilt movement
				reverse (5 s activation delay)
			105 ó 109	Disable Pan/Tilt movement
				reverse (5 s activation delay)
			110 ó 114	No function
			115 ó 119	No function
			120 ó 124	Eco fan (5 s activation delay)
			125 ó 129	Full fan (5 s activation delay)
			130 ó 134	Auto fan (5 s activation delay)
			135 ó 139	Fast dimmer curve (5 s activation delay)
			140 ó 144	Smooth dimmer curve (5 s activation delay)
			145 ó 255	No function

## DMX Values (Cont.)

17CH	Channel	Function	Value	Percent/Setting
	1	Pan	000 ó 255	0–100%
	2	Fine Pan	000 ó 255	Fine control (16-bit)
	3	Tilt	000 ó 255	0–100%
	4	Fine Tilt	000 ó 255	Fine control (16-bit)
	5	Pan/Tilt Speed	000 ó 255	0–100%
	6	Dimmer	000 ó 255	0–100%
	7	Shutter	000 ó 019	Closed
			020 ó 024	Open
			025 ó 064	Fast to slow
			065 ó 069	Open
			070 ó 084	Fast on/ramp off
			085 ó 089	Open
			090 ó 104	Ramp off/fast on
			105 ó 109	Open
			110 ó 124	Random
			125 ó 129	Open
			130 ó 144	Random fast on/ramp off
			145 ó 149	Open
			150 ó 164	Random slow on/fast off
			165 ó 169	Open
			170 ó 184	Pulse
			185 ó 189	Open
	190 ó 204	Random pulse		
	205 ó 209	Open		
	210 ó 224	Fade on/off		
	225 ó 229	Open		
	230 ó 244	Pulse		
	245 ó 255	Open		
	8	Red	000 ó 255	0–100%
	9	Green	000 ó 255	0–100%
	10	Blue	000 ó 255	0–100%
	11	White	000 ó 255	0–100%

## DMX Values (Cont.)

17CH (Cont.)	Channel	Function	Value	Percent/Setting
	12	Color	000 ó 004	Open
			005 ó 009	Color 1
			010 ó 014	Color 2
			015 ó 019	Color 3
			020 ó 024	Color 4
			025 ó 029	Color 5
			030 ó 034	Color 6
			035 ó 039	Color 7
			040 ó 044	Color 8
			045 ó 049	Color 9
			050 ó 054	Color 10
			055 ó 059	Color 11
			060 ó 064	Color 12
			065 ó 069	Color 13
			070 ó 074	Color 14
			075 ó 079	Color 15
			080 ó 084	Color 16
			085 ó 089	Color 17
			090 ó 094	Color 18
			095 ó 099	Color 19
			100 ó 104	Color 20
			105 ó 109	Color 21
			110 ó 114	Color 22
			115 ó 119	Color 23
			120 ó 124	Color 24
			125 ó 129	Color 25
			130 ó 134	Color 26
			135 ó 139	Color 27
			140 ó 144	Color 28
			145 ó 149	Color 29
			150 ó 154	Color 30
			155 ó 159	Color 31
	160 ó 164	Color 32		
	165 ó 169	Color 33		
	170 ó 174	Color 34		
	175 ó 179	Closed		
	180 ó 201	Clockwise color scroll, fast to slow		
	202 ó 207	Stop on current color		
	208 ó 229	Counter-clockwise color scroll, fast to slow		
	230 ó 234	Closed		
	235 ó 249	Color scroll		
	250 ó 255	Closed		

### DMX Values (Cont.)

17CH (Cont.)	Channel	Function	Value	Percent/Setting
	13	Zone Selection	000 ó 007	Zone 1, 2, 3, 4, 5
			008 ó 015	Zone 2, 3, 4, 5
			016 ó 023	Zone 3, 4, 5
			024 ó 031	Zone 4, 5
			032 ó 039	Zone 5
			040 ó 047	No function
			048 ó 055	Zone 1
			056 ó 063	Zone 1, 2
			064 ó 071	Zone 1, 2, 3
			072 ó 079	Zone 1, 2, 3, 4
			080 ó 087	Zone 1, 2, 3, 4, 5
			088 ó 095	Zone 1
			096 ó 103	Zone 2
			104 ó 111	Zone 3
			112 ó 119	Zone 4
			120 ó 127	Zone 5
			128 ó 135	Zone 1, 2
			136 ó 143	Zone 2, 3
			144 ó 151	Zone 3, 4
			152 ó 159	Zone 4, 5
			160 ó 167	Zone 1, 5
			168 ó 175	Zone 1, 2, 3
			176 ó 183	Zone 2, 3, 4
			184 ó 191	Zone 3, 4, 5
			192 ó 199	Zone 1, 4, 5
			200 ó 207	Zone 1, 2, 5
			208 ó 215	Zone 1, 2, 3, 4
			216 ó 223	Zone 2, 3, 4, 5
	224 ó 231	Zone 1, 3, 4, 5		
	232 ó 239	Zone 1, 2, 4, 5		
	240 ó 247	Zone 1, 2, 3, 5		
	250 ó 255	Zone 1, 2, 3, 4, 5		

## DMX Values (Cont.)

17CH (Cont.)	Channel	Function	Value	Percent/Setting
	14	Programs	000 ó 015	No function
			016 ó 020	Ring macro 1
			021 ó 025	Ring macro 2
			026 ó 030	Ring macro 3
			031 ó 035	Ring macro 4
			036 ó 040	Ring macro 5
			041 ó 045	Ring macro 6
			046 ó 050	Ring macro 7
			051 ó 055	Ring macro 8
			056 ó 060	Ring macro 9
			061 ó 065	Ring macro 10
			066 ó 070	Ring macro 11
			071 ó 075	Ring macro 12
			076 ó 080	Ring macro 13
			081 ó 085	Ring macro 14
			086 ó 090	Ring macro 15
			091 ó 095	Ring macro 16
			096 ó 100	Ring macro 17
			101 ó 105	Ring macro 18
			106 ó 110	Ring macro 19
			111 ó 115	Ring macro 20
			116 ó 120	Ring macro 21
			121 ó 125	Ring macro 22
			126 ó 130	Ring macro 23
			131 ó 135	Ring macro 24
			136 ó 140	Color ring macro 1
			141 ó 145	Color ring macro 2
			146 ó 150	Color ring macro 3
			151 ó 155	Color ring macro 4
			156 ó 160	Color ring macro 5
			161 ó 165	Color ring macro 6
			166 ó 170	Color ring macro 7
171 ó 175	Color ring macro 8			
176 ó 180	Color ring macro 9			
181 ó 185	Color ring macro 10			
186 ó 190	Color ring macro 11			
191 ó 195	Color ring macro 12			
196 ó 200	Color ring macro 13			
201 ó 205	Color ring macro 14			
206 ó 210	Color ring macro 15			
211 ó 215	Color ring macro 16			
216 ó 220	Color ring macro 17			
221 ó 225	Color ring macro 18			
226 ó 230	Color ring macro 19			
231 ó 235	Color ring macro 20			
236 ó 240	Color ring macro 21			
241 ó 245	Color ring macro 22			
246 ó 250	Color ring macro 23			
251 ó 255	Color ring macro 24			
	15	Auto Speed	000 ó 255	0–100% (Only when using Ch. 14)



### DMX Values (Cont.)

17CH (Cont.)	Channel	Function	Value	Percent/Setting
	16	<b>Zoom</b>	000 ó 255	0–100%
			000 ó 009	No function
			010 ó 014	Blackout during pan/tilt
			015 ó 019	No function
			020 ó 024	No function
			025 ó 029	No function
			030 ó 034	No function
			035 ó 039	No function
			040 ó 044	No function
			045 ó 049	No function
			050 ó 054	Pan reset (5 s activation delay)
			055 ó 059	Tilt reset (5 s activation delay)
			060 ó 064	Zoom reset (5 s activation delay)
			065 ó 069	No function
			070 ó 074	All reset (5 s activation delay)
			075 ó 079	No function
			080 ó 084	Pan/Tilt movement
	17	<b>Control</b>		reverse (5 s activation delay)
			085 ó 089	Pan movement reverse (5 s activation delay)
			090 ó 094	Tilt movement reverse (5 s activation delay)
			095 ó 099	Disable Pan movement
				reverse (5 s activation delay)
			100 ó 104	Disable Tilt movement
				reverse (5 s activation delay)
			105 ó 109	Disable Pan/Tilt movement
				reverse (5 s activation delay)
			110 ó 114	No function
			115 ó 119	No function
			120 ó 124	Eco fan (5 s activation delay)
			125 ó 129	Full fan (5 s activation delay)
			130 ó 134	Auto fan (5 s activation delay)
			135 ó 139	Fast dimmer curve (5 s activation delay)
			140 ó 144	Smooth dimmer curve (5 s activation delay)
			145 ó 255	No function

## DMX Values (Cont.)

15CH	Channel	Function	Value	Percent/Setting
	1	<b>Pan</b>	000ó 255	0–100%
	2	<b>Fine Pan</b>	000ó 255	Fine control (16-bit)
	3	<b>Tilt</b>	000ó 255	0–100%
	4	<b>Fine Tilt</b>	000ó 255	Fine control (16-bit)
	5	<b>Pan/Tilt Speed</b>	000ó 255	0–100%
	6	<b>Dimmer</b>	000ó 255	0–100%
	7	<b>Fine Dimmer</b>	000ó 255	Fine control (16-bit)
	8	<b>Shutter</b>	000ó 019	Closed
			020ó 024	Open
			025ó 064	Fast to slow
			065ó 069	Open
			070ó 084	Fast on/ramp off
			085ó 089	Open
			090ó 104	Ramp off/fast on
			105ó 109	Open
			110ó 124	Random
			125ó 129	Open
			130ó 144	Random fast on/ramp off
			145ó 149	Open
			150ó 164	Random slow on/fast off
			165ó 169	Open
			170ó 184	Pulse
	185ó 189	Open		
	190ó 204	Random pulse		
	205ó 209	Open		
	210ó 224	Fade on/off		
	225ó 229	Open		
	230ó 244	Pulse		
	245ó 255	Open		
	9	<b>Red</b>	000ó 255	0–100%
	10	<b>Green</b>	000ó 255	0–100%
	11	<b>Blue</b>	000ó 255	0–100%
	12	<b>White</b>	000ó 255	0–100%

### DMX Values (Cont.)

15CH (Cont.)	Channel	Function	Value	Percent/Setting
13	Color		000 ó 004	Open
			005 ó 009	Color 1
			010 ó 014	Color 2
			015 ó 019	Color 3
			020 ó 024	Color 4
			025 ó 029	Color 5
			030 ó 034	Color 6
			035 ó 039	Color 7
			040 ó 044	Color 8
			045 ó 049	Color 9
			050 ó 054	Color 10
			055 ó 059	Color 11
			060 ó 064	Color 12
			065 ó 069	Color 13
			070 ó 074	Color 14
			075 ó 079	Color 15
			080 ó 084	Color 16
			085 ó 089	Color 17
			090 ó 094	Color 18
			095 ó 099	Color 19
			100 ó 104	Color 20
			105 ó 109	Color 21
			110 ó 114	Color 22
			115 ó 119	Color 23
			120 ó 124	Color 24
			125 ó 129	Color 25
			130 ó 134	Color 26
			135 ó 139	Color 27
			140 ó 144	Color 28
			145 ó 149	Color 29
	150 ó 154	Color 30		
	155 ó 159	Color 31		
	160 ó 164	Color 32		
	165 ó 169	Color 33		
	170 ó 174	Color 34		
	175 ó 179	Closed		
	180 ó 201	Clockwise color scroll, fast to slow		
	202 ó 207	Stop on current color		
	208 ó 229	Counter-clockwise color scroll, fast to slow		
	230 ó 234	Closed		
	235 ó 249	Color scroll		
	250 ó 255	Closed		
14	Zoom		000 ó 255	0–100%

## DMX Values (Cont.)

15CH (Cont.)	Channel	Function	Value	Percent/Setting
			000 ó 009	No function
			010 ó 014	Blackout during pan/tilt
			015 ó 019	No function
			020 ó 024	No function
			025 ó 029	No function
			030 ó 034	No function
			035 ó 039	No function
			040 ó 044	No function
			045 ó 049	No function
			050 ó 054	Pan reset (5 s activation delay)
			055 ó 059	Tilt reset (5 s activation delay)
			060 ó 064	Zoom reset (5 s activation delay)
			065 ó 069	No function
			070 ó 074	All reset (5 s activation delay)
			075 ó 079	No function
			080 ó 084	Pan/Tilt movement reverse (5 s activation delay)
			085 ó 089	Pan movement reverse (5 s activation delay)
			090 ó 094	Tilt movement reverse (5 s activation delay)
			095 ó 099	Disable Pan movement reverse (5 s activation delay)
			100 ó 104	Disable Tilt movement reverse (5 s activation delay)
			105 ó 109	Disable Pan/Tilt movement reverse (5 s activation delay)
			110 ó 114	No function
			115 ó 119	No function
			120 ó 124	Eco fan (5 s activation delay)
			125 ó 129	Full fan (5 s activation delay)
			130 ó 134	Auto fan (5 s activation delay)
			135 ó 139	Fast dimmer curve (5 s activation delay)
			140 ó 144	Smooth dimmer curve (5 s activation delay)
			145 ó 255	No function

**15 Control**

## 5. TECHNICAL INFORMATION

### Product Maintenance

To maintain optimum performance and minimize wear, you should clean this product frequently. Usage and environment are contributing factors in determining the cleaning frequency.

As a rule, clean this product at least twice a month. Dust build-up reduces light output performance and can cause overheating. This can lead to reduced light source life and increased mechanical wear.

To clean your product:

1. Unplug the product from power.
2. Wait until the product is at room temperature.
3. Use a vacuum (or dry compressed air) and a soft brush to remove dust collected on the external vents.
4. Clean all external surfaces with a mild solution of non-ammonia glass cleaner or isopropyl alcohol.
5. Apply the solution directly to a soft, lint-free cotton cloth or a lens cleaning tissue.
6. Wipe any dirt or grime to the outside edges of the lens surface.
7. Gently polish the lens surfaces until they are free of haze and lint.



**Always dry the external surfaces thoroughly and carefully after cleaning them.**



**Do not spin the cooling fans while blowing compressed air into them.**

## 6. TECHNICAL SPECIFICATIONS

<b>Dimensions and Weight</b>	<b>Length</b>	<b>Width</b>	<b>Height</b>	<b>Weight</b>
	8.58 in (218 mm)	12.05 in (306 mm)	15.67 in (398 mm)	20.4 lb (9.25 kg)
<b>Note:</b> Dimensions in inches rounded to the nearest decimal digit.				
<b>Power</b>	<b>Power Supply Type</b>	<b>Range</b>		<b>Voltage Selection</b>
	Switching (internal)	100–240 VAC, 50/60 Hz		Auto-ranging
	<b>Parameter</b>	<b>120 VAC, 60 Hz</b>		<b>230 VAC, 50 Hz</b>
	Consumption	339 W		324 W
	Current	2.95 A		1.50 A
	Power linking current (products)	13.6 A (4 products)		13.6 A (9 products)
	Fuse	F 7 A, 250 V		F 7 A, 250 V
	<b>Power I/O</b>	<b>U.S./Canada</b>		<b>Worldwide</b>
	Power input connector	Neutrik® powerCON® A		Neutrik® powerCON® A
	Power cord plug	Edison (U.S.)		Local plug
<b>Light Source</b>	<b>Type</b>	<b>Power</b>	<b>Lifespan</b>	
	LED	15 W	50,000 hours	
<b>Photometric</b>	<b>Parameter</b>	<b>Narrow</b>	<b>Wide</b>	
	Illuminance @ 5 m	8,650 lux	750 lux	
	Beam angle	8°	30°	
	Field angle	12°	49°	
<b>Thermal</b>	<b>Max. External Temperature</b>	<b>Cooling System</b>		
	113 °F (45 °C)	Fan-Cooled		
<b>DMX</b>	<b>I/O Connectors</b>	<b>Connector Type</b>	<b>Channel Range</b>	
	3- and 5-pin XLR	Sockets	15, 17, 22, 33, 54 or 56	
<b>Ordering</b>	<b>Product Name</b>	<b>Item Code</b>	<b>UPC Number</b>	
	Rogue™ R2 Wash	08010910	781462212582	



UL 1573  
 CSA C22.2 No. 166  
 E113093

**Returns** You must send the product prepaid, in the original box, and with the original packing and accessories. Chauvet will not issue call tags. Call Chauvet and request a Return Merchandise Authorization (RMA) number before shipping the product. Be prepared to provide the model number, serial number, and a brief description of the cause(s) for the return. Clearly label the package with an RMA number. Chauvet will refuse any product returned without an RMA number.



**DO NOT write the RMA number directly on the box. Instead, write it on a properly affixed label.**

Once you have received the RMA number, include the following information on a piece of paper inside the box:

- Your name
- Your address
- Your phone number
- The RMA number
- A brief description of the problem(s)

Be sure to pack the product properly. Any shipping damage resulting from inadequate packaging will be the customer's responsibility. FedEx packing or double-boxing is recommended.



**Chauvet reserves the right to use its own discretion to repair or replace returned product(s).**

## CONTACT Us

### WORLD HEADQUARTERS

#### General Information

Address: 5200 NW 108th Avenue  
Sunrise, FL 33351  
Voice: (954) 577-4455  
Fax: (954) 929-5560  
Toll free: (800) 762-1084

### EUROPE

#### General Information

Address: Stokstraat 18  
9770 Kruishoutem  
Belgium  
Voice: **+32 9 388 93 97**

Address: Unit 1C  
Brookhill Road Industrial Estate  
Pinxton, Nottingham, UK  
NG16 6NT  
Voice: +44 (0)1773 511115  
Fax: +44 (0)1773 511110

### MEXICO

#### General Information

Address: Av. de las Partidas 34 – 3B  
Zona Industrial Lerma  
Lerma, Mexico C.P. 52000  
Voice: +52 (728) 285-5000

#### Technical Support

Voice: (844) 393-7575  
Fax: (954) 756-8015  
Email: [Chauvetcs@chauvetlighting.com](mailto:Chauvetcs@chauvetlighting.com)

**World Wide Web** [www.chauvetlighting.com](http://www.chauvetlighting.com)

#### Technical Support

Email: [Eutech@chauvetlighting.eu](mailto:Eutech@chauvetlighting.eu)

**World Wide Web** [www.chauvetlighting.eu](http://www.chauvetlighting.eu)

Email: [uktech@chauvetlighting.com](mailto:uktech@chauvetlighting.com)

**World Wide Web** [www.chauvetlighting.co.uk](http://www.chauvetlighting.co.uk)

#### Technical Support

Email: [servicio@chauvet.com.mx](mailto:servicio@chauvet.com.mx)

**World Wide Web** [www.chauvet.com.mx](http://www.chauvet.com.mx)

Visit the applicable website above to verify our contact information and instructions to request support. Outside the U.S., United Kingdom, Ireland, Mexico, or Benelux contact the dealer of record.