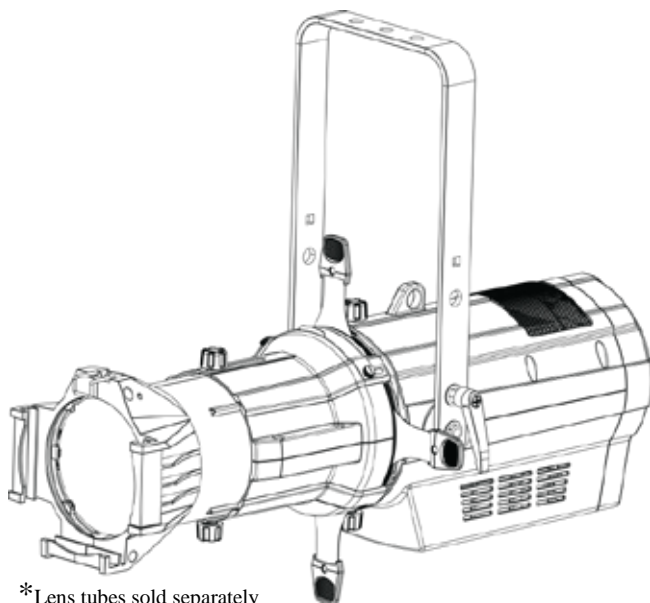


OVATION

E-910FC

Quick Reference Guide

| | |
|------------|----|
| English | EN |
| Español | ES |
| Français | FR |
| Nederlands | NL |



*Lens tubes sold separately



CHAUVET
PROFESSIONAL

About This Guide The Ovation E-910FC Quick Reference Guide (QRG) has basic product information such as connection, mounting, menu options, and DMX values. Download the User Manual from www.chauvetprofessional.com for more details.

Disclaimer The information and specifications contained in this QRG are subject to change without notice.

- Safety Notes**
- DO NOT open this product. It contains no user-serviceable parts.
 - DO NOT look at the light source when the product is on.
 - To eliminate unnecessary wear and improve its lifespan, during periods of non-use completely disconnect the product from power via breaker or by unplugging it.
 - CAUTION: When transferring product from extreme temperature environments, (e.g. cold truck to warm humid ballroom) condensation may form on the internal electronics of the product. To avoid causing a failure, allow product to fully acclimate to the surrounding environment before connecting it to power.
 - CAUTION: This product's housing may be hot when lights are operating.
 - Mount this product in a location with adequate ventilation, at least 20 in (50 cm) from adjacent surfaces.
 - DO NOT leave any flammable material within 50 cm of this product while operating or connected to power.
 - USE a safety cable when mounting this product overhead.
 - DO NOT operate this product outdoors or in any location where dust, excessive heat, water, or humidity may affect it. (IP20)
 - DO NOT operate this product if the housing, lenses, or cables appear damaged.
 - DO NOT connect this product to a dimmer or rheostat.
 - ONLY connect this product to a grounded and protected circuit.
 - ONLY use the hanging/mounting bracket or the handles to carry this product.
 - In the event of a serious operating problem, stop using immediately.
 - The maximum ambient temperature is 113 °F (45 °C). Do not operate this product at higher temperatures.

Contact Outside the U.S., United Kingdom, Ireland, Mexico, or Benelux, contact your distributor to request support or return a product. From inside the U.S., UK, Ireland, Mexico, or Benelux, use the information in [Contact Us](#) at the end of this QRG.

- What Is Included**
- Ovation E-910FC
 - Neutrik powerCON power cord
 - Soft Focus Filter
 - Warranty Card
 - Quick Reference Guide

AC Power This product has an auto-ranging power supply that can work with an input voltage range of 100–240 VAC, 50/60 Hz.

Power Linking You can link up to 6 Ovation E-910FC products at 120 V, 11 products at 208 V, or 12 products at 230 V. Never exceed this number. Power linking cords can be purchased separately.

| AC Plug | Connection | Wire (U.S.) | Wire (Europe) | Screw Color |
|---------|------------|--------------|---------------|--------------|
| | AC Live | Black | Brown | Yellow/Brass |
| | AC Neutral | White | Blue | Silver |
| | AC Ground | Green/Yellow | Green/Yellow | Green |



To eliminate unnecessary wear and improve its lifespan, during periods of non-use completely disconnect the product from power via breaker or by unplugging it.

Replacing The Fuse

1. Disconnect this product from power.
2. Using a flat head screwdriver, unscrew the fuse holder cap from the housing.
3. Remove blown fuse and replace with a good fuse of the same type and rating.
4. Screw the fuse holder cap back in place and reconnect power.

DMX Linking

The Ovation E-910FC will work with a DMX controller using a 3- or 5-pin DMX serial connection. A DMX Primer is available from www.chauvetprofessional.com.

DMX Connection

The Ovation E-910FC uses a 3- or 5-pin DMX data connection for its DMX personalities: **3Ch**, **5Ch**, **7Ch**, **10Ch**, **12Ch**, **13Ch**, **15Ch**, and **HSV**. See the User Manual for information about connecting and configuring the product for DMX operation.

Master/Slave Connection

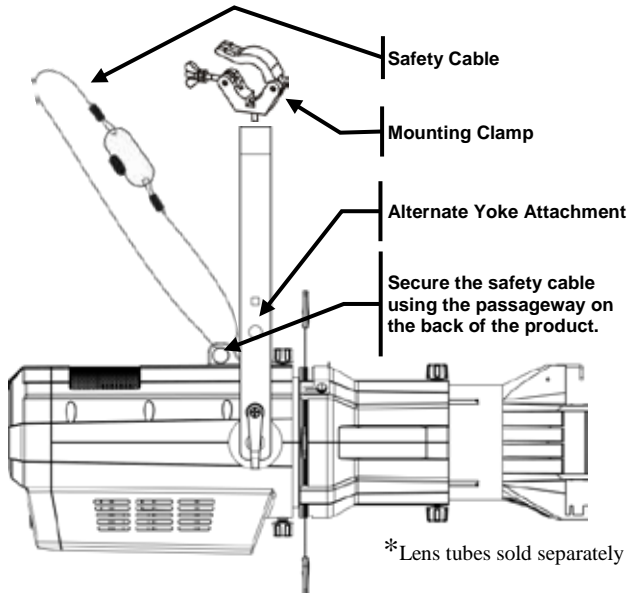
The Ovation E-910FC uses the DMX data connection for its Master/Slave mode. See the User Manual for information about connect and configure the product for master/slave operation.

RDM (Remote Device Management)

Remote Device Management, or RDM, is a standard for allowing DMX-enabled devices to communicate bi-directionally along existing DMX cabling. The Ovation E-910FC supports RDM protocol that allows feedback to monitor temperature and changes to **DMX Address** and **DMX Channel** menu map options. Download the User Manual from www.chauvetprofessional.com for more details.

Mounting Before mounting this product, read the [Safety Notes](#). Use at least one mounting point per product. Make sure the mounting clamps are capable of supporting the weight of the product. For our CHAUVET Professional line of mounting clamps, go to <http://trusst.com/products/>.

**Product
Mounting
Diagram**



Overhead Mounting

**Control Panel
Description**

| Button | Function |
|---------|------------------------------------------------------------------------------------------------------|
| <MENU> | Exits from the current menu or function |
| <ENTER> | Enables the currently displayed menu or sets the currently selected value into the selected function |
| <UP> | Navigates upwards through the menu list or increases the numeric value when in a function |
| <DOWN> | Navigates downwards through the menu list or decreases the numeric value when in a function |

Virtual Color Wheel The Ovation E-910FC includes a feature called the Virtual Color Wheel (VCW). This feature is available as a stand-alone control mode for manual use and also as a control channel in select DMX personalities. Over 30 pre-mixed colors, custom blended by our engineers, are available to call up for easier programming.

The DMX values used to mix these colors are provided below. You may adjust the overall intensity of the Ovation fixture in order to more closely replicate colors you are familiar with. A chart is available on our website www.chauvetprofessional.com to compare our pre-mixed colors with popular gel colors. This chart is for comparison purposes only and is not a representation that our pre-mixed colors match any of the gel colors listed.

Virtual Color Wheel Chart

| DMX Channel Value | Display Readout | Red Value | Green Value | Blue Value | Amber Value | Lime Value |
|-------------------|-----------------------------|-----------|-------------|------------|-------------|------------|
| 000○005 | -- | 000 | 000 | 000 | 000 | 000 |
| 006○013 | C3050 - Md Yellow | 233 | 163 | 020 | 123 | 255 |
| 014○021 | C3040 - Lt Yellow | 224 | 158 | 047 | 255 | 231 |
| 022○028 | C3240 - Amb Yellow | 180 | 060 | 000 | 245 | 255 |
| 029○035 | C2340 - VLt Amber | 245 | 107 | 081 | 255 | 213 |
| 036○043 | C2040 - Lt Amber | 230 | 130 | 062 | 255 | 155 |
| 044○051 | C2050 - Md Amber | 255 | 000 | 025 | 255 | 194 |
| 052○059 | C2060 - Dk Amber | 255 | 000 | 024 | 255 | 150 |
| 060○067 | C1050 - Lt Red | 255 | 037 | 027 | 030 | 038 |
| 068○075 | C1080 - Md Red | 255 | 004 | 017 | 000 | 000 |
| 076○083 | C1020 - NC Pink | 238 | 135 | 129 | 255 | 255 |
| 084○091 | C1030 - Md Pink | 255 | 131 | 120 | 255 | 195 |
| 092○099 | C1630 - Dk Pink | 250 | 165 | 123 | 255 | 210 |
| 100○107 | C1250 - Md Red Amber | 255 | 000 | 041 | 195 | 055 |
| 108○115 | C1060 - Dk Red Amber | 255 | 000 | 045 | 120 | 030 |
| 116○121 | C1650 - Magenta | 255 | 050 | 115 | 255 | 115 |
| 122○130 | C6170 - Dk Magenta | 255 | 035 | 117 | 000 | 000 |
| 131○138 | C6020 - Lt Lavender | 127 | 122 | 142 | 251 | 255 |
| 139○146 | C5030 - Lt Blue | 000 | 255 | 197 | 100 | 255 |
| 147○154 | C5020 - VLt Blue | 158 | 255 | 189 | 000 | 255 |
| 155○162 | C5430 - Lt Blue 2 | 000 | 255 | 180 | 000 | 243 |
| 163○170 | C5070 - Blue | 043 | 255 | 210 | 043 | 036 |
| 171○178 | C5050 - Md Blue | 000 | 255 | 218 | 000 | 181 |
| 179○186 | C5060 - Dk Blue | 000 | 210 | 206 | 000 | 118 |
| 187○194 | C5690 - Indigo | 065 | 000 | 210 | 040 | 055 |
| 195○202 | C5080 - VDk Blue | 000 | 203 | 230 | 000 | 040 |
| 203○210 | C5081 - VDk Blue 2 | 040 | 199 | 240 | 000 | 045 |
| 211○218 | C4370 - Yel Green | 027 | 255 | 028 | 016 | 104 |
| 219○226 | C4070 - Green | 049 | 255 | 055 | 120 | 090 |
| 227○234 | C4550 - Turquoise | 060 | 230 | 109 | 000 | 245 |
| 235○242 | C4560 - Aqua | 020 | 240 | 126 | 036 | 255 |
| 243○250 | C4570 - Blue Green | 000 | 255 | 079 | 030 | 053 |
| 251○255 | -- | 000 | 000 | 000 | 000 | 000 |



Note: The colors above are simulated renditions of the color output produced as compared to other similar incandescent products. Chauvet makes no guarantee of the color output accuracy.

Preset Color Temperature Chart

| DMX Channel Value | Display Readout | Red Value | Green Value | Blue Value | Amber Value | Lime Value |
|-------------------|-----------------|-----------|-------------|------------|-------------|------------|
| 000○005 | -- | 000 | 000 | 000 | 000 | 000 |
| 006○025 | 2800K | 255 | 199 | 107 | 253 | 255 |
| 026○050 | 3200K | 253 | 247 | 129 | 255 | 255 |
| 051○075 | 3500K | 234 | 255 | 141 | 253 | 255 |
| 076○100 | 4000K | 204 | 255 | 156 | 243 | 255 |
| 101○125 | 4500K | 181 | 248 | 166 | 224 | 255 |
| 126○150 | 5000K | 160 | 255 | 180 | 241 | 255 |
| 151○175 | 5600K | 138 | 255 | 191 | 241 | 255 |
| 176○200 | 6000K | 147 | 255 | 193 | 203 | 255 |
| 201○225 | 6500K | 142 | 251 | 197 | 187 | 255 |
| 226○255 | -- | 000 | 000 | 000 | 000 | 000 |



Note: The color temperatures above are simulated renditions of the color output produced as compared to a tungsten lamp at the specified color temperature. Chauvet makes no guarantee of the color output accuracy.

Menu Map

| Main Level | Programming Levels | | Description | |
|---------------------|---------------------|--------------------|---------------------------------------------------------------------------------------------------------------------------|------------------------------------------------------------------------------------------------------------------------------------------------|
| DMX Address | <001–512> | | Selects DMX address (highest channel restricted to personality chosen) | |
| | 3Ch | | 3-channel: dimmer, virtual color wheel, color temperature | |
| DMX Channel | 5Ch | | 5-channel: RGBAL control | |
| | 7Ch | | 7-channel: RGBAL control, dimmer, strobe | |
| | 10Ch | | 10-channel: RGBAL control, 16-bit dimmer, strobe, virtual color wheel, color temperature | |
| | 12Ch | | 12-channel: RGBAL control, dimmer, strobe, virtual color wheel, color temperature, auto programs, auto speed, dimmer mode | |
| | 13Ch | | 13-channel: 16-bit RGBAL, dimmer, strobe | |
| | 15Ch | | 15-channel: 16-bit RGBAL and dimmer, strobe, virtual color wheel, color temperature | |
| | HSV | | 3-channel: HSV control | |
| Virtual Color Wheel | Virtual Color Wheel | C3050 - Md Yellow | Dimmer <000–255> | Virtual Color Wheel simulates the output of each gel color. Refer to the Virtual Color Wheel Chart section for specific values |
| | | C3040 - Lt Yellow | | |
| | | C3240 - Amb Yellow | | |
| | | C2340 - VLt Amber | | |
| | | C2040 - Lt Amber | | |
| | | C2050 - Md Amber | | |
| | | C2060 - Dk Amber | | |
| | | C1050 - Lt Red | | |

| Main Level | Programming Levels | | | Description | |
|-----------------------------|-----------------------------|----------------------|---------|-------------|---------------------------------------------------------------------------------------------------------------------------------------------------------------------------------------|
| Virtual Color Wheel (cont.) | Virtual Color Wheel (cont.) | C1080 - Md Red | Dimmer | <000–255> | Virtual Color Wheel simulates the output of each gel. Refer to the Virtual Color Wheel Chart section for specific values |
| | | C1020 - NC Pink | | | |
| | | C1030 - Md Pink | | | |
| | | C1630 - Dk Pink | | | |
| | | C1250 - Md Red Amber | | | |
| | | C1060 - Dk Red Amber | | | |
| | | C1650 - Magenta | | | |
| | | C6170 - Dk Magenta | | | |
| | | C6020 - Lt Lavender | | | |
| | | C5030 - Lt Blue | | | |
| | | C5020 - VLt Blue | | | |
| | | C5430 - Lt Blue 2 | | | |
| | | C5070 - Blue | | | |
| | | C5050 - Md Blue | | | |
| | | C5060 - Dk Blue | | | |
| | | C5690 - Indigo | | | |
| | | C5080 - VDK Blue | | | |
| | | C5081 - VDK Blue 2 | | | |
| | | C4370 - Yel Green | | | |
| | | C4070 - Green | | | |
| C4550 - Turquoise | | | | | |
| C4560 - Aqua | | | | | |
| C4570 - Blue Green | | | | | |
| Virtual Color Wheel (cont.) | Color Temperature | 2800K | Dimmer | <000–255> | Preset white color temperatures. Emulates a tungsten lamp at the specified color temperature. Refer to the Preset Color Temperature Chart section for specific values |
| | | 3200K | | | |
| | | 3500K | | | |
| | | 4000K | | | |
| | | 4500K | | | |
| | | 5000K | | | |
| | | 5600K | | | |
| | | 6000K | | | |
| | | 6500K | | | |
| Manual Color Mixer | Manual Color Mixer | Red | <0–255> | <0–255> | Combine red, green, blue, amber, and lime to make a custom color (0–100%) |
| | | Green | | | |
| | | Blue | | | |
| | | Amber | | | |
| | | Lime | | | |

| Main Level | Programming Levels | | Description | |
|---------------|--------------------|-------------|-----------------------------------------------------------------|------------------------------|
| Auto Show | Auto 1 | <1-100> | Selects automatic programs and auto program speed | |
| | Auto 2 | | | |
| | Auto 3 | | | |
| | Auto 4 | | | |
| | Auto 5 | | | |
| Master/Slave | Master | | DMX mode (Master) | |
| | Slave | | Slave mode | |
| Dimmer Mode | Off | | No dimmer | |
| | Dimmer 1-3 | | Dimming curves Dimmer 1 (fast) to Dimmer 3 (slow) | |
| White Balance | OFF | | Uses factory default white setting | |
| | Manual | Red | <000-255> | Sets red LED maximum value |
| | | Green | | Sets green LED maximum value |
| | | Blue | | Sets blue LED maximum value |
| | | Amber | | Sets amber LED maximum value |
| | | Lime | | Sets Lime LED maximum value |
| LED Frequency | 600Hz | | Selects the PWM output frequency | |
| | 1200Hz | | | |
| | 2000Hz | | | |
| | 4000Hz | | | |
| | 6000Hz | | | |
| | 25KHz | | | |
| Fan Mode | Auto | | Sets the fan to auto mode | |
| | On | | Sets the fan to always on | |
| Back Light | On | | Display backlight always on | |
| | 10S | | Turns off display backlight after 10 sec of inactivity | |
| | 20S | | Turns off display backlight after 20 sec of inactivity | |
| | 30S | | Turns off display backlight after 30 sec of inactivity | |
| Information | Fixture Hours | <_ _ _ _ H> | Shows total product hours | |
| | Version | <V _ . _ > | Shows installed software version | |
| | UID: | ----- | Shows product UID | |

DMX Values

| 15Ch | Channel | Function | Value | Percent/Setting |
|------|---------|---------------------|------------------------|-----------------------------------------------------------------------------------------|
| | 1 | Dimmer | 000 ∘ 255 | 0–100% |
| | 2 | Dimmer Fine | 000 ∘ 255 | 0–100% |
| | 3 | Red | 000 ∘ 255 | 0–100% |
| | 4 | Red Fine | 000 ∘ 255 | 0–100% |
| | 5 | Green | 000 ∘ 255 | 0–100% |
| | 6 | Green Fine | 000 ∘ 255 | 0–100% |
| | 7 | Blue | 000 ∘ 255 | 0–100% |
| | 8 | Blue Fine | 000 ∘ 255 | 0–100% |
| | 9 | Amber | 000 ∘ 255 | 0–100% |
| | 10 | Amber Fine | 000 ∘ 255 | 0–100% |
| | 11 | Lime | 000 ∘ 255 | 0–100% |
| | 12 | Lime Fine | 000 ∘ 255 | 0–100% |
| | 13 | Strobe | 000 ∘ 010 011 ∘ 255 | No function Strobe, slow to fast |
| | 14 | Virtual Color Wheel | 000 ∘ 255 | Refer to the Virtual Color Wheel Chart section for specific values |
| | 15 | Color Temperature | 000 ∘ 255 | Refer to the Preset Color Temperature Chart section for specific values |

| 13Ch | Channel | Function | Value | Percent/Setting |
|------|---------|-------------|------------------------|-------------------------------------|
| | 1 | Dimmer | 000 ∘ 255 | 0–100% |
| | 2 | Dimmer Fine | 000 ∘ 255 | 0–100% |
| | 3 | Red | 000 ∘ 255 | 0–100% |
| | 4 | Red Fine | 000 ∘ 255 | 0–100% |
| | 5 | Green | 000 ∘ 255 | 0–100% |
| | 6 | Green Fine | 000 ∘ 255 | 0–100% |
| | 7 | Blue | 000 ∘ 255 | 0–100% |
| | 8 | Blue Fine | 000 ∘ 255 | 0–100% |
| | 9 | Amber | 000 ∘ 255 | 0–100% |
| | 10 | Amber Fine | 000 ∘ 255 | 0–100% |
| | 11 | Lime | 000 ∘ 255 | 0–100% |
| | 12 | Lime Fine | 000 ∘ 255 | 0–100% |
| | 13 | Strobe | 000 ∘ 010 011 ∘ 255 | No function Strobe, slow to fast |

| 12Ch | Channel | Function | Value | Percent/Setting |
|------|---------|---------------------|----------------------------------------------------------------------------|---------------------------------------------------------------------------------------------------------------------------------------------------------|
| | 1 | Dimmer | 000 ∘ 255 | 0–100% |
| | 2 | Red | 000 ∘ 255 | 0–100% |
| | 3 | Green | 000 ∘ 255 | 0–100% |
| | 4 | Blue | 000 ∘ 255 | 0–100% |
| | 5 | Amber | 000 ∘ 255 | 0–100% |
| | 6 | Lime | 000 ∘ 255 | 0–100% |
| | 7 | Strobe | 000 ∘ 010 011 ∘ 255 | No function Strobe, slow to fast |
| | 8 | Virtual Color Wheel | 000 ∘ 255 | Refer to the Virtual Color Wheel Chart section for specific values |
| | 9 | Color Temperature | 000 ∘ 255 | Refer to the Preset Color Temperature Chart section for specific values |
| | 10 | Auto Programs | 000 ∘ 010 011 ∘ 060 061 ∘ 110 111 ∘ 160 161 ∘ 210 211 ∘ 255 | No function Auto 1 Auto 2 Auto 3 Auto 4 Auto 5 |
| | 11 | Auto Speed | 000 ∘ 255 | Slow to fast |
| | 12 | Dimmer Speed | 000 ∘ 051 052 ∘ 101 102 ∘ 152 153 ∘ 203 204 ∘ 255 | Preset dimmer speed from display menu Dimmer speed mode off Dimmer speed mode 1 (fastest) Dimmer speed mode 2 Dimmer speed mode 3 (slowest) |

| 10Ch | Channel | Function | Value | Percent/Setting |
|------|---------|---------------------|------------------------|-----------------------------------------------------------------------------------------|
| | 1 | Dimmer | 000 ∘ 255 | 0–100% |
| | 2 | Dimmer Fine | 000 ∘ 255 | 0–100% |
| | 3 | Red | 000 ∘ 255 | 0–100% |
| | 4 | Green | 000 ∘ 255 | 0–100% |
| | 5 | Blue | 000 ∘ 255 | 0–100% |
| | 6 | Amber | 000 ∘ 255 | 0–100% |
| | 7 | Lime | 000 ∘ 255 | 0–100% |
| | 8 | Strobe | 000 ∘ 010 011 ∘ 255 | No function Strobe, slow to fast |
| | 9 | Virtual Color Wheel | 000 ∘ 255 | Refer to the Virtual Color Wheel Chart section for specific values |
| | 10 | Color Temperature | 000 ∘ 255 | Refer to the Preset Color Temperature Chart section for specific values |

| 7Ch | Channel | Function | Value | Percent/Setting |
|------------|----------------|-----------------|------------------------|-------------------------------------|
| | 1 | Dimmer | 000 ∘ 255 | 0–100% |
| | 2 | Red | 000 ∘ 255 | 0–100% |
| | 3 | Green | 000 ∘ 255 | 0–100% |
| | 4 | Blue | 000 ∘ 255 | 0–100% |
| | 5 | Amber | 000 ∘ 255 | 0–100% |
| | 6 | Lime | 000 ∘ 255 | 0–100% |
| | 7 | Strobe | 000 ∘ 010 011 ∘ 255 | No function Strobe, slow to fast |

| 5Ch | Channel | Function | Value | Percent/Setting |
|------------|----------------|-----------------|--------------|------------------------|
| | 1 | Red | 000 ∘ 255 | 0–100% |
| | 2 | Green | 000 ∘ 255 | 0–100% |
| | 3 | Blue | 000 ∘ 255 | 0–100% |
| | 4 | Amber | 000 ∘ 255 | 0–100% |
| | 5 | Lime | 000 ∘ 255 | 0–100% |

| 3Ch | Channel | Function | Value | Percent/Setting |
|------------|----------------|---------------------|--------------|-----------------------------------------------------------------------------------------|
| | 1 | Dimmer | 000 ∘ 255 | 0–100% |
| | 2 | Virtual Color Wheel | 000 ∘ 255 | Refer to the Virtual Color Wheel Chart section for specific values |
| | 3 | Color Temperature | 000 ∘ 255 | Refer to the Preset Color Temperature Chart section for specific values |

| HSV | Channel | Function | Value | Percent/Setting |
|------------|----------------|-----------------|--------------|------------------------|
| | 1 | Hue | 000 ∘ 255 | 0–100% |
| | 2 | Saturation | 000 ∘ 255 | 0–100% |
| | 3 | Value | 000 ∘ 255 | 0–100% |

Acerca de Esta Guía

La Guía de Referencia Rápida (GRR) del Ovation E-910FC contiene información básica sobre el producto, como montaje, opciones de menú y valores DMX. Descargue el manual de usuario de www.chauvetprofessional.com para información más detallada.

Exención de Responsabilidad

La información y especificaciones contenidas en esta GRR están sujetas a cambio sin previo aviso.

Notas de Seguridad

- NO abra este producto. No contiene piezas reparables por el usuario.
- NO mire a la fuente de luz cuando el producto esté encendido.
- Para evitar un desgaste innecesario y alargar su vida útil, desconecte complemente el producto de la alimentación, mediante el interruptor o desenchufándolo, durante los periodos en los que no se use.
- Cuidado: cuando transfiera el producto desde ambientes con temperatura extrema (p. ej., del remolque frío de un camión a una sala de baile con calor y humedad), puede formarse condensación en la electrónica interna del producto. Para evitar que se produzca una avería, deje que el producto se aclimate completamente al ambiente antes de conectar la alimentación.
- ¡CUIDADO! La carcasa de este producto está caliente cuando las luces están en funcionamiento.
- Monte este producto en una ubicación con ventilación adecuada, al menos a 20" (50 cm) de superficies adyacentes.
- NO deje ningún material inflamable a menos de 50 cm de este producto mientras esté funcionando o conectado a la alimentación.
- USE un cable de seguridad cuando monte este producto en lo alto.
- NO ponga en funcionamiento este producto en el exterior o en cualquier ubicación en la que el polvo, calor excesivo, agua o humedad puedan afectarlo.
- NO ponga en funcionamiento este producto si sospecha que la carcasa, lentes o cables están dañados.
- NO conecte este producto a un atenuador o reostato.
- Conecte este producto SOLO a un circuito con toma de tierra y protegido.
- Use SOLAMENTE los soportes de colgar/montar o las asas para mover este producto.
- En caso de un problema grave de funcionamiento, deje de usarlo inmediatamente.
- La máxima temperatura ambiente es de 113 °F (45 °C). No haga funcionar este producto a temperaturas más altas.

Contacto

Fuera de EE.UU, Reino Unido, Irlanda, México o Benelux, póngase en contacto con su distribuidor para solicitar asistencia o devolver el producto. Visite www.chauvetprofessional.com para información de contacto.

Qué va Incluido

- | | |
|-------------------------|-----------------------------|
| · Ovation E-910FC | · Filtro de enfoque suave |
| · Cable de Alimentación | · Tarjeta de Garantía |
| · Neutrik powerCON | · Guía de Referencia Rápida |

Corriente Alterna

Este producto tiene una fuente de alimentación con detección automática que puede funcionar con un rango de tensión de entrada de 100–240 VCA, 50/60 Hz.

Alimentación en Cadena

Puede enlazar hasta 6 productos Ovation E-910FC a 120 V, 11 productos a 208 V o 12 productos a 230 V. Los cables de alimentación en cadena se pueden adquirir por separado.

| Enchufe CA | Conexión | Cable (EE.UU) | Cable (Europa) | Color del Tornillo |
|------------|------------|----------------|----------------|--------------------|
| | CA Cargado | Negro | Marrón | Amarillo/Bronce |
| | CA Neutro | Blanco | Azul | Plata |
| | CA Tierra | Verde/Amarillo | Verde/Amarillo | Verde |



Para evitar un desgaste innecesario y alargar su vida útil, desconecte completamente el producto de la alimentación, mediante el interruptor o desenchufándolo, durante los periodos en los que no se use.

Sustitución del Fusible

1. Desconecte el producto de la toma de corriente.
2. Con un destornillador de estrella N°2 desatornille la tapa del portafusibles.
3. Quite el fusible fundido del portafusibles y sustitúyalo con otro del mismo tipo y categoría.
4. Vuelva a atornillar la tapa del portafusibles en su sitio y conecte de nuevo la alimentación.

Enlace DMX

El Ovation E-910FC funcionará con un controlador DMX usando una conexión serie DMX normal. Hay un Manual DMX disponible en www.chauvetprofessional.com.

Conexión DMX

El Ovation E-910FC usa una conexión de datos DMX normal para sus personalidades DMX: **3Ch, 5Ch, 7Ch, 10Ch, 12Ch, 13Ch, 15Ch** y **HSV**. Vea el Manual de usuario para conectar y configurar para funcionamiento DMX

Conexión Maestro/Esclavo

El Ovation E-910FC usa la conexión de datos DMX para su modo Maestro/Esclavo Vea el Manual de usuario para conectar y configurar para funcionamiento Maestro/Esclavo.

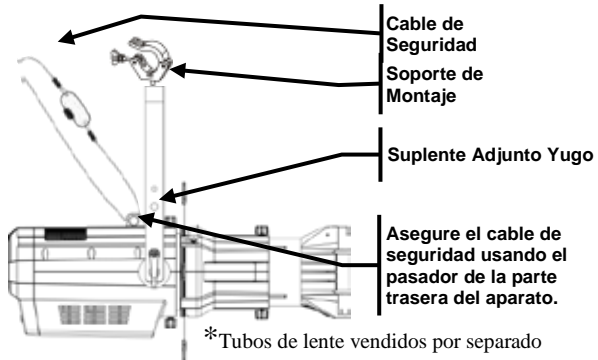
RDM (gestión remota del dispositivo)

Remote Device Management (gestión remota del dispositivo) o RDM, es un estándar que permite a los dispositivos con capacidad DMX una comunicación bidireccional por un cableado DMX existente. El Ovation E-910FC admite protocolo RDM, que posibilita información para supervisar la temperature y cambiar las opciones del mapa de menú **DMX Address** y **DMX Channel**. Descargue el manual de usuario de www.chauvetprofessional.com para una información más detallada.

Montaje

Antes de montar este producto, lea las [Notas de seguridad](#). Asegúrese de que las abrazaderas de montaje son capaces de soportar el peso del producto. Para nuestra línea Chauvet de abrazaderas de montaje, visite <http://trusst.com/products/>.

Diagrama de Montaje del Producto



Montaje en Alto

Descripción del Panel de Control

| Botón | Función |
|---------|--------------------------------------------------------------------------------------------------------------------------|
| <MENU> | Sale del menú o función actual |
| <ENTER> | Habilita el menú actualmente en pantalla o configura el valor seleccionado actualmente dentro de la función seleccionada |
| <UP> | Navega hacia arriba por la lista de menú y aumenta el valor numérico cuando está en una función |
| <DOWN> | Navega hacia abajo por la lista de menú y disminuye el valor numérico cuando está en una función |

Rueda de Color Virtual (VCW)

El Ovation E-910FC incluye una función de rueda de color virtual llamada Virtual Color Wheel (VCW). Esta función está disponible como modo de control independiente para uso manual y también como canal de control en algunas personalidades DMX del dispositivo. Más de 30 colores premezclados, elaborados por nuestros ingenieros, están disponibles para facilitarle la programación.

Los valores DMX utilizados para mezclar estos colores se indican más abajo. Puede ajustar la intensidad general del dispositivo Ovation para reproducir más fielmente los colores a los que esté habituado. Hay un gráfico a su disposición en nuestro sitio web www.chauvetprofessional.com para comparar nuestros colores premezclados con los colores de gel más populares. Este gráfico sirve solamente para comparar y no implica que nuestros colores premezclados coincidan exactamente con los colores de gel listados.

Tabla de Colores

| Valor del Canal DMX | Lectura en Pantalla | Valor Rojo | Valor Verde | Valor Azul | Valor Ámbar | Valor Limón |
|---------------------|-----------------------------|------------|-------------|------------|-------------|-------------|
| 000 ó 005 | -- | 000 | 000 | 000 | 000 | 000 |
| 006 ó 013 | C3050 - Md Yellow | 233 | 163 | 020 | 123 | 255 |
| 014 ó 021 | C3040 - Lt Yellow | 224 | 158 | 047 | 255 | 231 |
| 022 ó 028 | C3240 - Amb Yellow | 180 | 060 | 000 | 245 | 255 |
| 029 ó 035 | C2340 - Vlt Amber | 245 | 107 | 081 | 255 | 213 |
| 036 ó 043 | C2040 - Lt Amber | 230 | 130 | 062 | 255 | 155 |
| 044 ó 051 | C2050 - Md Amber | 255 | 000 | 025 | 255 | 194 |
| 052 ó 059 | C2060 - Dk Amber | 255 | 000 | 024 | 255 | 150 |
| 060 ó 067 | C1050 - Lt Red | 255 | 037 | 027 | 030 | 038 |
| 068 ó 075 | C1080 - Md Red | 255 | 004 | 017 | 000 | 000 |
| 076 ó 083 | C1020 - NC Pink | 238 | 135 | 129 | 255 | 255 |
| 084 ó 091 | C1030 - Md Pink | 255 | 131 | 120 | 255 | 195 |
| 092 ó 099 | C1630 - Dk Pink | 250 | 165 | 123 | 255 | 210 |
| 100 ó 107 | C1250 - Md Red Amber | 255 | 000 | 041 | 195 | 055 |
| 108 ó 115 | C1060 - Dk Red Amber | 255 | 000 | 045 | 120 | 030 |
| 116 ó 121 | C1650 - Magenta | 255 | 050 | 115 | 255 | 115 |
| 122 ó 130 | C6170 - Dk Magenta | 255 | 035 | 117 | 000 | 000 |
| 131 ó 138 | C6020 - Lt Lavender | 127 | 122 | 142 | 251 | 255 |
| 139 ó 146 | C5030 - Lt Blue | 000 | 255 | 197 | 100 | 255 |
| 147 ó 154 | C5020 - Vlt Blue | 158 | 255 | 189 | 000 | 255 |
| 155 ó 162 | C5430 - Lt Blue 2 | 000 | 255 | 180 | 000 | 243 |
| 163 ó 170 | C5070 - Blue | 043 | 255 | 210 | 043 | 036 |
| 171 ó 178 | C5050 - Md Blue | 000 | 255 | 218 | 000 | 181 |
| 179 ó 186 | C5060 - Dk Blue | 000 | 210 | 206 | 000 | 118 |
| 187 ó 194 | C5690 - Indigo | 065 | 000 | 210 | 040 | 055 |
| 195 ó 202 | C5080 - Vdk Blue | 000 | 203 | 230 | 000 | 040 |
| 203 ó 210 | C5081 - Vdk Blue 2 | 040 | 199 | 240 | 000 | 045 |
| 211 ó 218 | C4370 - Yel Green | 027 | 255 | 028 | 016 | 104 |
| 219 ó 226 | C4070 - Green | 049 | 255 | 055 | 120 | 090 |
| 227 ó 234 | C4550 - Turquoise | 060 | 230 | 109 | 000 | 245 |
| 235 ó 242 | C4560 - Aqua | 020 | 240 | 126 | 036 | 255 |
| 243 ó 250 | C4570 - Blue Green | 000 | 255 | 079 | 030 | 053 |
| 251 ó 255 | -- | 000 | 000 | 000 | 000 | 000 |

| Gráfico de temperaturas de color predefinidas | Valor del Canal DMX | Lectura en Pantalla | Valor Rojo | Valor Verde | Valor Azul | Valor Ámbar | Valor Limón |
|-----------------------------------------------|---------------------|---------------------|------------|-------------|------------|-------------|-------------|
| | 000 ó 005 | -- | 000 | 000 | 000 | 000 | 000 |
| | 006 ó 025 | 2800K | 255 | 199 | 107 | 253 | 255 |
| | 026 ó 050 | 3200K | 253 | 247 | 129 | 255 | 255 |
| | 051 ó 075 | 3500K | 234 | 255 | 141 | 253 | 255 |
| | 076 ó 100 | 4000K | 204 | 255 | 156 | 243 | 255 |
| | 101 ó 125 | 4500K | 181 | 248 | 166 | 224 | 255 |
| | 126 ó 150 | 5000K | 160 | 255 | 180 | 241 | 255 |
| | 151 ó 175 | 5600K | 138 | 255 | 191 | 241 | 255 |
| | 176 ó 200 | 6000K | 147 | 255 | 193 | 203 | 255 |
| | 201 ó 225 | 6500K | 142 | 251 | 197 | 187 | 255 |
| | 226 ó 255 | -- | 000 | 000 | 000 | 000 | 000 |



Nota: Las temperaturas de color que aparecen arriba son interpretaciones simuladas de la emisión de color producida cuando se compara con una lámpara de tungsteno a la temperatura de color especificada. Chauvet no garantiza la exactitud del color emitido.

Mapa de Menú

| Nivel Principal | Niveles de Programación | | Descripción | |
|---------------------|-------------------------|--------------------|-------------------------------------------------------------------------------------------------------------------------------------------------|------------------------------------------------------------------------------------------------------------------------------------------------------------|
| DMX Address | <001–512> | | Selecciona la dirección DMX de inicio | |
| DMX Channel | 3Ch | | 3-canales: atenuador, VCW, temperatura de color | |
| | 5Ch | | 5-canales: control RVAAL | |
| | 7Ch | | 7-canales: control RVAAL, atenuador, estroboscopio | |
| | 10Ch | | 10-canales: control RVAAL, atenuador, fino atenuador, estroboscopio, VCW, temperatura de color | |
| | 12Ch | | 12-canales: control RVAAL, atenuador, estroboscopio, VCW, temperatura de color, programas automática, velocidad automática, velocidad atenuador | |
| | 13Ch | | 13-canales: control RVAAL, 16-bit-control RVAAL, atenuador, fino atenuador, estroboscopio | |
| | 15Ch | | 15-canales: control RVAAL, 16-bit-control RVAAL, atenuador, fino atenuador, estroboscopio, VCW, temperatura de color | |
| | HSV | | 3 canales: control HSV | |
| Virtual Color Wheel | Virtual Color Wheel | C3050 - Md Yellow | Dimmer <000–255> | Rueda de Color Virtual (VCW) simula la emisión de cada gel de color. Consulte la sección Tabla de Colores para ver los valores específicos |
| | | C3040 - Lt Yellow | | |
| | | C3240 - Amb Yellow | | |
| | | C2340 - VLt Amber | | |
| | | C2040 - Lt Amber | | |
| | | C2050 - Md Amber | | |

| Nivel Principal | Niveles de Programación | | | Descripción | |
|-----------------------------|-----------------------------|----------------------|---------|--------------------------------------------------------------------------------------|-----------------------------------------------------------------------------------------------------------------------------------------------------------------------------------------------------------------------------------|
| Virtual Color Wheel (cont.) | Virtual Color Wheel (cont.) | C2060 - Dk Amber | Dimmer | <000–255> | Rueda de Color Virtual (VCW) simula la emisión de cada gel de color. Consulte la sección Tabla de Colores para ver los valores específicos |
| | | C1050 - Lt Red | | | |
| | | C1080 - Md Red | | | |
| | | C1020 - NC Pink | | | |
| | | C1030 - Md Pink | | | |
| | | C1630 - Dk Pink | | | |
| | | C1250 - Md Red Amber | | | |
| | | C1060 - Dk Red Amber | | | |
| | | C1650 - Magenta | | | |
| | | C6170 - Dk Magenta | | | |
| | | C6020 - Lt Lavender | | | |
| | | C5030 - Lt Blue | | | |
| | | C5020 - VLt Blue | | | |
| | | C5430 - Lt Blue 2 | | | |
| | | C5070 - Blue | | | |
| | | C5050 - Md Blue | | | |
| | | C5060 - Dk Blue | | | |
| | | C5690 - Indigo | | | |
| | | C5080 - Vdk Blue | | | |
| | | C5081 - Vdk Blue 2 | | | |
| C4370 - Yel Green | | | | | |
| C4070 - Green | | | | | |
| C4550 - Turquoise | | | | | |
| C4560 - Aqua | | | | | |
| C4570 - Blue Green | | | | | |
| Virtual Color Wheel (cont.) | Color Temperature | 2800K | Dimmer | <000–255> | Temperaturas de color blanco preconfiguradas Emula una lámpara de tungsteno a la temperatura de color especificada. Consulte el apartado Gráfico de temperaturas de color predefinidas para ver valores concretos |
| | | 3200K | | | |
| | | 3500K | | | |
| | | 4000K | | | |
| | | 4500K | | | |
| | | 5000K | | | |
| | | 5600K | | | |
| | | 6000K | | | |
| | | 6500K | | | |
| Virtual Color Wheel (cont.) | Manual Color Mixer | Red | <0–255> | Combina rojo, verde, azul, ámbar y lime para generar un color personalizado (0–100%) | |
| | | Green | | | |
| | | Blue | | | |
| | | Amber | | | |
| | | Lime | | | |

| Nivel Principal | Niveles de Programación | | Descripción | |
|-----------------|-------------------------|---------|---------------------------------------------------------------------------------------------------------|----------------------------------------|
| Auto Show | Auto 1 | <1-100> | Selecciona programas automáticos y velocidad de programas automáticos | |
| | Auto 2 | | | |
| | Auto 3 | | | |
| | Auto 4 | | | |
| | Auto 5 | | | |
| Master/Slave | Master | | Recibe señales DMX del controlador DMX | |
| | Slave | | Recibe señales del maestro | |
| Dimmer Mode | Off | | Curvas de atenuador rápido (Dimmer1) a lento (Dimmer3) o sin atenuador (Off) | |
| | Dimmer 1-3 | | | |
| White Balance | OFF | | Utiliza la configuración de blanco predeterminada de fábrica | |
| | Manual | Red | <000-255> | Establece el valor máximo de LED rojo |
| | | Green | | Establece el valor máximo de LED verde |
| | | Blue | | Establece el valor máximo de LED azul |
| | | Amber | | Establece el valor máximo de LED ámbar |
| | | Lime | | Establece el valor máximo de LED lime |
| LED Frequency | 600Hz | | Selecciona la frecuencia de emisión PWM | |
| | 1200Hz | | | |
| | 2000Hz | | | |
| | 4000Hz | | | |
| | 6000Hz | | | |
| | 25KHz | | | |
| Fan Mode | Auto | | Equilibra la refrigeración del LED usando los ventiladores y el nivel de potencia | |
| | On | | Mantiene la refrigeración del LED usando los ventiladores permitiendo plena potencia | |

| Nivel Principal | Niveles de Programación | | Descripción |
|-----------------|-------------------------|-------------|---------------------------------------------------------------------------------|
| Back Light | On | | Retro-iluminación de la pantalla siempre activa |
| | 10S | | Retro-iluminación de la pantalla se apaga después de 10 segundos de inactividad |
| | 20S | | Retro-iluminación de la pantalla se apaga después de 20 segundos de inactividad |
| | 30S | | Retro-iluminación de la pantalla se apaga después de 30 segundos de inactividad |
| Information | Fixture Hours | <_ _ _ _ H> | Muestra el nombre total de las horas del producto |
| | Version | <V_ _> | Muestra instalada la versión de software |
| | UID: | ----- | Muestra actual UID # |

Valores DMX

| 15Ch | Canal | Función | Valor | Porcentaje/Configuración |
|------|-------|------------------------------|------------------------|---------------------------------------------------------------------------------------------------------------|
| | 1 | Atenuador | 000 ó 255 | 0–100% |
| | 2 | Atenuador fino | 000 ó 255 | 0–100% |
| | 3 | Rojo | 000 ó 255 | 0–100% |
| | 4 | Rojo fino | 000 ó 255 | 0–100% |
| | 5 | Verde | 000 ó 255 | 0–100% |
| | 6 | Verde fino | 000 ó 255 | 0–100% |
| | 7 | Azul | 000 ó 255 | 0–100% |
| | 8 | Azul fino | 000 ó 255 | 0–100% |
| | 9 | Ámbar | 000 ó 255 | 0–100% |
| | 10 | Ámbar fino | 000 ó 255 | 0–100% |
| | 11 | Limón | 000 ó 255 | 0–100% |
| | 12 | Limón fino | 000 ó 255 | 0–100% |
| | 13 | Estroboscopio | 000 ó 010 011 ó 255 | Sin función Lento a rápido |
| | 14 | Rueda de Color Virtual (VCW) | 000 ó 255 | Consulte la sección Tabla de Colores para ver los valores específicos |
| | 15 | Temperatura de Color | 000 ó 255 | Consulte el apartado Gráfico de temperaturas de color predefinidas para ver valores concretos |

| 13Ch | Canal | Función | Valor | Porcentaje/Configuración |
|------|-------|----------------|------------------------|-------------------------------|
| | 1 | Atenuador | 000 ó 255 | 0–100% |
| | 2 | Atenuador fino | 000 ó 255 | 0–100% |
| | 3 | Rojo | 000 ó 255 | 0–100% |
| | 4 | Rojo fino | 000 ó 255 | 0–100% |
| | 5 | Verde | 000 ó 255 | 0–100% |
| | 6 | Verde fino | 000 ó 255 | 0–100% |
| | 7 | Azul | 000 ó 255 | 0–100% |
| | 8 | Azul fino | 000 ó 255 | 0–100% |
| | 9 | Ámbar | 000 ó 255 | 0–100% |
| | 10 | Ámbar fino | 000 ó 255 | 0–100% |
| | 11 | Limón | 000 ó 255 | 0–100% |
| | 12 | Limón fino | 000 ó 255 | 0–100% |
| | 13 | Estroboscopio | 000 ó 010 011 ó 255 | Sin función Lento a rápido |

| 12Ch | Canal | Función | Valor | Porcentaje/Configuración |
|------|-------|------------------------------|----------------------------------------------------------------------------|-----------------------------------------------------------------------------------------------------------------------------------------------------------------------------------------------------------------|
| | 1 | Atenuador | 000 ó 255 | 0–100% |
| | 2 | Rojo | 000 ó 255 | 0–100% |
| | 3 | Verde | 000 ó 255 | 0–100% |
| | 4 | Azul | 000 ó 255 | 0–100% |
| | 5 | Ámbar | 000 ó 255 | 0–100% |
| | 6 | Limón | 000 ó 255 | 0–100% |
| | 7 | Estroboscopio | 000 ó 010 011 ó 255 | Sin función Lento a rápido |
| | 8 | Rueda de Color Virtual (VCW) | 000 ó 255 | Consulte la sección Tabla de Colores para ver los valores específicos |
| | 9 | Temperatura de Color | 000 ó 255 | Consulte el apartado Gráfico de temperaturas de color predefinidas para ver valores concretos |
| | 10 | Programas Automática | 000 ó 010 011 ó 060 061 ó 110 111 ó 160 161 ó 210 211 ó 255 | Sin función Auto 1 Auto 2 Auto 3 Auto 4 Auto 5 |
| | 11 | Velocidad Automática | 000 ó 255 | Lento a rápido |
| | 12 | Velocidad Atenuador | 000 ó 051 052 ó 101 102 ó 152 153 ó 203 204 ó 255 | Pre configura la velocidad del atenuador desde la pantalla de menú Atenuador lineal Curva de atenuación no-lineal 1 (la más rápida) Curva de atenuación no-lineal 2 Curva de atenuación no-lineal 3 |

| 10Ch | Canal | Función | Valor | Porcentaje/Configuración |
|------|-------|------------------------------|------------------------|---------------------------------------------------------------------------------------------------------------|
| | 1 | Atenuador | 000 ó 255 | 0-100% |
| | 2 | Atenuador fino | 000 ó 255 | 0-100% |
| | 3 | Rojo | 000 ó 255 | 0-100% |
| | 4 | Verde | 000 ó 255 | 0-100% |
| | 5 | Azul | 000 ó 255 | 0-100% |
| | 6 | Ámbar | 000 ó 255 | 0-100% |
| | 7 | Limón | 000 ó 255 | 0-100% |
| | 8 | Estroboscopio | 000 ó 010 011 ó 255 | Sin función Lento a rápido |
| | 9 | Rueda de Color Virtual (VCW) | 000 ó 255 | Consulte la sección Tabla de Colores para ver los valores específicos |
| | 10 | Temperatura de Color | 000 ó 255 | Consulte el apartado Gráfico de temperaturas de color predefinidas para ver valores concretos |

| 7Ch | Canal | Función | Valor | Porcentaje/Configuración |
|-----|-------|---------------|------------------------|-------------------------------|
| | 1 | Atenuador | 000 ó 255 | 0-100% |
| | 2 | Rojo | 000 ó 255 | 0-100% |
| | 3 | Verde | 000 ó 255 | 0-100% |
| | 4 | Azul | 000 ó 255 | 0-100% |
| | 5 | Ámbar | 000 ó 255 | 0-100% |
| | 6 | Limón | 000 ó 255 | 0-100% |
| | 7 | Estroboscopio | 000 ó 010 011 ó 255 | Sin función Lento a rápido |

| 5Ch | Canal | Función | Valor | Porcentaje/Configuración |
|-----|-------|---------|-----------|--------------------------|
| | 1 | Rojo | 000 ó 255 | 0-100% |
| | 2 | Verde | 000 ó 255 | 0-100% |
| | 3 | Azul | 000 ó 255 | 0-100% |
| | 4 | Ámbar | 000 ó 255 | 0-100% |
| | 5 | Limón | 000 ó 255 | 0-100% |

| 3Ch | Canal | Función | Valor | Porcentaje/Configuración |
|-----|-------|------------------------------|-----------|---------------------------------------------------------------------------------------------------------------|
| | 1 | Atenuador | 000 ó 255 | 0-100% |
| | 2 | Rueda de Color Virtual (VCW) | 000 ó 255 | Consulte la sección Tabla de Colores para ver los valores específicos |
| | 3 | Temperatura de Color | 000 ó 255 | Consulte el apartado Gráfico de temperaturas de color predefinidas para ver valores concretos |

| HSV | Canal | Función | Valor | Porcentaje/Configuración |
|-----|-------|------------|-----------|--------------------------|
| | 1 | Tono | 000 ó 255 | 0-100% |
| | 2 | Saturación | 000 ó 255 | 0-100% |
| | 3 | Valor | 000 ó 255 | 0-100% |

À Propos de ce Manuel

Le Manuel de Référence (MR) Ovation E-910FC reprend des informations de base sur ce produit notamment en matière de connexions, montage, options de menu et valeurs DMX. Téléchargez le manuel d'utilisation sur www.chauvetprofessional.com pour de plus amples informations.

Clause de Non-Responsabilité

Les informations et caractéristiques contenues dans ce manuel sont sujettes à changement sans préavis.

Consignes de Sécurité

- N'ouvrez PAS ce produit. Il ne contient aucun composant susceptible d'être réparé par l'utilisateur.
- Ne regardez PAS la source lumineuse lorsque le produit fonctionne.
- Durant les périodes de non-utilisation, pour éviter toute usure inutile et pour prolonger la durée de vie, déconnectez-entièrement l'appareil en le débranchant de l'alimentation électrique ou en coupant le disjoncteur.
- ATTENTION: Lorsque l'appareil est transféré d'un environnement à température extrême à un autre (par exemple d'un camion froid vers une salle de bal chaude et humide), de la condensation peut se former sur les composants électriques internes. Pour éviter de causer des dommages, laissez l'appareil s'acclimater entièrement au milieu environnant avant de le mettre sous tension.
- ATTENTION: le boîtier de ce produit est brûlant lors du fonctionnement.
- Montez toujours ce produit dans un endroit bien ventilé, à au moins, 20 pouces (50 cm) des surfaces adjacentes.
- Ne laissez AUCUNE source inflammable dans un rayon de 50 cm du produit lorsque celui-ci fonctionne.
- Utilisez TOUJOURS un câble de sécurité lorsque vous montez ce produit en hauteur.
- N'utilisez PAS ce produit en extérieur ou tout autre endroit où de la poussière, une chaleur excessive, de l'eau ou de l'humidité peut en affecter le fonctionnement.
- N'utilisez PAS ce produit si le boîtier, les lentilles ou les câbles vous semblent endommagés.
- Ne connectez PAS ce produit ni à un gradateur ni à un rhéostat.
- Connectez UNIQUEMENT ce produit à un circuit protégé et relié à la terre.
- Transportez/Suspendez ce produit UNIQUEMENT au moyen de la poignée ou lyre de suspension dont il est doté.
- En cas de sérieux problèmes de fonctionnement, arrêtez le système immédiatement.
- La température ambiante maximale supportée par ce produit est de 113 °F (45 °C). Ne le faites pas fonctionner à des températures plus élevées.

Contact

En dehors des États-Unis, du Royaume-Uni et de l'Irlande, du Mexique, ou de Benelux contactez votre fournisseur si vous avez besoin d'assistance ou de retourner votre produit. Consultez le site www.chauvetprofessional.com pour trouver nos coordonnées.

Ce qui est Inclus

- Un Ovation E-910FC
- Un Cordon d'Alimentation Neutrik powerCON
- Filtre de mise au point souple
- Une fiche de Garantie
- Un Manuel de Référence

Alimentation CA Ce produit est doté d'une alimentation universelle prenant en charge toute tension d'entrée comprise entre 100 et 240 VCA, 50/60 Hz.

Connexion Électrique Vous pouvez connecter jusqu'à 6 Ovation E-910FC à 120 V, 11 unités à 208 V ou 12 unités à 230 V. Vous pouvez vous procurer séparément des cordons d'alimentation.

| Prise CA | Connexion | Câble (États-Unis) | Câble (Europe) | Couleur de la Vis |
|----------|---------------|--------------------|----------------|-------------------|
| | Conducteur CA | Noir | Marron | Jaune/Cuivré |
| | Neutre CA | Blanc | Bleu | Argenté |
| | Terre CA | Vert/Jaune | Vert/Jaune | Vert |



Durant les périodes de non-utilisation, pour éviter toute usure inutile et pour prolonger la durée de vie, déconnectez-entièrement l'appareil en le débranchant de l'alimentation électrique ou en coupant le disjoncteur.

- Remplacement du Fusible**
1. Débranchez l'appareil de la prise.
 2. À l'aide d'un tournevis Philips à tête n° 2, dévissez le couvercle du porte-fusible.
 3. Remplacez le fusible obsolète par un fusible neuf équivalent
 4. Revissez le couvercle du porte-fusible et rebranchez l'unité.

Raccordement DMX Le Ovation E-910FC fonctionnera avec un jeu d'orgues DMX au moyen de connexions DMX en série standard. Une introduction au DMX est à votre disposition sur www.chauvetprofessional.com.

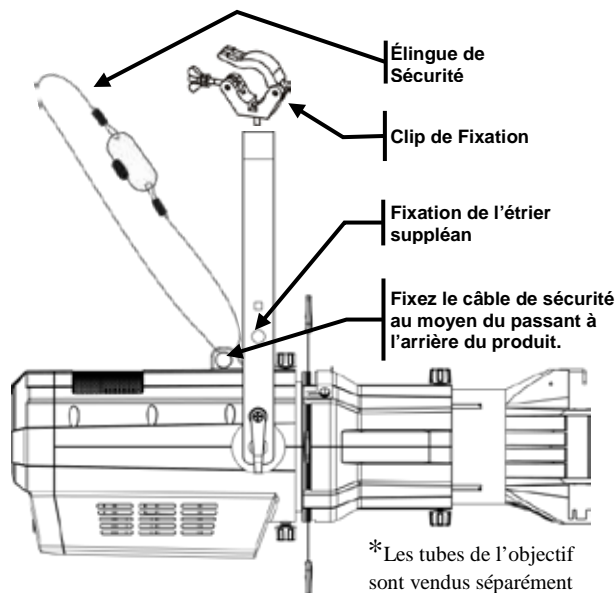
Connexion DMX Le Ovation E-910FC utilise une connexion de données DMX standard pour ses personnalités DMX: **3Ch, 5Ch, 7Ch, 10Ch, 12Ch, 13Ch, 15Ch** et **HSV**. Consultez le manuel d'utilisation pour connecter et configurer le système DMX.

Connexion Maître/Esclave Le Ovation E-910FC utilise une connexion de données DMX pour son mode Maître/Esclave. Consultez le Manuel d'Utilisation pour connecter et configurer le mode de fonctionnement Maître/Esclave.

RDM (Gestion des périphériques à distance) Le protocole RDM (gestion des périphériques à distance) est un standard pour la communication bidirectionnelle des appareils dotés de fonctions DMX dans un câblage DMX existant. Le Ovation E-910FC supporte le protocole RDM permettant un retour d'information pour la surveillance de la température et des changements des options de menu **DMX Address** et **DMX Channel**. Veuillez télécharger le manuel de l'utilisateur à partir du site internet www.chauvetprofessional.com pour plus de détails.

Installation Avant de monter cet appareil, lisez et assimilez les [Consignes de Sécurité](#). Veillez à ce que les fixations sont capables de supporter le poids de l'unité. Découvrez notre gamme de fixations Chauvet sur <http://trusst.com/products/>.

**Schéma de
Montage
de l'appareil**



Montage en Hauteur

**Description du
Tableau de
Commandes**

| Bouton | Fonction |
|---------|------------------------------------------------------------------------------------------------------------------|
| <MENU> | Permet la sortie du menu ou de la fonction en cours |
| <ENTER> | Permet l'affichage du menu en cours ou permet de configurer la valeur en cours dans la fonction sélectionnée |
| <UP> | Permet de parcourir les listes de menu vers le haut, dans une fonction permet d'augmenter les valeurs numériques |
| <DOWN> | Permet de parcourir les listes de menu vers le bas, dans une fonction permet de diminuer les valeurs numériques |

Roue de Couleurs Virtuelles (VCW)

Le Ovation F-910FC dispose d'une fonction appelée Roue de Couleur Virtuelle (VCW - Virtual Color Wheel). Cette fonction est disponible en mode de contrôle autonome pour une utilisation manuelle mais également en tant que canal de contrôle dans certaines personnalités DMX. Plus de 30 couleurs pré-mélangées, personnalisées par nos ingénieurs, sont disponibles pour faciliter la programmation.

Les valeurs DMX utilisées pour mélanger ces couleurs sont indiquées ci-dessous. Vous pouvez ajuster l'intensité globale du Ovation afin de reproduire plus fidèlement les couleurs que vous avez l'habitude d'utiliser. Un graphique est disponible sur notre site Web à l'adresse www.chauvetprofessional.com pour comparer nos couleurs pré-mélangées avec des couleurs de gel populaires. Ce tableau est fourni uniquement à des fins de comparaison et ne certifie pas que nos couleurs pré-mélangées correspondent aux couleurs de gel énumérées.

Gamme de Couleurs

| Valeurs des Canaux DMX | Affichage à l'Écran | Valeur Rouge | Valeur Vert | Valeur Bleu | Valeur Ambre | Valeur Lime |
|------------------------|-----------------------------|--------------|-------------|-------------|--------------|-------------|
| 000○ 005 | -- | 000 | 000 | 000 | 000 | 000 |
| 006○ 013 | C3050 - Md Yellow | 233 | 163 | 020 | 123 | 255 |
| 014○ 021 | C3040 - Lt Yellow | 224 | 158 | 047 | 255 | 231 |
| 022○ 028 | C3240 - Amb Yellow | 180 | 060 | 000 | 245 | 255 |
| 029○ 035 | C2340 - VLt Amber | 245 | 107 | 081 | 255 | 213 |
| 036○ 043 | C2040 - Lt Amber | 230 | 130 | 062 | 255 | 155 |
| 044○ 051 | C2050 - Md Amber | 255 | 000 | 025 | 255 | 194 |
| 052○ 059 | C2060 - Dk Amber | 255 | 000 | 024 | 255 | 150 |
| 060○ 067 | C1050 - Lt Red | 255 | 037 | 027 | 030 | 038 |
| 068○ 075 | C1080 - Md Red | 255 | 004 | 017 | 000 | 000 |
| 076○ 083 | C1020 - NC Pink | 238 | 135 | 129 | 255 | 255 |
| 084○ 091 | C1030 - Md Pink | 255 | 131 | 120 | 255 | 195 |
| 092○ 099 | C1630 - Dk Pink | 250 | 165 | 123 | 255 | 210 |
| 100○ 107 | C1250 - Md Red Amber | 255 | 000 | 041 | 195 | 055 |
| 108○ 115 | C1060 - Dk Red Amber | 255 | 000 | 045 | 120 | 030 |
| 116○ 121 | C1650 - Magenta | 255 | 050 | 115 | 255 | 115 |
| 122○ 130 | C6170 - Dk Magenta | 255 | 035 | 117 | 000 | 000 |
| 131○ 138 | C6020 - Lt Lavender | 127 | 122 | 142 | 251 | 255 |
| 139○ 146 | C5030 - Lt Blue | 000 | 255 | 197 | 100 | 255 |
| 147○ 154 | C5020 - VLt Blue | 158 | 255 | 189 | 000 | 255 |
| 155○ 162 | C5430 - Lt Blue 2 | 000 | 255 | 180 | 000 | 243 |
| 163○ 170 | C5070 - Blue | 043 | 255 | 210 | 043 | 036 |
| 171○ 178 | C5050 - Md Blue | 000 | 255 | 218 | 000 | 181 |
| 179○ 186 | C5060 - Dk Blue | 000 | 210 | 206 | 000 | 118 |
| 187○ 194 | C5690 - Indigo | 065 | 000 | 210 | 040 | 055 |
| 195○ 202 | C5080 - VDK Blue | 000 | 203 | 230 | 000 | 040 |
| 203○ 210 | C5081 - VDK Blue 2 | 040 | 199 | 240 | 000 | 045 |
| 211○ 218 | C4370 - Yel Green | 027 | 255 | 028 | 016 | 104 |
| 219○ 226 | C4070 - Green | 049 | 255 | 055 | 120 | 090 |
| 227○ 234 | C4550 - Turquoise | 060 | 230 | 109 | 000 | 245 |
| 235○ 242 | C4560 - Aqua | 020 | 240 | 126 | 036 | 255 |
| 243○ 250 | C4570 - Blue Green | 000 | 255 | 079 | 030 | 053 |
| 251○ 255 | -- | 000 | 000 | 000 | 000 | 000 |



Remarque : Les couleurs ci-dessus sont des rendus simulés de couleurs produits sur base des couleurs émises par les appareils à incandescence. Chauvet ne peut garantir l'exactitude du rendu d'une couleur.

| Graphique des températures de couleur prédéfinies | Valeurs des Canaux DMX | Affichage à l'Écran | Valeur Rouge | Valeur Vert | Valeur Bleu | Valeur Ambre | Valeur Lime |
|---------------------------------------------------|------------------------|---------------------|--------------|-------------|-------------|--------------|-------------|
| | 000◊005 | -- | 000 | 000 | 000 | 000 | 000 |
| | 006◊025 | 2800K | 255 | 199 | 107 | 253 | 255 |
| | 026◊050 | 3200K | 253 | 247 | 129 | 255 | 255 |
| | 051◊075 | 3500K | 234 | 255 | 141 | 253 | 255 |
| | 076◊100 | 4000K | 204 | 255 | 156 | 243 | 255 |
| | 101◊125 | 4500K | 181 | 248 | 166 | 224 | 255 |
| | 126◊150 | 5000K | 160 | 255 | 180 | 241 | 255 |
| | 151◊175 | 5600K | 138 | 255 | 191 | 241 | 255 |
| | 176◊200 | 6000K | 147 | 255 | 193 | 203 | 255 |
| | 201◊225 | 6500K | 142 | 251 | 197 | 187 | 255 |
| | 226◊255 | -- | 000 | 000 | 000 | 000 | 000 |



Remarque : Les températures de couleur ci-dessus sont des rendus simulés de la sortie de couleur effectivement générée par comparaison avec une lampe tungstène à la température de couleur spécifiée. Chauvet ne donne aucune garantie sur la précision de la sortie de couleur.

Tableau de Menu

| Niveau Principal | Niveaux de Programmation | | Description | |
|---------------------|--------------------------|--------|--------------------------------------------------------------------------------------------------------------------|------------------------------------------------------------------------------------------------------------------------------------------------------------------------------|
| DMX Address | <001-512> | | Sélectionne l'adresse DMX de départ | |
| DMX Channel | 3Ch | | 3- canaux: gradateur, VCW, température de la couleur | |
| | 5Ch | | 5- canaux: RVBAL control | |
| | 7Ch | | 7- canaux: RVBAL control, gradateur, stroboscope | |
| | 10Ch | | 10- canaux: RVBAL control, gradateur, gradateur fin, stroboscope, VCW, température de la couleur | |
| | 12Ch | | 12- canaux: RVBAL, gradateur, stroboscope, macro de couleurs, effet d'anneau, vitesse gradateur, vitesse auto, VCW | |
| | 13Ch | | 13- canaux: 16-bit RVBAL control, gradateur, gradateur fin, stroboscope | |
| | 15Ch | | 15- canaux: RVBAL control, gradateur, gradateur fin, stroboscope, VCW, température de la couleur | |
| | HSV | | 3 canaux: commande HSV | |
| Virtual Color Wheel | Virtual Color Wheel | Dimmer | <001-512> | Roue de Couleurs Virtuelles (VCW) simule le rendu des gélamines de couleur. Consultez la section Gamme de Couleurs pour en connaître les valeurs spécifiques |
| | C3050 - Md Yellow | | | |
| | C3040 - Lt Yellow | | | |
| | C3240 - Amb Yellow | | | |
| | C2340 - VLt Amber | | | |
| | C2040 - Lt Amber | | | |
| | C2050 - Md Amber | | | |
| | C2060 - Dk Amber | | | |

| Niveau Principal | Niveaux de Programmation | | | Description | |
|-----------------------------|-----------------------------|-------------------------------------------------------------------------------|--------|-------------|------------------------------------------------------------------------------------------------------------------------------------------------------------------------------------------------------------------------------------------|
| Virtual Color Wheel (Suite) | Virtual Color Wheel (Suite) | C1050 - Lt Red | Dimmer | <001-512> | Roue de Couleurs Virtuelles (VCW) simule le rendu des gélamines de couleur. Consultez la section Gamme de Couleurs pour en connaître les valeurs spécifiques |
| | | C1080 - Md Red | | | |
| | | C1020 - NC Pink | | | |
| | | C1030 - Md Pink | | | |
| | | C1630 - Dk Pink | | | |
| | | C1250 - Md Red Amber | | | |
| | | C1060 - Dk Red Amber | | | |
| | | C1650 - Magenta | | | |
| | | C6170 - Dk Magenta | | | |
| | | C6020 - Lt Lavender | | | |
| | | C5030 - Lt Blue | | | |
| | | C5020 - VLt Blue | | | |
| | | C5430 - Lt Blue 2 | | | |
| | | C5070 - Blue | | | |
| | | C5050 - Md Blue | | | |
| | | C5060 - Dk Blue | | | |
| | | C5690 - Indigo | | | |
| | | C5080 - Vdk Blue | | | |
| | | C5081 - Vdk Blue 2 | | | |
| | | C4370 - Yel Green | | | |
| C4070 - Green | | | | | |
| C4550 - Turquoise | | | | | |
| C4560 - Aqua | | | | | |
| C4570 - Blue Green | | | | | |
| | Color Temperature | 2800K 3200K 3500K 4000K 4500K 5000K 5600K 6000K 6500K | Dimmer | <001-512> | Températures de couleur de blanc prédéfinies. Simule une lampe tungstène à la température de couleur spécifiée. Référez vous à la section Graphique des températures de couleur prédéfinies pour les valeurs spécifiques |
| | Manual Color Mixer | Red Green Blue Amber Lime | | <0-255> | Combine les couleurs rouge, vert, bleu, ambre et lime pour un résultat personnalisé (0-100%) |

| Niveau Principal | Niveaux de Programmation | | Description | |
|------------------|--------------------------|---------|------------------------------------------------------------------------------------------------------------------------------|-----------------------------------------|
| Auto Show | Auto 1 | <1-100> | Sélectionne les programmes automatiques et vitesse auto | |
| | Auto 2 | | | |
| | Auto 3 | | | |
| | Auto 4 | | | |
| | Auto 5 | | | |
| Master/Slave | Master | | Reçoit les signaux DMX du contrôleur DMX | |
| | Slave | | Reçoit les signaux DMX du maître | |
| Dimmer Mode | Off | | Courbes de gradation rapide (Dimmer1) à lent (Dimmer3) ou pas de gradateur (Off) | |
| | Dimmer 1-3 | | | |
| White Balance | OFF | | Utilise le paramétrage de blanc défini en usine | |
| | Manual | Red | <000-255> | Définit la valeur maximale de LED rouge |
| | | Green | | Définit la valeur maximale de LED verte |
| | | Blue | | Définit la valeur maximale de LED bleue |
| | | Amber | | Définit la valeur maximale de LED ambre |
| | | Lime | | Définit la valeur maximale de LED lime |
| LED Frequency | 600Hz | | Permet de sélectionner la fréquence de sortie MLI | |
| | 1200Hz | | | |
| | 2000Hz | | | |
| | 4000Hz | | | |
| | 6000Hz | | | |
| | 25KHz | | | |
| Fan Mode | Auto | | Équilibre le refroidissement des LED entre le niveau de puissance de rendu et l'utilisation des ventilateurs | |
| | On | | Maintient le refroidissement des LED en utilisant les ventilateurs, permettant ainsi un niveau de puissance de rendu maximal | |

| Niveau Principal | Niveaux de Programmation | | Description |
|------------------|--------------------------|------------|----------------------------------------------------------------------|
| Back Light | On | | Affichage rétro-éclairage toujours active |
| | 10S | | Désactive l'affichage rétro-éclairage après 10 secondes d'inactivité |
| | 20S | | Désactive l'affichage rétro-éclairage après 20 secondes d'inactivité |
| | 30S | | Désactive l'affichage rétro-éclairage après 30 secondes d'inactivité |
| Information | Fixture Hours | <_ _ _ _H> | Affiche le nombre total des heures du produit |
| | Version | <V_._> | Affiche la version du logiciel installée |
| | UID: | ----- | Affiche UID actuel # |

Valeurs DMX

| 15Ch | Canal | Fonction | Valeur | Pourcentage/Configuration |
|------|-------|-----------------------------|----------------------|--------------------------------------------------------------------------------------------------------------------------|
| | 1 | Gradateur | 000ó 255 | 0–100% |
| | 2 | Gradateur Fin | 000ó 255 | 0–100% |
| | 3 | Rouge | 000ó 255 | 0–100% |
| | 4 | Rouge Fin | 000ó 255 | 0–100% |
| | 5 | Vert | 000ó 255 | 0–100% |
| | 6 | Vert Fin | 000ó 255 | 0–100% |
| | 7 | Bleu | 000ó 255 | 0–100% |
| | 8 | Bleu Fin | 000ó 255 | 0–100% |
| | 9 | Ambre | 000ó 255 | 0–100% |
| | 10 | Ambre Fin | 000ó 255 | 0–100% |
| | 11 | Lime | 000ó 255 | 0–100% |
| | 12 | Lime Fin | 000ó 255 | 0–100% |
| | 13 | Stroboscope | 000ó 010 011ó 255 | Pas de fonction Lent à rapide |
| | 14 | Roue de Couleurs Virtuelles | 000ó 255 | Consultez la section Gamme de Couleurs pour en connaître les valeurs spécifiques |
| | 15 | Température de la Couleur | 000ó 255 | Référez vous à la section Graphique des températures de couleur prédéfinies pour les valeurs spécifiques |

| 13Ch | Canal | Fonction | Valeur | Pourcentage/Configuration |
|------|-------|---------------|----------------------|----------------------------------|
| | 1 | Gradateur | 000ó 255 | 0–100% |
| | 2 | Gradateur Fin | 000ó 255 | 0–100% |
| | 3 | Rouge | 000ó 255 | 0–100% |
| | 4 | Rouge Fin | 000ó 255 | 0–100% |
| | 5 | Vert | 000ó 255 | 0–100% |
| | 6 | Vert Fin | 000ó 255 | 0–100% |
| | 7 | Bleu | 000ó 255 | 0–100% |
| | 8 | Bleu Fin | 000ó 255 | 0–100% |
| | 9 | Ambre | 000ó 255 | 0–100% |
| | 10 | Ambre Fin | 000ó 255 | 0–100% |
| | 11 | Lime | 000ó 255 | 0–100% |
| | 12 | Lime Fin | 000ó 255 | 0–100% |
| | 13 | Stroboscope | 000ó 010 011ó 255 | Pas de fonction Lent à rapide |

| 12Ch | Canal | Fonction | Valeur | Pourcentage/Configuration |
|------|-------|-----------------------------|----------------------------------------------------------------------|---------------------------------------------------------------------------------------------------------------------------------------------------------------------------------------------------------------------------|
| | 1 | Gradateur | 000ó 255 | 0–100% |
| | 2 | Rouge | 000ó 255 | 0–100% |
| | 3 | Vert | 000ó 255 | 0–100% |
| | 4 | Bleu | 000ó 255 | 0–100% |
| | 5 | Ambre | 000ó 255 | 0–100% |
| | 6 | Lime | 000ó 255 | 0–100% |
| | 7 | Stroboscope | 000ó 010 011ó 255 | Pas de fonction Lent à rapide |
| | 8 | Roue de Couleurs Virtuelles | 000ó 255 | Consultez la section Gamme de Couleurs pour en connaître les valeurs spécifiques |
| | 9 | Température de la Couleur | 000ó 255 | Référez vous à la section Graphique des températures de couleur prédéfinies pour les valeurs spécifiques |
| | 10 | Programmes Auto | 000ó 010 011ó 060 061ó 110 111ó 160 161ó 210 211ó 255 | Pas de fonction Auto 1 Auto 2 Auto 3 Auto 4 Auto 5 |
| | 11 | Vitesse Auto | 000ó 255 | Lent à rapide |
| | 12 | Vitesse du Gradateur | 000ó 051 052ó 101 102ó 152 153ó 203 204ó 255 | Vitesse du gradateur prédéfinie depuis le menu Gradateur linéaire Courbe de gradation non linéaire 1 (le plus rapide) Courbe de gradation non linéaire 2 Courbe de gradation non linéaire 3 (le moins rapide) |

| 10Ch | Canal | Fonction | Valeur | Pourcentage/Configuration |
|------|-------|-----------------------------|--------------------|--------------------------------------------------------------------------------------------------------------------------|
| | 1 | Gradateur | 000ó255 | 0-100% |
| | 2 | Gradateur Fin | 000ó255 | 0-100% |
| | 3 | Rouge | 000ó255 | 0-100% |
| | 4 | Vert | 000ó255 | 0-100% |
| | 5 | Bleu | 000ó255 | 0-100% |
| | 6 | Ambre | 000ó255 | 0-100% |
| | 7 | Lime | 000ó255 | 0-100% |
| | 8 | Stroboscope | 000ó010 011ó255 | Pas de fonction Lent à rapide |
| | 9 | Roue de Couleurs Virtuelles | 000ó255 | Consultez la section Gamme de Couleurs pour en connaître les valeurs spécifiques |
| | 10 | Température de la Couleur | 000ó255 | Référez vous à la section Graphique des températures de couleur prédéfinies pour les valeurs spécifiques |

| 7Ch | Canal | Fonction | Valeur | Pourcentage/Configuration |
|-----|-------|-------------|--------------------|----------------------------------|
| | 1 | Gradateur | 000ó255 | 0-100% |
| | 2 | Rouge | 000ó255 | 0-100% |
| | 3 | Vert | 000ó255 | 0-100% |
| | 4 | Bleu | 000ó255 | 0-100% |
| | 5 | Ambre | 000ó255 | 0-100% |
| | 6 | Lime | 000ó255 | 0-100% |
| | 7 | Stroboscope | 000ó010 011ó255 | Pas de fonction Lent à rapide |

| 5Ch | Canal | Fonction | Valeur | Pourcentage/Configuration |
|-----|-------|----------|---------|---------------------------|
| | 1 | Rouge | 000ó255 | 0-100% |
| | 2 | Vert | 000ó255 | 0-100% |
| | 3 | Bleu | 000ó255 | 0-100% |
| | 4 | Ambre | 000ó255 | 0-100% |
| | 5 | Lime | 000ó255 | 0-100% |

| 3Ch | Canal | Fonction | Valeur | Pourcentage/Configuration |
|-----|-------|-----------------------------|---------|--------------------------------------------------------------------------------------------------------------------------|
| | 1 | Gradateur | 000ó255 | 0-100% |
| | 2 | Roue de Couleurs Virtuelles | 000ó255 | Consultez la section Gamme de Couleurs pour en connaître les valeurs spécifiques |
| | 3 | Température de la Couleur | 000ó255 | Référez vous à la section Graphique des températures de couleur prédéfinies pour les valeurs spécifiques |

| HSV | Canal | Fonction | Valeur | Pourcentage/Configuration |
|-----|-------|------------|---------|---------------------------|
| | 1 | Teintes | 000ó255 | 0-100% |
| | 2 | Saturation | 000ó255 | 0-100% |
| | 3 | Valeur | 000ó255 | 0-100% |

Over deze handleiding De Ovation E-910FC Beknopte Handleiding (BH) bevat basisinformatie over het product, zoals aansluiting, montage, menu-opties en DMX-waarden. Download de gebruikershandleiding op www.chauvetprofessional.com voor meer informatie.

Disclaimer De informatie en specificaties in deze BH kunnen zonder voorafgaande kennisgeving worden gewijzigd.

- Veiligheidsinstructies**
- Open het product NIET. Het bevat geen te onderhouden onderdelen.
 - KIJK NIET in de lichtbron wanneer het apparaat is ingeschakeld.
 - Om onnodige slijtage te elimineren en zijn levensduur te verlengen, gedurende perioden wanneer het product niet wordt gebruikt, moet u het product van de stroom afsluiten door een aardlekschakelaar om te zetten of door het te ontkoppelen.
 - LET OP: Bij het verplaatsen van het product uit extreme omgevingen, (bijv. koude vrachtwagen naar warme, vochtige balzaal) kan er condensvorming optreden op de elektronica van het product. Om storingen te vermijden moet het product volledig kunnen acclimatiseren aan de omgeving voordat het op stroom wordt aangesloten.
 - LET OP: De behuizing van dit product kan heet zijn wanneer het in bedrijf is.
 - Monteer dit product op een plek met voldoende ventilatie, ten minste 50 cm van de aangrenzende oppervlakken.
 - Plaats geen ontvlambaar materiaal binnen 50 cm van dit product als het in gebruik is of is aangesloten op het stopcontact.
 - GEBRUIK een veiligheidskabel bij het boven het hoofd plaatsen van dit product.
 - Gebruik dit product NIET buitenshuis of op een locatie waar stof, grote warmte, water of vochtigheid het kunnen beïnvloeden.
 - Gebruik dit product NIET als de behuizing, lenzen of kabels beschadigd lijken.
 - Sluit dit product NIET aan op een dimmer of een regelweerstand.
 - Sluit dit product UITSLUITEND op een geaard en beveiligd stroomcircuit.
 - Gebruik UITSLUITEND de ophang-/montagebeugels of de hendels om dit product te dragen.
 - Stop in het geval van ernstige operationele problemen onmiddellijk met het gebruik.
 - De maximale omgevingstemperatuur bedraagt 45 °C. Gebruik dit product niet bij hogere temperaturen.

Contact Van buiten de VS, Verenigd Koninkrijk, Ierland, Mexico of België kunt u contact opnemen met de distributeur of om ondersteuning vragen dan wel het product retourneren. Ga naar www.chauvetprofessional.com voor contactinformatie.

Wat is inbegrepen

- Ovation E-910FC
- Neutrik powerCON stroomsnoer
- Soft Focus Filter
- Garantiekaart
- Beknopte handleiding

AC-stroom Dit product heeft een voeding met automatisch bereik die werkt met een ingangsspanning van 100–240 VAC, 50/60 Hz.

Power Linking U kunt tot 6 Ovation E-910FC -producten koppelen bij 120 V, 11 producten bij 208 V of 12 producten bij 230 V. Dit aantal niet overschrijden. Power Linking-snoeren kunnen apart aangeschaft worden.

AC-stekker

| Aansluiting | Snoer (VS) | Snoer (Europa) | Schroefkleur |
|-------------|------------|----------------|--------------|
| AC Live | Zwart | Bruin | Geel/messing |
| AC Neutraal | Wit | Blauw | Zilver |
| AC Aarde | Groen/geel | Groen/geel | Groen |



Om onnodige slijtage te elimineren en zijn levensduur te verlengen, gedurende perioden wanneer het product niet wordt gebruikt, moet u het product van de stroom afsluiten door een aardlekschakelaar om te zetten of door het te ontkoppelen.

De zekering vervangen

1. Ontkoppel dit product van de stroom.
2. Gebruik een kruiskopschroevendraaier nr. 2 en schroef de kap van de zekeringhouder los van de behuizing.
3. Verwijder de doorgebrande zekering en vervang het met een werkende zekering van hetzelfde type en met dezelfde waarde.
4. Schroef de kap van de zekeringhouder terug en steek de stekker er weer in.

DMX-koppeling

De Ovation E-910FC kan met een DMX-controller werken met een normale DMX seriële verbinding. Op www.chauvetprofessional.com is een DMX-basishandleiding verkrijgbaar.

DMX-aansluiting

De Ovation E-910FC gebruikt een normale DMX-gegevensverbinding voor zijn DMX-persoonlijkheden: **3Ch, 5Ch, 7Ch, 10Ch, 12Ch, 13Ch, 15Ch** en **HSV**. Zie de gebruikershandleiding om te verbinden en te configureren voor DMX-werking.

Master/slave-verbinding

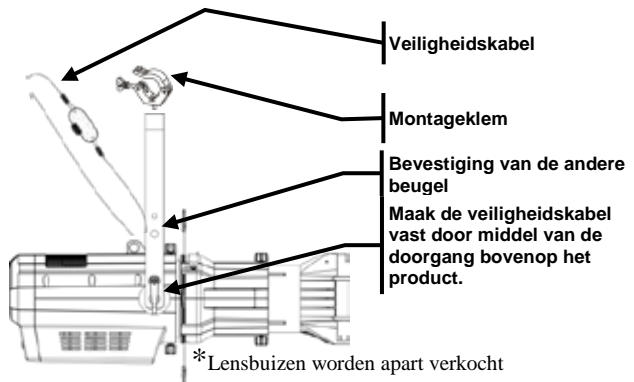
De Ovation E-910FC maakt gebruik van de DMX-dataverbinding voor haar Master/Slave-modus. Zie de gebruikershandleiding om te verbinden en te configureren voor Master/Slave-werking.

RDM (apparaatbeheer op afstand)

Remote Device Management of RDM (apparaatbeheer op afstand) is een standaard die het voor DMX-apparaten mogelijk maakt om in twee richtingen te communiceren over bestaande DMX-kabels. De Ovation E-910FC ondersteunt het RDM-protocol dat zorgt feedback toelaat bij de bewaking van Temperatuur en wijzigingen aan de menu map-opties van **DMX Address** en **DMX Channel**. Download de gebruikershandleiding op www.chauvetprofessional.com voor meer informatie.

Montage

Lees alvorens dit product te monteren alle [Veiligheidsvoorschriften](#). Controleer of de montageklem het gewicht van het product kan dragen. Ga voor onze Chauvet-serie montageklemmen naar <http://trusst.com/products/>.

Montagediagram van het product**Montage boven het hoofd**

Beschrijving bedieningsp aneel

| Toets | Functie |
|---------|------------------------------------------------------------------------------------------------------------|
| <MENU> | Sluit het huidige menu of functie af |
| <ENTER> | Activeert het huidige getoonde menu of plaatst de huidige geselecteerde waarde in de geselecteerde functie |
| <UP> | Navigeert omhoog via het menu of verhoogt de numerieke waarde wanneer in een functie |
| <DOWN> | Navigeert omlaag via het menu of verlaagt de numerieke waarde wanneer in een functie |

Virtueel kleurenwiel

De Ovation E-910FC bevat een functie, genaamd het virtuele kleurenwiel (Virtual Color Wheel, VCW). Deze functie is beschikbaar als een losstaande bedieningsmodus voor handmatig gebruik en ook als een bedieningskanaal in de geselecteerde DMX-persoonlijkheden van de producten. Voor eenvoudiger programmering zijn er meer dan 30 voorgemengde kleuren beschikbaar die speciaal door onze technici zijn samengesteld.

De DMX-waarden die worden gebruikt voor het mengen van deze kleuren staan hieronder vermeld. U kunt de algehele intensiteit van het Ovation-armatuur aanpassen om de kleuren waarmee u bekend bent beter na te bootsen. Op onze website www.chauvetprofessional.com is een tabel beschikbaar om onze voorgemengde kleuren te vergelijken met populaire gelkleuren. Deze grafiek is uitsluitend bedoeld voor vergelijkingsdoeleinden en vormt geen garantie dat onze voorgemengde kleuren overeenkomen met de vermelde gelkleuren.

Kleurenkaart

| DMX-kanaalwaarde | Weergave op het display | Rode waarde | Groene waarde | Blauwe waarde | Gele waarde | Lime waarde |
|------------------|-----------------------------|-------------|---------------|---------------|-------------|-------------|
| 000 005 | -- | 000 | 000 | 000 | 000 | 000 |
| 006 013 | C3050 - Md Yellow | 233 | 163 | 020 | 123 | 255 |
| 014 021 | C3040 - Lt Yellow | 224 | 158 | 047 | 255 | 231 |
| 022 028 | C3240 - Amb Yellow | 180 | 060 | 000 | 245 | 255 |
| 029 035 | C2340 - VLt Amber | 245 | 107 | 081 | 255 | 213 |
| 036 043 | C2040 - Lt Amber | 230 | 130 | 062 | 255 | 155 |
| 044 051 | C2050 - Md Amber | 255 | 000 | 025 | 255 | 194 |
| 052 059 | C2060 - Dk Amber | 255 | 000 | 024 | 255 | 150 |
| 060 067 | C1050 - Lt Red | 255 | 037 | 027 | 030 | 038 |
| 068 075 | C1080 - Md Red | 255 | 004 | 017 | 000 | 000 |
| 076 083 | C1020 - NC Pink | 238 | 135 | 129 | 255 | 255 |
| 084 091 | C1030 - Md Pink | 255 | 131 | 120 | 255 | 195 |
| 092 099 | C1630 - Dk Pink | 250 | 165 | 123 | 255 | 210 |
| 100 107 | C1250 - Md Red Amber | 255 | 000 | 041 | 195 | 055 |
| 108 115 | C1060 - Dk Red Amber | 255 | 000 | 045 | 120 | 030 |
| 116 121 | C1650 - Magenta | 255 | 050 | 115 | 255 | 115 |
| 122 130 | C6170 - Dk Magenta | 255 | 035 | 117 | 000 | 000 |
| 131 138 | C6020 - Lt Lavender | 127 | 122 | 142 | 251 | 255 |
| 139 146 | C5030 - Lt Blue | 000 | 255 | 197 | 100 | 255 |
| 147 154 | C5020 - VLt Blue | 158 | 255 | 189 | 000 | 255 |
| 155 162 | C5430 - Lt Blue 2 | 000 | 255 | 180 | 000 | 243 |
| 163 170 | C5070 - Blue | 043 | 255 | 210 | 043 | 036 |
| 171 178 | C5050 - Md Blue | 000 | 255 | 218 | 000 | 181 |
| 179 186 | C5060 - Dk Blue | 000 | 210 | 206 | 000 | 118 |
| 187 194 | C5690 - Indigo | 065 | 000 | 210 | 040 | 055 |
| 195 202 | C5080 - VDK Blue | 000 | 203 | 230 | 000 | 040 |
| 203 210 | C5081 - VDK Blue 2 | 040 | 199 | 240 | 000 | 045 |
| 211 218 | C4370 - Yel Green | 027 | 255 | 028 | 016 | 104 |
| 219 226 | C4070 - Green | 049 | 255 | 055 | 120 | 090 |
| 227 234 | C4550 - Turquoise | 060 | 230 | 109 | 000 | 245 |
| 235 242 | C4560 - Aqua | 020 | 240 | 126 | 036 | 255 |
| 243 250 | C4570 - Blue Green | 000 | 255 | 079 | 030 | 053 |
| 251 255 | -- | 000 | 000 | 000 | 000 | 000 |

| Grafiek vooringestelde kleurtemperatuur | DMX- kanaalwaarde | Weergave op het display | Rode waarde | Groene waarde | Blauwe waarde | Gele waarde | Lime waarde |
|-----------------------------------------------|----------------------|----------------------------|----------------|------------------|------------------|----------------|----------------|
| | 000 ∘ 005 | -- | 000 | 000 | 000 | 000 | 000 |
| | 006 ∘ 025 | 2800K | 255 | 199 | 107 | 253 | 255 |
| | 026 ∘ 050 | 3200K | 253 | 247 | 129 | 255 | 255 |
| | 051 ∘ 075 | 3500K | 234 | 255 | 141 | 253 | 255 |
| | 076 ∘ 100 | 4000K | 204 | 255 | 156 | 243 | 255 |
| | 101 ∘ 125 | 4500K | 181 | 248 | 166 | 224 | 255 |
| | 126 ∘ 150 | 5000K | 160 | 255 | 180 | 241 | 255 |
| | 151 ∘ 175 | 5600K | 138 | 255 | 191 | 241 | 255 |
| | 176 ∘ 200 | 6000K | 147 | 255 | 193 | 203 | 255 |
| | 201 ∘ 225 | 6500K | 142 | 251 | 197 | 187 | 255 |
| | 226 ∘ 255 | -- | 000 | 000 | 000 | 000 | 000 |



Let op: De bovenstaande kleurtemperaturen zijn gesimuleerde weergaven van de geproduceerde kleuropbrengst, in vergelijking met een wolfram-lamp bij de opgegeven kleurtemperatuur. Chauvet geeft geen garantie over de nauwkeurigheid van de kleuropbrengst.

Menupap

| Hoofd-niveau | Programmeerniveaus | | Beschrijving | |
|---------------------|---------------------|--------|--------------------------------------------------------------------------------------------------------------------------------|---------------------------------------------------------------------------------------------------------------------------------------------|
| DMX Address | <001–512> | | Selecteert het DMX-startadres | |
| DMX Channel | 3Ch | | 3-kanaals: dimmer, VCW, kleurtemperatuur | |
| | 5Ch | | 5-kanaals: RGBAL-regeling | |
| | 7Ch | | 7-kanaals: RGBAL-regeling, dimmer, stroboscoop | |
| | 10Ch | | 10-kanaals: RGBAL-regeling, 16-bit dimmer, stroboscoop, VCW, kleurtemperatuur | |
| | 12Ch | | 12-kanaals: RGBAL-regeling, dimmer, stroboscoop, VCW, kleurtemperatuur, automatische programma's, autosnelheid, dimmersnelheid | |
| | 13Ch | | 13-kanaals: 16-bit RGBAL en dimmer, stroboscoop | |
| | 15Ch | | 15-kanaals: 16-bit RGBAL en dimmer, stroboscoop, VCW, kleurtemperatuur | |
| | HSV | | 3-kanaals: HSV-regeling | |
| Virtual Color Wheel | Virtual Color Wheel | Dimmer | <001–512> | Het virtuele kleurenwiel simuleert de opbrengst van elke gelkleur. Raadpleeg de sectie kleurenkaart voor specifieke waarden |
| | C3050 - Md Yellow | | | |
| | C3040 - Lt Yellow | | | |
| | C3240 - Amb Yellow | | | |
| | C2340 - VLt Amber | | | |
| | C2040 - Lt Amber | | | |
| | C2050 - Md Amber | | | |
| | C2060 - Dk Amber | | | |
| | C1050 - Lt Red | | | |

| Hoofd-niveau | Programmeerniveaus | | | Beschrijving | |
|-------------------------------|-------------------------------|-------------------------------------------------------------------------------|--------|--------------|----------------------------------------------------------------------------------------------------------------------------------------------------------------------------------------------------------|
| Virtual Color Wheel (vervolg) | Virtual Color Wheel (vervolg) | C1080 - Md Red | Dimmer | <001-512> | Het virtuele kleurenwiel simuleert de opbrengst van elke gelkleur. Raadpleeg de sectie kleurenkaart voor specifieke waarden |
| | | C1020 - NC Pink | | | |
| | | C1030 - Md Pink | | | |
| | | C1630 - Dk Pink | | | |
| | | C1250 - Md Red Amber | | | |
| | | C1060 - Dk Red Amber | | | |
| | | C1650 - Magenta | | | |
| | | C6170 - Dk Magenta | | | |
| | | C6020 - Lt Lavender | | | |
| | | C5030 - Lt Blue | | | |
| | | C5020 - VLt Blue | | | |
| | | C5430 - Lt Blue 2 | | | |
| | | C5070 - Blue | | | |
| | | C5050 - Md Blue | | | |
| | | C5060 - Dk Blue | | | |
| | | C5690 - Indigo | | | |
| | | C5080 - VDk Blue | | | |
| | | C5081 - VDk Blue 2 | | | |
| | | C4370 - Yel Green | | | |
| | | C4070 - Green | | | |
| C4550 - Turquoise | | | | | |
| C4560 - Aqua | | | | | |
| C4570 - Blue Green | | | | | |
| | Color Temperature | 2800K 3200K 3500K 4000K 4500K 5000K 5600K 6000K 6500K | Dimmer | <001-512> | Vooringestelde witte kleurtemperaturen. Emuleert een wolfram-lamp bij de opgegeven kleurtemperatuur. Raadpleeg de sectie Grafiek vooringestelde kleurtemperatuur voor specifieke waarden |
| | Manual Color Mixer | Red Green Blue Amber Lime | | <0-255> | Combineert rood, groen, blauw, amber and lime om een aangepaste kleur te genereren (0-100%) |

| Hoofdniveau | Programmeerniveaus | | Beschrijving | |
|---------------|--------------------|-------------|-------------------------------------------------------------------------------------------------------|----------------------------------------------|
| Auto Show | Auto 1 | <1-100> | Selecteert automatische programma's en automatische programmasnelheid | |
| | Auto 2 | | | |
| | Auto 3 | | | |
| | Auto 4 | | | |
| | Auto 5 | | | |
| Master/Slave | Master | | Ontvangt DMX-signalen van de DMX-controller | |
| | Slave | | Ontvangt DMX-signalen van de master | |
| Dimmer Mode | Off | | Selecteert dimprofielen van snel (Dimmer1) tot langzaam Dimmer3) of Off (uit) | |
| | Dimmer 1-3 | | | |
| White Balance | OFF | | Gebruikt standaard witte instelling | |
| | Manual | Red | <000-255> | Stelt de maximum waarde van de rode LED in |
| | | Green | | Stelt de maximum waarde van de groene LED in |
| | | Blue | | Stelt de maximum waarde van de blauwe LED in |
| | | Amber | | Stelt de maximum waarde van de amber LED in |
| | | Lime | | Stelt de maximum waarde van de lime LED in |
| LED Frequency | 600Hz | | Selecteert de PWM-uitgangsfrequentie | |
| | 1200Hz | | | |
| | 2000Hz | | | |
| | 4000Hz | | | |
| | 6000Hz | | | |
| | 25KHz | | | |
| Fan Mode | Auto | | Balanceert LED-koeling met ventilators en niveau van het uitgangsvermogen | |
| | On | | Zorgt voor LED-koeling met ventilators die het volledige uitgangsvermogen mogelijk maken | |
| Back Light | On | | De backlight van de display is altijd aan | |
| | 10S | | Schakelt de backlight van de display uit na 10s van inactiviteit | |
| | 20S | | Schakelt de backlight van de display uit na 20s van inactiviteit | |
| | 30S | | Schakelt de backlight van de display uit na 30s van inactiviteit | |
| Information | Fixture Hours | <_ _ _ _ H> | Toont het totale aantal producturen | |
| | Version | <V_ _> | Toont de geïnstalleerde softwareversie | |
| | UID: | ----- | Geeft de huidige UID # | |

DMX-waarden

| 15Ch | Kanaal | Functie | Waarde | Percentage/instelling |
|------|--------|----------------------|----------------------|-----------------------------------------------------------------------------------------------------|
| | 1 | Dimmer | 000ó 255 | 0–100% |
| | 2 | Fijne dimmer | 000ó 255 | 0–100% |
| | 3 | Rood | 000ó 255 | 0–100% |
| | 4 | Fijn rood | 000ó 255 | 0–100% |
| | 5 | Groen | 000ó 255 | 0–100% |
| | 6 | Fijn groen | 000ó 255 | 0–100% |
| | 7 | Blauw | 000ó 255 | 0–100% |
| | 8 | Fijn blauw | 000ó 255 | 0–100% |
| | 9 | Geel | 000ó 255 | 0–100% |
| | 10 | Fijn geel | 000ó 255 | 0–100% |
| | 11 | Lime | 000ó 255 | 0–100% |
| | 12 | Fijn Lime | 000ó 255 | 0–100% |
| | 13 | Stroboscoop | 000ó 010 011ó 255 | Geen functie Langzaam tot snel |
| | 14 | Virtueel kleurenwiel | 000ó 255 | Raadpleeg de sectie kleurenkaart voor specifieke waarden |
| | 15 | Kleurtemperatuur | 000ó 255 | Raadpleeg de sectie Grafiek vooringestelde kleurtemperatuur voor specifieke waarden |

| 13Ch | Kanaal | Functie | Waarde | Percentage/instelling |
|------|--------|--------------|----------------------|-----------------------------------|
| | 1 | Dimmer | 000ó 255 | 0–100% |
| | 2 | Fijne dimmer | 000ó 255 | 0–100% |
| | 3 | Rood | 000ó 255 | 0–100% |
| | 4 | Fijn rood | 000ó 255 | 0–100% |
| | 5 | Groen | 000ó 255 | 0–100% |
| | 6 | Fijn groen | 000ó 255 | 0–100% |
| | 7 | Blauw | 000ó 255 | 0–100% |
| | 8 | Fijn blauw | 000ó 255 | 0–100% |
| | 9 | Geel | 000ó 255 | 0–100% |
| | 10 | Fijn geel | 000ó 255 | 0–100% |
| | 11 | Lime | 000ó 255 | 0–100% |
| | 12 | Fijn Lime | 000ó 255 | 0–100% |
| | 13 | Stroboscoop | 000ó 010 011ó 255 | Geen functie Langzaam tot snel |

| 12Ch | Kanaal | Functie | Waarde | Percentage/instelling |
|------|--------|-----------------------------|----------------------------------------------------------------------|--------------------------------------------------------------------------------------------------------------------------------------------------------------------------------------------|
| | 1 | Dimmer | 000ó 255 | 0-100% |
| | 2 | Rood | 000ó 255 | 0-100% |
| | 3 | Groen | 000ó 255 | 0-100% |
| | 4 | Blauw | 000ó 255 | 0-100% |
| | 5 | Geel | 000ó 255 | 0-100% |
| | 6 | Lime | 000ó 255 | 0-100% |
| | 7 | Stroboscoop | 000ó 010 011ó 255 | Geen functie Langzaam tot snel |
| | 8 | Virtueel kleurenwiel | 000ó 255 | Raadpleeg de sectie kleurenkaart voor specifieke waarden |
| | 9 | Kleurtemperatuur | 000ó 255 | Raadpleeg de sectie Grafiek vooringestelde kleurtemperatuur voor specifieke waarden |
| | 10 | Automatische programma's | 000ó 010 011ó 060 061ó 110 111ó 160 161ó 210 211ó 255 | Geen functie Auto 1 Auto 2 Auto 3 Auto 4 Auto 5 |
| | 11 | Automatische snelheid | 000ó 255 | Langzaam tot snel |
| | 12 | Dimmersnelheid | 000ó 051 052ó 101 102ó 152 153ó 203 204ó 255 | Voorinstelling van de dimmersnelheid vanaf het displaymenu Lineaire dimmer Niet-lineaire dimcurve 1 (snelst) Niet-lineaire dimcurve 2 Niet-lineaire dimcurve 3 (langzaamst) |

| 10Ch | Kanaal | Functie | Waarde | Percentage/instelling |
|------|--------|-------------------------|----------------------|---------------------------------------------------------------------------------------------------------|
| | 1 | Dimmer | 000ó 255 | 0-100% |
| | 2 | Fijne dimmer | 000ó 255 | 0-100% |
| | 3 | Rood | 000ó 255 | 0-100% |
| | 4 | Groen | 000ó 255 | 0-100% |
| | 5 | Blauw | 000ó 255 | 0-100% |
| | 6 | Geel | 000ó 255 | 0-100% |
| | 7 | Lime | 000ó 255 | 0-100% |
| | 8 | Stroboscoop | 000ó 010 011ó 255 | Geen functie Langzaam tot snel |
| | 9 | Virtueel kleurenwiel | 000ó 255 | Raadpleeg de sectie kleurenkaart voor specifieke waarden |
| | 10 | Kleurtemperatuur | 000ó 255 | Raadpleeg de sectie Grafiek vooringestelde kleurtemperatuur voor specifieke waarden |

| 7Ch | Kanaal | Functie | Waarde | Percentage/instelling |
|-----|--------|-------------|----------------------|-----------------------------------|
| | 1 | Dimmer | 000ó 255 | 0-100% |
| | 2 | Rood | 000ó 255 | 0-100% |
| | 3 | Groen | 000ó 255 | 0-100% |
| | 4 | Blauw | 000ó 255 | 0-100% |
| | 5 | Geel | 000ó 255 | 0-100% |
| | 6 | Lime | 000ó 255 | 0-100% |
| | 7 | Stroboscoop | 000ó 010 011ó 255 | Geen functie Langzaam tot snel |

| 5Ch | Kanaal | Functie | Waarde | Percentage/instelling |
|-----|--------|---------|----------|-----------------------|
| | 1 | Rood | 000ó 255 | 0-100% |
| | 2 | Groen | 000ó 255 | 0-100% |
| | 3 | Blauw | 000ó 255 | 0-100% |
| | 4 | Geel | 000ó 255 | 0-100% |
| | 5 | Lime | 000ó 255 | 0-100% |

| 3Ch | Kanaal | Functie | Waarde | Percentage/instelling |
|-----|--------|-------------------------|----------|---------------------------------------------------------------------------------------------------------|
| | 1 | Dimmer | 000ó 255 | 0-100% |
| | 2 | Virtueel kleurenwiel | 000ó 255 | Raadpleeg de sectie kleurenkaart voor specifieke waarden |
| | 3 | Kleurtemperatuur | 000ó 255 | Raadpleeg de sectie Grafiek vooringestelde kleurtemperatuur voor specifieke waarden |

| HSV | Kanaal | Functie | Waarde | Percentage/instelling |
|-----|--------|-------------|----------|-----------------------|
| | 1 | Tint | 000ó 255 | 0-100% |
| | 2 | Verzadiging | 000ó 255 | 0-100% |
| | 3 | Waarde | 000ó 255 | 0-100% |

Contact Us

USA WORLD HEADQUARTERS

General Information

Address: 5200 NW 108th Avenue
Sunrise, FL 33351
Voice: (954) 577-4455
Fax: (954) 929-5560
Toll free: (800) 762-1084

Technical Support

Voice: (844) 393-7575
Fax: (954) 756-8015
Email: chauvetcs@chauvetlighting.com

World Wide Web

www.chauvetlighting.com

EUROPE

General Information

Address: Stokstraat 18
9770 Kruishoutem
Belgium
Voice: +32 9 388 93 97

Technical Support

Email: Eutech@chauvetlighting.eu

World Wide Web

www.chauvetlighting.eu

General Information

Address: Unit 1C
Brookhill Road Industrial Estate
Pinxton, Nottingham, UK
NG16 6NT
Voice: +44 (0)1773 511115
Fax: +44 (0)1773 511110

Technical Support

Email: uktech@chauvetlighting.com

World Wide Web

www.chauvetlighting.co.uk

MEXICO

General Information

Address: Av. de las Partidas 34, 3-B
(Entrance by Calle 2)
Zona Industrial Lerma
Lerma, Edo. de México, CP 52000
Voice: +52 (728) 690-2010

Technical Support

Email: servicio@chauvet.com.mx

World Wide Web

www.chauvet.com.mx

Visit the applicable website above to verify our contact information and instructions to request support. Outside the U.S., United Kingdom, Ireland, Mexico or Benelux, contact the dealer of record.



UL 1573
CSA C22.2 No. 166
E113093

