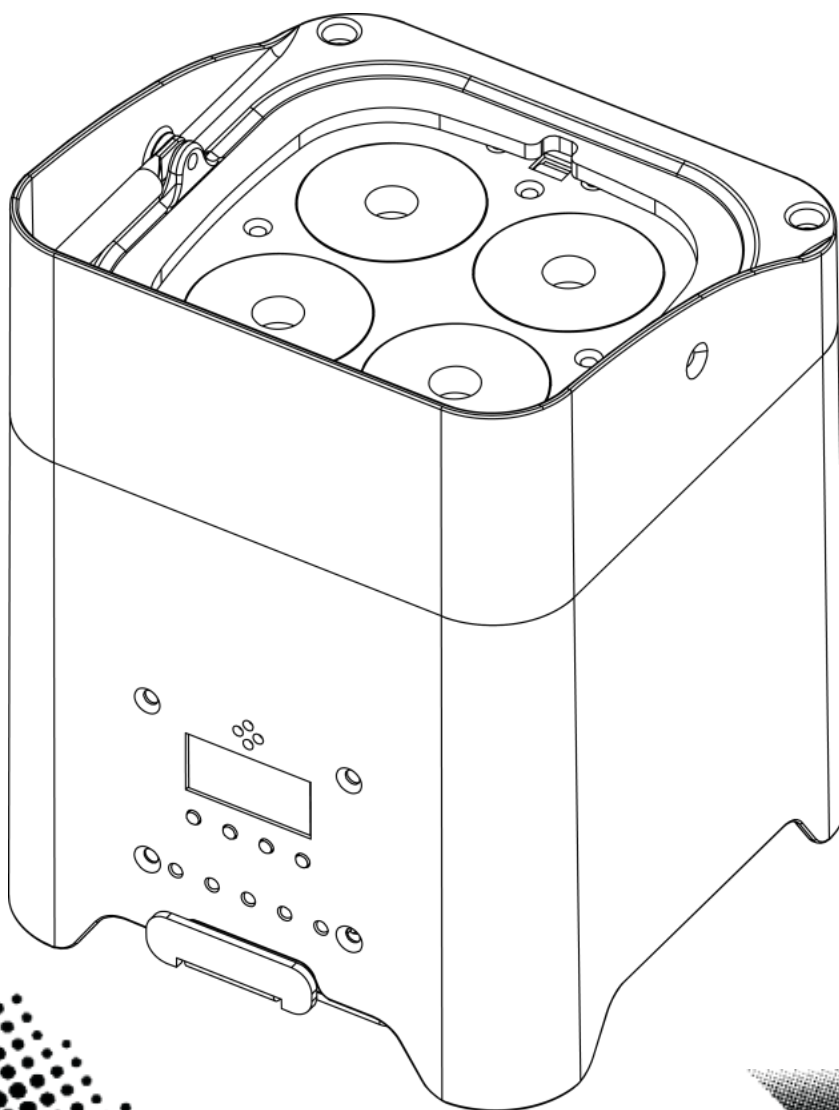


FREEDOM PAR[®] HEX-4

User Manual




CHAUVET[®]3

TABLE OF CONTENTS

1. Before You Begin.....	3
What Is Included.....	3
Unpacking Instructions	3
Claims	3
Text Conventions.....	3
Symbols.....	3
Disclaimer.....	3
Product at a Glance.....	4
2. Introduction.....	5
Overview.....	5
Description.....	5
Dimensions.....	6
3. Setup	7
AC Power	7
Fuse Replacement.....	7
Fuse Replacement Diagram	7
Power Linking	8
Battery Run Time.....	8
Setting the Limiter Option	8
Mounting.....	9
Orientation	9
Rigging	9
4. Operation.....	10
Control Panel Operation	10
Menu Map	10
DMX Linking	11
Starting Address.....	11
Master/Slave Mode	11
DMX Personalities.....	11
D-Fi 2.4 GHz (DMX Mode Manual Sync).....	12
D-Fi 2.4 GHz (DMX Mode Auto Sync).....	13
Linking Products	13
DMX Channel Assignments and Values	14
Configuration (Standalone).....	16
Sound-Active Mode.....	16
Sound Sensitivity.....	16
Auto Programs	16
Program Speed.....	16
Selecting the Dimmer Speed Mode.....	16
Static Colors.....	16
Custom Color Mixing.....	16
Infrared Mode.....	17
IRC-6 Operations.....	17
5. Technical Information.....	18
Product Maintenance.....	18
6. Technical Specifications	19
Returns.....	20
Contact Us.....	21

1. BEFORE YOU BEGIN

What Is Included

- Freedom Par Hex-4
- Power Cord
- IRC-6 (Infrared Remote Control)
- Warranty Card
- Quick Reference Guide

Unpacking Instructions

Carefully unpack the Freedom Par Hex-4 and check that all the parts are in the package, and are in good condition.

Claims




If the box, or any of the contents, appear damaged from shipping, save all the packaging and file a claim with the carrier immediately. Failure to report damage to the carrier immediately, or failure to save all the packaging, can invalidate a claim.

For other issues, such as missing components or parts, damage not related to shipping, or concealed damage, file a claim with Chauvet within 7 days of delivery. See [Contact Us](#).

Text Conventions

Convention	Meaning
1—512	A range of values
50/60	A set of values of which only one can be chosen
Settings	A menu option not to be modified
Menu > Settings	A sequence of menu options to be followed
<Enter>	A key to be pressed on the product's control panel
ON	A value to be entered or selected

Symbols

Symbol	Meaning
	Critical installation, configuration, or operation information. Not following these instructions may make the product not work, cause damage to the product, or cause harm to the operator.
	Important installation or configuration information. The product may not function correctly if this information is not used.
	Useful information.

Disclaimer

Chauvet believes that the information contained in this manual is accurate in all respects. However, Chauvet assumes no responsibility and specifically disclaims any and all liability to any party for any loss, damage or disruption caused by any errors or omissions in this document, whether such errors or omissions result from negligence, accident or any other cause. Chauvet reserves the right to revise the content of this document without any obligation to notify any person or company of such revision, however, Chauvet has no obligation to make, and does not commit to make, any such revisions. Download the latest version from www.chauvetlighting.com.

The works of authorship contained in this manual, including, but not limited to, all design, text and images are owned by Chauvet.

© Copyright 2016 Chauvet & Sons, Inc. All rights reserved.

Electronically published by Chauvet in the United States of America.

CHAUVET, the Chauvet logo, Freedom Par Hex-4, and D-Fi are registered trademarks or trademarks of Chauvet & Sons Inc. (d/b/a Chauvet and Chauvet Lighting) in the United States and other countries. Other company and product names and logos referred to herein may be trademarks of their respective companies.

Product at a Glance

Use on Dimmer	X	Auto Program	P
Outdoor Use	X	Auto-Ranging Power Supply	P
Sound-Activated	P	Replaceable Fuse	P
DMX	P	User-Serviceable	X
Master/Slave	P		

Safety Notes

These notes include important information about the mounting, usage, and maintenance of this product; read before using the product.



- Always connect the product to a grounded circuit to avoid the risk of electrocution.
- Always disconnect the product from the power source before cleaning or replacing the fuse.
- Avoid direct eye exposure to the light source while the product is on.
- Make sure the power cord is not crimped or damaged.
- Never disconnect the product from power by pulling or tugging on the cord.
- If mounting the product overhead, always secure to a fastening device using a safety cable.
- Make sure there are no flammable materials close to the product when operating.
- Do not touch the product's housing when operating because it may be very hot.



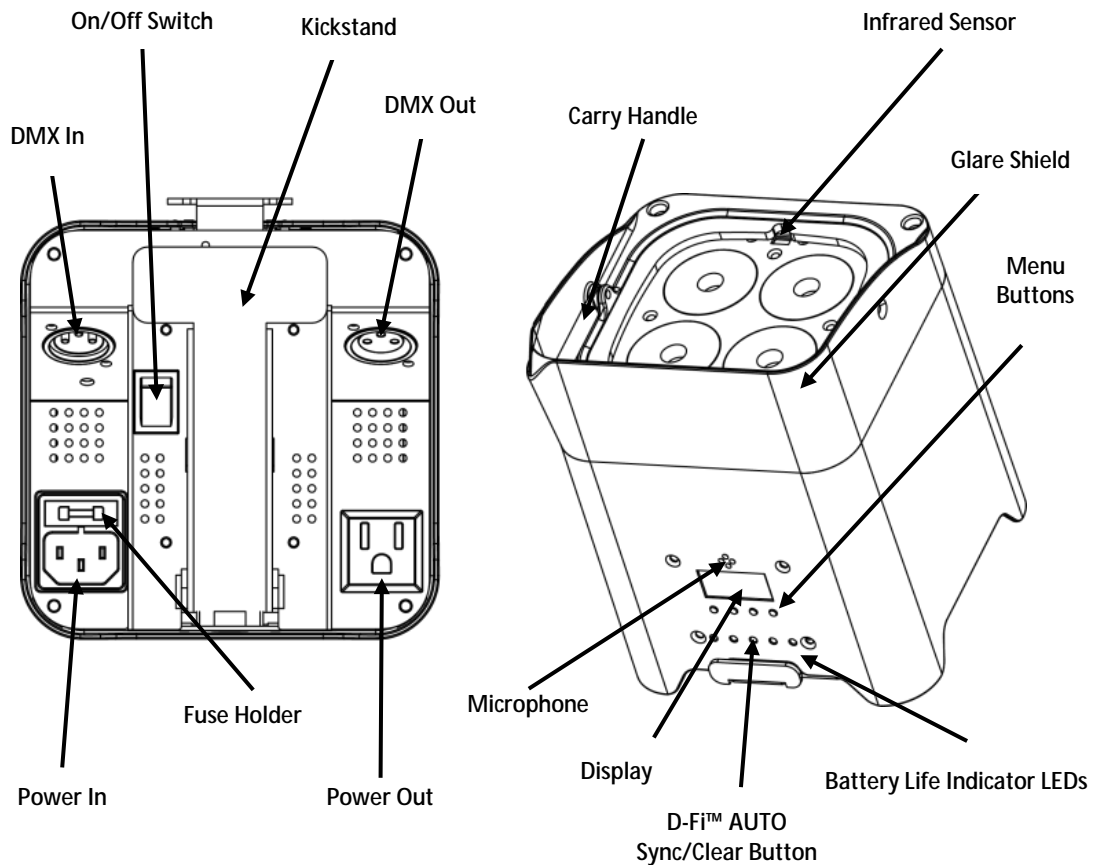
- Always make sure that the voltage of the outlet to which you are connecting the product is within the range stated on the decal or rear panel of the product.
- The product is for indoor use only! (IP20) To prevent risk of fire or shock, do not expose the product to rain or moisture.
- Always install the product in a location with adequate ventilation, at least 20 in (50 cm) from adjacent surfaces.
- Be sure that no ventilation slots on the product's housing are blocked.
- Never connect the product to a dimmer.
- Make sure to replace the fuse with another of the same type and rating.
- Never carry the product from the power cord.
- The maximum ambient temperature (Ta) is 104 °F (40 °C). Do not operate the product at higher temperatures.
- In the event of a serious operating problem, stop using the product immediately.
- Never try to repair the product. Repairs carried out by unskilled people can lead to damage or malfunction. Contact the nearest authorized technical assistance center.
- This product is not intended for permanent installation.
- To eliminate unnecessary wear and improve its lifespan, during periods of non-use completely disconnect the product from power via breaker or by unplugging it.



Keep this User Manual for future use. If you sell the product, be sure to give this document to the next owner.

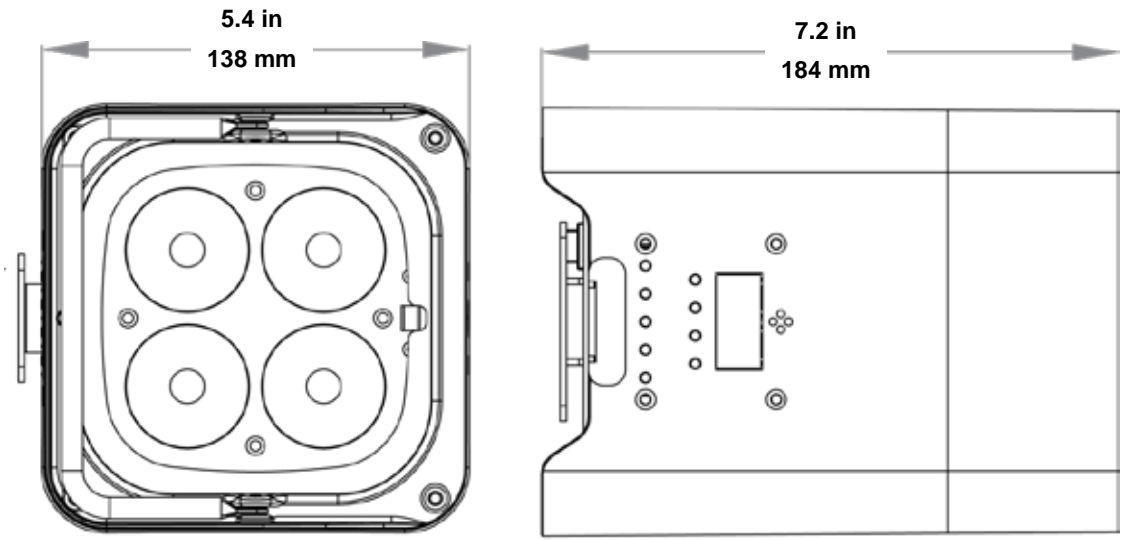
2. INTRODUCTION

Overview

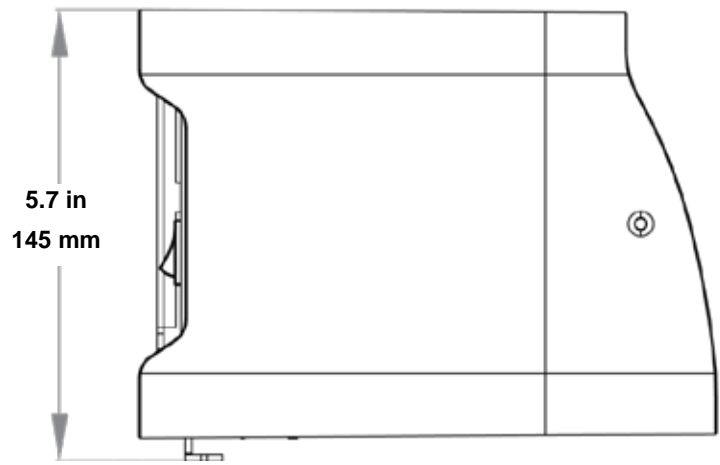


Description

The Freedom Par Hex-4 is a wireless, battery-operated, hex-color LED wash fixture. It can be used as an upright on the floor or suspended overhead. It has a compact design that works with TRUSST, and an adjustable kickstand for easy floor placement. The RGBAW+UV LEDs allow for infinite color mixing with the added punch of ultra-violet light. The built-in wireless D-Fi transmitter and receiver allow wireless Master/Slave control of up to 32 Freedom Par Hex-4s. The Freedom Par Hex-4 can also be controlled with a D-Fi compatible controller, such as the Obey 40 D-Fi.



Dimensions



3. SETUP

AC Power The Freedom Par Hex-4 has an internal auto-ranging power supply and it can work with an input voltage range of 100 to 240 VAC, 50/60 Hz.



Always connect the product to a protected circuit (circuit breaker or fuse). Make sure the product has an appropriate electrical ground to avoid the risk of electrocution or fire.



Never connect the product to a rheostat (variable resistor) or dimmer circuit, even if the rheostat or dimmer channel serves only as a 0 to 100% switch.

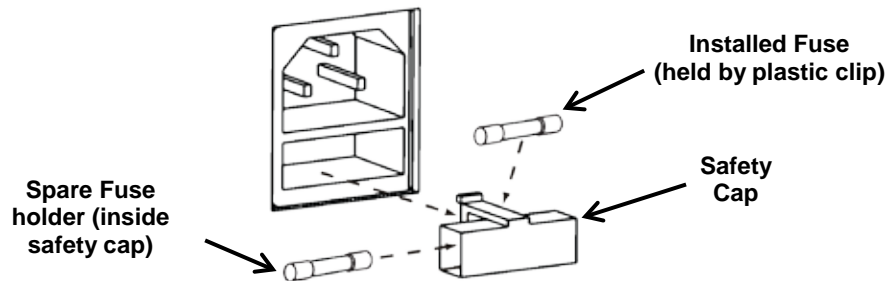
Fuse Replacement

1. Disconnect the product from power.
2. Wedge the tip of a flat-head screwdriver into the slot of the fuse holder.
3. Pry the fuse holder out of the housing.
4. Remove the blown fuse from the holder.
5. Replace with a fuse of the exact same type and rating.
6. Insert the fuse holder back in place and reconnect power.



Disconnect the product from power before replacing the fuse.

Fuse Replacement Diagram



Always replace a blown fuse with another of the same type and rating.



A spare fuse is not included; however, the safety cap has room for a spare.

Power Linking

Daisy chaining products together through their Power In and Power Out sockets, called power linking, allows many products to be powered from one power outlet



Up to 26 Freedom Par Hex-4 products can be power linked at 120 V, and up to 50 Freedom Par Hex-4 products can be power linked at 230 V.

Battery Power

The Freedom Par Hex-4 comes with a rechargeable lithium battery for cable-free operation.

Charging the Battery

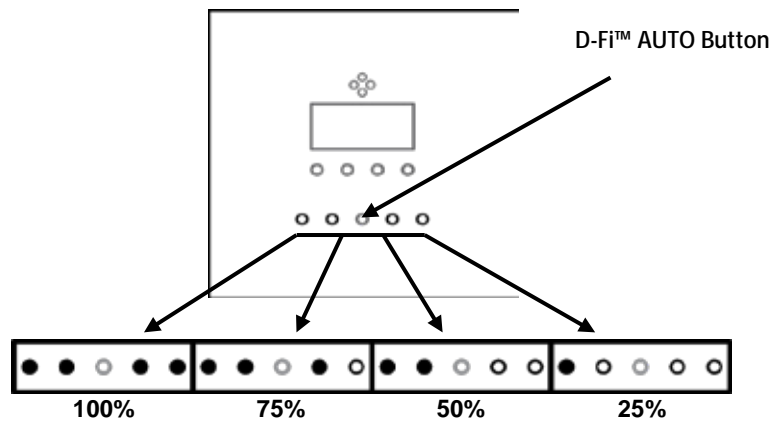
The battery charges whenever the product is plugged into a power source. If the product is plugged in and not in operation, make sure the On/Off switch is in the **Off** position.



For optimal battery life, charge the Freedom Par Hex-4 battery for 24 hours prior to initial use.

Battery Life Indicator

The battery life indicators are the 4 small green LEDs on either side of the D-Fi <AUTO> button. The indicators show how much battery life remains available. The diagram below provides a key to reading the battery life indicators.



Battery Run Time

The Freedom Par Hex-4 has a limiter option that decreases the power output and extends battery life when more than 4 colors are turned on. This option is set in the control panel.

Note: The battery times listed below assume that the limiter option is enabled.

Maximum Run Time (all colors on)	Maximum Run Time (single color on)	Recharge Time
Up to 8 hours	Up to 20 hours	6 hours

Setting the Limiter Option

To select whether the limiter is on or off, follow the instructions below:

1. Press <MENU> repeatedly until **Limi** shows on the display.
2. Press <ENTER> and **On** (activates limiter) or **OFF** (deactivates limiter) shows on the display.
3. Use <UP> or <DOWN> to select the desired option.
4. Press <ENTER>.

Mounting Before mounting the product, read and follow the safety recommendations indicated in [Safety Notes](#).

Orientation The Freedom Par Hex-4 has a compact design to fit perfectly inside the TRUSST truss systems. It attaches to 35-50 mm truss without the need for a bracket, using an M12 threaded rigging point. Floor mounting is a cinch with a built-in adjustable kickstand. The product may be mounted in any position; however, place the product so there is at least 20" of space around it and it is accessible for programming and control panel operation.

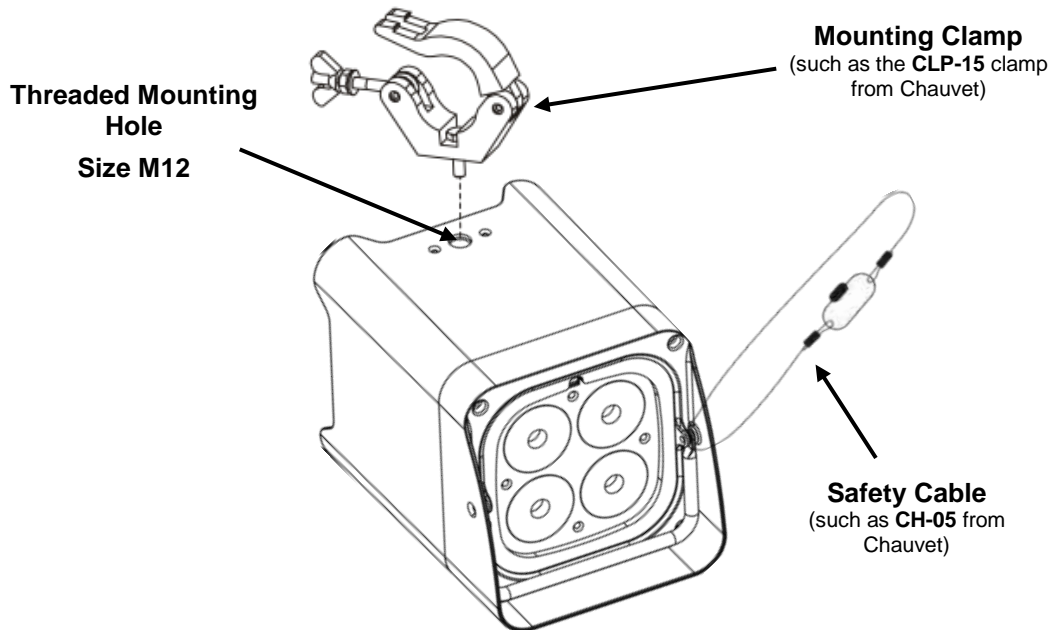
Rigging Rig the product from a structure or surface that can support the product's weight. See [Technical Specifications](#) in this manual for the product's weight.

When mounting the product overhead, always use a mounting clamp and safety cable. Mount the product securely to a rigging point, such as a pipe or truss. The CHAUVET CH-05 safety cable is appropriate for this product.

When rigging the product onto a truss, you should use a mounting clamp of appropriate weight capacity. The Freedom Par Hex-4 has an M12 threaded mounting hole, which is appropriate for this purpose. For the Chauvet line of mounting clamps, go to www.chauvetlighting.com/cables-clamps-main.html/.

When mounting the product on the floor, make sure that the product and any cables are away from people and vehicles.

**Mounting
Diagram**



4. OPERATION

Control Panel Operation To access the control panel functions, use the buttons located underneath the display.

Button	Function
<MENU>	Selects an operation mode
<UP>	Scrolls up the list of options or selects a higher value
<DOWN>	Scrolls down the list of options or selects a lower value
<ENTER>	Activates a menu option or a selected value
<AUTO>	Auto-syncs D-Fi or displays information about D-Fi status

Menu Map The Menu Map outlines the functions available through the menu, the programming levels that can be entered, and a description for each function.

Main Function	Programming Levels		Description	
DMX Personality and Starting Address	6-CH	d 1–d512	Selects DMX personality and DMX starting value	
	8-CH			
	12CH			
Static Colors	C--	C 1–C 63	Selects 1 of 63 static colors	
Auto Programs	P--	P 1–P 4	Selects 1 of 4 auto programs	
Program Speed	S--	S 1–S100	Sets auto program speed (slow to fast)	
Sound-Active	Snd		Selects Sound-Active mode	
Sound Sensitivity	SenS	u 0–u100	Sets sound sensitivity (low to high)	
Custom Color Mixing	U--	r 0–r255	Red (0–100%)	
		g 0–g255	Green (0–100%)	
		b 0–b255	Blue (0–100%)	
		A 0–A255	Amber (0–100%)	
		W 0–W255	White (0–100%)	
		P 0–P255	UV (0–100%)	
Dimmer	DIM	OFF	Sets the dimming speed mode: dIM1 (fast) to dIM3 (slow), or OFF	
		dIM1		
		dIM2		
		dIM3		
Infrared	SET	On	Turns infrared on or off	
		OFF		
2.4 GHz D-Fi	S-tr	drAS	drAU	Automatically select receive frequency
		drCH	dr 1–dr16	Manually select receive frequency
		dtAS	dtAU	Automatically select transmit frequency
		dtCH	dt 1–dt16	Manually select transmit frequency
Limiter	Limi	On	Turns limiter on, enabling extended battery life	
		Off	Turns limiter off, disabling extended battery life	

DMX Linking

The Freedom Par Hex-4 operates in Master/Slave mode, or in DMX mode, both of which require DMX linking. In Master/Slave mode the master product sends DMX signals to the slaves. In DMX mode the lighting control board sends DMX signals to the products.

To DMX-link a number of Freedom Par Hex-4 using wireless D-Fi, see [D-Fi 2.4 GHz \(DMX Mode Manual Sync\)](#).

To DMX link a number of Freedom Par Hex-4 using DMX cable

- connect the DMX cable from DMX Out of the board, to DMX In of the first product, or
- connect the DMX cable from DMX Out of the master, to DMX In of the first slave.

Then connect another DMX cable from DMX Out of the first product/slave to DMX In of the next product/slave.

Continue connecting each subsequent product until all the products are part of the chain.

Information about DMX is in the DMX Primer, which is available from the Chauvet website www.chauvetlighting.com/download/.



When DMX linking Freedom Par Hex-4 products for Master/Slave operation, the DMX controller is not a part of the DMX daisy chain and the master is the first product in the chain. See [Master/Slave Mode](#) for details.

Starting Address

To ensure full access to all channels in each DMX mode, the highest recommended DMX address is **501**.

Master/Slave Mode

Master/Slave mode allows a single Freedom Par Hex-4 (the master) to control the actions of one or more Freedom Par Hex-4 units (the slaves) without a DMX controller.

The master will be set to operate in either an auto program or Sound-Active mode, while the slaves will be set to DMX starting address **d 1**. Once set and connected, the slaves will operate in unison with the master. Configure the units as indicated below.

Slaves:

1. Press **<MENU>** repeatedly until any DMX personality shows on the display.
2. Press **<ENTER>** to accept.
3. Set the DMX address to **d 1**.
4. Connect the DMX input of the first slave to the DMX output of the master.
5. Connect the DMX input of the subsequent slaves to the DMX output of the previous slave.
6. Finish setting and connecting all the slaves.

Master:

1. Set the master to operate in either an auto program or Sound-Active mode.
2. Make the master the first unit in the DMX daisy chain.
 - **Configure all the slaves to Slave mode before connecting the master to the DMX daisy chain.**
 - **Never connect a DMX controller to a DMX daisy chain of master and slaves.**
 - **Make the master the first unit in the DMX daisy chain.**
 - **Always put the male DMX connector (DMX Out) into the master.**
 - **DO NOT connect more than 31 slaves to the master using DMX cable.**



DMX Personalities

When selecting a starting DMX address, always consider the number of DMX channels the selected DMX mode uses. If you choose a starting address that is too high, you could restrict the access to some of the product's channels.

If unfamiliar with DMX, download the DMX Primer from www.chauvetlighting.com.

To select the DMX personality and starting address, do the following:

1. Press **<MENU>** repeatedly until **6-CH** (6-channel mode), **8-CH** (8-channel mode) or **12CH** (12-channel mode) shows on the display.
2. Press **<ENTER>** and **d 1–d512** shows on the display.
3. Use **<UP>** or **<DOWN>** to select the starting address.
4. Press **<ENTER>**.

D-Fi 2.4 GHz (DMX Mode Manual Sync)

The Freedom Par Hex-4 series offers wireless control of 2 or more products with a single DMX controller. To manually set up the D-Fi 2.4 GHz syncing for DMX, do the following.

For the transmitting product:

1. Press **<MENU>** repeatedly until **S-tr** shows on the display.
2. Press **<ENTER>**.
3. Press **<UP>** or **<DOWN>** until **dtCH** appears on the display.
4. Press **<ENTER>**.
5. Use **<UP>** or **<DOWN>** to select the transmitting signal (**dt 1–dt16**).

For the receiving product(s):

1. Press **<MENU>** repeatedly until **S-tr** shows on the display.
2. Press **<ENTER>**.
3. Press **<UP>** or **<DOWN>** until **drCH** appears on the display.
4. Press **<ENTER>**.
5. Use **<UP>** or **<DOWN>** to select the receiving signal (**dr 1–dr16**). The channel number should match the transmitting signal you chose when setting up the transmitting product.



To sync multiple transmitters in one room, manually set each receiver and the designated transmitter to a specific frequency and then perform the syncing steps.



Freedom Par Hex-4 is fully compatible with the D-Fi 2.4 GHz wireless transceiver (transmitter/receiver) from Chauvet (sold separately).

For more detailed information about D-Fi 2.4 GHz functionality, refer to the D-Fi 2.4 GHz User Manual available at the Chauvet website www.chauvetlighting.com.



Manual syncing is recommended for best results.

D-Fi 2.4 GHz (DMX Mode Auto Sync)

The Freedom Par Hex-4 offers wireless control of 2 or more products with a single DMX controller. To automatically set up D-Fi 2.4 GHz syncing for DMX, do the following:

For the receiving product(s):

1. Press **<MENU>** repeatedly until **S-tr** shows on the display.
2. Press **<ENTER>**.
3. Press **<UP>** or **<DOWN>** until **drAS** appears on the display.
4. Press **<ENTER>**.
5. The display should show **drAU**.

For the transmitting product:

1. Press **<MENU>** repeatedly until **S-tr** shows on the display.
2. Press **<ENTER>**.
3. Press **<UP>** or **<DOWN>** until **dtAS** appears on the display.
4. Press **<ENTER>**.
5. The display should show **dtAU**.

Receiving units must be set up before the transmitting unit. Once the steps above are done, press and hold **<AUTO>** on just the transmitter for approximately 30 seconds. The display and signal LED will flash to indicate sync is activated.

You can then back out to a general menu level and configure the transmitting product to operate it with a DMX controller.

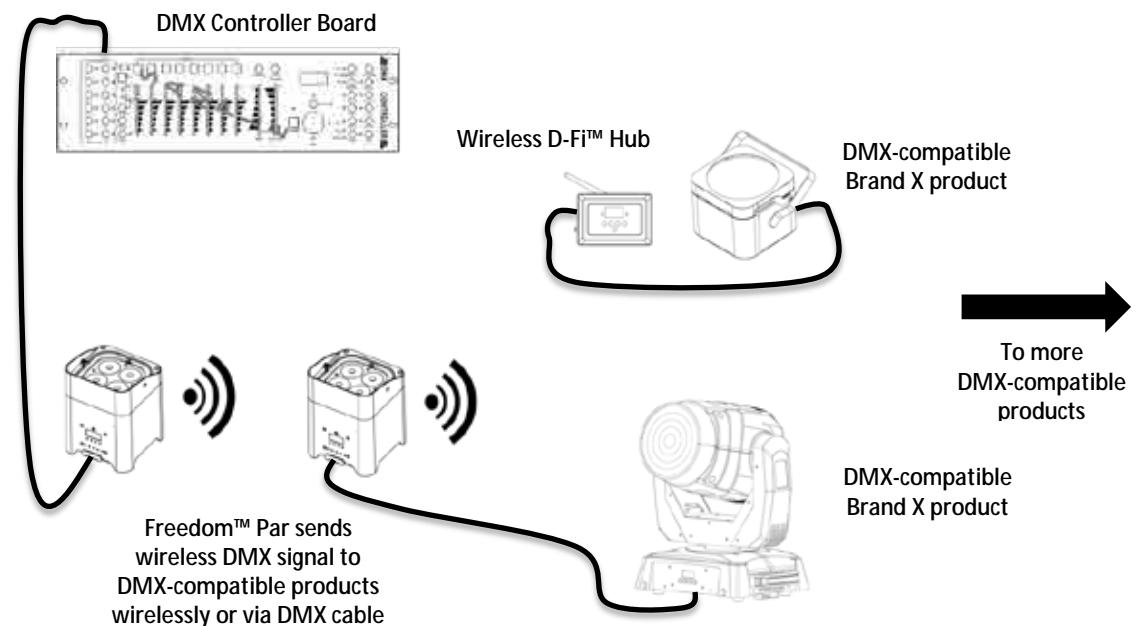
To configure your product to work with DMX, refer to the [Starting Address](#) section.

- To add additional Freedom products, turn the synced ones off and repeat the above steps with unsynced products. Once all products are synced, turn them all back on.
- Auto scan syncing must be done within a distance of about 32 ft (10 m).
- Manual syncing is recommended for best results when adding products after initial system setup.
- If you are experiencing issues or need to improve signal quality, keep the line of sight between products unobstructed.
- Ensure that all linked products are configured to the same DMX personality.



Caution: D-Fi 2.4 GHz operation can be interrupted or inhibited by liquid masses between the transmitter and receiver such as water, snow, or people. For best results, keep the line of sight clear of any liquid mass.

Linking Products



DMX Channel Assignments and Values

The following tables show which DMX channels control which functions in each of the DMX personalities. Be sure to become familiar with these values when operating the product with a DMX controller.

12CH	Channel	Function	Value	Setting
	1	Dimmer	000 ó 255	0–100%
	2	Red	000 ó 255	0–100%
	3	Green	000 ó 255	0–100%
	4	Blue	000 ó 255	0–100%
	5	Amber	000 ó 255	0–100%
	6	White	000 ó 255	0–100%
	7	UV	000 ó 255	0–100%
	8	Strobe	000 ó 010	No function
			011 ó 255	Slow to fast
	9	Manual Color	000 ó 010	No function
			011 ó 030	R: 100% G: 0–100% B: 0
			031 ó 050	R: 100%–0 G: 100% B: 0
			051 ó 070	R: 0 G: 100% B: 0–100%
			071 ó 090	R: 0 G: 100%–0 B: 100%
			091 ó 110	R: 0–100% G: 0 B: 100%
			111 ó 130	R: 100% G: 0 B: 100%–0
			131 ó 150	R: 100% G: 0–100% B: 0–100%
			151 ó 170	R: 100%–0 G: 100%–0 B: 100%
			171 ó 200	R:100% G: 100% B: 100% A: 100%
			201 ó 205	Color temperature 1
			206 ó 210	Color temperature 2
			211 ó 215	Color temperature 3
			216 ó 220	Color temperature 4
	221 ó 225	Color temperature 5		
	226 ó 230	Color temperature 6		
	231 ó 235	Color temperature 7		
	236 ó 240	Color temperature 8		
	241 ó 245	Color temperature 9		
	246 ó 250	Color temperature 10		
	251 ó 255	Color temperature 11		

12CH	Channel	Function	Value	Setting
10		Auto and Sound Programs	000 ó 010	No function
			011 ó 060	Auto program 1
			061 ó 120	Auto program 2
			121 ó 180	Auto program 3
			181 ó 240	Auto program 4
			241 ó 255	Sound-Active mode
11		Auto Speed (when Channel 10 000–240)	000 ó 255	Program speed, slow to fast
		Sound Sensitivity (when Channel 10 is 241-255)	000 ó 010	No function
12		Dimmer Mode	000 ó 051	Preset dimmer speed set in menu options
			052 ó 101	Dimmer speed mode off
			102 ó 152	Dimmer speed mode 1, (fast speed)
			153 ó 203	Dimmer speed mode 2, (medium speed)
			204 ó 255	Dimmer speed mode 3, (slow speed)

8-CH	Channel	Function	Value	Percent/Setting
	1	Dimmer	000 ó 255	0–100%
	2	Red	000 ó 255	0–100%
	3	Green	000 ó 255	0–100%
	4	Blue	000 ó 255	0–100%
	5	Amber	000 ó 255	0–100%
	6	White	000 ó 255	0–100%
	7	UV	000 ó 255	0–100%
	8	Strobe	000 ó 010	No function
			011 ó 255	Slow to fast

6-CH	Channel	Function	Value	Percent/Setting
	1	Red	000 ó 255	0–100%
	2	Green	000 ó 255	0–100%
	3	Blue	000 ó 255	0–100%
	4	Amber	000 ó 255	0–100%
	5	White	000 ó 255	0–100%
	6	UV	000 ó 255	0–100%

Configuration (Standalone)

Use standalone configuration to operate the product without a DMX controller. There are a variety of Standalone modes and they are powerful tools for making exciting looks.



Never connect a product operating in a standalone mode (Static, Sound-Active, Auto, or Infrared) to a DMX chain that includes a DMX controller. Products in a standalone mode can transmit DMX signals that interfere with the DMX signals from the controller.

Sound-Active Mode

Sound-Active mode sets the product to respond to sounds and music.

To enable the Sound-Active mode, do the following:

1. Press **<MENU>** repeatedly until **Snd** shows on the display.
2. Press **<ENTER>**.

Sound Sensitivity

To set the sound sensitivity, follow the instructions below:

5. Press **<MENU>** repeatedly until **SenS** shows on the display.
6. Use **<UP>** or **<DOWN>** to select the desired sound sensitivity (**u 0–u100**, low to high).
7. Press **<ENTER>**.



The product will respond only to low frequencies of music (bass and drums).

If the product is not responding to sound, increase the sensitivity.

Auto Programs

Auto programs set the product to 1 of 4 preset color programs.

To set the product to an auto program, do the following:

1. Press **<MENU>** repeatedly until **P--** shows on the display.
2. Press **<ENTER>** and **P 1–P 4** shows on the display.
3. Use **<UP>** or **<DOWN>** to select the desired auto program, **P 1–P 4**.
4. Press **<ENTER>**.

Program Speed

To set the auto program speed, follow the instructions below:

1. Press **<MENU>** repeatedly until **S--** shows on the display.
2. Use **<UP>** or **<DOWN>** to select the desired auto program speed (**S 1–S100**, slow to fast).
3. Press **<ENTER>**.

Selecting the Dimmer Speed Mode

To select a dimmer speed mode, do the following:

1. Press **<MENU>** repeatedly until **dim** shows on the display.
2. Press **<ENTER>** and one of the following shows on the display:
 - **OFF** (dimmer speed off)
 - **dim1** (dimmer speed mode 1, fast speed)
 - **dim2** (dimmer speed mode 2, middle speed)
 - **dim3** (dimmer speed mode 3, slow speed)
3. Use **<UP>** or **<DOWN>** to select the desired dimmer speed mode.
4. Press **<ENTER>**.

Static Colors

To select a preset static color, do the following:

1. Press **<MENU>** repeatedly until **C--** shows on the display.
2. Press **<ENTER>**.
3. Use **<UP>** or **<DOWN>** to select the desired preset color (**C 1–C 63**).
4. Press **<ENTER>**.

Custom Color Mixing

To custom mix a color, follow the instructions below:

1. Press **<MENU>** repeatedly until **U--** shows on the display.
2. Press **<ENTER>** and one of the following colors shows on the display: **rXXX** (red), **gXXX** (green), **bXXX** (blue), **AXXX** (amber), **WXXX** (white), or **PXXX** (UV).
3. Press **<ENTER>** repeatedly to select the desired color.
4. Use **<UP>** or **<DOWN>** to select the desired color value (**0–255**).
NOTE: Selecting **0** will turn the color off.
5. Press **<ENTER>** to select color value and continue to the next color.
6. Repeat steps 3 to 5 until you create your desired color.

Infrared Mode

Infrared (IR) mode allows the product to be controlled with an infrared remote controller. The IRC-6 can remotely set the product to various modes; adjust the color, speed and sensitivity; and set the strobe.

The Freedom Par Hex-4 is compatible with the included IRC-6 from Chauvet. To enable use with the IRC-6, follow the instructions below:

1. Press **<MENU>** repeatedly until **SET** shows on the display.
2. Press **<ENTER>** and **On** (turns on the infrared sensor) or **OFF** (turns off the infrared sensor) shows on the display.
3. Press **<UP>** or **<DOWN>** to select the desired option.
4. Press **<ENTER>**.

IRC-6 Operations

Be sure the IRC-6 remote is pointing directly at the product and there is nothing in between the remote and the product.



Automatic Mode

Automatic mode will enable you to run the automatic programs on the product.

To turn on Automatic mode:

1. Press **<AUTO>** on the IRC-6.
2. Press **<+>** or **<->** to choose between the four different auto programs.

To adjust the speed of the automatic program:

1. Press **<SPEED>** on the IRC-6.
2. Press **<%>**.
3. Press **<+>** or **<->** to either increase or decrease the speed of the program.

Sound-Active Mode

Sound-Active mode will enable the product to respond to the music.

To turn on Sound-Active mode:

- Press **<SOUND>** on the IRC-6.

To adjust sound sensitivity in Sound-Active mode:

1. Press **<SENSITIVITY>** on the IRC-6.
2. Press **<%>**.
3. Press **<+>** or **<->** to either increase or decrease sound sensitivity.

Manual Color Control

To choose a specific color with the IRC-6:

1. Press **<MANUAL>** on the IRC-6.
2. Press any number between **<0>** and **<9>** to choose your color.

To manually control the RGBAW+UV percentage:

1. Press **<MANUAL>** on the IRC-6.
2. Press **<R>**, **<G>**, ****, **<A>**, **<W>**, or **<UV>** (red, green, blue, amber, white, or ultraviolet) to choose your color.
3. Press **<+>** or **<->** to increase or decrease the percentage of each color.

Miscellaneous Operation

To adjust the strobe rate of the program:

1. Press **<STROBE>** on the IRC-6.
2. Press **<+>** or **<->** to increase or decrease the strobe rate.
3. Press **<STROBE>** again to turn off the strobe.

To choose a fade auto program:

- Press **<FADE>** repeatedly on the IRC-6 to choose between the two auto program fade options

To black out the lights:

- Press **<BLACK OUT>** on the IRC-6. This will turn off all the lights until the button is pressed again.

Note: The IRC-6 will not respond to any inputs when the Black Out mode is activated. If the remote does not respond when a button is pressed, try pressing **<BLACK OUT>**. You may have inadvertently activated the Black Out mode.

5. TECHNICAL INFORMATION

Product Maintenance

Dust build-up reduces light output performance and can cause overheating. This can lead to reduction of the light source's life. To maintain optimum performance and minimize wear, clean the product at least twice a month. However, usage and environmental conditions may require more frequent cleaning.

To clean the product, follow the instructions below:

1. Unplug the product from power.
2. Wait until the product is at room temperature.
3. Use a vacuum (or dry compressed air) and a soft brush to remove dust collected on the external surfaces and vents.
4. Clean all external optics and transparent surfaces with a mild soap solution, ammonia-free glass cleaner, or isopropyl alcohol.
5. Apply the solution directly to a soft, lint-free cotton cloth or a lens cleaning tissue.
6. Softly wipe any dirt or grime to the outside edges of the external optics or transparent surface.
7. Gently polish the external optics and transparent surfaces until they are free of haze and lint.



Always dry the lens surfaces carefully after cleaning them.

6. TECHNICAL SPECIFICATIONS

Dimensions and Weight	Length	Width	Height	Weight
	5.4 in (138 mm)	5.7 in (145 mm)	7.2 in (184 mm)	6.2 lb (2.9 kg)
Note: Dimensions in inches rounded to the nearest decimal digit.				
Power	Input Voltage	Range	Voltage Selection	
	Switching (internal)	100–240 VAC, 50/60 Hz	Auto-ranging	
	Parameter	120 VAC, 60 Hz	230 VAC, 50 Hz	
	Consumption	35 W	34 W	
	Operating current	0.3 A	0.2 A	
	Power linking current (units)	8 A (26 units)	8 A (50 units)	
	Fuse	T 2 A, 250 V	T 2 A, 250 V	
	Power I/O	US/Canada	UK/Worldwide	
	Power input connector	IEC	IEC	
	Power output connector	Edison	IEC	
Power cord plug	Edison (US)	Local plug		
LED	Type	Power	Lifespan	
	LED	10 W	50,000 hours	
	Color	Quantity	Current	
	Hex-color RGBAW+UV	4	2 A	
Photometrics	Parameter			
	Field angle	34°		
	Beam angle	23°		
	Strobe rate	0 to 25 Hz		
	Illuminance @ 2 m	1,372 lux		
Thermal	Maximum External Temp.	Cooling System		
	104 °F (40 °C)	Convection		
DMX	I/O Connectors	Connector Type	Channel Range	
	3-pin XLR	Sockets	6, 8 or 12	
Ordering	Product Name	Item Code	UPC Number	
	Freedom Par Hex-4	03030875	781462212230	



RETURNS

In case you need to get support or return a product:

- If you are located in the U.S., contact Chauvet World Headquarters.
- If you are located in the UK or Ireland, contact Chauvet Europe Ltd.
- If you are located in Mexico, contact Chauvet Mexico.
- If you are located in Benelux, contact Chauvet Europe BVBA.
- If you are located in any other country, DO NOT contact Chauvet. Instead, contact your local distributor. See www.chauvetlighting.com for distributors outside the U.S., UK, Ireland, Mexico, or Benelux.



If you are located outside the U.S., UK, Ireland, Mexico, or Benelux, contact your distributor of record and follow their instructions on how to return Chauvet products to them. Visit our website www.chauvetlighting.com for contact details.

Call the corresponding Chauvet Technical Support office and request a Return Merchandise Authorization (RMA) number before shipping the product. Be prepared to provide the model number, serial number, and a brief description of the cause for the return.

Send the merchandise prepaid, in its original box, and with its original packing and accessories. Chauvet will not issue call tags.

Clearly label the package with the RMA number. Chauvet will refuse any product returned without an RMA number.



Write the RMA number on a properly affixed label. DO NOT write the RMA number directly on the box.

Before sending the product, clearly write the following information on a piece of paper and place it inside the box:

- Your name
- Your address
- Your phone number
- RMA number
- A brief description of the problem

Be sure to pack the product properly. Any shipping damage resulting from inadequate packaging will be your responsibility. FedEx packing or double-boxing are recommended.



Chauvet reserves the right to use its own discretion to repair or replace returned product(s).

CONTACT Us

USA WORLD HEADQUARTERS

General Information – Chauvet

Address: 5200 NW 108th Avenue
Sunrise, FL 33351
Voice: (954) 577-4455
Fax: (954) 929-5560
Toll free: (800) 762-1084

Technical Support

Voice: (954) 577-4455 (Press 4)
Fax: (954) 756-8015
Email: tech@chauvetlighting.com

World Wide Web

www.chauvetlighting.com

EUROPE

General Information - Chauvet Europe BVBA

Address: Stokstraat 18
9770 Kruishoutem
Belgium
Voice: +32 9 388 93 97

Technical Support

Email: Eutech@chauvetlighting.eu

World Wide Web www.chauvetlighting.eu

General Information - Chauvet Europe Ltd.

Address: Unit 1C
Brookhill Road Industrial Estate
Pinxton, Nottingham, UK
NG16 6NT
Voice: +44 (0)1773 511115
Fax: +44 (0)1773 511110

Technical Support

Email: uktech@chauvetlighting.com

World Wide Web

www.chauvetlighting.co.uk

MEXICO

General Information - Chauvet Mexico

Address: Av. Santa Ana 30
Parque Industrial Lerma
Lerma, Mexico C.P. 52000
Voice: +52 (728) 285-5000

Technical Support

Email: servicio@chauvet.com.mx

World Wide Web www.chauvet.com.mx

Outside the U.S., United Kingdom, Ireland, Mexico, or Benelux contact the dealer of record. Follow their instructions to request support or to return a product. Visit our website for contact details.