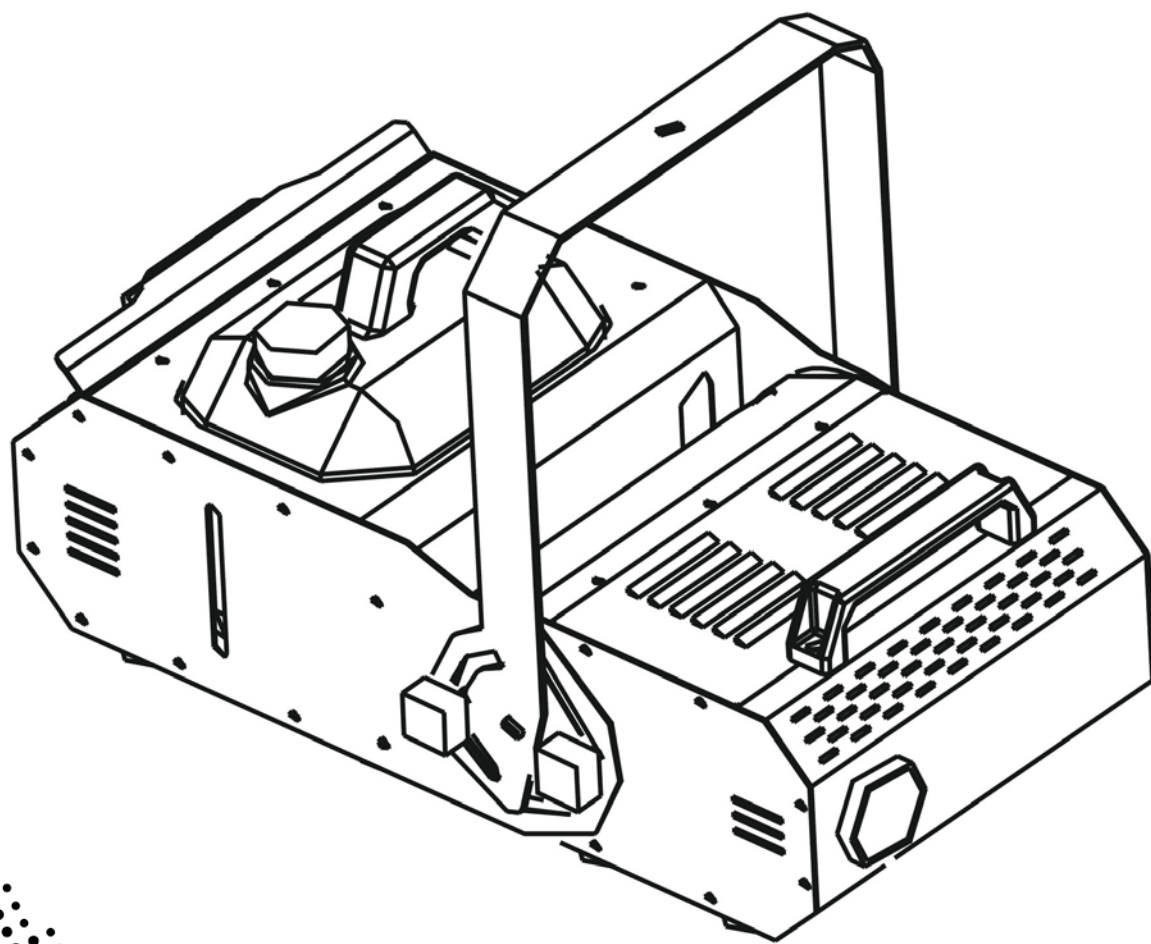


HURRICANE™

1800 FLEX

User Manual



CHAUVET®

TABLE OF CONTENTS

1. Before You Begin	3
What Is Included.....	3
Unpacking Instructions	3
Claims	3
Text Conventions	3
Symbols.....	3
Disclaimer.....	3
Product at a Glance.....	4
Safety Notes.....	4
2. Introduction	5
Overview.....	5
Dimensions.....	6
3. Setup	7
AC Power	7
Resetting the Breaker.....	7
Mounting.....	8
Orientation.....	8
Rigging	8
4. Operation	9
Remote or Manual Operation	9
Timer Remote Controller (FC-T).....	9
Fluid Tank Indicator LED.....	9
Auto Cut-Off Feature	10
DMX Operation.....	10
Setting the Starting Address.....	10
DMX Channel Values	10
DMX Quick Reference Chart.....	11
5. Technical Information	12
Fogger Maintenance	12
Storage.....	12
6. General Troubleshooting	13
7. Technical Specifications	14
Returns	15
Contact Us	16

1. BEFORE YOU BEGIN

What Is Included

- Hurricane™ 1800 Flex
- FC-T Wired Timer Controller
- Hanging Bracket with Mounting Hardware
- Power Cord
- Warranty Card
- Quick Reference Guide

Unpacking Instructions

Carefully unpack the product immediately and check the container to make sure all the parts are in the package and are in good condition.

Claims




If the box or the contents (the product and included accessories) appear damaged from shipping, or show signs of mishandling, notify the carrier immediately, not Chauvet. Failure to report damage to the carrier immediately may invalidate your claim. In addition, keep the box and contents for inspection.

For other issues, such as missing components or parts, damage not related to shipping, or concealed damage, file a claim with Chauvet within 7 days of delivery.

Text Conventions

Convention	Meaning
1—512	A range of values
50/60	A set of values
Settings	A menu option
Menu > Settings	A sequence of menu options
<Enter>	A button

Symbols

Symbol	Meaning
	Critical installation, configuration, or operation information. Not following these instructions may make the product not work, cause damage to the product, or cause harm to the operator.
	Important installation or configuration information. The product may not function correctly if this information is not used.
	Useful information.

Disclaimer

The information and specifications contained in this User Manual are subject to change without notice. Chauvet assumes no responsibility or liability for any errors or omissions, and reserves the right to revise or recreate this manual at any time. Download the latest version from www.chauvetlighting.com.

© Copyright 2015 Chauvet. All rights reserved.

Electronically published by Chauvet in the United States of America.

Author	Date	Editor	Date
R. Isenstadt	4/15/2015	D. Coupe	5/12/2015

Product at a Glance

Use on Dimmer	X	Auto Programs	X
Outdoor Use	X	Fixed voltage (120 V or 230 V)	P
Sound-Activated	X	Replaceable Fuse	X
DMX	P	User-Serviceable	X
Master/Slave	X	Duty Cycle	X

Safety Notes

These notes include important information about the mounting, usage, and maintenance of this product; read before using the product.



- Always connect the product to a grounded circuit to avoid the risk of electrocution.
- Always disconnect the product from the power source before cleaning or resetting the breaker.
- Make sure the power cord is not crimped or damaged.
- Never disconnect the product from power by pulling or tugging on the cord.
- If mounting the product overhead, always secure to a fastening device using a safety cable.
- Make sure there are no flammable materials close to the product when operating.
- Do not touch the product's housing when operating because it may be very hot.
- Do not mount the product on a flammable surface (linoleum, carpet, wood, paper, carton, plastic, etc.).
- The product's nozzle is very hot during operation and it remains hot for a long time after operation has stopped.
- The fog exits the nozzle at a very high temperature. Keep a minimum distance of 6.5 ft (2 m) from the nozzle to the nearest object.
- Do not use the product as a space heater.
- Do not drink or come in contact with the fog fluid. If you do, call your local emergency service (911 in the US) for help.
- Do not add perfume, alcohol, gasoline, or any other flammables to the fog fluid.



- Always make sure that the voltage of the outlet to which you are connecting the product is within the range stated on the decal or rear panel of the product.
- The product is for indoor use only! (IP20) To prevent risk of fire or shock, do not expose the product to rain or moisture.
- Always install the product in a location with adequate ventilation, at least 20 in (50 cm) from adjacent surfaces.
- Be sure that no ventilation slots on the product's housing are blocked.
- Never connect the product to a dimmer.
- Never carry the product from the power cord or any moving part. Always use the hanging/mounting bracket.
- The maximum ambient temperature (Ta) is 104 °F (40 °C). Do not operate the product at higher temperatures.
- In the event of a serious operating problem, stop using the product immediately.
- Never try to repair the product. Repairs carried out by unskilled people can lead to damage or malfunction. Contact the nearest authorized technical assistance center.
- This product is not intended for permanent installation.
- Use only CHAUVET® water-based fog fluid.
- Drain the tank before transporting or storing the product.
- To eliminate unnecessary wear and improve its lifespan, during periods of non-use completely disconnect the product from power via breaker or by unplugging it.



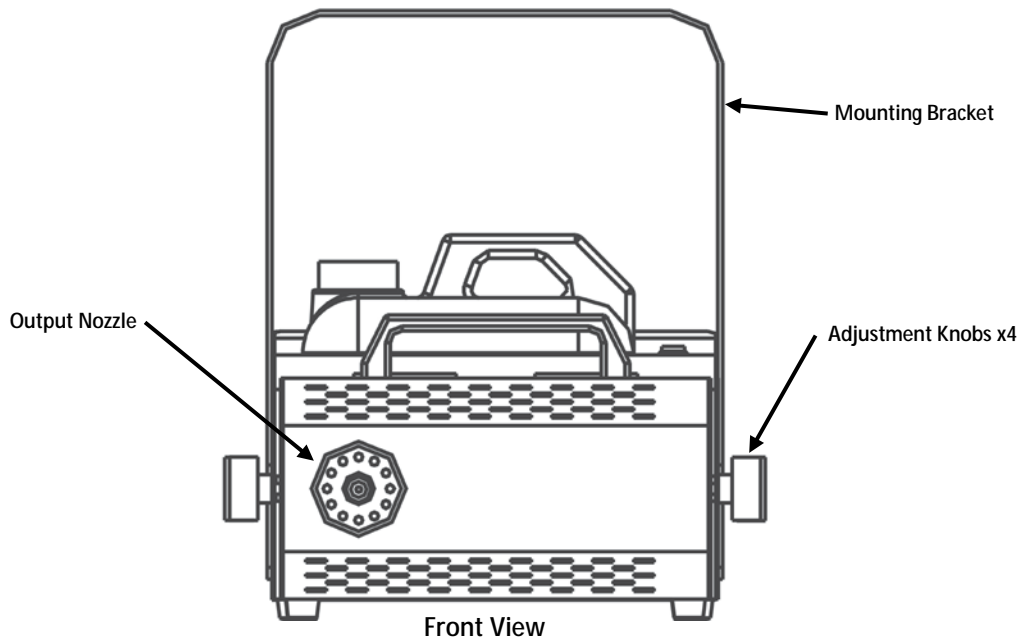
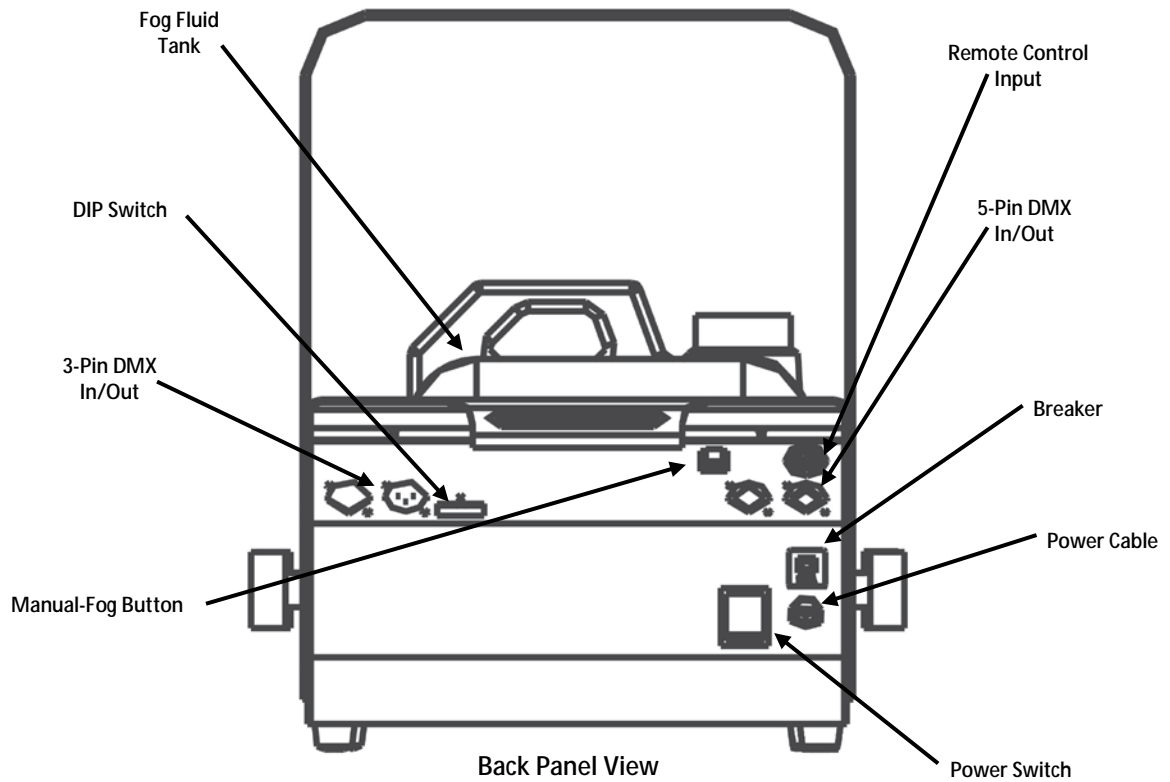
Keep this User Manual for future use. If you sell the product to another user, be sure to give this document to the next owner.



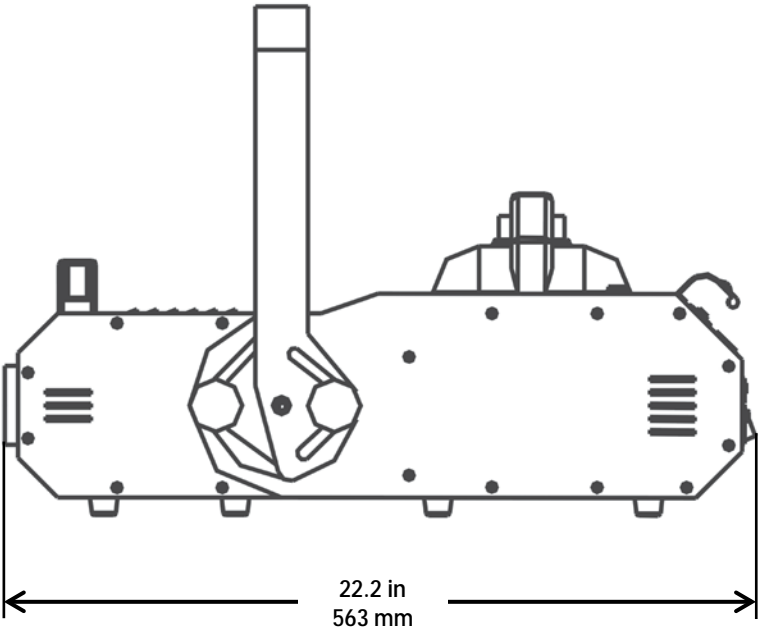
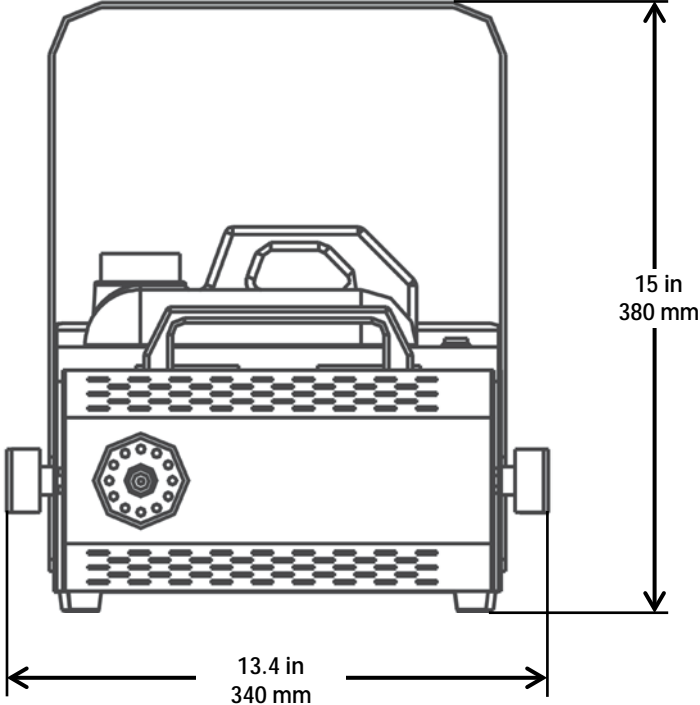
FCQ (Fog Cleaner Quart) was specifically developed by Chauvet to clean your Hurricane™ 1800 Flex. Make sure you use FCQ regularly, no longer than 90 days between cleanings, to increase the life of your fogger.

2. INTRODUCTION

Overview



Dimensions



3. SETUP

AC Power This Hurricane™ 1800 Flex has a fixed voltage power supply and it can work with an input voltage of either 120 VAC, 60 Hz or 230 VAC, 50 Hz, depending on the specific model.

To determine the product's power requirements (circuit breaker, power outlet, and wiring), use the current value listed on the label affixed to the product's back panel, or refer to the product's specifications chart. The listed current rating indicates the product's average current draw under normal conditions.



- **Always connect the product to a protected circuit (circuit breaker or fuse). Make sure the product has an appropriate electrical ground to avoid the risk of electrocution or fire.**
- **To eliminate unnecessary wear and improve its lifespan, during periods of non-use completely disconnect the product from power via breaker or by unplugging it.**



Never connect the product to a rheostat (variable resistor) or dimmer circuit, even if the rheostat or dimmer channel serves only as a 0 to 100% switch.

Resetting the Breaker

1. Disconnect the product from power.
2. Allow to cool for 5-15 minutes.
3. Using your hand, press on the button for the breaker, until it remains in place.



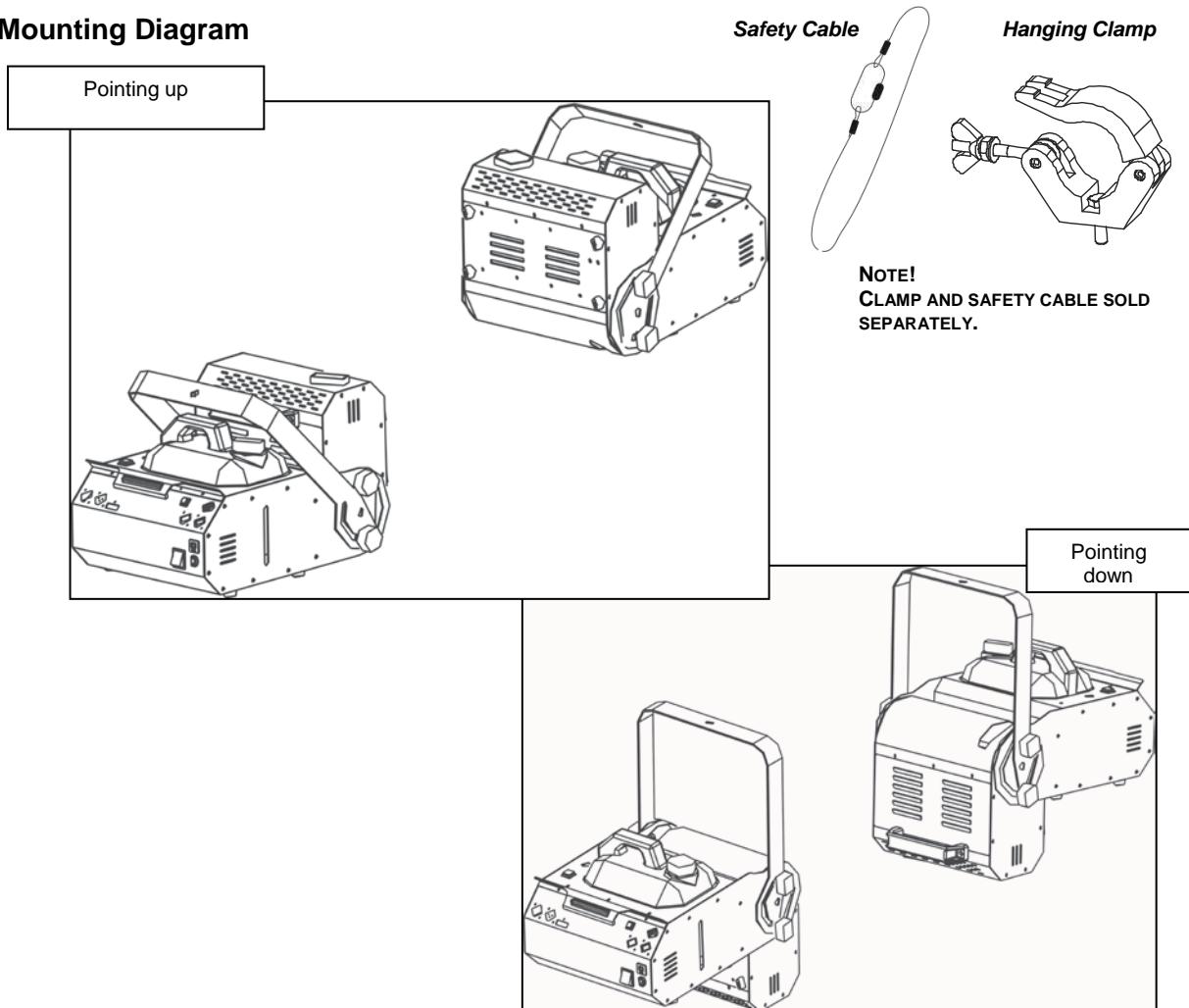
- **Disconnect the product from power before resetting the breaker.**
- **The breaker will not reset until it has been allowed to cool.**

Mounting Before mounting the product, read and follow the safety recommendations indicated in the [Safety Notes](#).

Orientation This product may be mounted in a 90° degree angle (horizontal), provided there is adequate room for ventilation. The tank of the product should not move from this position. However, the front portion of the fog machine can tilt up and down in the desired direction. This is secured by using the bracket adjustment knobs.

- Rigging**
- Before deciding on a location, always make sure there is easy access to the product for maintenance and fluid replenishment.
 - Make sure that the structure or surface onto which you are mounting the product can support the product's weight (see the [Technical Specifications](#)).
 - When mounting the product overhead, always use a safety cable. Mount the product securely to a rigging point, such as an elevated platform or a truss.
 - When rigging the product onto a truss, you should use a mounting clamp of appropriate weight capacity. The bracket has 13-mm holes, which are appropriate for this purpose.
 - The rubber feet also serve as floor supports and allow for surface mounting. When mounting the product on the floor, make sure that the product and cables are away from people and vehicles.

Mounting Diagram



While operating the Hurricane™ 1800 Flex, make sure there is adequate fog fluid in the machine to prevent pump and heater damage. When fluid runs low, the auto cut-off feature will activate. Simply add more fog fluid to continue using the Hurricane™ 1800 Flex.

4. OPERATION

Remote or Manual Operation

The Hurricane™ 1800 Flex can be operated manually, or with the included timer remote controller (FC-T). The Manual button is located on the rear of the unit. See the product [Overview](#).

Two other optional remote controls are also available: a manual wired remote (FC-M) and a wireless remote (FC-W). Details on the optional controllers are available at <http://www.chauvetlighting.com/>.

Timer Remote Controller (FC-T)

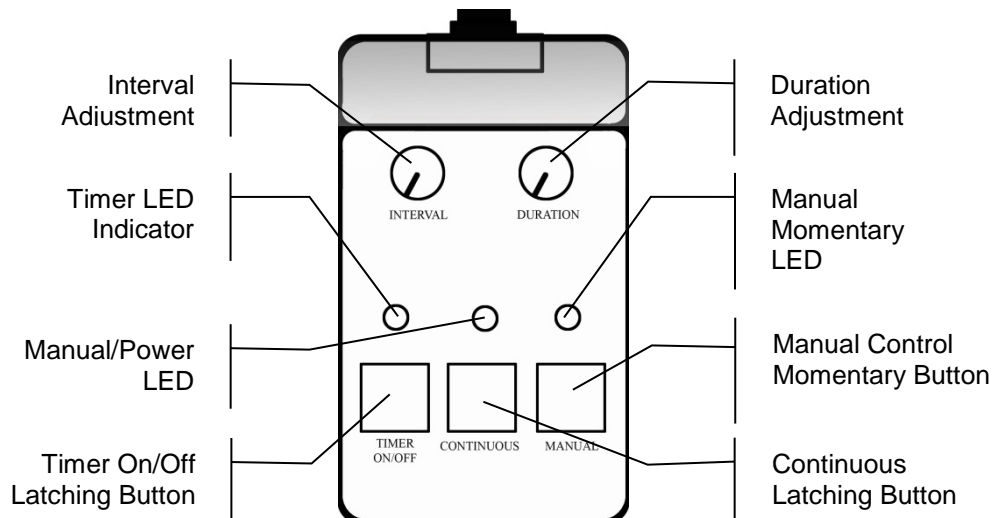
The FC-T wired timer controller allows you to automatically trigger fog output by setting interval and duration times. LED indicator lights display the machine and controller's current state. Rotary knobs set interval and duration times, while manual and continuous buttons allow overriding control.

1. Plug in the fog machine to power and turn the power switch to the product on.
2. Plug in the timer controller to the Manual Controller socket on the back of the fog machine.
3. Press the **<TIMER ON/OFF>** latching button on the timer controller. The Timer LED Indicator above the button will light up. The **<TIMER ON/OFF>** latching button will remain on until it is pressed again.
4. Set the INTERVAL and DURATION adjustment knobs to the desired positions.
 - INTERVAL knob sets the amount of time in between bursts of fog
 - DURATION knob sets the length of time that the fog machine will run during the burst
5. Press the **<CONTINUOUS>** latching button and the fog machine outputs fog until the button is pressed again. The Manual/Power LED Indicator above the button will light up during continuous operation.

Note: The duration of continuous fog output is based on the capability of the fog machine.

6. Press the **<MANUAL>** button to momentarily output fog. The fog machine will output fog for as long as you hold down the button. During manual operation the Manual Momentary LED Indicator above the button will light up.

Note: The duration of manual fog output is based on the capability of the fog machine.



Fluid Tank Indicator LED

The indicator LED inside of the Hurricane™ 1800 Flex shows the status of the fogger by causing the fluid tank to glow as follows:

- Red - The product is heating up, or will heat up once the trigger is released.
- Blue - Optimum temperature has been reached. Ready to produce fog.
- Flashing (any color) - Fluid level is low.

Auto Cut-Off Feature

This product has an auto cut-off safety feature to keep the machine from becoming damaged. This is referring to the operation of the pump. When the fluid tank is empty, the pump will still operate for a short period of time, until all of the fluid has been removed from the system. Then, it will sense that there is no fluid, and will automatically stop the fog output. An indication that this has occurred is when the LED's that are lighting the fluid tank are flashing.

- This feature takes approximately 30 seconds to 1 minute to engage once the fluid has emptied from the tank.
- In order for the fog machine to automatically reset, the trigger must be released either from the wired remote, wireless remote, the manual fog button on the unit, or via a DMX controller. If the DMX controller is used, the DMX channel must be brought to a value of 000 (0%) in order to allow the fog machine to reset itself.
- Once the tank has been refilled with fog fluid, you may resume using the fog machine. The auto cut-off will automatically reset.



DMX Operation

Connecting a DMX controller to the Hurricane™ 1800 Flex automatically sets the product to DMX mode. There are both 3-pin and 5-pin inputs and outputs on the rear panel. For more information on DMX, download the [DMX Primer](#) from Chauvet.

Setting the Starting Address

The starting address on the Hurricane™ 1800 Flex is set by using the DIP switch on the rear panel, with a binary version of the address desired. If unfamiliar with binary numbering systems, see the [DMX Quick Reference Chart](#), or follow the instructions below to determine how to set the address:

1. Determine the largest value switch that is less than the start address. Turn this switch on.
2. Subtract the value of the switch you just turned on from the starting address number.
3. Determine the largest value switch that is less than the remainder from the previous subtraction. Turn this switch on.
4. Subtract the value of the switch you just turned on from the remainder of the previous subtraction.
5. Repeat steps three and four until you have a remainder of zero.

EXAMPLE STARTING ADDRESS

Address 10	→ 2 4 8 16 32 64 128 256																				
Switch # 4 = 8	1 2 3 4 5 6 7 8 9																				
Switch # 2 = 2																					
Total = 10																					
Resolving address using simple math.	<p>233 - (128) = 105, Turn ON Dip # 8</p> <p>105 - (64) = 41, Turn ON Dip # 7</p> <p>41 - (32) = 9, Turn ON Dip # 6</p> <p>9 - (8) = 1, Turn ON Dip # 4</p> <p>1 - (1) = 0, Turn ON Dip # 1</p>																				
Address 233	<table border="1"> <thead> <tr> <th>DIP SWITCH</th> <th>(DMX VALUE)</th> </tr> </thead> <tbody> <tr><td>1</td><td>1</td></tr> <tr><td>2</td><td>2</td></tr> <tr><td>3</td><td>4</td></tr> <tr><td>4</td><td>8</td></tr> <tr><td>5</td><td>16</td></tr> <tr><td>6</td><td>32</td></tr> <tr><td>7</td><td>64</td></tr> <tr><td>8</td><td>128</td></tr> <tr><td>9</td><td>256</td></tr> </tbody> </table>	DIP SWITCH	(DMX VALUE)	1	1	2	2	3	4	4	8	5	16	6	32	7	64	8	128	9	256
DIP SWITCH	(DMX VALUE)																				
1	1																				
2	2																				
3	4																				
4	8																				
5	16																				
6	32																				
7	64																				
8	128																				
9	256																				

DMX Channel Values

Channel	Function	Value	Percent/Setting
1	Fog Output	000 ∘ 005	No function
		006 ∘ 255	Fog output On/Off

DMX Quick Reference Chart

DMX Address Quick Reference Chart																				
DIP Switch Position																				
DMX DIP SWITCH SET 0=OFF 1=ON X=OFF or ON	#9	0	0	0	0	0	0	0	0	1	1	1	1	1	1	1	1			
	#8	0	0	0	0	1	1	1	1	0	0	0	0	1	1	1	1			
	#7	0	0	1	1	0	0	1	1	0	0	1	1	0	0	1	1			
	#6	0	1	0	1	0	1	0	1	0	1	0	1	0	1	0	1			
#1	#2	#3	#4	#5																
0	0	0	0	0		32	64	96	128	160	192	224	256	288	320	352	384	416	448	480
1	0	0	0	0	1	33	65	97	129	161	193	225	257	289	321	353	385	417	449	481
0	1	0	0	0	2	34	66	98	130	162	194	226	258	290	322	354	386	418	450	482
1	1	0	0	0	3	35	67	99	131	163	195	227	259	291	323	355	387	419	451	483
0	0	1	0	0	4	36	68	100	132	164	196	228	260	292	324	356	388	420	452	484
1	0	1	0	0	5	37	69	101	133	165	197	229	261	293	325	357	389	421	453	485
0	1	1	0	0	6	38	70	102	134	166	198	230	262	294	326	358	390	422	454	486
1	1	1	0	0	7	39	71	103	135	167	199	231	263	295	327	359	391	423	455	487
0	0	0	1	0	8	40	72	104	136	168	200	232	264	296	328	360	392	424	456	488
1	0	0	1	0	9	41	73	105	137	169	201	233	265	297	329	361	393	425	457	489
0	1	0	1	0	10	42	74	106	138	170	202	234	266	298	330	362	394	426	458	490
1	1	0	1	0	11	43	75	107	139	171	203	235	267	299	331	363	395	427	459	491
0	0	1	1	0	12	44	76	108	140	172	204	236	268	300	332	364	396	428	460	492
1	0	1	1	0	13	45	77	109	141	173	205	237	269	301	333	365	397	429	461	493
0	1	1	1	0	14	46	78	110	142	174	206	238	270	302	334	366	398	430	462	494
1	1	1	1	0	15	47	79	111	143	175	207	239	271	303	335	367	399	431	463	495
0	0	0	0	1	16	48	80	112	144	176	208	240	272	304	336	368	400	432	464	496
1	0	0	0	1	17	49	81	113	145	177	209	241	273	305	337	369	401	433	465	497
0	1	0	0	1	18	50	82	114	146	178	210	242	274	306	338	370	402	434	466	498
1	1	0	0	1	19	51	83	115	147	179	211	243	275	307	339	371	403	435	467	499
0	0	1	0	1	20	52	84	116	148	180	212	244	276	308	340	372	404	436	468	500
1	0	1	0	1	21	53	85	117	149	181	213	245	277	309	341	373	405	437	469	501
0	1	1	0	1	22	54	86	118	150	182	214	246	278	310	342	374	406	438	470	502
1	1	1	0	1	23	55	87	119	151	183	215	247	279	311	343	375	407	439	471	503
0	0	0	1	1	24	56	88	120	152	184	216	248	280	312	344	376	408	440	472	504
1	0	0	1	1	25	57	89	121	153	185	217	249	281	313	345	377	409	441	473	505
0	1	0	1	1	26	58	90	122	154	186	218	250	282	314	346	378	410	442	474	506
1	1	0	1	1	27	59	91	123	155	187	219	251	283	315	347	379	411	443	475	507
0	0	1	1	1	28	60	92	124	156	188	220	252	284	316	348	380	412	444	476	508
1	0	1	1	1	29	61	93	125	157	189	221	253	285	317	349	381	413	445	477	509
0	1	1	1	1	30	62	94	126	158	190	222	254	286	318	350	382	414	446	478	510
1	1	1	1	1	31	63	95	127	159	191	223	255	287	319	351	383	415	447	479	511

DIP Switch Position

DMX Address

5. TECHNICAL INFORMATION

Fogger Maintenance

Do not allow the fogger to become clogged. After every 40 hours of continuous operation, use CHAUVET® Fog Cleaner Quart (FCQ) through the system to prevent the accumulation of particulate matter in the heating element.

The recommended cleaning procedure is as follows.

1. Unplug the product from power.
2. Empty all fog fluid from the machine.
3. Add cleaning solution to the tank.
4. Connect the product to power and allow it to warm up.
5. Run the unit in a well-ventilated area until the tank is almost empty. **Do not allow the pump to run dry.**
6. Refill with fogger fluid to continue using the fogger. Run the machine briefly to clear any remaining cleaning solution from the pump and heater.



Do Not operate the machine without fluid at any time.



Fog Cleaner Quart (FCQ) was specifically developed by Chauvet to clean your Hurricane™ 1800 Flex. Make sure you use FCQ regularly, no longer than 90 days between cleanings, to increase the life of your product.

Storage

Before storing the fogger, run FCQ through the system as described in the cleaning procedure above; however, only follow steps 1 through 5. **Do not refill the tank with fog fluid if storing the fogger.** Cleaning the system prior to storage will help prevent any particles from condensing inside the pump or heater while not in use.



Test-run your Hurricane™ 1800 Flex on a monthly basis to achieve the best performance.

6. GENERAL TROUBLESHOOTING

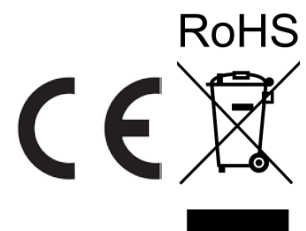
Symptom	Indicator Status	Possible Cause	Possible Action
No output or short output	Red	Heater warming up	Allow the product to warm up completely. This should take less than 10 minutes.
	Red flashing	Air bubble in fluid line	Allow the product to warm up completely.
			Turn fog machine 45° to flatten out the bubble and allow the fog fluid to flow properly
			Turn off the product for 5 seconds, and then turn it back on. Repeat as necessary. Note: After more than 10 attempts, contact Customer Service.
	Blue	Incorrect fluid	Clean thoroughly with CHAUVET® FCQ. For full instructions, see Fogger Maintenance . Refill with CHAUVET® water-based haze fluid.
		Blocked pipes	Contact Customer Service
Failing part		Contact Customer Service	
Spitting fluid	Blue blinking	Incorrect fluid	Clean thoroughly with CHAUVET® FCQ. For full instructions, see Fogger Maintenance . Refill with CHAUVET® water-based haze fluid.
		Blocked pipes	Contact Customer Service
		Failing part	Contact Customer Service
	Blue	Incorrect fluid	Clean thoroughly with CHAUVET® FCQ. For full instructions, see Fogger Maintenance . Refill with CHAUVET® water-based haze fluid.
		Blocked pipes	Contact Customer Service
		Failing part	Contact Customer Service
Normal	Blue	Normal	Normal function
Circuit breaker or fuse keeps blowing	N/A	Excessive load on the circuit	Make sure that the total load does not exceed the recommended capacity of the breaker or fuse's nominal current
Product does not power up		Short circuit along the power lines	Check the power lines and power cords
		No energy on power outlet	Check power outlet. Change to another outlet
		Loose or damaged power cord	Check the power cord
		Internal problem	Send product for repair
Product does not respond to DMX	Blue	Wrong starting address on the product	Set the correct starting address on the product
		Wrong polarity setting on the DMX controller	Change the signal polarity on the controller
		Loose or damaged DMX cable	Check the DMX cable entering the faulty unit
		Internal problem	Send product for repair
Intermittent DMX Problems		Signal cables are not DMX compatible	Replace non-DMX cables with true DMX cables
		Interference with AC or radio signals	Keep DMX cables away from AC wires or radio equipment
		DMX cable too long	Use a shorter DMX cable or install an optically coupled DMX amplifier right before the product with intermittent problems
		Terminator not connected	Install a terminator
False Sensor Reading (Priming)	LED Flashing	Air bubbles in fluid line	Fill the tank. Allow the unit to reach the normal operating temperature and for the blue indicator to light. Set the output to the highest level. Power cycle the unit 1-2 times until the fluid reaches the sensor. The blue tank indicator light stops flashing.
			Fill the tank. While the unit is operating, pinch the fluid line between your thumb and forefinger, and hold for 3 to 5 seconds creating a vacuum in the system. Release the pinched portion and allow the fluid to flow naturally.
			Fill the tank. While the unit is operating; remove but do not disconnect the fluid tank and tilt the machine at a 45° angle.
		Empty fluid tank	Refill tank with the correct CHAUVET® water-based haze fluid



If you still experience problems after trying the solutions presented here, contact Chauvet Technical Support.

7. TECHNICAL SPECIFICATIONS

Dimensions and Weight	Length	Width	Height	Weight
	22.2 in (563 mm)	13.4 in (340 mm)	15 in (380 mm)	27.6 lb (12.5 kg)
Note: Dimensions in inches rounded to the nearest decimal digit.				
Power	Power Supply Type	Range		Voltage Selection
	Model-specific	120 VAC, 60 Hz or 230 VAC, 50 Hz		Fixed
	Parameter	120 V, 60 Hz		230 V, 50 Hz
	Consumption	1,364 W		1,300 W
	Operating current	11.9 A		5.7 A
	Breaker size	15 A		15
Power I/O	Power I/O	US/Worldwide		UK/Europe
	Power input connector	Hard-wired		Hard-wired
	Power Cord plug	Edison (US)		Local plug
Operation	Heat-up Time	Tank Capacity	Fluid Consumption	
	5 min	1.3 gal (5 l)	150 ml/min	
Fog Output	Output			
	25,000 cfm			
Thermal	Maximum External Temp.	Cooling System		
	104 °F (40 °C)	Convection		
Ordering	Product Name	Item Code	Item Number	
	Hurricane™ 1800 Flex (120 V)	05070160	781462202965	
	Hurricane™ 1800 Flex (230 V)	05070320	781462206727	



RETURNS

In case you need to get support or return a product:

- If you are located in the U.S., contact Chauvet World Headquarters.
- If you are located in the UK or Ireland, contact Chauvet Europe Ltd.
- If you are located in Mexico, contact Chauvet Mexico.
- If you are located in Benelux, contact Chauvet Europe BVBA.
- If you are located in any other country, DO NOT contact Chauvet. Instead, contact your local distributor. See www.chauvetlighting.com for distributors outside the U.S., UK, Ireland, Mexico, or Benelux.



If you are located outside the U.S., UK, Ireland, Mexico, or Benelux, contact your distributor of record and follow their instructions on how to return Chauvet products to them. Visit our website www.chauvetlighting.com for contact details.

Call the corresponding Chauvet Technical Support office and request a Return Merchandise Authorization (RMA) number before shipping the product. Be prepared to provide the model number, serial number, and a brief description of the cause for the return.

Send the merchandise prepaid, in its original box, and with its original packing and accessories. Chauvet will not issue call tags.

Clearly label the package with the RMA number. Chauvet will refuse any product returned without an RMA number.



Write the RMA number on a properly affixed label. DO NOT write the RMA number directly on the box.

Before sending the product, clearly write the following information on a piece of paper and place it inside the box:

- Your name
- Your address
- Your phone number
- RMA number
- A brief description of the problem

Be sure to pack the product properly. Any shipping damage resulting from inadequate packaging will be your responsibility. FedEx packing or double-boxing are recommended.



Chauvet reserves the right to use its own discretion to repair or replace returned product(s).

CONTACT US

WORLD HEADQUARTERS - Chauvet

General Information

Address: 5200 NW 108th Avenue
Sunrise, FL 33351
Voice: (954) 577-4455
Fax: (954) 929-5560
Toll free: (800) 762-1084

Technical Support

Voice: (954) 577-4455 (Press 4)
Fax: (954) 756-8015
Email: tech@chauvetlighting.com

World Wide Web

www.chauvetlighting.com

UNITED KINGDOM AND IRELAND - Chauvet Europe Ltd.

General Information

Address: Unit 1C
Brookhill Road Industrial Estate
Pinxton, Nottingham, UK
NG16 6NT
Voice: +44 (0)1773 511115
Fax: +44 (0)1773 511110

Technical Support

Email: uktech@chauvetlighting.com

World Wide Web

www.chauvetlighting.co.uk

MEXICO - Chauvet Mexico

General Information

Address: Av. Santa Ana 30
Parque Industrial Lerma
Lerma, Mexico C.P. 52000
Voice: +52 (728) 285-5000

Technical Support

Email: servicio@chauvet.com.mx

World Wide Web www.chauvet.com.mx

CHAUVET EUROPE - Chauvet Europe BVBA

General Information

Address: Stokstraat 18
9770 Kruishoutem
Belgium
Voice: +32 9 388 93 97

Technical Support

Email: Eutech@chauvetlighting.eu

World Wide Web www.chauvetlighting.eu

Outside the U.S., United Kingdom, Ireland, Mexico, or Benelux contact your dealer. Follow their instructions to request support or to return a product. Visit our website for contact details.