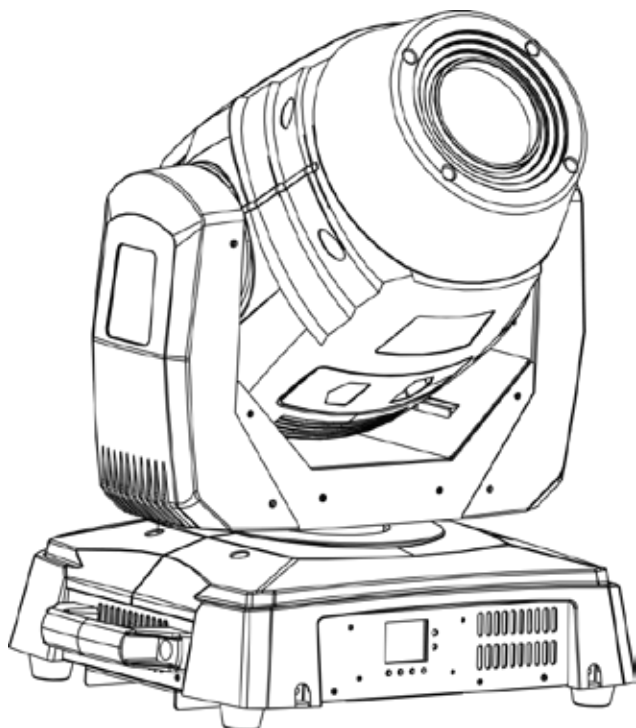


# INTIMIDATOR

## SPOT 455Z IRC

### Quick Reference Guide



**CHAUVET**

## About This Guide

The Intimidator Spot 455Z IRC Quick Reference Guide (QRG) has basic product information such as mounting, menu options, and DMX values. Download the User Manual from [www.chauvetlighting.com](http://www.chauvetlighting.com) for more details.

## Disclaimer

The information and specifications contained in this QRG are subject to change without notice.

## Safety Notes

These Safety Notes include important information about installation, use, and maintenance.



- ONLY connect this product to a grounded and protected circuit.
- Always disconnect from power before cleaning or replacing the fuse.
- DO NOT look at the light source when the product is on.
- Make sure the power cord is not crimped or damaged.
- Never disconnect this product from power by pulling on the cord.
- When mounting this product overhead, use a safety cable.
- DO NOT allow flammable materials close to the unit while operating.
- DO NOT touch this product when it is operating because it may be hot.



- The voltage of the outlet to which you are connecting this product must be within the range stated on the decal or rear panel of the product.
- This product is for indoor use only! (IP20) To prevent risk of fire or shock, do not expose this product to rain or moisture.
- Always mount this product in a location with adequate ventilation, at least 20 in (50 cm) from adjacent surfaces.
- Be sure that no ventilation slots on the unit's housing are blocked.
- Never connect this product to a dimmer or rheostat.
- Replace the fuse with another of the same type and rating.
- ONLY use the hanging/mounting bracket to carry this product.
- The maximum ambient temperature is 104 °F (40 °C). Do not operate this product at higher temperatures.
- In the event of a serious operating problem, stop using immediately.
- DO NOT open this product. It contains no user-serviceable parts.
- To eliminate unnecessary wear and improve its lifespan, during periods of non-use completely disconnect the product from power via the breaker or by unplugging it.

## Contact

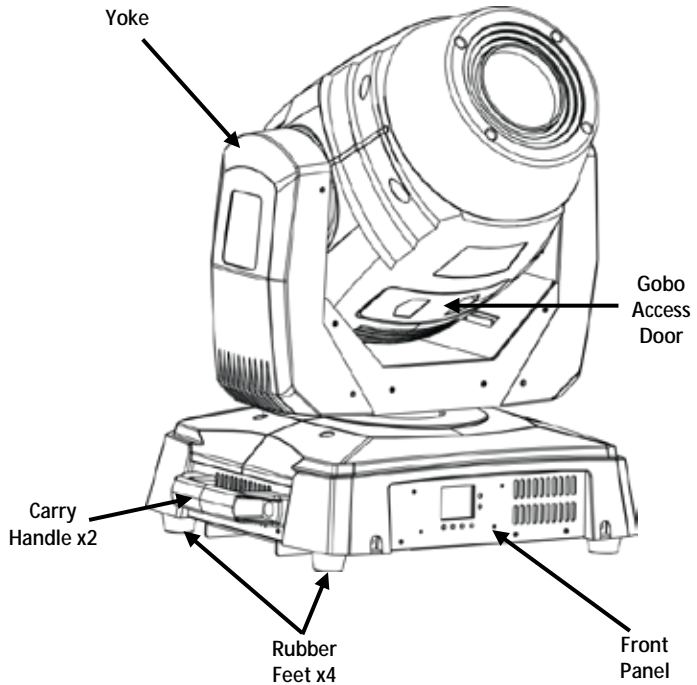
Outside the U.S., United Kingdom, Ireland, Mexico, or Benelux, contact your distributor to request support or return a product. Visit [www.chauvetlighting.com](http://www.chauvetlighting.com) for contact information.

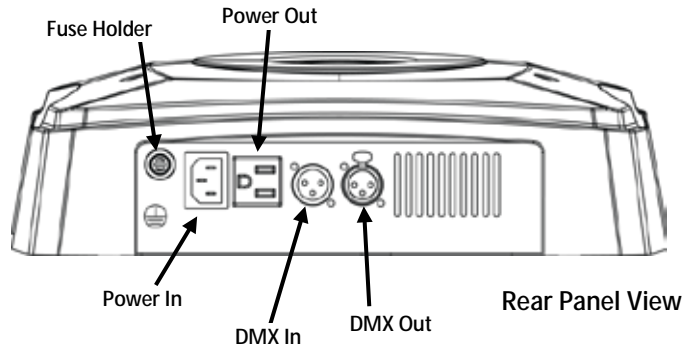
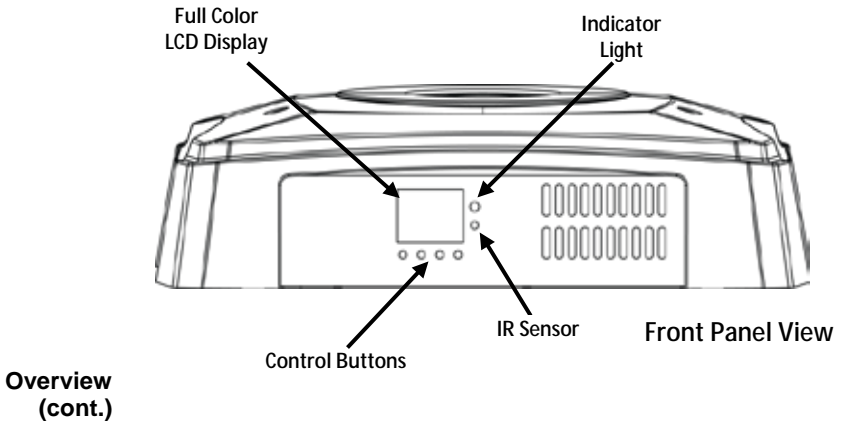
- What Is Included**
- Intimidator Spot 455Z IRC
  - Power Cord
  - Hanging Bracket with Mounting Hardware
  - Warranty Card
  - Quick Reference Guide

**To Begin** Unpack your Intimidator Spot 455Z IRC and make sure you have received all parts in good condition. If the box or contents appear damaged, notify the carrier immediately, not Chauvet.

**Description** The Intimidator Spot 455Z IRC is an exceptionally bright, 180 W LED moving head spot designed for large events. Simple navigation and full text readout with high-contrast is displayed on a full-color LCD display. An easy-access gobo door allows for quick gobo changes. Motorized focus emits crisp projections at almost any distance. A 3-facet rotating prism splits the beam for great effects and a large coverage area. Built-in effect macros and move-in-black feature minimizes programming time. Operation options include Auto and Sound-Active programs, DMX and Master/Slave mode. Pan and tilt ranges are user-selectable. The Intimidator Spot 455Z IRC fits best in the CHS-50 VIP Gear Bag from Chauvet.

**Overview**





**AC Power** This product has an auto-ranging power supply that can work with an input voltage range of 100 to 240 VAC, 50/60 Hz.



### Fuse Replacement

**To eliminate wear and improve its lifespan, during periods of non-use completely disconnect from power via breaker or by unplugging it.**

1. Disconnect the product from power.
2. Using a flat-head screwdriver, unscrew the fuse holder and pull straight out.
3. Remove the blown fuse from the holder and replace with a fuse of the exact same type and rating.
4. Re-insert the fuse holder and reconnect power.

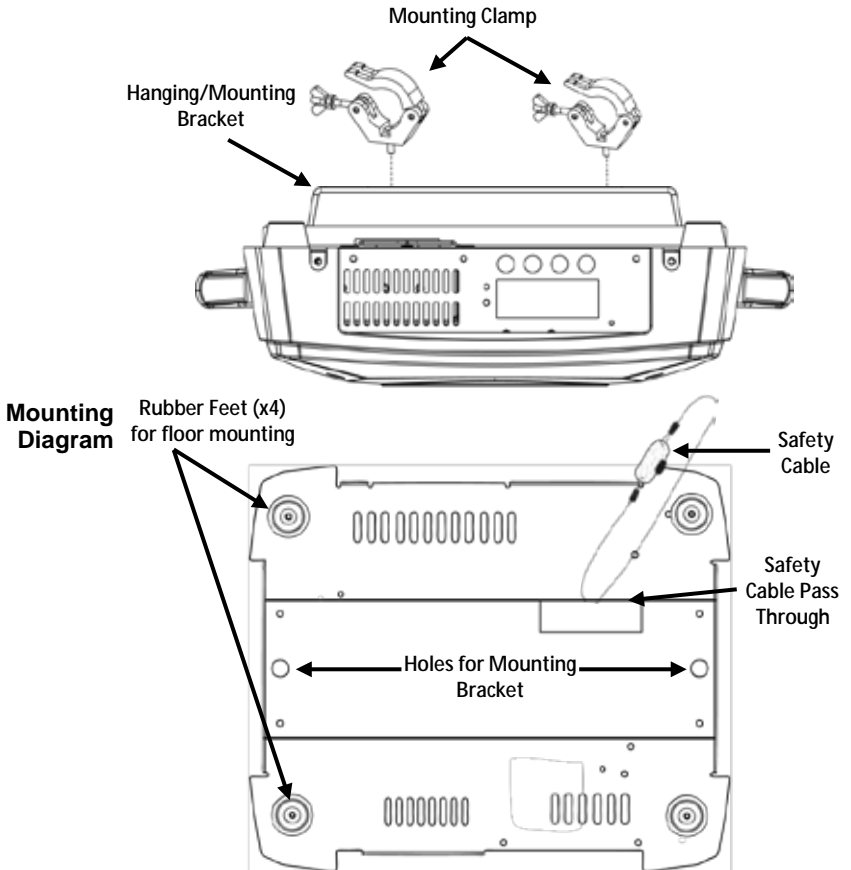
## Infrared Remote Control (IRC-6)

The Intimidator Spot 455Z IRC is compatible with the IRC-6 from Chauvet.

The following IRC-6 buttons are used with the Intimidator Spot 455Z IRC:

- <**BLACKOUT**> - Turns LED on/off
- <**AUTO**> - Selects auto program mode (scrolling)
- <**SOUND**> - Selects Sound-Active mode
- <**STROBE**> - Strobing (0–20 Hz)
- <**SPEED**> - Pan/Tilt auto program speed (decreasing)
- <**SENSITIVITY**> - Selects sound sensitivity
- <**%**> - LED dimmer
- <**MANUAL**> - Gobo selection
- <**FADE**> - Color selection
- <**R**> - Color rotation speed
- <**G**> - Gobo rotation speed
- <**B**> - Auto mode
- <**A**> - Pan/Tilt manual adjustment
- <**W**> - Prism effect
- <**UV**> - Zoom/Focus
- <**+**> - Increase
- <**-**> - Decrease
- <**0**> to <**9**> - Select auto program by number

**Mounting** Before mounting this product, read the [Safety Notes](#). Make sure the mounting clamp is capable of supporting the weight of the product. For our Chauvet line of mounting clamps, go to [www.chauvetlighting.com](http://www.chauvetlighting.com).



**⚠** When using only one mounting clamp, be sure to use a clamp with a captive bolt to prevent accidental loosening.

Control Panel Description	Button	Function
	<MODE>	Exits from the current menu or function
	<UP>	Navigates upwards through the menu list and increases the numeric value when in a function
	<DOWN>	Navigates downwards through the menu list and decreases the numeric value when in a function
	<ENTER>	Enables the currently displayed menu or sets the currently selected value into the selected function

## Menu Options

Main Function	Programming Levels		Description	
<b>Address</b>	<b>001–512 (497)</b>		Sets the DMX starting address	
<b>Run Mode</b>	<b>DMX</b>	<b>16CH</b>	Selects DMX mode	
		<b>10CH</b>		
	<b>Slave</b>	<b>Slave 1–4</b>	Selects Slave mode 1, 2, 3, or 4	
	<b>Sound</b>		Selects Sound-Active mode	
	<b>Auto</b>		Selects Auto mode	
	<b>IR</b>		Selects infrared control	
	<b>Manual</b>	<b>000–255</b>	<b>Pan</b>	0 to 540°
			<b>Pan Fine</b>	Fine control of panning
			<b>Tilt</b>	0 to 270°
			<b>Tilt Fine</b>	Fine control of tilting
			<b>P/T Speed</b>	Pan/Tilt speed (fast to slow)
			<b>Color</b>	Selects color options
			<b>Gobo</b>	Selects Gobo options
			<b>Gobo Rotation</b>	Rotation effect with increasing speed
			<b>Prism</b>	Selects 3-facet prism
			<b>Dimmer</b>	Sets dimmer value
			<b>Shutter</b>	Strobe effect with increasing speed
<b>Special Function</b>			Selects control functions	
<b>P/T Macro</b>	Selects pan/tilt movement macros			
<b>Setup</b>	<b>Pan Reverse</b>	<b>OFF</b>	Normal pan operation	
		<b>ON</b>	Reverse pan operation	
	<b>Tilt Reverse</b>	<b>OFF</b>	Normal tilt operation	
		<b>ON</b>	Reverse tilt operation	
	<b>Screen Reverse</b>	<b>OFF</b>	Normal display	
		<b>ON</b>	Reverse display	
	<b>Pan Angle</b>	<b>540</b>	Selects the 540° pan angle range	
		<b>360</b>	Selects the 360° pan angle range	
		<b>180</b>	Selects the 180° pan angle range	
	<b>Tilt Angle</b>	<b>270</b>	Selects the 270° tilt angle range	
		<b>180</b>	Selects the 180° tilt angle range	
		<b>090</b>	Selects the 90° tilt angle range	
	<b>Totem</b>	<b>Up</b>	Selects upward pan and tilt range	
<b>Down</b>		Selects downward pan and tilt range		
<b>Sensitivity</b>	<b>001–100</b>	Sound sensitivity control		
<b>Reset</b>		Resets the product		
<b>Factory Set</b>		Loads factory defaults		
<b>Sys Info</b>	<b>Ver: VX.X</b>		Displays the software version	
	<b>Running Mode: XXXXX</b>		Displays the current running mode	
	<b>DmxAddress: XXX</b>		Displays the current DMX address	
	<b>Temperature: XXX</b>		Displays the LED temperature in Celsius	

**DMX Linking** The Intimidator Spot 455 IRC can work with a DMX controller when linked by DMX serial connections. Instructions for connecting and configuring this product for DMX operation are in the User Manual. If you are not familiar with DMX, download the DMX Primer from [www.chauvetlighting.com](http://www.chauvetlighting.com).

**Starting Address** To ensure full access to all channels in each DMX mode, the highest recommended DMX address is **497**.

**Master/Slave Connection** The Intimidator Spot 455 IRC uses the DMX data connection for its Master/Slave mode. Instructions for connecting and configuring this product for Master/Slave operation are in the User Manual.

**Color Wheel**



**Gobo Wheel 1**



**Gobo Wheel 2**





## DMX Values

16CH	Channel	Function	Value	Percent/Setting
	1	<b>Pan</b>	000 ó 255	0 to 540°
	2	<b>Fine Pan</b>	000 ó 255	Fine control of panning
	3	<b>Tilt</b>	000 ó 255	0 to 270°
	4	<b>Fine Tilt</b>	000 ó 255	Fine control of tilting
	5	<b>Speed</b>	000 ó 255	Pant/Tilt speed (fast to slow)
	6	<b>Color Wheel</b>	000 ó 007	White
			008 ó 015	Dark Blue
			016 ó 023	Yellow
			024 ó 031	Pink
			032 ó 039	Green
			040 ó 047	Red
			048 ó 055	Light Blue
			056 ó 063	Orange
			064 ó 071	Dark Blue + White
			072 ó 079	Yellow + Blue
			080 ó 087	Yellow + Pink
			088 ó 095	Pink + Green
			096 ó 103	Green + Red
			104 ó 111	Red + Light Blue
			112 ó 119	Light Blue + Orange
	120 ó 127	Orange + White		
	128 ó 191	Color cycling rainbow with increasing speed		
	192 ó 255	Reverse color cycling rainbow with increasing speed		
	7	<b>Gobo Wheel 1</b>	000 ó 007	White
			008 ó 015	Gobo 1
			016 ó 023	Gobo 2
			024 ó 031	Gobo 3
			032 ó 039	Gobo 4
			040 ó 047	Gobo 5
			048 ó 055	Gobo 6
			056 ó 063	Gobo 7
			064 ó 071	Gobo 7 shake, slow to fast
			072 ó 079	Gobo 6 shake, slow to fast
			080 ó 087	Gobo 5 shake, slow to fast
			088 ó 095	Gobo 4 shake, slow to fast
			096 ó 103	Gobo 3 shake, slow to fast
			104 ó 111	Gobo 2 shake, slow to fast
			112 ó 119	Gobo 1 shake, slow to fast
	120 ó 127	Open		
	128 ó 191	Cycle effect with increasing speed		
	192 ó 255	Reverse cycle effect with increasing speed		

## DMX Values (cont.)

16CH (cont.)	Channel	Function	Value	Percent/Setting
8	8	Gobo Rotation	000 ó 063	Gobo Orientation
			064 ó 147	Rotation effect with increasing speed
			148 ó 231	Reverse rotation effect with increasing speed
			232 ó 255	Gobo bounce
9	9	Gobo Wheel 2 (Static)	000 ó 006	White
			007 ó 013	Gobo 1
			014 ó 020	Gobo 2
			021 ó 027	Gobo 3
			028 ó 034	Gobo 4
			035 ó 041	Gobo 5
			042 ó 048	Gobo 6
			049 ó 055	Gobo 7
			056 ó 063	Gobo 8
			064 ó 071	Gobo 8 shake, slow to fast
			072 ó 078	Gobo 7 shake, slow to fast
			079 ó 085	Gobo 6 shake, slow to fast
			086 ó 092	Gobo 5 shake, slow to fast
			093 ó 099	Gobo 4 shake, slow to fast
			100 ó 106	Gobo 3 shake, slow to fast
			107 ó 113	Gobo 2 shake, slow to fast
			114 ó 120	Gobo 1 shake, slow to fast
121 ó 127	Open			
128 ó 191	Cycle effect with increasing speed			
192 ó 255	Reverse cycle effect with increasing speed			
10	10	Prism	000 ó 007	No function
			008 ó 012	Prism on
			013 ó 130	Cycle effect with increasing speed
			131 ó 247	Reverse cycle effect with increasing speed
			248 ó 255	Prism on
11	11	Focus	000 ó 255	0–100%
12	12	Dimmer	000 ó 255	0–100%
13	13	Shutter	000 ó 003	Closed
			004 ó 007	Open
			008 ó 076	Synchronized strobe effect (increasing speed)
			077 ó 145	Strobe effect (increasing speed)
			146 ó 215	Random shutter (increasing speed)
			216 ó 255	Open

## DMX Values (cont.)

16CH  
(cont.)

Channel	Function	Value	Percent/Setting
14	Control Functions	000 ó 007	No function
		008 ó 015	Blackout while pan/tilt moving
		016 ó 023	Blackout while moving color wheel
		024 ó 031	Blackout while moving gobo wheel
		032 ó 039	Blackout while pan/tilt/moving color wheel
		040 ó 047	Blackout while pan/tilt/moving gobo wheel
		048 ó 055	Disable blackout while pan/tilt/moving gobo/moving color wheel
		056 ó 087	No function
		088 ó 095	Reset pan
		096 ó 103	Reset tilt
		104 ó 111	No function
		112 ó 119	Reset color wheel
		120 ó 127	Reset Gobo wheel
		128 ó 135	Reset Gobo rotation
		136 ó 143	Reset prism
		144 ó 151	Reset focus
		152 ó 159	Reset all channels
		160 ó 167	Zoom reset
168 ó 175	Static Gobo reset		
176 ó 255	No function		
15	Movement Macros	000 ó 007	No function
		008 ó 023	Automatic movement 1
		024 ó 039	Automatic movement 2
		040 ó 055	Automatic movement 3
		056 ó 071	Automatic movement 4
		072 ó 087	Automatic movement 5
		088 ó 103	Automatic movement 6
		104 ó 119	Automatic movement 7
		120 ó 135	Automatic movement 8
		136 ó 151	Sound-active movement 1
		152 ó 167	Sound-active movement 2
		168 ó 183	Sound-active movement 3
		184 ó 199	Sound-active movement 4
		200 ó 215	Sound-active movement 5
		216 ó 231	Sound-active movement 6
232 ó 247	Sound-active movement 7		
248 ó 255	Sound-active movement 8		
16	Zoom	000 ó 255	0–100%

**DMX Values (cont.)**

<b>10CH</b>	<b>Channel</b>	<b>Function</b>	<b>Value</b>	<b>Percent/Setting</b>
	1	Pan	000 ∘ 255	0 to 540°
	2	Tilt	000 ∘ 255	0 to 270°
	3	Color Wheel	000 ∘ 007	White
			008 ∘ 015	Dark Blue
			016 ∘ 023	Yellow
			024 ∘ 031	Pink
			032 ∘ 039	Green
			040 ∘ 047	Red
			048 ∘ 055	Light Blue
			056 ∘ 063	Orange
			064 ∘ 071	Dark Blue + White
			072 ∘ 079	Yellow + Blue
			080 ∘ 087	Yellow + Pink
			088 ∘ 095	Pink + Green
			096 ∘ 103	Green + Red
			104 ∘ 111	Red + Light Blue
			112 ∘ 119	Light Blue + Orange
			120 ∘ 127	Orange + White
			128 ∘ 191	Color cycling rainbow with increasing speed
	192 ∘ 255	Reverse color cycling rainbow with increasing speed		
	4	Gobo Wheel 1	000 ∘ 007	White
			008 ∘ 015	Gobo 1
			016 ∘ 023	Gobo 2
			024 ∘ 031	Gobo 3
			032 ∘ 039	Gobo 4
			040 ∘ 047	Gobo 5
			048 ∘ 055	Gobo 6
			056 ∘ 063	Gobo 7
			064 ∘ 071	Gobo 7 shake, slow to fast
			072 ∘ 079	Gobo 6 shake, slow to fast
			080 ∘ 087	Gobo 5 shake, slow to fast
			088 ∘ 095	Gobo 4 shake, slow to fast
			096 ∘ 103	Gobo 3 shake, slow to fast
			104 ∘ 111	Gobo 2 shake, slow to fast
			112 ∘ 119	Gobo 1 shake, slow to fast
			120 ∘ 127	Open
			128 ∘ 191	Cycle effect with increasing speed
	192 ∘ 255	Reverse cycle effect with increasing speed		

**DMX Values (cont.)**

<b>10CH (cont.)</b>	<b>Channel</b>	<b>Function</b>	<b>Value</b>	<b>Percent/Setting</b>
	5	<b>Gobo Rotation</b>	000 ó 063	Gobo Orientation
			064 ó 147	Rotation effect with increasing speed
			148 ó 231	Reverse rotation effect with increasing speed
			232 ó 255	Gobo bounce
	6	<b>Gobo Wheel 2 (Static)</b>	000 ó 006	White
			007 ó 013	Gobo 1
			014 ó 020	Gobo 2
			021 ó 027	Gobo 3
			028 ó 034	Gobo 4
			035 ó 041	Gobo 5
			042 ó 048	Gobo 6
			049 ó 055	Gobo 7
			056 ó 063	Gobo 8
			064 ó 071	Gobo 8 shake, slow to fast
			072 ó 078	Gobo 7 shake, slow to fast
			079 ó 085	Gobo 6 shake, slow to fast
			086 ó 092	Gobo 5 shake, slow to fast
			093 ó 099	Gobo 4 shake, slow to fast
			100 ó 106	Gobo 3 shake, slow to fast
			107 ó 113	Gobo 2 shake, slow to fast
			114 ó 120	Gobo 1 shake, slow to fast
121 ó 127	Open			
128 ó 191	Cycle effect with increasing speed			
192 ó 255	Reverse cycle effect with increasing speed			
	7	<b>Prism</b>	000 ó 007	No function
			008 ó 012	Prism on
			013 ó 130	Cycle effect with increasing speed
			131 ó 247	Reverse cycle effect with increasing speed
			248 ó 255	Prism on
8	<b>Focus</b>	000 ó 255	0–100%	
	9	<b>Shutter</b>	000 ó 003	Closed
			004 ó 007	Open
			008 ó 076	Synchronized strobe effect (increasing speed)
			077 ó 145	Strobe effect (increasing speed)
			146 ó 215	Random shutter (increasing speed)
216 ó 255	Open			
10	<b>Zoom</b>	000 ó 255	0–100%	

## Acerca de esta guía

La guía de referencia rápida (GRR) del Intimidator Spot 455Z IRC contiene información básica sobre el producto, como montaje, opciones de menú y valores DMX. Descargue el manual de usuario de [www.chauvetlighting.com](http://www.chauvetlighting.com) para una información más detallada.

## Exención de responsabilidad

La información y especificaciones contenidas en esta GRR están sujetas a cambio sin previo aviso.

## Notas de seguridad

Estas notas de seguridad incluyen información importante sobre el montaje, uso y mantenimiento.



- Conecte este producto SOLO a un circuito con toma de tierra y protegido.
- Desconecte siempre de la alimentación antes de la limpieza o sustitución del fusible.
- NO mire a la fuente de luz cuando el producto esté encendido.
- Asegúrese de que el cable de alimentación no está retorcido ni estropeado.
- Nunca desconecte este producto de la alimentación tirando del cable.
- Cuando monte este producto en alto, use un cable de seguridad.
- NO permita la presencia de materiales inflamables cerca de la unidad cuando esté en funcionamiento.
- NO toque este producto cuando esté en funcionamiento, pues podría estar caliente.



- La tensión del enchufe al que conecte este producto ha de estar en el rango establecido en el grabado o en el panel posterior del producto.
- ¡Este producto es para uso en interiores solamente! (IP20) Para evitar riesgos de incendio o descarga, no exponga este producto a la lluvia o la humedad.
- Monte siempre este producto en una ubicación con ventilación adecuada, al menos a 20 in (50 cm) de superficies adyacentes.
- Asegúrese de que ninguna ranura de ventilación en la carcasa de la unidad queda bloqueada.
- Nunca conecte este producto a un atenuador o reostato.
- Sustituya el fusible con otro del mismo tipo y categoría.
- Use SOLAMENTE los soportes de colgar/montar para mover este producto
- La temperatura ambiente máxima es de 104 °F (40 °C). No haga funcionar este producto a temperaturas más altas.
- En caso de un problema grave de funcionamiento, deje de usarlo inmediatamente.
- NO abra este producto. No contiene piezas reparables por el usuario.
- Para evitar un desgaste innecesario y alargar su vida útil, desconecte completamente el producto de la alimentación mediante el interruptor o desenchufándolo durante periodos en que no se use.

## Contacto

Fuera de EE. UU., Reino Unido, Irlanda, México o Benelux póngase en contacto con su distribuidor para solicitar asistencia o devolver un producto. Visite [www.chauvetlighting.com](http://www.chauvetlighting.com) para información de contacto.

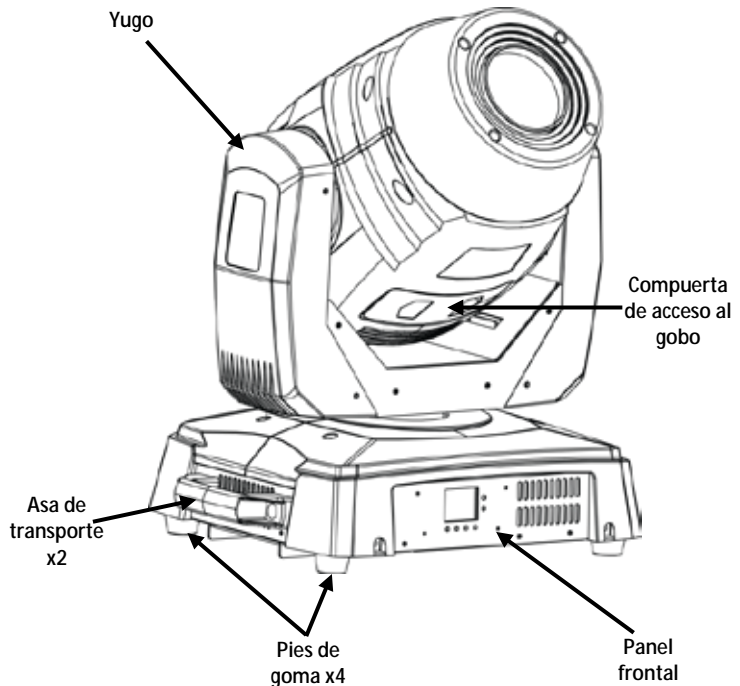
## Qué va incluido

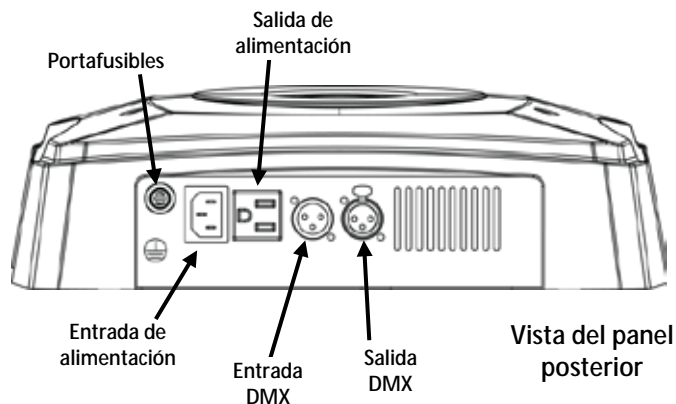
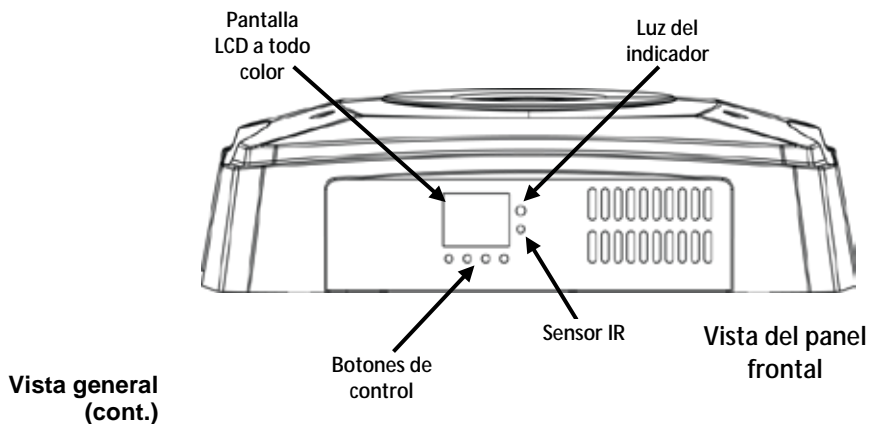
- Intimidator Spot 455Z IRC
- Cable de alimentación
- Soporte para colgar con material de montaje
- Tarjeta de garantía
- Guía de referencia rápida

**Para empezar** Desembale su Intimidator Spot 455Z IRC y asegúrese de que ha recibido todas las partes en buen estado. Si la caja o los componentes parecen dañados, notifíquese lo inmediatamente al transportista, no a Chauvet.

**Descripción** El Intimidator Spot 455Z IRC es un foco de cabeza móvil LED de 180 W extremadamente brillante, diseñado para grandes eventos. La navegación sencilla con lectura completa de texto se despliega en la pantalla LCD de alto contraste a todo color. Las compuertas de gobo de fácil acceso permiten cambios rápidos de gobo. El enfoque con motor sirve para emitir proyecciones nítidas a casi cualquier distancia. Un prisma giratorio de 3 caras divide el haz para magníficos efectos y una amplia cobertura. Los macros de efectos integrados y la característica "move-in-black" minimizan el tiempo de programación. Las opciones de funcionamiento incluyen programas Automáticos y Activos por sonido, DMX y modo Maestro/Esclavo. Los rangos de desplazamiento lateral e inclinación son seleccionables por el usuario. El Intimidator Spot 455Z IRC cabe perfectamente en la bolsa de material CHS-50 VIP de Chauvet.

Vista general





**Corriente alterna** Este producto tiene una fuente de alimentación con detección automática que puede funcionar con un rango de tensión de entrada de 100 a 240 VCA, 50/60 Hz.



### Sustitución del fusible

**Para evitar el desgaste y alargar su vida útil, desconecte completamente el producto mediante el interruptor o desenchufándolo durante periodos en que no se use.**

1. Desconecte el producto de la alimentación.
2. Con ayuda de un destornillador de cabeza plana, desatornille el portafusibles y extráigalo directamente.
3. Quite el fusible fundido del portafusibles y sustituya el fusible con otro del mismo tipo y categoría.
4. Vuelva a insertar el portafusibles y conecte de nuevo la alimentación.



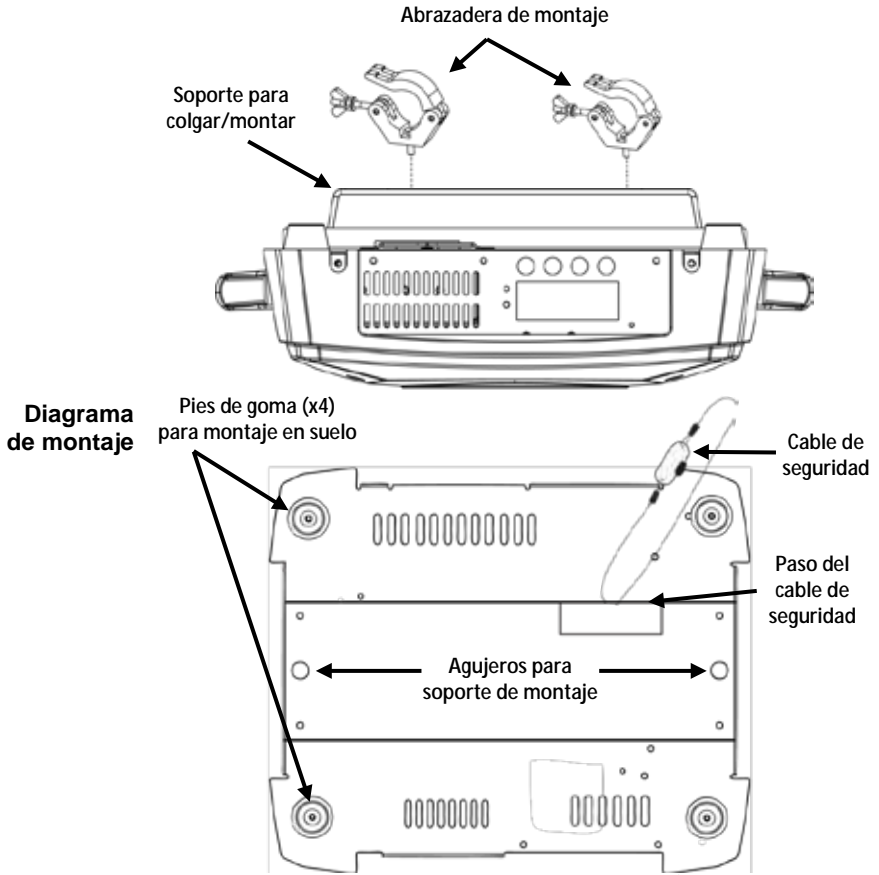
## Control remoto por infrarrojos (IRC-6)

El Intimidator Spot 455Z IRC es compatible con el IRC-6 de Chauvet.

Los siguientes botones del IRC-6 se usan con el Intimidator Spot 455Z IRC:

- <**BLACKOUT**>: apaga/enciende el LED
- <**AUTO**>: selecciona el modo de programa automático (desplazamiento)
- <**SOUND**>: selecciona el modo Activo por sonido
- <**STROBE**>: estroboscopio (0–20 Hz)
- <**SPEED**>: velocidad de Desplazamiento lateral/Inclinación (decreciente)
- <**SENSITIVITY**>: selecciona la sensibilidad al sonido
- <**%**>: atenuador de LED
- <**MANUAL**> - selección de gobo
- <**FADE**>: selección de color
- <**R**>: velocidad de rotación del color
- <**G**>: velocidad de rotación del gobo
- <**B**>: modo automático
- <**A**>: ajuste manual de desplazamiento lateral/inclinación
- <**W**>: efecto prisma
- <**UV**>: zoom/enfoque
- <**+**>: aumentar
- <**-**>: disminuir
- <**0**> a <**9**>: seleccionar programa automático por número

**Montaje** Antes de montar este producto, lea las [Notas de seguridad](#). Asegúrese de que abrazadera de montaje es capaz de soportar el peso del producto. Para nuestra línea Chauvet de abrazaderas de montaje, visite [www.chauvetlighting.com](http://www.chauvetlighting.com).



Cuando use una abrazadera de montaje, asegúrese de usar una abrazadera con tornillo prisionero para evitar que se afloje accidentalmente.

**Descripción del panel de control**

Botón	Función
<MODE>	Salte del menú o función actual
<UP>	Navega hacia arriba por la lista de menú y aumenta el valor numérico cuando está en una función
<DOWN>	Navega hacia abajo por la lista de menú y disminuye el valor numérico cuando está en una función
<ENTER>	Habilita el menú actualmente en pantalla o configura el valor seleccionado actualmente dentro de la función seleccionada

## Opciones de menú

Función principal	Niveles de programación		Descripción	
<b>Address</b>	<b>001–512 (497)</b>		Configura la dirección inicial DMX	
<b>Run Mode</b>	<b>DMX</b>	<b>16CH</b>	Selecciona el modo de ejecución DMX	
		<b>10CH</b>		
	<b>Slave</b>	<b>Slave 1–4</b>	Selecciona el modo esclavo 1, 2, 3 o 4	
	<b>Sound</b>		Selecciona el modo Activo por sonido	
	<b>Auto</b>		Selecciona el modo Maestro/Esclavo	
	<b>IR</b>		Selecciona el control por infrarrojos	
	<b>Manual</b>	<b>Pan</b>	<b>000–255</b>	0 a 540°
		<b>Pan Fine</b>		Control fino del desplazamiento lateral
		<b>Tilt</b>		0 a 270°
		<b>Tilt Fine</b>		Control fino de la inclinación
		<b>P/T Speed</b>		Velocidad de desplazamiento lateral/inclinación (rápido a lento)
		<b>Color</b>		Selecciona las opciones de color
		<b>Gobo</b>		Selecciona las opciones de color
		<b>Gobo Rotation</b>		Efecto de rotación con velocidad creciente
		<b>Prism</b>		Selecciona el prisma de 3 caras
		<b>Dimmer</b>		Configura el valor del atenuador
		<b>Shutter</b>		Efecto estroboscopia con velocidad creciente
		<b>Special Function</b>		Selecciona las funciones de control
		<b>P/T Macro</b>		Selecciona los macros de movimiento lateral/inclinación
<b>Setup</b>	<b>Pan Reverse</b>	<b>OFF</b>	Funcionamiento de desplazamiento lateral normal	
		<b>ON</b>	Invierte el funcionamiento del desplazamiento lateral	
	<b>Tilt Reverse</b>	<b>OFF</b>	Funcionamiento inclinación normal	
		<b>ON</b>	Invierte el funcionamiento de la inclinación	
	<b>Screen Reverse</b>	<b>OFF</b>	Pantalla normal	
		<b>ON</b>	Invierte la pantalla	
	<b>Pan Angle</b>	<b>540</b>	Selecciona el rango de desplazamiento lateral de 540°	
		<b>360</b>	Selecciona el rango de desplazamiento lateral de 360°	
		<b>180</b>	Selecciona el rango de desplazamiento lateral de 180°	
	<b>Tilt Angle</b>	<b>270</b>	Selecciona el rango de inclinación de 270°	
		<b>180</b>	Selecciona el rango de inclinación de 180°	
		<b>090</b>	Selecciona el rango de inclinación de 90°	
	<b>Totem</b>	<b>Up</b>	Selecciona el rango de desplazamiento lateral e inclinación hacia arriba	
		<b>Down</b>	Selecciona el rango de desplazamiento lateral e inclinación hacia abajo	
<b>Sensitivity</b>	<b>001–100</b>	Control de sensibilidad al sonido		
<b>Reset</b>			Reinicia el producto.	
<b>Factory Set</b>			Carga los valores por defecto de fábrica	

Función principal	Niveles de programación	Descripción
Sys Info	Ver: <b>VX.X</b>	Muestra en pantalla la versión de software
	Running Mode: <b>XXXXX</b>	Muestra el modo de ejecución actual
	DmxAddress: <b>XXX</b>	Muestra la dirección DMX actual
	Temperature: <b>XXX</b>	Muestra la temperatura del LED en Celsius

**Enlace DMX** El Intimidator Spot 455 IRC puede funcionar con un controlador DMX cuando se enlaza por conexiones serie DMX. Las instrucciones para conectar y configurar este producto para funcionamiento DMX están en el manual de usuario. Si no está familiarizado con DMX, descargue el Manual DMX de [www.chauvetlighting.com](http://www.chauvetlighting.com).

**Dirección de inicio** Para asegurarse acceso total a todos los canales en cada modo DMX, la dirección DMX más recomendable es **497**.

**Conexión Maestro/Esclavo** El Intimidator Spot 455 IRC usa la conexión de datos DMX para su modo Maestro/Esclavo. Las instrucciones para conectar y configurar este producto para funcionamiento Maestro/Esclavo están en el manual de usuario.

### Rueda de color



### Rueda de gobo 1



### Rueda de gobo 2



## Valores DMX

16CH	Canal	Función	Valor	Porcentaje/Configuración
	1	Desplazamiento lateral	000 ó 255	0 a 540°
	2	Desplazamiento lateral fino	000 ó 255	Control fino del desplazamiento lateral
	3	Inclinación	000 ó 255	0 a 270°
	4	Inclinación fina	000 ó 255	Control fino de la inclinación
	5	Velocidad	000 ó 255	Velocidad de desplazamiento lateral/inclinación (rápido a lento)
	6	Rueda de color	000 ó 007	Blanco
			008 ó 015	Azul oscuro
			016 ó 023	Amarillo
			024 ó 031	Rosa
			032 ó 039	Verde
			040 ó 047	Rojo
			048 ó 055	Azul claro
			056 ó 063	Naranja
			064 ó 071	Azul oscuro + Blanco
			072 ó 079	Amarillo + Azul
			080 ó 087	Amarillo + Rosa
			088 ó 095	Verde + Rosa
			096 ó 103	Verde + Rojo
			104 ó 111	Rojo + Azul claro
	112 ó 119	Azul Claro + Naranja		
	120 ó 127	Naranja + Blanco		
	128 ó 191	Arco iris de color cíclico con velocidad creciente		
	192 ó 255	Arco iris de color cíclico inverso con velocidad creciente		
	7	Rueda de gobo 1	000 ó 007	Blanco
			008 ó 015	Gobo 1
			016 ó 023	Gobo 2
			024 ó 031	Gobo 3
			032 ó 039	Gobo 4
			040 ó 047	Gobo 5
			048 ó 055	Gobo 6
			056 ó 063	Gobo 7
			064 ó 071	Vibración gobo 7, lento a rápido
			072 ó 079	Vibración gobo 6, lento a rápido
			080 ó 087	Vibración gobo 5, lento a rápido
			088 ó 095	Vibración gobo 4, lento a rápido
			096 ó 103	Vibración gobo 3, lento a rápido
			104 ó 111	Vibración gobo 2, lento a rápido
	112 ó 119	Vibración gobo 1, lento a rápido		
	120 ó 127	Abierto		
	128 ó 191	Efecto cíclico con velocidad creciente		
	192 ó 255	Efecto cíclico inverso con velocidad creciente		

## Valores DMX (cont.)

16CH  
(cont.)

Canal	Función	Valor	Porcentaje/Configuración
8	Rotación de gobo	000 ó 063	Orientación del gobo
		064 ó 147	Efecto de rotación con velocidad creciente
		148 ó 231	Efecto de rotación inversa con velocidad creciente
		232 ó 255	Rebote de gobo
9	Rueda de gobo 2 (estática)	000 ó 006	Blanco
		007 ó 013	Gobo 1
		014 ó 020	Gobo 2
		021 ó 027	Gobo 3
		028 ó 034	Gobo 4
		035 ó 041	Gobo 5
		042 ó 048	Gobo 6
		049 ó 055	Gobo 7
		056 ó 063	Gobo 8
		064 ó 071	Vibración gobo 8, lento a rápido
		072 ó 078	Vibración gobo 7, lento a rápido
		079 ó 085	Vibración gobo 6, lento a rápido
		086 ó 092	Vibración gobo 5, lento a rápido
		093 ó 099	Vibración gobo 4, lento a rápido
		100 ó 106	Vibración gobo 3, lento a rápido
		107 ó 113	Vibración gobo 2, lento a rápido
114 ó 120	Vibración gobo 1, lento a rápido		
121 ó 127	Abierto		
128 ó 191	Efecto cíclico con velocidad creciente		
192 ó 255	Efecto cíclico inverso con velocidad creciente		
10	Prisma	000 ó 007	Sin función
		008 ó 012	Prisma conectado
		013 ó 130	Efecto cíclico con velocidad creciente
		131 ó 247	Efecto cíclico inverso con velocidad creciente
		248 ó 255	Prisma conectado
11	Foco	000 ó 255	0–100%
12	Atenuador	000 ó 255	0–100%
13	Obturador	000 ó 003	Cerrado
		004 ó 007	Abierto
		008 ó 076	Efecto estroboscopia sincronizado (velocidad creciente)
		077 ó 145	Efecto estroboscopia (velocidad creciente)
		146 ó 215	Obturador aleatorio (velocidad creciente)
216 ó 255	Abierto		

## Valores DMX (cont.)

16CH (cont.)	Canal	Función	Valor	Porcentaje/Configuración			
14		Funciones de control	000 ó 007	Sin función			
			008 ó 015	Blackout durante movimiento lateral/inclinación			
			016 ó 023	Blackout durante el movimiento de la rueda de colores			
			024 ó 031	Blackout durante el movimiento de la rueda de gobos			
			032 ó 039	Blackout durante movimiento lateral/inclinación/movimiento rueda colores			
			040 ó 047	Blackout durante movimiento lateral/inclinación/movimiento rueda gobos			
			048 ó 055	Deshabilitar blackout durante movimiento lateral/inclinación/movimiento gobo/movimiento rueda colores			
			056 ó 087	Sin función			
			088 ó 095	Reiniciar desplazamiento lateral			
			096 ó 103	Reiniciar inclinación			
			104 ó 111	Sin función			
			112 ó 119	Reiniciar rueda de color			
			120 ó 127	Reiniciar rueda de gobo			
			128 ó 135	Reiniciar rotación de gobos			
			136 ó 143	Reiniciar prisma			
			144 ó 151	Reiniciar foco			
			152 ó 159	Reiniciar todos los canales			
			160 ó 167	Reinicio del zoom			
			168 ó 175	Reinicio del gobo estático			
			176 ó 255	Sin función			
			15		Macros de movimiento	000 ó 007	Sin función
						008 ó 023	Movimiento automático 1
						024 ó 039	Movimiento automático 2
						040 ó 055	Movimiento automático 3
						056 ó 071	Movimiento automático 4
						072 ó 087	Movimiento automático 5
088 ó 103	Movimiento automático 6						
104 ó 119	Movimiento automático 7						
120 ó 135	Movimiento automático 8						
136 ó 151	Movimiento activo por sonido 1						
152 ó 167	Movimiento activo por sonido 2						
168 ó 183	Movimiento activo por sonido 3						
184 ó 199	Movimiento activo por sonido 4						
200 ó 215	Movimiento activo por sonido 5						
216 ó 231	Movimiento activo por sonido 6						
232 ó 247	Movimiento activo por sonido 7						
248 ó 255	Movimiento activo por sonido 8						
16	Zoom		000 ó 255	0–100%			

## Valores DMX (cont.)

10CH	Canal	Función	Valor	Porcentaje/Configuración
	1	Desplazamiento lateral	000 ó 255	0 a 540°
	2	Inclinación	000 ó 255	0 a 270°
	3	Rueda de color	000 ó 007	Blanco
			008 ó 015	Azul oscuro
			016 ó 023	Amarillo
			024 ó 031	Rosa
			032 ó 039	Verde
			040 ó 047	Rojo
			048 ó 055	Azul claro
			056 ó 063	Naranja
			064 ó 071	Azul oscuro + Blanco
			072 ó 079	Amarillo + Azul
			080 ó 087	Amarillo + Rosa
			088 ó 095	Verde + Rosa
			096 ó 103	Verde + Rojo
			104 ó 111	Rojo + Azul claro
			112 ó 119	Azul Claro + Naranja
	120 ó 127	Naranja + Blanco		
	128 ó 191	Arco iris de color cíclico con velocidad creciente		
	192 ó 255	Arco iris de color cíclico inverso con velocidad creciente		
	4	Rueda de gobo 1	000 ó 007	Blanco
			008 ó 015	Gobo 1
			016 ó 023	Gobo 2
			024 ó 031	Gobo 3
			032 ó 039	Gobo 4
			040 ó 047	Gobo 5
			048 ó 055	Gobo 6
			056 ó 063	Gobo 7
			064 ó 071	Vibración gobo 7, lento a rápido
			072 ó 079	Vibración gobo 6, lento a rápido
			080 ó 087	Vibración gobo 5, lento a rápido
			088 ó 095	Vibración gobo 4, lento a rápido
			096 ó 103	Vibración gobo 3, lento a rápido
			104 ó 111	Vibración gobo 2, lento a rápido
			112 ó 119	Vibración gobo 1, lento a rápido
			120 ó 127	Abierto
			128 ó 191	Efecto cíclico con velocidad creciente
	192 ó 255	Efecto cíclico inverso con velocidad creciente		



## Valores DMX (cont.)

10CH (cont.)	Canal	Función	Valor	Porcentaje/Configuración
5	Rotación de gobo	000 ó 063	Orientación del gobo	
		064 ó 147	Efecto de rotación con velocidad creciente	
		148 ó 231	Efecto de rotación inversa con velocidad creciente	
		232 ó 255	Rebote de gobo	
6	Rueda de gobo 2 (estática)	000 ó 006	Blanco	
		007 ó 013	Gobo 1	
		014 ó 020	Gobo 2	
		021 ó 027	Gobo 3	
		028 ó 034	Gobo 4	
		035 ó 041	Gobo 5	
		042 ó 048	Gobo 6	
		049 ó 055	Gobo 7	
		056 ó 063	Gobo 8	
		064 ó 071	Vibración gobo 8, lento a rápido	
		072 ó 078	Vibración gobo 7, lento a rápido	
		079 ó 085	Vibración gobo 6, lento a rápido	
		086 ó 092	Vibración gobo 5, lento a rápido	
		093 ó 099	Vibración gobo 4, lento a rápido	
		100 ó 106	Vibración gobo 3, lento a rápido	
		107 ó 113	Vibración gobo 2, lento a rápido	
114 ó 120	Vibración gobo 1, lento a rápido			
121 ó 127	Abierto			
128 ó 191	Efecto cíclico con velocidad creciente			
192 ó 255	Efecto cíclico inverso con velocidad creciente			
7	Prisma	000 ó 007	Sin función	
		008 ó 012	Prisma conectado	
		013 ó 130	Efecto cíclico con velocidad creciente	
		131 ó 247	Efecto cíclico inverso con velocidad creciente	
		248 ó 255	Prisma conectado	
8	Foco	000 ó 255	0–100%	
9	Obturador	000 ó 003	Cerrado	
		004 ó 007	Abierto	
		008 ó 076	Efecto estroboscopio sincronizado (velocidad creciente)	
		077 ó 145	Efecto estroboscopio (velocidad creciente)	
		146 ó 215	Obturador aleatorio (velocidad creciente)	
216 ó 255	Abierto			
10	Zoom	000 ó 255	0–100%	

## A propos de ce manuel

Le Manuel de Référence (MR) du Intimidator Spot 455Z IRC reprend des informations de base sur cet appareil notamment en matière de montage, d'options de menu et de valeurs DMX. Veuillez télécharger le manuel d'utilisation à partir du site internet [www.chauvetlighting.com](http://www.chauvetlighting.com) pour plus de détails.

## Clause de non Responsabilité

Les informations et caractéristiques contenues dans ce Mdr sont sujettes à modification sans préavis.

## Consignes de Sécurité

Ces consignes de sécurité contiennent des informations importantes en matière d'installation, d'utilisation et d'entretien.



- Cet appareil DOIT être relié à un circuit mis à la terre et protégé.
- Toujours débrancher l'appareil de la source d'alimentation avant de le nettoyer ou de remplacer son fusible.
- NE PAS exposer directement les yeux à la source de lumière lorsque le produit est allumé.
- Veillez à ce que le cordon d'alimentation ne soit jamais pincé ou endommagé.
- Ne débranchez jamais cet appareil en tirant sur le cordon d'alimentation.
- En cas de montage de l'appareil en hauteur, veillez à toujours utiliser un câble de sécurité.
- NE PAS laisser de produit inflammable à proximité de l'appareil lorsque celui-ci fonctionne.
- NE PAS toucher au boîtier de l'appareil lorsqu'il est en fonctionnement, celui-ci pouvant être très chaud.



- La tension de la source d'énergie à laquelle est connecté cet appareil doit être dans la plage indiquée sur l'étiquette ou sur le panneau arrière de l'appareil.
- Cet appareil doit uniquement être utilisé en intérieur ! (IP20) Afin d'éviter tout risque d'incendie ou de décharge électrique, veillez à n'exposer cet appareil ni à la pluie ni à l'humidité.
- Installez toujours cet appareil dans un endroit bien ventilé à au moins 50 cm (20 po) des surfaces adjacentes.
- Assurez-vous qu'aucune fente de ventilation de l'appareil n'est obstruée.
- Ne connectez jamais cet appareil à un variateur ou un rhéostat.
- Lors du remplacement du fusible, utilisez le même type et le même ampérage.
- Utilisez TOUJOURS le support de suspension/fixation pour supporter l'appareil.
- La température ambiante maximale est de 40 °C (104 °F). Ne faites pas fonctionner cet appareil à des températures plus élevées.
- En cas de sérieux problèmes de fonctionnement, arrêtez l'appareil immédiatement.
- NE PAS ouvrir cet appareil. Il ne contient aucune pièce réparable par l'utilisateur.
- Durant les périodes de non-utilisation, pour éviter toute usure inutile et pour prolonger la durée de vie, déconnectez entièrement l'appareil en le débranchant de l'alimentation électrique ou en coupant le disjoncteur.

## Nous contacter

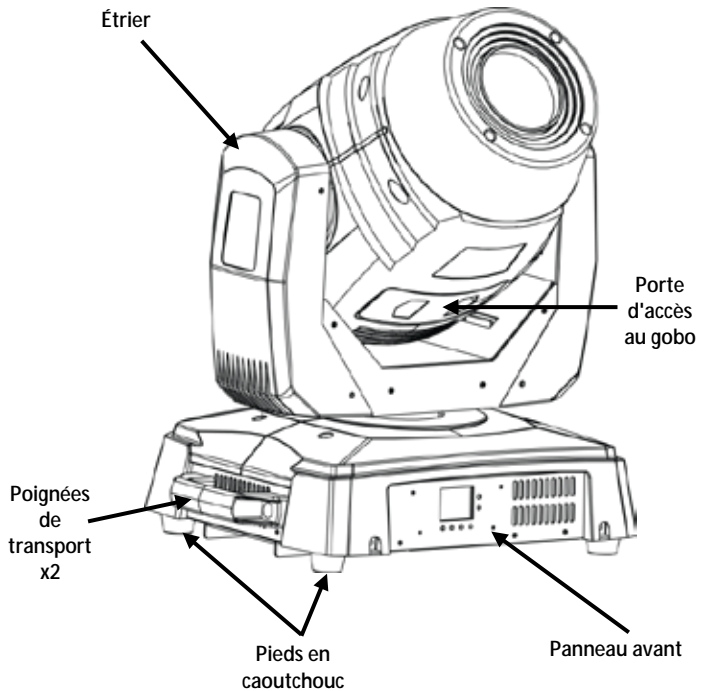
En dehors des États-Unis, du Royaume-Uni, de l'Irlande, du Mexique ou du Benelux, contactez votre fournisseur si vous avez besoin d'assistance ou pour retourner un appareil. Veuillez consulter le site internet [www.chauvetlighting.com](http://www.chauvetlighting.com) pour obtenir des informations pour nous contacter.

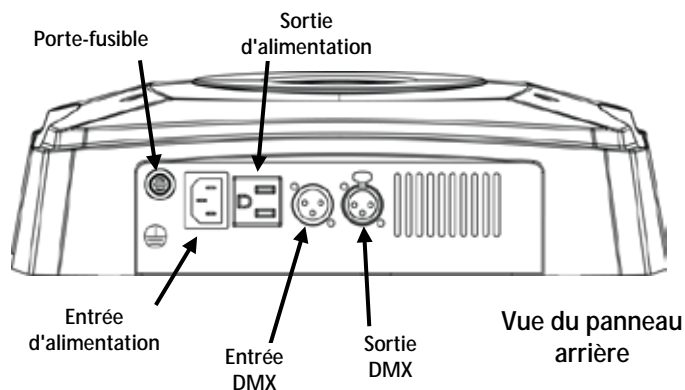
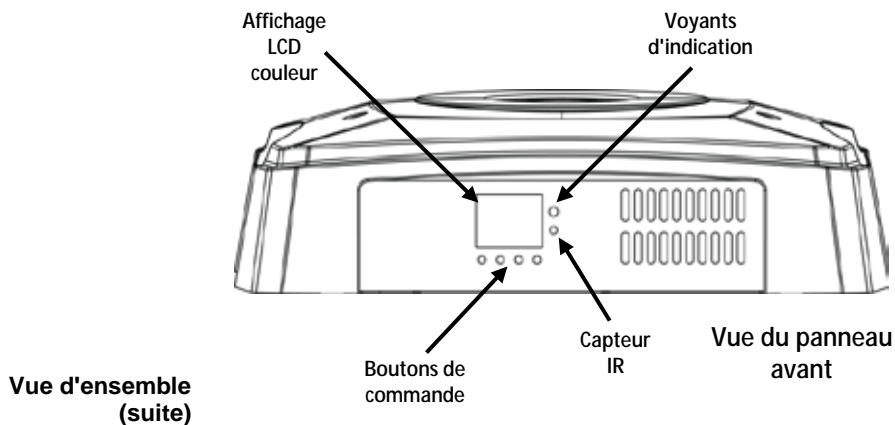
- Contenu**
- Intimidator Spot 455Z IRC
  - Cordon d'alimentation
  - Fixation de suspension avec matériel de montage
  - Fiche de garantie
  - Manuel de référence

**Préalable** Déballiez votre Intimidator Spot 455Z IRC et assurez-vous que vous avez reçu toutes les pièces en bon état. Si la boîte et/ou son contenu semble endommagés, contactez immédiatement le transporteur, et non pas Chauvet.

**Description** Le Intimidator Spot 455Z IRC est un spot LED 180 W à tête mobile extrêmement lumineux conçu pour les grands événements. Affichage à navigation simple et intégralement en mode texte sur un écran LCD couleur à contraste élevé. Une porte d'accès facile au gobo permet de permuter rapidement les gobos. La mise au point motorisée génère des projections nettes à quasiment n'importe quelle distance. Un prisme rotatif à 3 facettes sépare le faisceau pour de superbes effets et pour couvrir de larges zones. Les fonctions intégrées de macros d'effets et de déplacement dans le noir réduisent le temps de programmation. Cet appareil peut être utilisé avec des programmes automatiques ou d'activation par le son ainsi qu'avec les modes DMX et maître/esclave. Les plages de balayage et de basculement sont paramétrables par l'utilisateur; Le sac de transport CHS-40 VIP de Chauvet est recommandé pour le Intimidator Spot 455Z IRC.

**Vue d'ensemble**





**Alimentation** Cet appareil est doté d'une alimentation universelle qui peut prendre en charge toute tension d'entrée comprise entre 100 et 240 VCA, 50/60 Hz.

**CA**



**Remplacement du fusible**

**Durant les périodes de non-utilisation, pour éviter tout usure et pour prolonger la durée de vie, déconnectez entièrement l'appareil en le débranchant de l'alimentation électrique ou en coupant le disjoncteur.**

1. Débranchez l'appareil.
2. Avec un tournevis à tête plate, dévissez le porte-fusible et retirez-le directement.
3. Enlevez le fusible grillé du porte fusible et remplacez-le par un fusible de même type et de même ampérage.
4. Remettez le porte-fusible en place puis rebranchez.

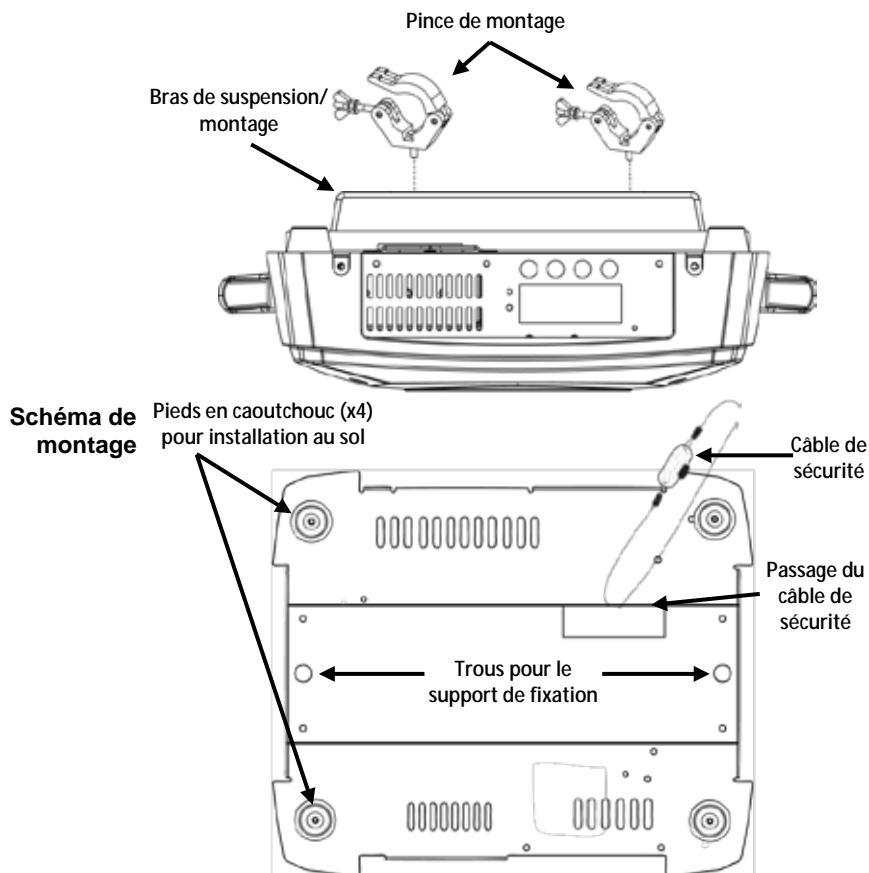
## Télécommande infra-rouge 6 (IRC-6)


Le Intimidator Spot 455Z IRC est compatible avec la télécommande infra-rouge IRC-6 de CHAUVET.

Les boutons suivants de l'IRC-6 sont utilisés avec le Intimidator Spot 455Z IRC :

- <**BLACKOUT**>, Allumage/extinction des LED
- <**AUTO**> - Sélection du mode programme automatique (défilement)
- <**SOUND**> - Sélection du mode d'activation par le son
- <**STROBE**> - Activation de l'effet stroboscopique (0–20 Hz)
- <**SPEED**> - Vitesse de basculement/balayage du programme automatique
- <**SENSITIVITY**> - Sélection de la sensibilité au son
- <**%**> - Gradateur LED
- <**MANUAL**> - Sélection du gobo
- <**FADE**> - Sélection de la couleur
- <**R**> - Vitesse de rotation de couleur
- <**G**> - Vitesse de rotation de gobo
- <**B**> - Mode automatique
- <**A**> - Réglage manuel du balayage/basculement
- <**W**> - Effet de prisme
- <**UV**> - Zoom/mise au point
- <**+**> - Augmenter
- <**-**> - Diminuer
- <**0**> à <**9**> - Sélection d'un programme automatique par son numéro.

**Montage** Avant de monter cet appareil, veuillez lire les [consignes de sécurité](#). Assurez-vous que la fixation de montage puisse supporter le poids de l'appareil. Pour prendre connaissance de la gamme de pinces de montage Chauvet, veuillez consulter le site internet à l'adresse [www.chauvetlighting.com](http://www.chauvetlighting.com).



 Lorsque vous n'utilisez qu'une seule fixation de montage, veuillez à utiliser un boulon d'ancrage à goujon captif pour empêcher tout desserrage accidentel.

## Description du panneau de commande

Bouton	Fonction
<MODE>	Permet de sortir du menu ou de la fonction en cours
<UP>	Permet de naviguer vers le haut dans la liste du menu et d'incrémenter une valeur numérique dans une fonction.
<DOWN>	Permet de naviguer vers le bas dans la liste du menu et de décrémenter une valeur numérique dans une fonction.
<ENTER>	Active l'entrée de menu actuellement affichée ou confirme la valeur actuellement sélectionnée pour la fonction en cours de sélection.

## Options du menu

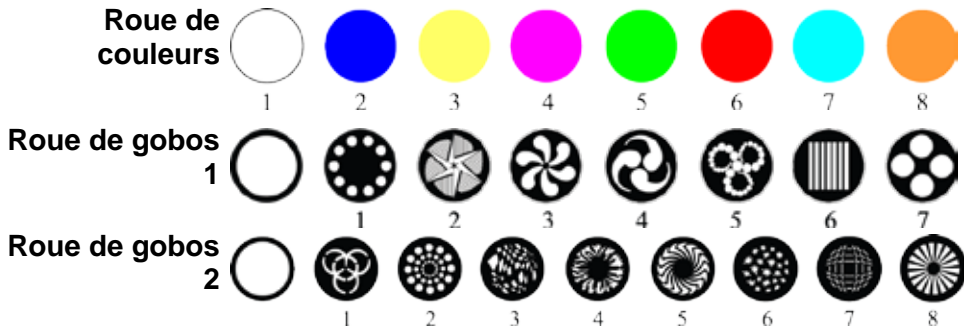
Fonction principale	Niveaux de programmation		Description	
Address	001–512 (497)		Permet de définir l'adresse DMX de départ	
Run Mode	DMX	16CH	Activation du mode DMX	
		10CH		
	Slave	Slave 1–4	Active le mode esclave (1, 2, 3 ou 4)	
	Sound		Permet de sélectionner le mode d'activation par le son	
	Auto		Activation du mode automatique	
	IR		Activation du contrôle par infra-rouge	
	Manual	Pan	000–255	0 à 540°
		Pan Fine		Contrôle précis du balayage
		Tilt		0 à 270°
		Tilt Fine		Contrôle précis du basculement
		P/T Speed		Vitesse de balayage/basculement (rapide à lent)
		Color		Sélection des options de couleur
		Gobo		Sélection des options de Gobo
		Gobo Rotation		Effet de rotation avec vitesse en augmentation
		Prism		Sélection du prisme à 3 facettes
		Dimmer		Permet de définir la valeur d'assombrissement
		Shutter		Effet stroboscope avec vitesse en augmentation
Special Function		Sélection des fonctions de contrôle		
P/T Macro	Permet de sélectionner les macros de mouvement en balayage/basculement			
Setup	Pan Reverse	OFF	Fonctionnement normal du balayage	
		ON	Fonctionnement inversé du balayage	
	Tilt Reverse	OFF	Fonctionnement normal du basculement	
		ON	Fonctionnement inversé du basculement	
	Screen Reverse	OFF	Affichage normal	
		ON	Affichage inversé	
	Pan Angle	540	Sélection de la plage de balayage sur un angle de 540°	
		360	Sélection de la plage de balayage sur un angle de 360°	
		180	Sélection de la plage de balayage sur un angle de 180°	
	Tilt Angle	270	Sélection de la plage de basculement sur un angle de 270°	
		180	Sélection de la plage de basculement sur un angle de 180°	
		090	Sélection de la plage de basculement sur un angle de 90°	
Totem	Up	Sélection de la plage de balayage et de basculement vers le haut		
	Down	Sélection de la plage de balayage et de basculement vers le bas		
Sensitivity	001–100	Contrôle de la sensibilité au son		

Fonction principale	Niveaux de programmation	Description
	<b>Reset</b>	Réinitialisation de l'appareil
	<b>Factory Set</b>	Chargement des paramètres par défaut
Sys Info	<b>Ver: VX.X</b>	Affiche la version du logiciel.
	<b>Running Mode: XXXXX</b>	Affiche le mode d'exécution courant.
	<b>DmxAddress: XXX</b>	Affiche l'adresse DMX courante
	<b>Temperature: XXX</b>	Affiche la température des LEDs en degrés Celsius

**Chaînage DMX** Le Intimidator Spot 455 IRC peut fonctionner avec un contrôleur DMX lorsqu'il est relié par des connexions séries DMX. Les instructions pour la connexion et la configuration de cet appareil pour le fonctionnement en DMX sont indiquées dans le manuel d'utilisation. Si vous n'êtes pas familier avec le protocole DMX, vous pouvez télécharger l'introduction au DMX à l'adresse [www.chauvetlighting.com](http://www.chauvetlighting.com).

**Adresse de départ** Pour permettre un accès à l'ensemble des canaux de chaque mode DMX, l'adresse DMX maximale recommandée est **497**.

**Connexion maître/esclave** Le Intimidator Spot 455 IRC utilise une connexion de données DMX pour le fonctionnement de son mode maître/esclave. Les instructions pour la connexion et la configuration de cet appareil pour le fonctionnement en maître/esclave sont indiquées dans le manuel d'utilisation.





## Valeurs DMX

16CH	Canal	Fonction	Valeur	Pourcentage/Paramétrage
	1	Balayage	000 ó 255	0 à 540°
	2	Balayage fin	000 ó 255	Contrôle précis du balayage
	3	Basculement	000 ó 255	0 à 270°
	4	Basculement fin	000 ó 255	Contrôle précis du basculement
	5	Vitesse	000 ó 255	Vitesse de balayage/basculement (rapide à lent)
	6	Roue de couleurs	000 ó 007	Blanc
			008 ó 015	Bleu foncé
			016 ó 023	Jaune
			024 ó 031	Rose
			032 ó 039	Vert
			040 ó 047	Rouge
			048 ó 055	Bleu clair
			056 ó 063	Orange
			064 ó 071	Bleu foncé + blanc
			072 ó 079	Jaune + bleu
			080 ó 087	Jaune + rose
			088 ó 095	Rose + vert
			096 ó 103	Vert + rouge
			104 ó 111	Rouge + bleu clair
			112 ó 119	Bleu clair + orange
			120 ó 127	Orange + blanc
	128 ó 191	Arc-en-ciel de couleur en cycle avec vitesse en augmentation		
	192 ó 255	Cycle inverse des couleurs de l'arc-en-ciel avec vitesse en augmentation		
	7	Roue de gobos 1	000 ó 007	Blanc
			008 ó 015	Gobo 1
			016 ó 023	Gobo 2
			024 ó 031	Gobo 3
			032 ó 039	Gobo 4
			040 ó 047	Gobo 5
			048 ó 055	Gobo 6
			056 ó 063	Gobo 7
			064 ó 071	Tremblement du gobo 7, lent à rapide
			072 ó 079	Tremblement du gobo 6, lent à rapide
			080 ó 087	Tremblement du gobo 5, lent à rapide
			088 ó 095	Tremblement du gobo 4, lent à rapide
			096 ó 103	Tremblement du gobo 3, lent à rapide
			104 ó 111	Tremblement du gobo 2, lent à rapide
			112 ó 119	Tremblement du gobo 1, lent à rapide
			120 ó 127	Ouvert
	128 ó 191	Effet cyclique avec vitesse en augmentation		
	192 ó 255	Effet cyclique inversé avec vitesse en augmentation		

**16CH  
(cont.)**

Canal	Fonction	Valeur	Pourcentage/Paramétrage
8	Rotation de gobo	000 ó 063	Orientation du gobo
		064 ó 147	Effet de rotation avec vitesse en augmentation
		148 ó 231	Effet cyclique inversé avec vitesse en augmentation
		232 ó 255	Rebond du gobo
9	Roue de gobos 2 (Statique)	000 ó 006	Blanc
		007 ó 013	Gobo 1
		014 ó 020	Gobo 2
		021 ó 027	Gobo 3
		028 ó 034	Gobo 4
		035 ó 041	Gobo 5
		042 ó 048	Gobo 6
		049 ó 055	Gobo 7
		056 ó 063	Gobo 8
		064 ó 071	Tremblement du gobo 8, lent à rapide
		072 ó 078	Tremblement du gobo 7, lent à rapide
		079 ó 085	Tremblement du gobo 6, lent à rapide
		086 ó 092	Tremblement du gobo 5, lent à rapide
		093 ó 099	Tremblement du gobo 4, lent à rapide
		100 ó 106	Tremblement du gobo 3, lent à rapide
		107 ó 113	Tremblement du gobo 2, lent à rapide
114 ó 120	Tremblement du gobo 1, lent à rapide		
121 ó 127	Ouvert		
128 ó 191	Effet cyclique avec vitesse en augmentation		
192 ó 255	Effet cyclique inversé avec vitesse en augmentation		
10	Prisme	000 ó 007	Aucune fonction
		008 ó 012	Prisme activé
		013 ó 130	Effet cyclique avec vitesse en augmentation
		131 ó 247	Effet cyclique inversé avec vitesse en augmentation
		248 ó 255	Prisme activé
11	Focus	000 ó 255	0–100%
12	Gradateur	000 ó 255	0–100%
13	Obturateur	000 ó 003	Fermé
		004 ó 007	Ouvert
		008 ó 076	Effet stroboscopique synchronisé (vitesse en augmentation)
		077 ó 145	Effet stroboscopique (vitesse en augmentation)
		146 ó 215	Obturateur aléatoire (vitesse en augmentation)
216 ó 255	Ouvert		

16CH  
(cont.)

Canal	Fonction	Valeur	Pourcentage/Paramétrage
14	Fonctions de contrôle	000 ó 007	Aucune fonction
		008 ó 015	Noir général pendant le mouvement en balayage/basculement
		016 ó 023	Noir général pendant le mouvement de la roue de couleurs
		024 ó 031	Noir général pendant le mouvement de la roue de gobos
		032 ó 039	Noir général pendant le balayage/basculement/déplacement de la roue de gobos
		040 ó 047	Noir général pendant le balayage/basculement/déplacement de la roue de couleurs
		048 ó 055	Désactivation du noir général pendant le balayage/basculement/déplacement de la roue de gobos/déplacement de la roue de couleurs
		056 ó 087	Aucune fonction
		088 ó 095	Réinitialisation du balayage
		096 ó 103	Réinitialisation du basculement
		104 ó 111	Aucune fonction
		112 ó 119	Réinitialisation de la roue de couleurs
		120 ó 127	Réinitialisation de la roue de gobos
		128 ó 135	Réinitialisation de la rotation des gobos
		136 ó 143	Réinitialisation du prisme
		144 ó 151	Réinitialisation du focus
		152 ó 159	Réinitialisation de tous les canaux
		160 ó 167	Réinitialisation du zoom
168 ó 175	Réinitialisation du gobo statique		
176 ó 255	Aucune fonction		
15	Macros de mouvements	000 ó 007	Aucune fonction
		008 ó 023	Mouvement automatique 1
		024 ó 039	Mouvement automatique 2
		040 ó 055	Mouvement automatique 3
		056 ó 071	Mouvement automatique 4
		072 ó 087	Mouvement automatique 5
		088 ó 103	Mouvement automatique 6
		104 ó 119	Mouvement automatique 7
		120 ó 135	Mouvement automatique 8
		136 ó 151	Mouvement activé par le son 1
		152 ó 167	Mouvement activé par le son 2
		168 ó 183	Mouvement activé par le son 3
		184 ó 199	Mouvement activé par le son 4
		200 ó 215	Mouvement activé par le son 5
		216 ó 231	Mouvement activé par le son 6
232 ó 247	Mouvement activé par le son 7		
248 ó 255	Mouvement activé par le son 8		
16	Zoom	000 ó 255	0–100%

10CH	Canal	Fonction	Valeur	Pourcentage/Paramétrage
	1	Balayage	000 ó 255	0 à 540°
	2	Basculement	000 ó 255	0 à 270°
	3	Roue de couleurs	000 ó 007	Blanc
			008 ó 015	Bleu foncé
			016 ó 023	Jaune
			024 ó 031	Rose
			032 ó 039	Vert
			040 ó 047	Rouge
			048 ó 055	Bleu clair
			056 ó 063	Orange
			064 ó 071	Bleu foncé + blanc
			072 ó 079	Jaune + bleu
			080 ó 087	Jaune + rose
			088 ó 095	Rose + vert
			096 ó 103	Vert + rouge
			104 ó 111	Rouge + bleu clair
			112 ó 119	Bleu clair + orange
			120 ó 127	Orange + blanc
	128 ó 191	Arc-en-ciel de couleur en cycle avec vitesse en augmentation		
	192 ó 255	Cycle inverse des couleurs de l'arc-en-ciel avec vitesse en augmentation		
	4	Roue de gobos 1	000 ó 007	Blanc
			008 ó 015	Gobo 1
			016 ó 023	Gobo 2
			024 ó 031	Gobo 3
			032 ó 039	Gobo 4
			040 ó 047	Gobo 5
			048 ó 055	Gobo 6
			056 ó 063	Gobo 7
			064 ó 071	Tremblement du gobo 7, lent à rapide
			072 ó 079	Tremblement du gobo 6, lent à rapide
			080 ó 087	Tremblement du gobo 5, lent à rapide
			088 ó 095	Tremblement du gobo 4, lent à rapide
			096 ó 103	Tremblement du gobo 3, lent à rapide
			104 ó 111	Tremblement du gobo 2, lent à rapide
			112 ó 119	Tremblement du gobo 1, lent à rapide
			120 ó 127	Ouvert
	128 ó 191	Effet cyclique avec vitesse en augmentation		
	192 ó 255	Effet cyclique inversé avec vitesse en augmentation		

**10CH  
(cont.)**

Canal	Fonction	Valeur	Pourcentage/Paramétrage
5	Rotation de gobo	000 ó 063	Orientation du gobo
		064 ó 147	Effet de rotation avec vitesse en augmentation
		148 ó 231	Effet cyclique inversé avec vitesse en augmentation
		232 ó 255	Rebond du gobo
6	Roue de gobos 2 (Statique)	000 ó 006	Blanc
		007 ó 013	Gobo 1
		014 ó 020	Gobo 2
		021 ó 027	Gobo 3
		028 ó 034	Gobo 4
		035 ó 041	Gobo 5
		042 ó 048	Gobo 6
		049 ó 055	Gobo 7
		056 ó 063	Gobo 8
		064 ó 071	Tremblement du gobo 8, lent à rapide
		072 ó 078	Tremblement du gobo 7, lent à rapide
		079 ó 085	Tremblement du gobo 6, lent à rapide
		086 ó 092	Tremblement du gobo 5, lent à rapide
		093 ó 099	Tremblement du gobo 4, lent à rapide
		100 ó 106	Tremblement du gobo 3, lent à rapide
		107 ó 113	Tremblement du gobo 2, lent à rapide
		114 ó 120	Tremblement du gobo 1, lent à rapide
121 ó 127	Ouvert		
128 ó 191	Effet cyclique avec vitesse en augmentation		
192 ó 255	Effet cyclique inversé avec vitesse en augmentation		
7	Prisme	000 ó 007	Aucune fonction
		008 ó 012	Prisme activé
		013 ó 130	Effet cyclique avec vitesse en augmentation
		131 ó 247	Effet cyclique inversé avec vitesse en augmentation
		248 ó 255	Prisme activé
8	Focus	000 ó 255	0–100%
9	Obturbateur	000 ó 003	Fermé
		004 ó 007	Ouvert
		008 ó 076	Effet stroboscopique synchronisé (vitesse en augmentation)
		077 ó 145	Effet stroboscopique (vitesse en augmentation)
		146 ó 215	Obturbateur aléatoire (vitesse en augmentation)
216 ó 255	Ouvert		
10	Zoom	000 ó 255	0–100%

**Über diese Schnellanleitung** In der Schnellanleitung des Intimidator Spot 455Z IRC finden Sie die wesentlichen Produktinformationen, wie etwa über die Montage, Menüoptionen und DMX-Werte des Geräts. Laden Sie für weiterführende Informationen unter [www.chauvetlighting.com](http://www.chauvetlighting.com) das Benutzerhandbuch herunter.

**Haftungsausschluss** Die in dieser Anleitung aufgeführten Informationen und Spezifikationen können ohne vorherige Ankündigung geändert werden.

**Sicherheitshinweise** Diese Sicherheitshinweise enthalten wichtige Informationen über die Montage, Verwendung und Wartung des Geräts.



- Schließen Sie dieses Produkt NUR an einen mit der Erde verbundenen und geschützten Stromkreis an.
- Trennen Sie das Gerät von der Stromquelle, bevor Sie es reinigen oder die Sicherung auswechseln.
- NIEMALS in die Lichtquelle schauen, während das Gerät eingeschaltet ist.
- Stellen Sie sicher, dass das Netzkabel nicht gequetscht oder beschädigt ist.
- Ziehen Sie beim Trennen des Geräts von der Stromversorgung nie am Kabel.
- Bei Montage über Kopf immer ein Sicherungsseil verwenden.
- KEINE entflammaren Materialien während des Betriebs in der Nähe des Geräts lagern.
- NIEMALS während des Betriebs das Gehäuse berühren, da dies sehr heiß wird.



- Die Spannung der Schukosteckdose, an die Sie das Gerät anschließen, muss sich innerhalb des Spannungsbereiches befinden, der auf dem Hinweisschild oder dem rückwärtigen Bedienfeld des Geräts angegeben ist.
- Dieses Gerät darf nur im Innenbereich verwendet werden. (IP20) Um das Risiko von Bränden oder elektrischen Schlägen zu vermeiden, dürfen Sie das Gerät nicht Regen oder Feuchtigkeit aussetzen.
- Installieren Sie das Gerät an einem Ort mit ausreichender Belüftung und mit einem Abstand von 50 cm zu den angrenzenden Flächen.
- Stellen Sie sicher, dass die Lüftungsöffnungen im Gehäuse des Geräts nicht verschlossen sind.
- Schließen Sie dieses Gerät niemals an einen Dimmer oder Regelwiderstand an.
- Achten Sie beim Auswechseln der Sicherung darauf, den gleichen Typ mit den gleichen Werten zu verwenden.
- Das Gerät NUR an den Hänge-/Befestigungsbügeln tragen.
- Die maximal zulässige Umgebungstemperatur beträgt 40 °C. Nehmen Sie das Gerät nicht bei höheren Temperaturen in Betrieb.
- Bei ernsthaften Betriebsproblemen stoppen Sie umgehend die Verwendung des Geräts.
- Dieses Gerät NICHT öffnen. Die eingebauten Komponenten sind für den Kunden wartungsfrei.
- Um unnötigen Verschleiß zu vermeiden und die Lebensdauer des Geräts zu verlängern, trennen Sie während längerer Perioden des Nichtgebrauchs das Gerät vom Stromnetz – entweder per Trennschalter oder durch Herausziehen des Steckers aus der Steckdose.

**Kontakt** Kunden außerhalb der USA, GB, Irland, Mexiko oder der Benelux-Staaten wenden sich an ihren Lieferanten, um den Kundensupport in Anspruch zu nehmen oder ein Produkt zurückzuschicken. Kontaktinformationen finden Sie unter [www.chauvetlighting.com](http://www.chauvetlighting.com).

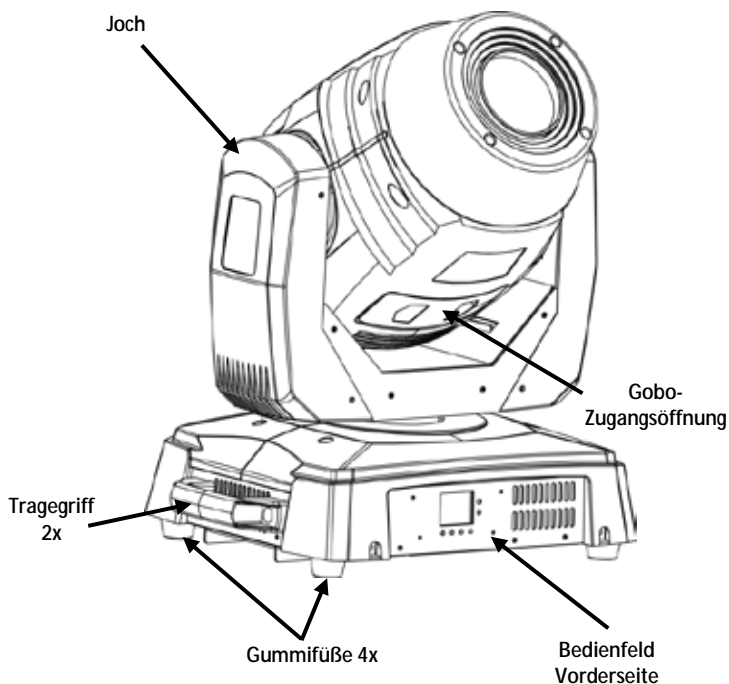
**Packungs-**  
**inhalt**

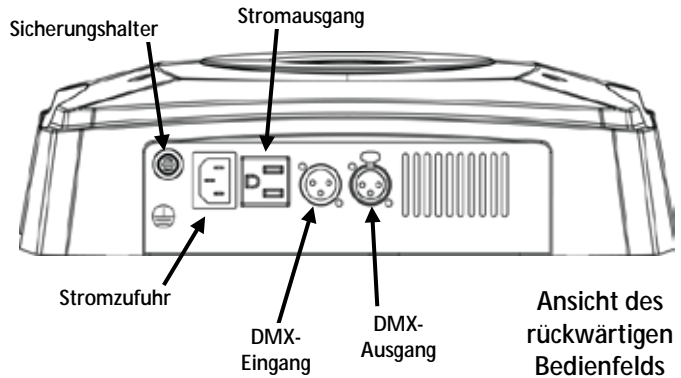
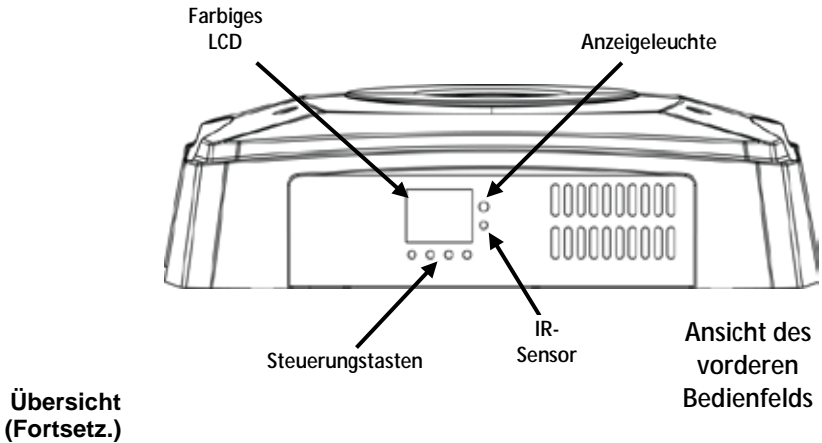
- Intimidator Spot 455Z IRC
- Hängebügel mit Befestigungsmaterial
- Netzkabel
- Garantiekarte
- Schnellanleitung

**Start** Packen Sie den Intimidator Spot 455Z IRC aus und überprüfen Sie, ob Sie alle Teile unbeschädigt erhalten haben. Wenn die Verpackung beschädigt ist, benachrichtigen Sie umgehend das Transportunternehmen, nicht jedoch Chauvet.

**Beschreibung** Der Intimidator Spot 455Z IRC ist ein außergewöhnlich heller LED-Moving Head Punktstrahler mit 180 Watt, der insbesondere für Großereignisse konzipiert wurde. Die kontrastreiche, farbige LCD-Anzeige ermöglicht ein einfaches Navigieren und eine vollständige Textanzeige. Eine leicht zugängliche Gobo-Öffnung ermöglicht einen zügigen Austausch der Gobos. Motorbetriebener Fokus sorgt für scharfe Projektionen unabhängig von der Entfernung. Rotierendes 3-Facetten-Prisma teilt die Strahlen und erzeugt so schöne Effekte; zudem lässt sich mit diesem Gerät eine große Fläche abdecken. Integrierte Effekt-Makros und MIB-Funktion (Bewegung bei Dunkelheit) minimieren die Programmierzeit. Das Gerät besitzt Steuerungsoptionen wie DMX-, Auto-, Musiksteuerungs- und Master/Slave-Modus. Die Schwenkungs- und Neigungsbereiche sind vom Benutzer auswählbar. Mit dem CHS-50 VIP Gear Bag von Chauvet lässt sich der Intimidator Spot 455Z IRC bequem transportieren.

## Übersicht





**Wechselstrom** Dieses Gerät verfügt über ein Vorschaltgerät, das automatisch die anliegende Spannung erkennt, sobald der Netzstecker in die Schukosteckdose gesteckt wird, und kann mit einer Eingangsspannung von 100 bis 240 V AC, 50/60 Hz arbeiten.



### Auswechseln der Sicherung

**Um Verschleiß zu vermeiden und die Lebensdauer des Geräts zu verlängern, trennen Sie während längerer Perioden des Nichtgebrauchs das Gerät vom Stromnetz - entweder per Trennschalter oder durch Herausziehen des Steckers aus der Steckdose.**

1. Trennen Sie das Gerät vom Stromnetz.
2. Mithilfe eines Flachkopfschraubendrehers lösen Sie den Sicherungshalter und ziehen ihn gerade heraus.
3. Entfernen Sie die durchgebrannte Sicherung von der Klemme, und ersetzen Sie diese durch eine Sicherung des gleichen Typs und mit den gleichen Werten.
4. Stecken Sie den Sicherungshalter wieder zurück, und schließen Sie das Gerät an das Stromnetz an.

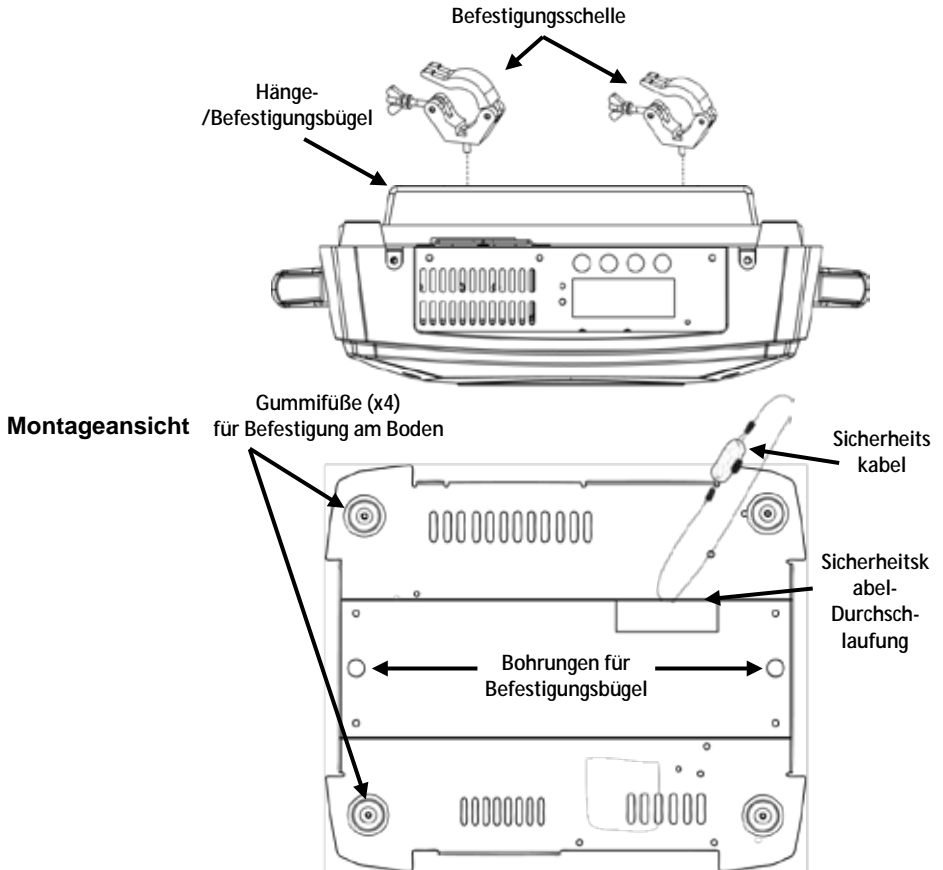


**Infrarot-** Der Intimidator Spot 455Z IRC ist kompatibel mit der IRC-6 von Chauvet.

**Fernbedienung (IRC-6)** Die folgenden Tasten der IRC-6-Fernbedienung werden für den Intimidator Spot 455Z IRC verwendet:

- <**BLACKOUT**> - schaltet die LED ein/aus
- <**AUTO**> - wählt den Auto-Programm-Modus aus (scrollen)
- <**SOUND**> - wählt den Musiksteuerungs-Modus aus
- <**STROBE**> - Stroboskopeffekt (0–20 Hz)
- <**SPEED**> - Geschwindigkeit des Auto-Programms (Schwenkung und Neigung), verlangsamt
- <**SENSITIVITY**> - wählt die Musikempfindlichkeit aus
- <**%**> - LED-Dimmer
- <**MANUAL**> - Goboauswahl
- <**MANUAL**> - Farbauswahl
- <**R**> - Geschwindigkeit der Farbrotaion
- <**R**> - Geschwindigkeit der Gaborotation
- <**B**> - Auto-Modus
- <**A**> - manuelle Einstellung von Schwenkung und Neigung
- <**W**> - Prisma-Effekt
- <**UV**> - Zoom/Fokus
- <**+**> - erhöhen
- <**-**> - senken
- <**0**> bis <**9**> - wählt das Auto-Programm nach der Nummer aus

**Montage** Lesen Sie vor der Montage dieses Geräts in jedem Fall die [Sicherheitshinweise](#). Stellen Sie sicher, dass die Befestigungsklemme dafür ausgelegt ist, das Produktgewicht tragen zu können. Informationen zu unserer Chauvet-Produktlinie für Befestigungsklemmen finden Sie unter [www.chauvetlighting.com](http://www.chauvetlighting.com).



**!** Versichern Sie sich, dass bei Verwendung von nur einer Befestigungsklemme eine Sicherungsschraube zum Einsatz kommt, um ein unbeabsichtigtes Lösen zu verhindern.

Beschreibung des Bedienfeldes	Taste	Funktion
	<MODE>	Damit verlassen Sie das aktuelle Menü oder die Funktion.
	<UP>	Damit navigieren Sie sich durch die Menüpunkte nach oben und erhöhen den numerischen Wert der entsprechenden Funktion.
	<DOWN>	Damit navigieren Sie sich durch die Menüpunkte nach unten und verringern den numerischen Wert der entsprechenden Funktion.
	<ENTER>	Damit wird das aktuell angezeigte Menü aktiviert oder der aktuell ausgewählte Wert einer Funktion eingestellt.

## Menüoptionen

Hauptfunktion	Programmirebenen		Beschreibung	
<b>Address</b>	<b>001–512 (497)</b>		Stellt die DMX-Startadresse ein	
<b>Run Mode</b>	<b>DMX</b>	<b>16CH</b>	Wählt den DMX-Modus aus	
		<b>10CH</b>		
	<b>Slave</b>	<b>Slave 1–4</b>	Wählt den Slave-Modus 1, 2, 3 oder 4 aus	
	<b>Sound</b>		Wählt den Musiksteuerungs-Modus aus	
	<b>Auto</b>		Wählt den Auto-Modus aus	
	<b>IR</b>		Wählt eine Infrarot-Steuerung	
	<b>Manual</b>	<b>000–255</b>	<b>Pan</b>	0 bis 540°
			<b>Pan Fine</b>	Feinkontrolle der Schwenkung
			<b>Tilt</b>	0 bis 270°
			<b>Tilt Fine</b>	Feinkontrolle der Neigung
			<b>P/T Speed</b>	Geschwindigkeit der Schwenkungs- und Neigungsbewegung (schnell bis langsam)
			<b>Color</b>	Wählt Farboptionen aus
			<b>Gobo</b>	Wählt Gobooptionen aus
			<b>Gobo Rotation</b>	Rotationseffekt mit sich erhöhender Geschwindigkeit
			<b>Prism</b>	Wählt 3-Facetten-Prisma aus
			<b>Dimmer</b>	Stellt den Dimmerwert ein
			<b>Shutter</b>	Stroboskopeffekt mit sich erhöhender Geschwindigkeit
<b>Special Function</b>	Wählt Steuerungsfunktionen aus			
<b>P/T Macro</b>	Wählt Makros für Schwenkungs-/Neigungsbewegung aus			
<b>Setup</b>	<b>Pan Reverse</b>	<b>OFF</b>	Normaler Schwenk-Modus	
		<b>ON</b>	Umgekehrter Schwenk-Modus	
	<b>Tilt Reverse</b>	<b>OFF</b>	Normaler Neigungs-Modus	
		<b>ON</b>	Umgekehrter Neigungs-Modus	
	<b>Screen Reverse</b>	<b>OFF</b>	Normale Anzeige	
		<b>ON</b>	Umgekehrte Anzeige	
	<b>Pan Angle</b>	<b>540</b>	Wählt den 540°-Schwenkwinkelbereich aus	
		<b>360</b>	Wählt den 360°-Schwenkwinkelbereich aus	
		<b>180</b>	Wählt den 180°-Schwenkwinkelbereich aus	
	<b>Tilt Angle</b>	<b>270</b>	Wählt den 270°-Neigungswinkelbereich aus	
		<b>180</b>	Wählt den 180°-Neigungswinkelbereich aus	
		<b>090</b>	Wählt den 90°-Neigungswinkelbereich aus	
	<b>Totem</b>	<b>Up</b>	Wählt den Schwenkungs- und Neigungsbereich nach oben aus	
		<b>Down</b>	Wählt den Schwenkungs- und Neigungsbereich nach unten aus	
<b>Sensitivity</b>	<b>001–100</b>	Einstellknopf für Musikempfindlichkeit		
<b>Reset</b>		Setzt das Gerät zurück		
<b>Factory Set</b>		Lädt Werkseinstellung		

Hauptfunktion	Programmirebenen	Beschreibung
Sys Info	Ver: VX.X	Zeigt die Software-Version an
	Running Mode: XXXXX	Zeigt den aktuellen Betriebsmodus an
	DmxAddress: XXX	Zeigt die aktuelle DMX-Adresse an
	Temperature: XXX	Zeigt die LED-Temperatur in Grad Celsius an

**DMX-Verbindung** Der Intimidator Spot 455 IRC kann mit einem DMX-Controller betrieben werden, wenn eine DMX-Reihenschaltung zum Einsatz kommt. Anweisungen zum Zusammenschluss und der Konfiguration dieses Geräts für den Betrieb im DMX-Modus finden Sie im Benutzerhandbuch. Wenn Sie mit DMX nicht vertraut sind, laden Sie "DMX - Eine Einführung" unter [www.chauvetlighting.com](http://www.chauvetlighting.com) herunter.

**Startadresse** Um einen vollständigen Zugang zu allen Kanälen in jedem DMX-Modus zu gewährleisten, beträgt die höchste empfohlene DMX-Adresse **497**.

**Master/Slave-Schaltung** Der Intimidator Spot 455 IRC verwendet für seinen Master/Slave-Modus eine DMX-Datenverbindung. Anweisungen zum Zusammenschluss und der Konfiguration dieses Geräts für den Betrieb im Master/Slave-Modus finden Sie im Benutzerhandbuch.

**Farbrad**



**Goborad 1**



**Goborad 2**



## DMX-Werte

16CH	Kanal	Funktion	Wert	Prozent/Einstellung
	1	Schwenkung	000 ó 255	0 bis 540°
	2	Schwenkung fein	000 ó 255	Feinkontrolle der Schwenkung
	3	Neigung	000 ó 255	0 bis 270°
	4	Neigung fein	000 ó 255	Feinkontrolle der Neigung
	5	Geschwindigkeit	000 ó 255	Geschwindigkeit der Schwenkungs- und Neigungsbewegung (schnell bis langsam)
	6	Farbrad	000 ó 007	weiß
			008 ó 015	Dunkelblau
			016 ó 023	gelb
			024 ó 031	rosa
			032 ó 039	grün
			040 ó 047	rot
			048 ó 055	hellblau
			056 ó 063	orange
			064 ó 071	dunkelblau + weiß
			072 ó 079	gelb + blau
			080 ó 087	gelb + rosa
			088 ó 095	rosa + grün
			096 ó 103	grün + rot
			104 ó 111	rot + hellblau
			112 ó 119	hellblau + orange
			120 ó 127	orange + weiß
	128 ó 191	Regenbogenfarben kreiseln mit sich erhöhender Geschwindigkeit		
	192 ó 255	Regenbogenfarben kreiseln umgekehrt mit erhöhter Geschwindigkeit		
	7	Goborad 1	000 ó 007	weiß
			008 ó 015	Gobo 1
			016 ó 023	Gobo 2
			024 ó 031	Gobo 3
			032 ó 039	Gobo 4
			040 ó 047	Gobo 5
			048 ó 055	Gobo 6
			056 ó 063	Gobo 7
			064 ó 071	Gobo 7 Shake, langsam bis schnell
			072 ó 079	Gobo 6 Shake, langsam bis schnell
			080 ó 087	Gobo 5 Shake, langsam bis schnell
			088 ó 095	Gobo 4 Shake, langsam bis schnell
			096 ó 103	Gobo 3 Shake, langsam bis schnell
			104 ó 111	Gobo 2 Shake, langsam bis schnell
			112 ó 119	Gobo 1 Shake, langsam bis schnell
			120 ó 127	Offen
	128 ó 191	Kreiseffekt mit sich erhöhender Geschwindigkeit		
	192 ó 255	Umgekehrter Kreiseffekt mit sich vermindender Geschwindigkeit		

## DMX-Werte (Fortsetzung)

16CH (Fortz.)	Kanal	Funktion	Wert	Prozent/Einstellung
8	Gobo-Rotation	000 ◊ 063	Goboausrichtung	
		064 ◊ 147	Rotationseffekt mit sich erhöhender Geschwindigkeit	
		148 ◊ 231	Umgekehrter Rotationseffekt mit sich erhöhender Geschwindigkeit	
		232 ◊ 255	Gobo-Bounce-Effekt	
9	Goborad 2 (Statisch)	000 ◊ 006	weiß	
		007 ◊ 013	Gobo 1	
		014 ◊ 020	Gobo 2	
		021 ◊ 027	Gobo 3	
		028 ◊ 034	Gobo 4	
		035 ◊ 041	Gobo 5	
		042 ◊ 048	Gobo 6	
		049 ◊ 055	Gobo 7	
		056 ◊ 063	Gobo 8	
		064 ◊ 071	Gobo 8 Shake, langsam bis schnell	
		072 ◊ 078	Gobo 7 Shake, langsam bis schnell	
		079 ◊ 085	Gobo 6 Shake, langsam bis schnell	
		086 ◊ 092	Gobo 5 Shake, langsam bis schnell	
		093 ◊ 099	Gobo 4 Shake, langsam bis schnell	
		100 ◊ 106	Gobo 3 Shake, langsam bis schnell	
		107 ◊ 113	Gobo 2 Shake, langsam bis schnell	
114 ◊ 120	Gobo 1 Shake, langsam bis schnell			
121 ◊ 127	Offen			
128 ◊ 191	Kreiseffekt mit sich erhöhender Geschwindigkeit			
192 ◊ 255	Umgekehrter Kreiseffekt mit sich vermindernder Geschwindigkeit			
10	Prisma	000 ◊ 007	Keine Funktion	
		008 ◊ 012	Prisma ein	
		013 ◊ 130	Kreiseffekt mit sich erhöhender Geschwindigkeit	
		131 ◊ 247	Umgekehrter Kreiseffekt mit sich vermindernder Geschwindigkeit	
		248 ◊ 255	Prisma ein	
11	Fokus	000 ◊ 255	0–100%	
12	Dimmer	000 ◊ 255	0–100%	
13	Shutter	000 ◊ 003	Geschlossen	
		004 ◊ 007	Offen	
		008 ◊ 076	Synchronisierter Stroboskopeffekt (sich vermindernde Geschwindigkeit)	
		077 ◊ 145	Stroboskopeffekt (sich erhöhende Geschwindigkeit)	
		146 ◊ 215	Zufalls-Shutter (sich erhöhende Geschwindigkeit)	
		216 ◊ 255	Offen	

## DMX-Werte (Fortsetzung)

16CH (Fortz.)	Kanal	Funktion	Wert	Prozent/Einstellung
14	Steuer- funktionen	000 ó 007	Keine Funktion	
		008 ó 015	Verdunkelung während der Schwenkungs- und Neigungsbewegung	
		016 ó 023	Verdunkelung während der Bewegung des Farbrades	
		024 ó 031	Verdunkelung während der Bewegung des Goborades	
		032 ó 039	Verdunkelung während der Schwenkungs- und Neigungsbewegung und Bewegung des Farbrades	
		040 ó 047	Verdunkelung während der Schwenkungs- und Neigungsbewegung und Bewegung des Goborades	
		048 ó 055	Verdunkelung während der Schwenkungs- und Neigungsbewegung und Bewegung des Gobo-/Farbrades deaktivieren	
		056 ó 087	Keine Funktion	
		088 ó 095	Schwenkung zurücksetzen	
		096 ó 103	Neigung zurücksetzen	
		104 ó 111	Keine Funktion	
		112 ó 119	Farbrad zurücksetzen	
		120 ó 127	Goborad zurücksetzen	
		128 ó 135	Gobo-Rotation zurücksetzen	
		136 ó 143	Prisma zurücksetzen	
		144 ó 151	Fokus zurücksetzen	
		152 ó 159	Alle Kanäle zurücksetzen	
		160 ó 167	Zoom zurücksetzen	
		168 ó 175	Statisches Gobo zurücksetzen	
176 ó 255	Keine Funktion			
15	Bewegungs- makros	000 ó 007	Keine Funktion	
		008 ó 023	Automatische Bewegung 1	
		024 ó 039	Automatische Bewegung 2	
		040 ó 055	Automatische Bewegung 3	
		056 ó 071	Automatische Bewegung 4	
		072 ó 087	Automatische Bewegung 5	
		088 ó 103	Automatische Bewegung 6	
		104 ó 119	Automatische Bewegung 7	
		120 ó 135	Automatische Bewegung 8	
		136 ó 151	Musikgesteuerte Bewegung 1	
		152 ó 167	Musikgesteuerte Bewegung 2	
		168 ó 183	Musikgesteuerte Bewegung 3	
		184 ó 199	Musikgesteuerte Bewegung 4	
		200 ó 215	Musikgesteuerte Bewegung 5	
		216 ó 231	Musikgesteuerte Bewegung 6	
		232 ó 247	Musikgesteuerte Bewegung 7	
248 ó 255	Musikgesteuerte Bewegung 8			
16	Zoom	000 ó 255	0–100%	

**DMX-Werte (Fortsetzung)**

10CH	Kanal	Funktion	Wert	Prozent/Einstellung
	1	Schwenkung	000 ◊ 255	0 bis 540°
	2	Neigung	000 ◊ 255	0 bis 270°
	3	Farbrad	000 ◊ 007	weiß
			008 ◊ 015	Dunkelblau
			016 ◊ 023	gelb
			024 ◊ 031	rosa
			032 ◊ 039	grün
			040 ◊ 047	rot
			048 ◊ 055	hellblau
			056 ◊ 063	orange
			064 ◊ 071	dunkelblau + weiß
			072 ◊ 079	gelb + blau
			080 ◊ 087	gelb + rosa
			088 ◊ 095	rosa + grün
			096 ◊ 103	grün + rot
			104 ◊ 111	rot + hellblau
			112 ◊ 119	hellblau + orange
			120 ◊ 127	orange + weiß
			128 ◊ 191	Regenbogenfarben kreiseln mit sich erhöhender Geschwindigkeit
	192 ◊ 255	Regenbogenfarben kreiseln umgekehrt mit erhöhter Geschwindigkeit		
	4	Goborad 1	000 ◊ 007	weiß
			008 ◊ 015	Gobo 1
			016 ◊ 023	Gobo 2
			024 ◊ 031	Gobo 3
			032 ◊ 039	Gobo 4
			040 ◊ 047	Gobo 5
			048 ◊ 055	Gobo 6
			056 ◊ 063	Gobo 7
			064 ◊ 071	Gobo 7 Shake, langsam bis schnell
			072 ◊ 079	Gobo 6 Shake, langsam bis schnell
			080 ◊ 087	Gobo 5 Shake, langsam bis schnell
			088 ◊ 095	Gobo 4 Shake, langsam bis schnell
			096 ◊ 103	Gobo 3 Shake, langsam bis schnell
			104 ◊ 111	Gobo 2 Shake, langsam bis schnell
			112 ◊ 119	Gobo 1 Shake, langsam bis schnell
			120 ◊ 127	Offen
			128 ◊ 191	Kreiseffekt mit sich erhöhender Geschwindigkeit
	192 ◊ 255	Umgekehrter Kreiseffekt mit sich vermindender Geschwindigkeit		



**DMX-Werte (Fortsetzung)****10CH  
(Fortz.)**

Kanal	Funktion	Wert	Prozent/Einstellung
5	Gobo-Rotation	000 ó 063	Goboausrichtung
		064 ó 147	Rotationseffekt mit sich erhöhender Geschwindigkeit
		148 ó 231	Umgekehrter Rotationseffekt mit sich erhöhender Geschwindigkeit
		232 ó 255	Gobo-Bounce-Effekt
6	Goborad 2 (Statisch)	000 ó 006	weiß
		007 ó 013	Gobo 1
		014 ó 020	Gobo 2
		021 ó 027	Gobo 3
		028 ó 034	Gobo 4
		035 ó 041	Gobo 5
		042 ó 048	Gobo 6
		049 ó 055	Gobo 7
		056 ó 063	Gobo 8
		064 ó 071	Gobo 8 Shake, langsam bis schnell
		072 ó 078	Gobo 7 Shake, langsam bis schnell
		079 ó 085	Gobo 6 Shake, langsam bis schnell
		086 ó 092	Gobo 5 Shake, langsam bis schnell
		093 ó 099	Gobo 4 Shake, langsam bis schnell
		100 ó 106	Gobo 3 Shake, langsam bis schnell
		107 ó 113	Gobo 2 Shake, langsam bis schnell
		114 ó 120	Gobo 1 Shake, langsam bis schnell
		121 ó 127	Offen
128 ó 191	Kreiseffekt mit sich erhöhender Geschwindigkeit		
192 ó 255	Umgekehrter Kreiseffekt mit sich vermindernder Geschwindigkeit		
7	Prisma	000 ó 007	Keine Funktion
		008 ó 012	Prisma ein
		013 ó 130	Kreiseffekt mit sich erhöhender Geschwindigkeit
		131 ó 247	Umgekehrter Kreiseffekt mit sich vermindernder Geschwindigkeit
		248 ó 255	Prisma ein
8	Fokus	000 ó 255	0–100%
9	Shutter	000 ó 003	Geschlossen
		004 ó 007	Offen
		008 ó 076	Synchronisierter Stroboskopeffekt (sich vermindernde Geschwindigkeit)
		077 ó 145	Stroboskopeffekt (sich erhöhende Geschwindigkeit)
		146 ó 215	Zufalls-Shutter (sich erhöhende Geschwindigkeit)
10	Zoom	216 ó 255	Offen
		000 ó 255	0–100%

**Informazioni sulla Guida** La Guida Rapida di Intimidator Spot 455Z IRC contiene informazioni di base sul prodotto quali montaggio, opzioni menù e valori DMX. Per maggiori dettagli, scaricare il Manuale Utente dal sito [www.chauvetlighting.com](http://www.chauvetlighting.com)

**Esclusione di responsabilità** Le informazioni e le specifiche contenute in questa guida possono essere modificate senza preavviso.

**Note di Sicurezza** Le Note di Sicurezza includono informazioni importanti circa il montaggio, l'uso e la manutenzione.



- Collegare questa unità **SOLTANTO** ad un circuito dotato di messa a terra e protetto.
- Prima di effettuare la pulizia o sostituire il fusibile, scollegare sempre l'unità dall'alimentazione elettrica.
- **NON** guardare la sorgente luminosa quando l'unità è in funzione.
- Assicurarsi che il cavo di alimentazione non sia piegato o danneggiato.
- Non scollegare mai questa apparecchiatura dall'alimentazione elettrica tirando il cavo.
- Per il montaggio in alto dell'unità utilizzare **SEMPRE** un cavo di sicurezza.
- **NON** collocare materiale infiammabile vicino all'unità mentre è in funzione.
- **NON** toccare l'unità durante il funzionamento perché potrebbe essere molto calda.



- La tensione della presa a muro cui si collega l'apparecchiatura deve trovarsi entro il campo specificato sull'etichetta o sul pannello posteriore.
- Questa apparecchiatura deve essere utilizzata soltanto in interni (IP20)! Per evitare il rischio di incendio o di folgorazione non esporre l'apparecchiatura alla pioggia o all'umidità.
- Montare sempre l'unità in posizione ben ventilata, ad almeno 50 cm. (20") da qualsiasi superficie.
- Assicurarsi che nessuna apertura di ventilazione dell'unità sia ostruita.
- Non collegare mai ad un dimmer o ad un reostato
- Sostituire il fusibile con un altro dello stesso tipo e classe.
- Prendere e trasportare l'unità **SOLTANTO** dalla staffa per il montaggio sospeso.
- Massima temperatura ambiente ammessa: 40 °C (104 °F). Non utilizzare l'apparecchiatura a temperature superiori.
- In caso di gravi problemi di funzionamento sospendere immediatamente l'utilizzo.
- **NON** aprire l'unità. Non contiene parti riparabili dall'utente.
- Per evitarne l'eccessiva usura e migliorarne la durata nel tempo, scollegare l'unità dalla presa elettrica o disattivare l'alimentazione tramite l'apposito interruttore, se inutilizzata per lunghi periodi.

**Contatti** Per richiedere assistenza o restituire l'apparecchiatura, al di fuori di Stati Uniti, Regno Unito, Irlanda, Messico o Benelux contattare il distributore locale. Per informazioni sui contatti, visitare il sito Web [www.chauvetlighting.com](http://www.chauvetlighting.com).

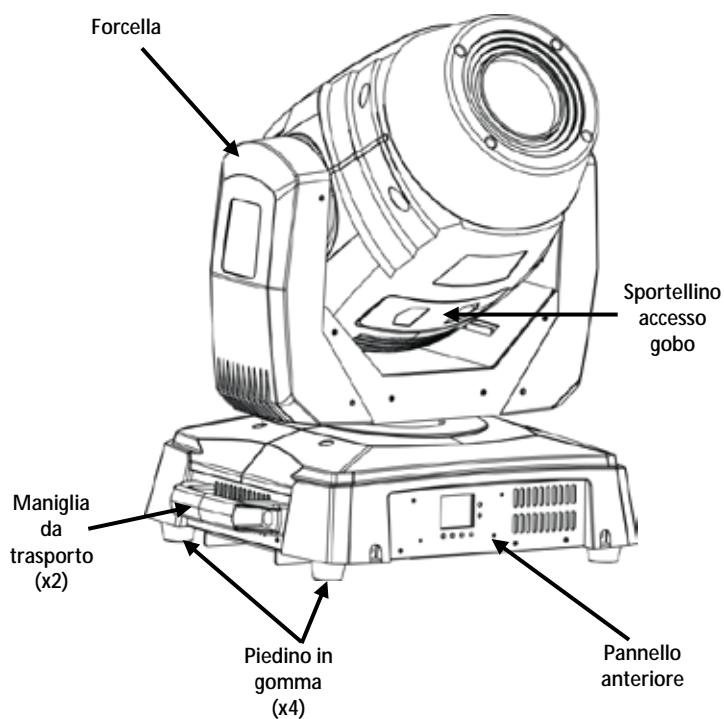
**Che cosa è incluso**

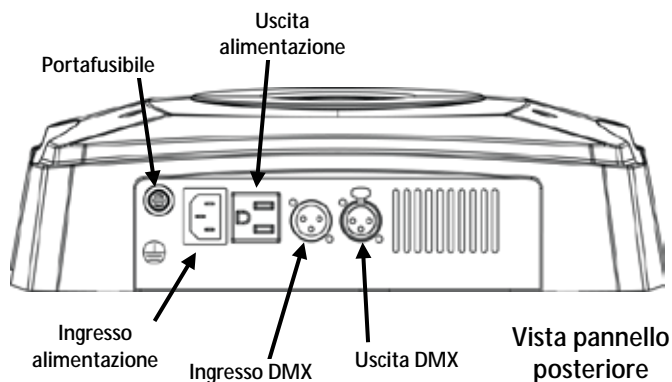
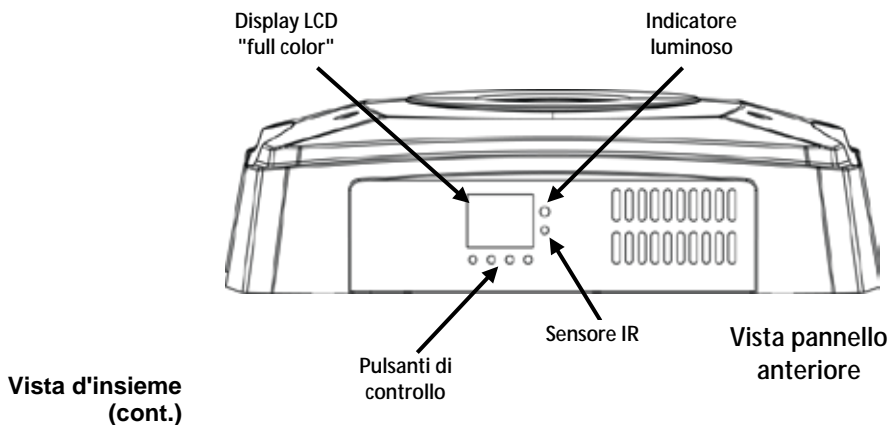
- Intimidator Spot 455Z IRC
- Cavo di alimentazione
- Staffa per montaggio sospeso con relativi accessori
- Scheda di garanzia
- Guida Rapida

**Per iniziare** Disimballare Intimidator Spot 455Z IRC ed accertarsi di aver ricevuto tutti i componenti integri. Se l'imballo appare danneggiato, farlo immediatamente presente al trasportatore e non a Chauvet.

**Descrizione** Intimidator Spot 455Z IRC è un luminosissimo proiettore testa mobile a LED da 180 W, progettato per grandi eventi. È dotato di schermo LCD full color a contrasto elevato per facile navigazione e visualizzazione completa del testo. Il comodo sportellino di accesso consente la rapida sostituzione del gobo. La messa a fuoco motorizzata consente la proiezione di nitida praticamente a qualsiasi distanza. Il prisma rotante a 3 facce che suddivide il fascio luminoso consente di creare eccezionali effetti su un'area molto ampia. Le macro effetti integrate e la funzione move-in-black consentono di ridurre il tempo di programmazione. Le opzioni di funzionamento includono programmi automatici e ad attivazione sonora, DMX e modalità Master/Slave. Gli angoli di rotazione e brandeggio sono selezionabili dall'utente. Intimidator Spot 455Z IRC è adatto alla borsa CHS-50 VIP di Chauvet.

Vista d'insieme





**Alimentazione** Questa apparecchiatura è dotata di alimentatore a commutazione automatica con tensione in ingresso di 100~240 V CC - 50/60 Hz.

**CA**



**Sostituzione fusibile**

**Per evitarne l'eccessiva usura e migliorarne la durata nel tempo, scollegare l'unità dalla presa elettrica o disattivare l'alimentazione tramite l'apposito interruttore, se inutilizzata per lunghi periodi.**

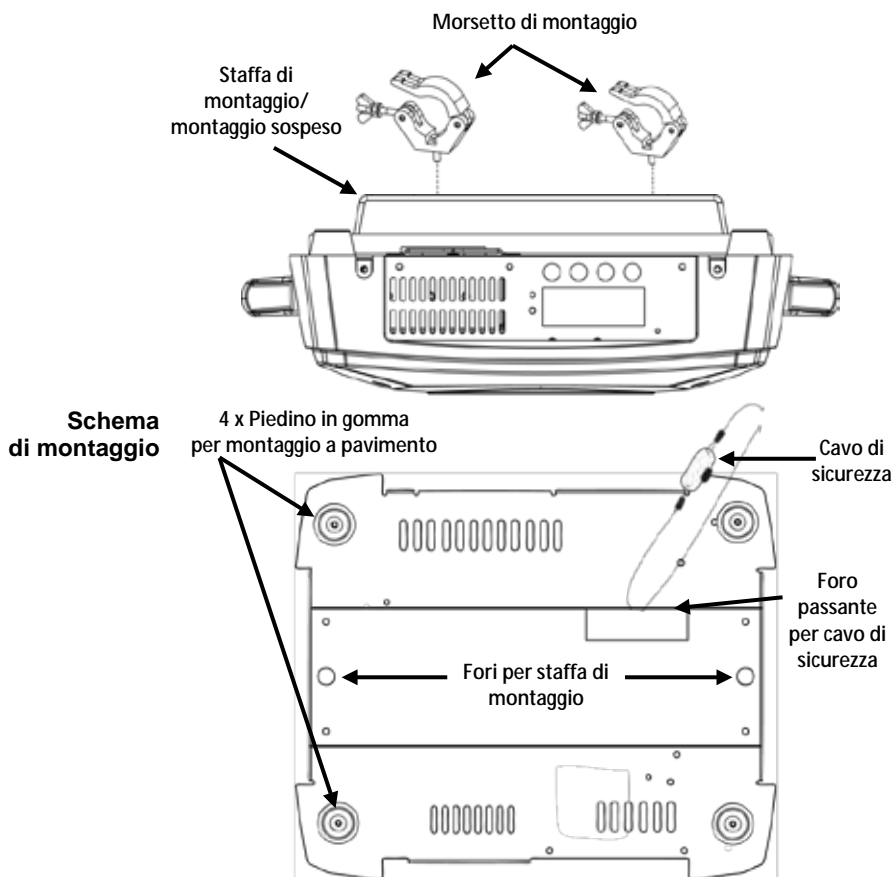
1. Scollegare l'alimentazione elettrica dall'unità.
2. Utilizzando un giravite a testa piatta, allentare il portafusibile e tirarlo verso l'esterno.
3. Rimuovere il fusibile bruciato e sostituirlo con uno identico.
4. Reinscrivere il portafusibile e ricollegare l'alimentazione elettrica.

**Telecomando a infrarossi (IRC-6)** Intimidator Spot 455Z IRC è compatibile con il telecomando a infrarossi IRC-6 di Chauvet.

Con Intimidator Spot 455Z vengono utilizzati i seguenti pulsanti del telecomando:

- <**BLACKOUT**> - Attiva e disattiva i LED
- <**AUTO**> - Seleziona la modalità programma automatico (scorrimento)
- <**SOUND**> - Seleziona la modalità Attivazione sonora
- <**STROBE**> - Attiva lo strobo (0–20 Hz)
- <**SPEED**> - Velocità programma automatico rotazione/brandeggio (decrescente)
- <**SENSITIVITY**> - Seleziona la sensibilità sonora
- <**%**> - Dimmer LED
- <**MANUAL**> - Selezione gobo
- <**FADE**> - Selezione colore
- <**R**> - Velocità di rotazione ruota colore
- <**R**> - Velocità di rotazione gobo
- <**B**> - Modalità automatica
- <**A**> - Regolazione manuale rotazione/brandeggio
- <**W**> - Effetto prisma
- <**UV**> - Zoom/Messa a fuoco
- <**+**> - Aumento
- <**-**> - Diminuzione
- Da <**0**> a <**9**> - Selezione programma automatico in base al numero

**Montaggio** Prima di montare l'unità, leggere le [Note di Sicurezza](#). Assicurarsi che il morsetto di montaggio sia in grado di sostenere il peso dell'unità. Per la linea di morsetti di montaggio, visitare il sito Web [www.chauvetlighting.com](http://www.chauvetlighting.com).



**!** Quando si utilizza un solo morsetto di montaggio, assicurarsi di utilizzarne uno con grigioniero per evitare che si allenti accidentalmente.

## Descrizione del pannello di controllo

Pulsante	Funzione
<MODE>	Consente di uscire dal menù o dalla funzione corrente.
<UP>	Consente di spostarsi verso l'alto nell'elenco menù e di aumentare il valore numerico all'interno di una funzione.
<DOWN>	Consente di spostarsi verso il basso nell'elenco menù e di diminuire il valore numerico all'interno di una funzione.
<ENTER>	Consente di attivare il menù visualizzato o impostare il valore selezionato nella funzione selezionata.

## Opzioni del menù

Funzioni principali	Livelli di programmazione		Descrizione	
Address	001–512 (497)		Imposta l'indirizzo DMX iniziale	
Run Mode	DMX	16CH	Seleziona la modalità DMX	
		10CH		
	Slave	Slave 1–4	Seleziona la modalità Slave 1, 2, 3 oppure 4	
	Sound		Seleziona la modalità Attivazione sonora	
	Auto		Seleziona la modalità Automatica	
	IR		Seleziona il controllo a infrarossi	
	Manual	000–255	Pan	da 0 a 540°
			Pan Fine	Controllo fine della rotazione
			Tilt	da 0 a 270°
			Tilt Fine	Controllo fine del brandeggio
			P/T Speed	Velocità rotazione/brandeggio (da rapida a lenta)
			Color	Seleziona le opzioni colore
			Gobo	Seleziona le opzioni gobo
			Gobo Rotation	Effetto rotazione a velocità crescente
			Prism	Seleziona il prisma a 3 facce
			Dimmer	Imposta il valore dimmer
			Shutter	Effetto stroboscopio a velocità crescente
Special Function			Seleziona le funzioni di controllo	
P/T Macro	Seleziona le macro di rotazione/brandeggio			
Setup	Pan Reverse	OFF	Funzionamento in rotazione normale	
		ON	Funzionamento in rotazione inversa	
	Tilt Reverse	OFF	Funzionamento in brandeggio normale	
		ON	Funzionamento in brandeggio inverso	
	Screen Reverse	OFF	Visualizzazione normale	
		ON	Visualizzazione inversa	
	Pan Angle	540	Seleziona l'angolo di rotazione 540°	
		360	Seleziona l'angolo di rotazione 360°	
		180	Seleziona l'angolo di rotazione 180°	
	Tilt Angle	270	Seleziona l'angolo di brandeggio di 270°	
		180	Seleziona l'angolo di brandeggio di 180°	
		090	Seleziona l'angolo di brandeggio di 90°	
	Totem	Up	Seleziona l'angolo di rotazione e brandeggio verso l'alto	
		Down	Seleziona l'angolo di rotazione e brandeggio verso il basso	
	Sensitivity	001–100	Controllo sensibilità sonora	
Reset		Reimposta l'unità		
Factory Set		Carica le impostazioni standard		

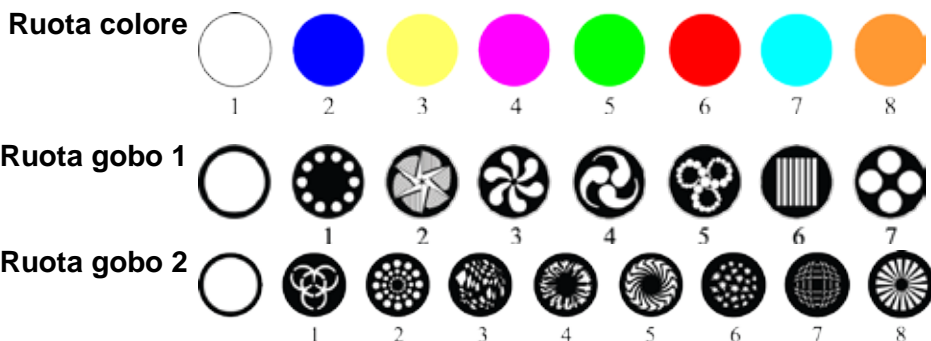


Funzioni principali	Livelli di programmazione	Descrizione
Sys Info	<b>Ver: VX.X</b>	Visualizza la versione del software
	<b>Running Mode: XXXXX</b>	Visualizza la modalità di funzionamento corrente
	<b>DmxAddress: XXX</b>	Visualizza l'indirizzo DMX corrente
	<b>Temperature: XXX</b>	Visualizza la temperatura LED in gradi Celsius

**Collegamento DMX** Intimidator Spot 455Z IRC può funzionare con un controller DMX quando collegato tramite connessioni seriali DMX. Le istruzioni per il collegamento e la configurazione di questa unità sono contenute nel Manuale Utente. Se non si ha familiarità con il DMX, scaricare DMX Primer all'indirizzo [www.chauvetlighting.com](http://www.chauvetlighting.com).

**Indirizzo iniziale** Per assicurare il completo accesso a tutti i canali in ciascuna modalità DMX, l'indirizzo maggiormente raccomandato è **497**.

**Collegamento Master/Slave** In modalità Master/Slave, Intimidator Spot 455Z IRC utilizza il collegamento dati DMX. Le istruzioni per il collegamento e la configurazione di questa unità per il funzionamento Master/Slave sono contenute nel Manuale Utente.



## Valori DMX

16CH	Canale	Funzione	Valore	Percentuale/Impostazione
	1	Rotazione	000 ó 255	da 0 a 540°
	2	Rotazione fine	000 ó 255	Controllo fine della rotazione
	3	Brandeggio	000 ó 255	da 0 a 270°
	4	Brandeggio fine	000 ó 255	Controllo fine del brandeggio
	5	Velocità	000 ó 255	Velocità rotazione/brandeggio (da rapida a lenta)
	6	Ruota colore	000 ó 007	Bianco
			008 ó 015	Blu scuro
			016 ó 023	Giallo
			024 ó 031	Rosa
			032 ó 039	Verde
			040 ó 047	Rosso
			048 ó 055	Blu chiaro
			056 ó 063	Arancio
			064 ó 071	Blu scuro + Bianco
			072 ó 079	Giallo + Blu
			080 ó 087	Giallo + Rosa
			088 ó 095	Rosa + Verde
			096 ó 103	Verde + Rosso
			104 ó 111	Rosso + Blu chiaro
			112 ó 119	Azzurro + Arancione
			120 ó 127	Arancione + Bianco
	128 ó 191	Arcobaleno di colori ciclico a velocità crescente		
	192 ó 255	Arcobaleno di colori inverso a velocità crescente		
	7	Ruota gobo 1	000 ó 007	Bianco
			008 ó 015	Gobo 1
			016 ó 023	Gobo 2
			024 ó 031	Gobo 3
			032 ó 039	Gobo 4
			040 ó 047	Gobo 5
			048 ó 055	Gobo 6
			056 ó 063	Gobo 7
			064 ó 071	Oscillazione gobo 7, da lenta a veloce
			072 ó 079	Oscillazione gobo 6, da lenta a veloce
			080 ó 087	Oscillazione gobo 5, da lenta a veloce
			088 ó 095	Oscillazione gobo 4, da lenta a veloce
			096 ó 103	Oscillazione gobo 3, da lenta a veloce
			104 ó 111	Oscillazione gobo 2, da lenta a veloce
			112 ó 119	Oscillazione gobo 1, da lenta a veloce
			120 ó 127	Aperto
	128 ó 191	Effetto ciclico a velocità crescente		
	192 ó 255	Effetto ciclico inverso a velocità crescente		

## Valori DMX (cont.)

16CH (cont.)	Canale	Funzione	Valore	Percentuale/Impostazione
8	Rotazione gobo	000 ó 063	Orientamento gobo	
		064 ó 147	Effetto rotazione a velocità crescente	
		148 ó 231	Effetto rotazione inversa a velocità crescente	
		232 ó 255	Oscillazione gobo	
9	Ruota gobo 2 (Statico)	000 ó 006	Bianco	
		007 ó 013	Gobo 1	
		014 ó 020	Gobo 2	
		021 ó 027	Gobo 3	
		028 ó 034	Gobo 4	
		035 ó 041	Gobo 5	
		042 ó 048	Gobo 6	
		049 ó 055	Gobo 7	
		056 ó 063	Gobo 8	
		064 ó 071	Oscillazione gobo 8, da lenta a veloce	
		072 ó 078	Oscillazione gobo 7, da lenta a veloce	
		079 ó 085	Oscillazione gobo 6, da lenta a veloce	
		086 ó 092	Oscillazione gobo 5, da lenta a veloce	
		093 ó 099	Oscillazione gobo 4, da lenta a veloce	
		100 ó 106	Oscillazione gobo 3, da lenta a veloce	
		107 ó 113	Oscillazione gobo 2, da lenta a veloce	
		114 ó 120	Oscillazione gobo 1, da lenta a veloce	
121 ó 127	Aperto			
128 ó 191	Effetto ciclico a velocità crescente			
192 ó 255	Effetto ciclico inverso a velocità crescente			
10	Prisma	000 ó 007	Nessuna funzione	
		008 ó 012	Prisma acceso	
		013 ó 130	Effetto ciclico a velocità crescente	
		131 ó 247	Effetto ciclico inverso a velocità crescente	
		248 ó 255	Prisma acceso	
11	Messa a fuoco	000 ó 255	0-100%	
12	Dimmer	000 ó 255	0-100%	
13	Otturatore	000 ó 003	Chiuso	
		004 ó 007	Aperto	
		008 ó 076	Effetto strobo sincronizzato (velocità crescente)	
		077 ó 145	Effetto strobo (velocità crescente)	
		146 ó 215	Otturatore casuale (velocità crescente)	
		216 ó 255	Aperto	

## Valori DMX (cont.)

16CH (cont.)	Canale	Funzione	Valore	Percentuale/Impostazione
14	14	Funzioni di controllo	000 ó 007	Nessuna funzione
			008 ó 015	Blackout durante rotazione/brandeggio
			016 ó 023	Oscuramento durante movimento ruota colore
			024 ó 031	Blackout durante movimento ruota gobo
			032 ó 039	Blackout durante rotazione/brandeggio/movimento ruota colore
			040 ó 047	Blackout durante rotazione/brandeggio/movimento ruota gobo
			048 ó 055	Disattivazione blackout durante rotazione/brandeggio/movimento gobo/movimento ruota colore
			056 ó 087	Nessuna funzione
			088 ó 095	Reimpostazione rotazione
			096 ó 103	Reimpostazione brandeggio
			104 ó 111	Nessuna funzione
			112 ó 119	Reimpostazione ruota colore
			120 ó 127	Reimpostazione ruota gobo
			128 ó 135	Reimpostazione rotazione gobo
			136 ó 143	Reimpostazione prisma
			144 ó 151	Reimpostazione messa a fuoco
			152 ó 159	Reimpostazione di tutti i canali
			160 ó 167	Reimpostazione zoom
			168 ó 175	Reimpostazione gobo statico
176 ó 255	Nessuna funzione			
15	15	Macro di movimento	000 ó 007	Nessuna funzione
			008 ó 023	Movimento automatico 1
			024 ó 039	Movimento automatico 2
			040 ó 055	Movimento automatico 3
			056 ó 071	Movimento automatico 4
			072 ó 087	Movimento automatico 5
			088 ó 103	Movimento automatico 6
			104 ó 119	Movimento automatico 7
			120 ó 135	Movimento automatico 8
			136 ó 151	Movimento ad attivazione sonora 1
			152 ó 167	Movimento ad attivazione sonora 2
			168 ó 183	Movimento ad attivazione sonora 3
			184 ó 199	Movimento ad attivazione sonora 4
			200 ó 215	Movimento ad attivazione sonora 5
			216 ó 231	Movimento ad attivazione sonora 6
232 ó 247	Movimento ad attivazione sonora 7			
248 ó 255	Movimento ad attivazione sonora 8			
16	16	Zoom	000 ó 255	0-100%

## Valori DMX (cont.)

10CH	Canale	Funzione	Valore	Percentuale/Impostazione
	1	Rotazione	000 ó 255	da 0 a 540°
	2	Brandeggio	000 ó 255	da 0 a 270°
	3	Ruota colore	000 ó 007	Bianco
			008 ó 015	Blu scuro
			016 ó 023	Giallo
			024 ó 031	Rosa
			032 ó 039	Verde
			040 ó 047	Rosso
			048 ó 055	Blu chiaro
			056 ó 063	Arancio
			064 ó 071	Blu scuro + Bianco
			072 ó 079	Giallo + Blu
			080 ó 087	Giallo + Rosa
			088 ó 095	Rosa + Verde
			096 ó 103	Verde + Rosso
			104 ó 111	Rosso + Blu chiaro
			112 ó 119	Azzurro + Arancione
			120 ó 127	Arancione + Bianco
	128 ó 191	Arcobaleno di colori ciclico a velocità crescente		
	192 ó 255	Arcobaleno di colori inverso a velocità crescente		
	4	Ruota gobo 1	000 ó 007	Bianco
			008 ó 015	Gobo 1
			016 ó 023	Gobo 2
			024 ó 031	Gobo 3
			032 ó 039	Gobo 4
			040 ó 047	Gobo 5
			048 ó 055	Gobo 6
			056 ó 063	Gobo 7
			064 ó 071	Oscillazione gobo 7, da lenta a veloce
			072 ó 079	Oscillazione gobo 6, da lenta a veloce
			080 ó 087	Oscillazione gobo 5, da lenta a veloce
			088 ó 095	Oscillazione gobo 4, da lenta a veloce
			096 ó 103	Oscillazione gobo 3, da lenta a veloce
			104 ó 111	Oscillazione gobo 2, da lenta a veloce
			112 ó 119	Oscillazione gobo 1, da lenta a veloce
			120 ó 127	Aperto
	128 ó 191	Effetto ciclico a velocità crescente		
	192 ó 255	Effetto ciclico inverso a velocità crescente		

## Valori DMX (cont.)

10CH (cont.)	Canale	Funzione	Valore	Percentuale/Impostazione
5	Rotazione gobo	000 ó 063	Orientamento gobo	
		064 ó 147	Effetto rotazione a velocità crescente	
		148 ó 231	Effetto rotazione inversa a velocità crescente	
		232 ó 255	Oscillazione gobo	
6	Ruota gobo 2 (Statico)	000 ó 006	Bianco	
		007 ó 013	Gobo 1	
		014 ó 020	Gobo 2	
		021 ó 027	Gobo 3	
		028 ó 034	Gobo 4	
		035 ó 041	Gobo 5	
		042 ó 048	Gobo 6	
		049 ó 055	Gobo 7	
		056 ó 063	Gobo 8	
		064 ó 071	Oscillazione gobo 8, da lenta a veloce	
		072 ó 078	Oscillazione gobo 7, da lenta a veloce	
		079 ó 085	Oscillazione gobo 6, da lenta a veloce	
		086 ó 092	Oscillazione gobo 5, da lenta a veloce	
		093 ó 099	Oscillazione gobo 4, da lenta a veloce	
		100 ó 106	Oscillazione gobo 3, da lenta a veloce	
		107 ó 113	Oscillazione gobo 2, da lenta a veloce	
114 ó 120	Oscillazione gobo 1, da lenta a veloce			
121 ó 127	Aperto			
128 ó 191	Effetto ciclico a velocità crescente			
192 ó 255	Effetto ciclico inverso a velocità crescente			
7	Prisma	000 ó 007	Nessuna funzione	
		008 ó 012	Prisma acceso	
		013 ó 130	Effetto ciclico a velocità crescente	
		131 ó 247	Effetto ciclico inverso a velocità crescente	
		248 ó 255	Prisma acceso	
8	Messa a fuoco	000 ó 255	0-100%	
9	Otturatore	000 ó 003	Chiuso	
		004 ó 007	Aperto	
		008 ó 076	Effetto strobo sincronizzato (velocità crescente)	
		077 ó 145	Effetto strobo (velocità crescente)	
		146 ó 215	Otturatore casuale (velocità crescente)	
216 ó 255	Aperto			
10	Zoom	000 ó 255	0-100%	

## Over Deze Handleiding

De Intimidator Spot 455Z IRC Beknopte Handleiding (BH) bevat basisinformatie over het product, zoals montage, menu-opties en DMX-waarden. Download de User Manual van [www.chauvetlighting.com](http://www.chauvetlighting.com) voor meer details.

## Disclaimer

De informatie en specificaties in deze BH kunnen zonder voorafgaande kennisgeving worden gewijzigd.

## Veiligheidsinstructies

Deze veiligheidsinstructies bevatten belangrijke informatie over de installatie, het gebruik en het onderhoud.



- Sluit dit product UITSLUITEND op een geaard en beveiligd circuit.
- Haal voor het vervangen van de zekering altijd de stekker van het product uit het stopcontact.
- KIJK NIET in de lichtbron wanneer het apparaat is ingeschakeld.
- Zorg ervoor dat de stroomkabel niet gesmolten of beschadigd is.
- Ontkoppel het product nooit van het stopcontact door aan het snoer te trekken.
- Gebruik een veiligheidskabel wanneer het product boven lichaamshoogte wordt gemonteerd.
- GEEN brandbare materialen in de buurt van de unit tijdens gebruik.
- RAAK het product NIET AAN wanneer het in werking omdat het dan heet zijn.



- De spanning van het stopcontact waarop u dit product aansluit moet binnen het vermelde bereik op de sticker of achterkant van het product zijn.
- Het product is alleen voor gebruik binnenshuis! (IP20) Om risico op brand of elektrische schokken te voorkomen, mag dit product niet aan regen of vocht worden blootgesteld.
- Monteer dit product altijd op een plek met voldoende ventilatie, minstens 20 inch (50 cm) van de aangrenzende oppervlakken.
- Zorg ervoor dat er geen ventilatie-openingen van de behuizing van het product worden geblokkeerd.
- Sluit dit product nooit aan op een dimmer of een regelweerstand.
- Vervang de zekering met een van hetzelfde type en met dezelfde waarde.
- Gebruik UITSLUITEND de ophang-/montagebeugel om dit product te dragen.
- De maximale omgevingstemperatuur bedraagt 104° F (40° C). Gebruik dit product niet bij hogere temperaturen.
- Stop in het geval van ernstige operationele problemen onmiddellijk met het gebruik.
- Open het product NIET. Het bevat geen te onderhouden onderdelen.
- Om onnodige slijtage te voorkomen en de levensduur te verengen, dient u tijdens stilstand het product volledig loskoppelen van de stroom d.m.v. stroomschakelaar of de stekker te ontkoppelen.

**Contact** Van buiten de VS, Verenigd Koninkrijk, Ierland, of Mexico of de Benelux, kunt u contact opnemen met de distributeur of om ondersteuning vragen dan wel het product retourneren. Ga naar [www.chauvetlighting.com](http://www.chauvetlighting.com) voor contactinformatie.

**Wat is inbegrepen**

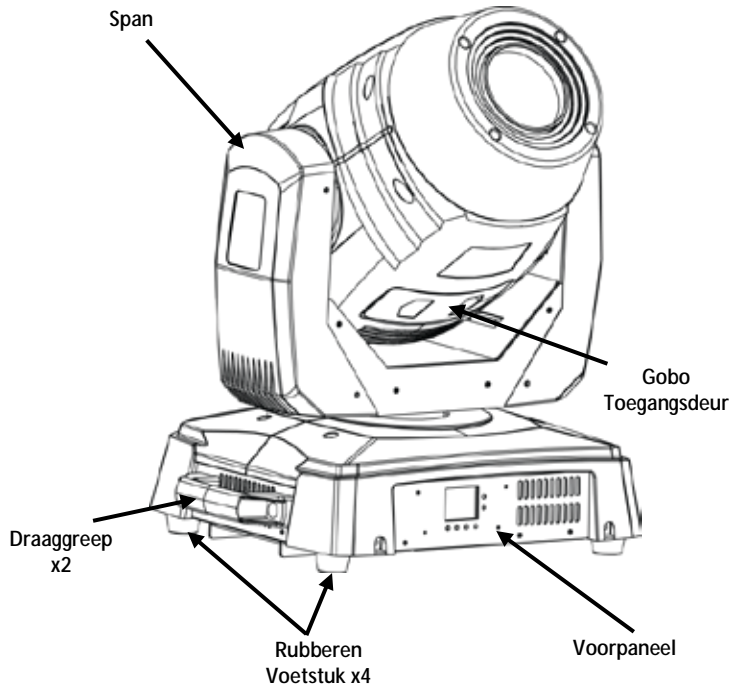
- Intimidator Spot 455Z IRC
- Ophangbeugel met montage materiaal
- Stroomkabel
- Garantiekaart
- Beknopte Handleiding

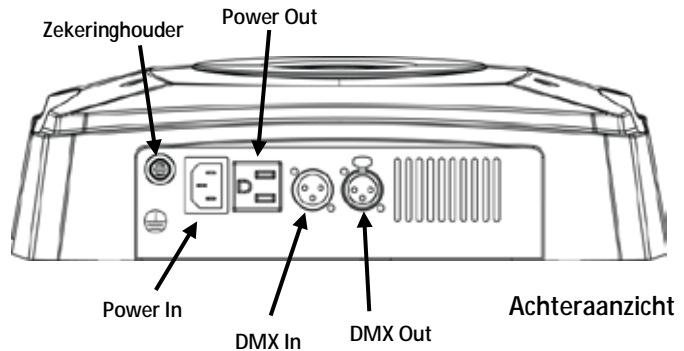
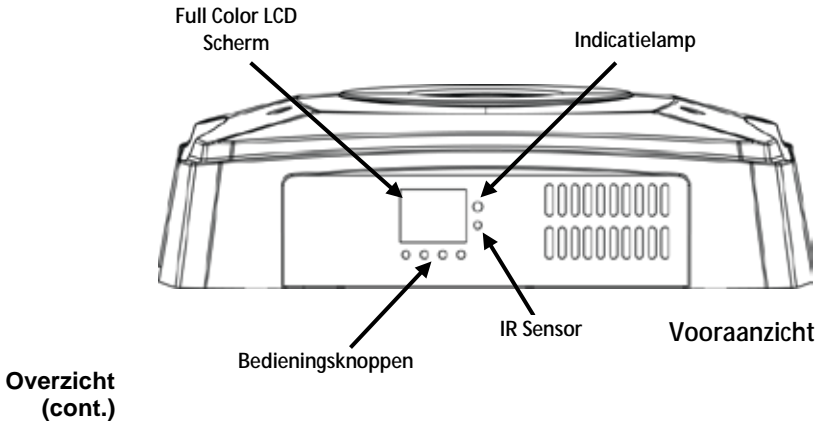
**Om Te Beginnen** Pak de Intimidator Spot 455Z IRC uit en verzeker dat u alle onderdelen in goede staat hebt ontvangen. Als de doos of de inhoud beschadigd lijkt, meldt het onmiddellijk aan de bezorger, niet aan Chauvet.

**Beschrijving** De Intimidator Spot 455Z IRC is een uitzonderlijk felle, 180 W LED moving head spotlight, ontworpen voor grote evenementen., Gemakkelijke navigatie en een volledige tekst uitlezing wordt getoond op een full-color LCD scherm Een toegankelijke gobo sleuf zorgt voor snelle gobo veranderingen. Gemotoriseerde focus zorgt voor scherpe projecties op bijna elke afstand. Een 3-facetten prisma splitst de bundel voor grote effecten en een groot gebied Ingebouwde effect macro's en move-in-black-functie minimaliseert de programmeertijd Bedieningsopties omvatten een Auto-Sound-Active programma, DMX en Master-Slave-modus. Pan en tilt bereik is selecteerbaar door de gebruiker De Intimidator Spot 455Z IRC past het best in de CHS-50 VIP Gear Bag van Chauvet.



Overzicht





**AC Power** Dit product heeft een auto-bereik voeding die kan werken met een ingangsspanning van 100 tot 240 VAC, 50/60 Hz.



### Zekering Vervangen

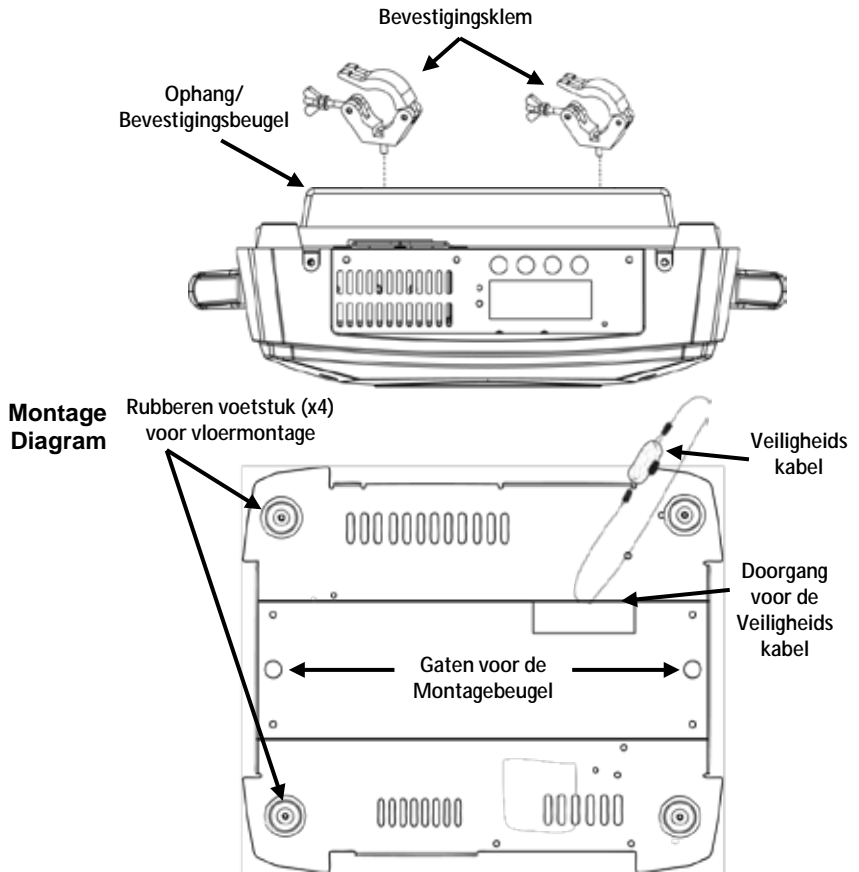
**Om onnodige slijtage te voorkomen en de levensduur te verengen, dient u tijdens stilstand volledig loskoppelen van de stroom d.m.v. stroomschakelaar of de stekker te ontkoppelen.**

1. Ontkoppel het apparaat van de stroom.
2. Met behulp van een platte schroevendraaier, schroef de zekeringhouder los en trek deze er recht uit.
3. Verwijder de defecte zekering en vervang deze door een goede zekering van hetzelfde type.
4. Breng de zekeringhouder opnieuw in en zet het apparaat weer aan.

**Infrarood** De Intimidator Spot 455Z IRC is compatibel met de IRC-6 van Chauvet.  
**Afstandsbediening (IRC-6)** De volgende IRC-6 knoppen worden gebruikt met de Intimidator Spot 455Z IRC:

- <**BLACKOUT**> - Schakelt led aan/uit
- <**AUTO**> - Selecteert automatische programma modus (scrolling)
- <**SOUND**> - Selecteert Sound-Active stand
- <**STROBE**> - Stroboscoop (0–20 Hz)
- <**SPEED**> - Pan/Tilt auto programma snelheid (afnemend)
- <**SENSITIVITY**> - stelt geluidsgevoeligheid in
- <**%**> - LED dimmer
- <**MANUAL**> - Gobo selectie
- <**FADE**> - Kleur selectie
- <**R**> - Kleur rotatiesnelheid
- <**G**> - Gobo rotatiesnelheid
- <**B**> - Auto modus
- <**A**> - Pan/Tilt handmatige instelling
- <**W**> - Prisma effect
- <**UV**> - Zoom/Focus
- <**+**> - Verhoog
- <**-**> - Verlaag
- <**0**> tot <**9**> - Selecteer auto program per nummer

**Montage** Voordat u dit product monteert, lees eerst de [Veiligheidsvoorschriften](#). Controleer of de montageklem het gewicht van het product kan dragen. Ga voor onze Chauvet serie montageklemmen naar [www.chauvetlighting.com/cables-clamps-main.html](http://www.chauvetlighting.com/cables-clamps-main.html).



**!** Bij het gebruik van slechts één bevestigingsklem, moet u een klem gebruiken met een penschiettoestel per ongeluk losraken te voorkomen.

## Configuratiescherm Beschrijving

Toets	Functie
<MODE>	Uitgangen van het huidige menu of functie
<UP>	Navigeert omhoog via het menu of verhoogt de numerieke waarde bij een functie
<DOWN>	Navigeert omlaag via het menu of verlaagt de numerieke waarde bij een functie
<ENTER>	Activeert het huidige getoonde menu of plaatst de huidige geselecteerde waarde in de geselecteerde functie

## Menu Opties

Hoofdfunctie	Programmeerniveaus		Beschrijving	
<b>Address</b>	<b>001–512 (497)</b>		Stelt het DMX startadres in	
<b>Run Mode</b>	<b>DMX</b>	<b>16CH</b>	Selecteert DMX modus	
		<b>10CH</b>		
	<b>Slave</b>	<b>Slave 1–4</b>	Selecteert Slave modus 1, 2, 3, or 4	
	<b>Sound</b>		Selecteert Geluidsactieve modus	
	<b>Auto</b>		Selecteert Auto modus	
	<b>IR</b>		Selecteert infrarood besturing	
	<b>Manual</b>	<b>000–255</b>	<b>Pan</b>	0 tot 540°
			<b>Pan Fine</b>	Subtiële bediening voor pan
			<b>Tilt</b>	0 tot 270°
			<b>Tilt Fine</b>	Subtiële bediening voor tilt
			<b>P/T Speed</b>	Pan/Tilt snelheid (langzaam naar snel)
			<b>Color</b>	Selecteert kleuropties
			<b>Gobo</b>	Selecteert Gobo opties
			<b>Gobo Rotation</b>	Rotatie effect met toenemende snelheid
			<b>Prism</b>	Selecteert 3-facetten prisma
			<b>Dimmer</b>	Stelt de dimmer waarde in
			<b>Shutter</b>	Stroboscoop effect met toenemende snelheid
<b>Special Function</b>	Selecteert bedieningsfuncties			
<b>P/T Macro</b>	Selecteert pan/tilt bewegingsmacro's			
<b>Setup</b>	<b>Pan Reverse</b>	<b>OFF</b>	Normale pan optie	
		<b>ON</b>	Terugwerkende pan optie	
	<b>Tilt Reverse</b>	<b>OFF</b>	Normale tilt optie	
		<b>ON</b>	Terugwerkende tilt optie	
	<b>Screen Reverse</b>	<b>OFF</b>	Normaal scherm	
		<b>ON</b>	Omgekeerd scherm	
	<b>Pan Angle</b>	<b>540</b>	Selecteert de 540° pan hoekbereik	
		<b>360</b>	Selecteert de 360° pan hoekbereik	
		<b>180</b>	Selecteert de 180° pan hoekbereik	
	<b>Tilt Angle</b>	<b>270</b>	Selecteert de 270° tilt hoekbereik	
		<b>180</b>	Selecteert de 180° tilt hoekbereik	
		<b>090</b>	Selecteert de 90° tilt hoekbereik	
	<b>Totem</b>	<b>Up</b>	Selecteert opwaarts pan en tilt bereik	
		<b>Down</b>	Selecteert neerwaarts pan en tilt bereik	
<b>Sensitivity</b>	<b>001–100</b>	Geluidsgevoelgebediening		
<b>Reset</b>		Reset het product		
<b>Factory Set</b>		Laad de fabrieksinstellingen		

Hoofdfunctie	Programmeerniveaus	Beschrijving
Sys Info	Ver: VX.X	Toont de software versie
	Running Mode: XXXXX	Toont de huidige actieve stand
	DmxAddress: XXX	Toont huidige DMX adres
	Temperature: XXX	Toont de LED temperatuur in Celsius

**DMX Linking** De Intimidator Spot 455 IRC werkt met een DMX-controller indien gekoppeld door seriële DMX-verbindingen. Instructies voor het aansluiten en configureren van dit product voor DMX werking staan in de gebruikershandleiding. Als u niet bekend bent met DMX, download dan de DMX Primer van [www.chauvetlighting.com](http://www.chauvetlighting.com).

**Startadres** Om volledige toegang tot alle kanalen in elke DMX-modus te garanderen is het hoogste aanbevolen DMX-adres voor dit product **497**.

**Master/Slave Verbinding** De Intimidator Spot 455 IRC maakt gebruik van de DMX-dataverbinding voor zijn master/slave stand. Instructies voor het aansluiten en configureren van dit product voor master/slave werking staan in de gebruikershandleiding.

#### Kleur Wiel



#### Gobo Wiel 1



#### Gobo Wiel 2



## DMX Waarden

16CH	Kanaal	Functie	Waarde	Percentage/Instelling
	1	Pan	000 ó 255	0 tot 540°
	2	Subtiële Pan	000 ó 255	Subtiële bediening voor pan
	3	Tilt:	000 ó 255	0 tot 270°
	4	Subtiële Tilt	000 ó 255	Subtiële bediening voor tilt
	5	Snelheid	000 ó 255	Pan/Tilt snelheid (sne) naar langzaam
	6	Kleur Wiel	000 ó 007	Wit
			008 ó 015	Donkerblauw
			016 ó 023	Geel
			024 ó 031	Roze
			032 ó 039	Groen
			040 ó 047	Rood
			048 ó 055	Lichtblauw
			056 ó 063	Oranje
			064 ó 071	Donkerblauw + Wit
			072 ó 079	Geel + Blauw
			080 ó 087	Geel + Roze
			088 ó 095	Roze + Groen
			096 ó 103	Groen + Rood
			104 ó 111	Rood + Lichtblauw
			112 ó 119	Lichtblauw + Oranje
			120 ó 127	Oranje + Wit
			128 ó 191	Draaiende regenboog kleuren met toenemende snelheid
	192 ó 255	Terugdraaiende regenboog kleuren met toenemende snelheid		
	7	Gobo Wiel 1	000 ó 007	Wit
			008 ó 015	Gobo 1
			016 ó 023	Gobo 2
			024 ó 031	Gobo 3
			032 ó 039	Gobo 4
			040 ó 047	Gobo 5
			048 ó 055	Gobo 6
			056 ó 063	Gobo 7
			064 ó 071	Gobo 7 schudden, van langzaam naar snel
			072 ó 079	Gobo 6 schudden, van langzaam naar snel
			080 ó 087	Gobo 5 schudden, van langzaam naar snel
			088 ó 095	Gobo 4 schudden, van langzaam naar snel
			096 ó 103	Gobo 3 schudden, van langzaam naar snel
			104 ó 111	Gobo 2 schudden, van langzaam naar snel
			112 ó 119	Gobo 1 schudden, van langzaam naar snel
			120 ó 127	Open
			128 ó 191	Cyclus effect met toenemende snelheid
	192 ó 255	Omgekeerd cyclus effect met toenemende snelheid		

**DMX Waardes (cont.)**

<b>16CH (cont.)</b>	<b>Kanaal</b>	<b>Functie</b>	<b>Waarde</b>	<b>Percentage/Instelling</b>
<b>8</b>	<b>Gobo Rotatie</b>	000 ó 063	Gobo Oriëntatie	
		064 ó 147	Rotatie effect met toenemende snelheid	
		148 ó 231	Omgekeerd rotatie effect met toenemende snelheid	
		232 ó 255	Gobo stuiter	
<b>9</b>	<b>Gobo Wiel 2 (Statisch)</b>	000 ó 006	Wit	
		007 ó 013	Gobo 1	
		014 ó 020	Gobo 2	
		021 ó 027	Gobo 3	
		028 ó 034	Gobo 4	
		035 ó 041	Gobo 5	
		042 ó 048	Gobo 6	
		049 ó 055	Gobo 7	
		056 ó 063	Gobo 8	
		064 ó 071	Gobo 8 schudden, van langzaam naar snel	
		072 ó 078	Gobo 7 schudden, van langzaam naar snel	
		079 ó 085	Gobo 6 schudden, van langzaam naar snel	
		086 ó 092	Gobo 5 schudden, van langzaam naar snel	
		093 ó 099	Gobo 4 schudden, van langzaam naar snel	
		100 ó 106	Gobo 3 schudden, van langzaam naar snel	
		107 ó 113	Gobo 2 schudden, van langzaam naar snel	
114 ó 120	Gobo 1 schudden, van langzaam naar snel			
121 ó 127	Open			
128 ó 191	Cyclus effect met toenemende snelheid			
192 ó 255	Omgekeerd cyclus effect met toenemende snelheid			
<b>10</b>	<b>Prisma</b>	000 ó 007	Geen functie	
		008 ó 012	Prisma aan	
		013 ó 130	Cyclus effect met toenemende snelheid	
		131 ó 247	Omgekeerd cyclus effect met toenemende snelheid	
		248 ó 255	Prisma aan	
<b>11</b>	<b>Focus</b>	000 ó 255	0–100%	
<b>12</b>	<b>Dimmer</b>	000 ó 255	0–100%	
<b>13</b>	<b>Sluiter</b>	000 ó 003	Dicht	
		004 ó 007	Open	
		008 ó 076	Gesynchroniseerd stroboscoop effect (toenemende snelheid)	
		077 ó 145	Stroboscoop effect (toenemende snelheid)	
		146 ó 215	Willekeurige shutter (toenemende snelheid)	
		216 ó 255	Open	



## DMX Waardes (cont.)

16CH (cont.)	Kanaal	Functie	Waarde	Percentage/Instelling
14	Besturings- functies	000 ó 007	000 ó 007	Geen functie
		008 ó 015	008 ó 015	Blackout tijdens bewegende pan/tilt
		016 ó 023	016 ó 023	Blackout tijdens bewegend kleur wiel
		024 ó 031	024 ó 031	Blackout tijdens bewegend gobo wiel
		032 ó 039	032 ó 039	Blackout tijdens bewegende pan/tilt/bewegend kleurenwiel
		040 ó 047	040 ó 047	Blackout tijdens bewegende pan/tilt/bewegend gobowiel
		048 ó 055	048 ó 055	Schakel blackout tijdens pan./tilt/bewegende gobo/bewegend kleurenwiel uit
		056 ó 087	056 ó 087	Geen functie
		088 ó 095	088 ó 095	Herstart pan
		096 ó 103	096 ó 103	Herstart tilt
		104 ó 111	104 ó 111	Geen functie
		112 ó 119	112 ó 119	Herstart kleur wiel
		120 ó 127	120 ó 127	Herstart Gobo wiel
		128 ó 135	128 ó 135	Herstart Gobo rotatie
		136 ó 143	136 ó 143	Herstart prisma
		144 ó 151	144 ó 151	Reset focus
		152 ó 159	152 ó 159	Herstart alle kanalen
		160 ó 167	160 ó 167	Zoom reset
		168 ó 175	168 ó 175	Statische Gobo reset
176 ó 255	176 ó 255	Geen functie		
15	Bewegings- macro's	000 ó 007	000 ó 007	Geen functie
		008 ó 023	008 ó 023	Automatische beweging 1
		024 ó 039	024 ó 039	Automatische beweging 2
		040 ó 055	040 ó 055	Automatische beweging 3
		056 ó 071	056 ó 071	Automatische beweging 4
		072 ó 087	072 ó 087	Automatische beweging 5
		088 ó 103	088 ó 103	Automatische beweging 6
		104 ó 119	104 ó 119	Automatische beweging 7
		120 ó 135	120 ó 135	Automatische beweging 8
		136 ó 151	136 ó 151	Sound-Active beweging 1
		152 ó 167	152 ó 167	Sound-Active beweging 2
		168 ó 183	168 ó 183	Sound-Active beweging 3
		184 ó 199	184 ó 199	Sound-Active beweging 4
		200 ó 215	200 ó 215	Sound-Active beweging 5
		216 ó 231	216 ó 231	Sound-Active beweging 6
232 ó 247	232 ó 247	Sound-Active beweging 7		
248 ó 255	248 ó 255	Sound-Active beweging 8		
16	Zoom	000 ó 255	000 ó 255	0-100%

**DMX Waardes (cont.)**

<b>10CH</b>	<b>Kanaal</b>	<b>Functie</b>	<b>Waarde</b>	<b>Percentage/Instelling</b>
	1	Pan	000 ó 255	0 tot 540°
	2	Tilt	000 ó 255	0 tot 270°
	3	Kleur Wiel	000 ó 007	Wit
			008 ó 015	Donkerblauw
			016 ó 023	Geel
			024 ó 031	Roze
			032 ó 039	Groen
			040 ó 047	Rood
			048 ó 055	Lichtblauw
			056 ó 063	Oranje
			064 ó 071	Donkerblauw + Wit
			072 ó 079	Geel + Blauw
			080 ó 087	Geel + Roze
			088 ó 095	Roze + Groen
			096 ó 103	Groen + Rood
			104 ó 111	Rood + Lichtblauw
			112 ó 119	Lichtblauw + Oranje
			120 ó 127	Oranje + Wit
			128 ó 191	Draaiende regenboog kleuren met toenemende snelheid
	192 ó 255	Terugdraaiende regenboog kleuren met toenemende snelheid		
	4	Gobo Wiel 1	000 ó 007	Wit
			008 ó 015	Gobo 1
			016 ó 023	Gobo 2
			024 ó 031	Gobo 3
			032 ó 039	Gobo 4
			040 ó 047	Gobo 5
			048 ó 055	Gobo 6
			056 ó 063	Gobo 7
			064 ó 071	Gobo 7 schudden, van langzaam naar snel
			072 ó 079	Gobo 6 schudden, van langzaam naar snel
			080 ó 087	Gobo 5 schudden, van langzaam naar snel
			088 ó 095	Gobo 4 schudden, van langzaam naar snel
			096 ó 103	Gobo 3 schudden, van langzaam naar snel
			104 ó 111	Gobo 2 schudden, van langzaam naar snel
			112 ó 119	Gobo 1 schudden, van langzaam naar snel
			120 ó 127	Open
			128 ó 191	Cyclus effect met toenemende snelheid
	192 ó 255	Omgekeerd cyclus effect met toenemende snelheid		

## DMX Waardes (cont.)

10CH (cont.)	Kanaal	Functie	Waarde	Percentage/Instelling
5	Gobo Rotatie	000 ó 063	Gobo Oriëntatie	
		064 ó 147	Rotatie effect met toenemende snelheid	
		148 ó 231	Omgekeerd rotatie effect met toenemende snelheid	
		232 ó 255	Gobo stuiter	
6	Gobo Wiel 2 (Statisch)	000 ó 006	Wit	
		007 ó 013	Gobo 1	
		014 ó 020	Gobo 2	
		021 ó 027	Gobo 3	
		028 ó 034	Gobo 4	
		035 ó 041	Gobo 5	
		042 ó 048	Gobo 6	
		049 ó 055	Gobo 7	
		056 ó 063	Gobo 8	
		064 ó 071	Gobo 8 schudden, van langzaam naar snel	
		072 ó 078	Gobo 7 schudden, van langzaam naar snel	
		079 ó 085	Gobo 6 schudden, van langzaam naar snel	
		086 ó 092	Gobo 5 schudden, van langzaam naar snel	
		093 ó 099	Gobo 4 schudden, van langzaam naar snel	
		100 ó 106	Gobo 3 schudden, van langzaam naar snel	
		107 ó 113	Gobo 2 schudden, van langzaam naar snel	
114 ó 120	Gobo 1 schudden, van langzaam naar snel			
121 ó 127	Open			
128 ó 191	Cyclus effect met toenemende snelheid			
192 ó 255	Omgekeerd cyclus effect met toenemende snelheid			
7	Prisma	000 ó 007	Geen functie	
		008 ó 012	Prisma aan	
		013 ó 130	Cyclus effect met toenemende snelheid	
		131 ó 247	Omgekeerd cyclus effect met toenemende snelheid	
		248 ó 255	Prisma aan	
8	Focus	000 ó 255	0–100%	
9	Sluiter	000 ó 003	Dicht	
		004 ó 007	Open	
		008 ó 076	Gesynchroniseerd stroboscoop effect (toenemende snelheid)	
		077 ó 145	Stroboscoop effect (toenemende snelheid)	
		146 ó 215	Willekeurige shutter (toenemende snelheid)	
216 ó 255	Open			
10	Zoom	000 ó 255	0–100%	

**Contact USA WORLD HEADQUARTERS**

**Us** **General Information**  
 Address: 5200 NW 108th Avenue  
 Sunrise, FL 33351  
 Voice: (954) 577-4455  
 Fax: (954) 929-5560  
 Toll free: (800) 762-1084

**Technical Support**  
 Voice: (954) 577-4455 (Press 4)  
 Fax: (954) 756-8015  
 Email: [tech@chauvetlighting.com](mailto:tech@chauvetlighting.com)

**World Wide Web**  
[www.chauvetlighting.com](http://www.chauvetlighting.com)

**EUROPE**

**General Information**  
 Address: Stokstraat 18  
 9770 Kruishoutem  
 Belgium  
 Voice: +32 9 388 93 97

**Technical Support**  
 Email: [Eutech@chauvetlighting.eu](mailto:Eutech@chauvetlighting.eu)

**World Wide Web**  
[www.chauvetlighting.eu](http://www.chauvetlighting.eu)

**General Information**  
 Address: Unit 1C  
 Brookhill Road Industrial Estate  
 Pinxton, Nottingham, UK  
 NG16 6NT  
 Voice: +44 (0)1773 511115  
 Fax: +44 (0)1773 511110

**Technical Support**  
 Email: [uktech@chauvetlighting.com](mailto:uktech@chauvetlighting.com)

**World Wide Web**  
[www.chauvetlighting.co.uk](http://www.chauvetlighting.co.uk)

**MEXICO**

**General Information**  
 Address: Av. Santa Ana 30  
 Parque Industrial Lerma  
 Lerma, Mexico C.P. 52000  
 Voice: +52 (728) 285-5000

**Technical Support**  
 Email: [servicio@chauvet.com.mx](mailto:servicio@chauvet.com.mx)

**World Wide Web** [www.chauvet.com.mx](http://www.chauvet.com.mx)

Outside the U.S., United Kingdom, Ireland, Mexico, or Benelux, contact the dealer of record. Follow their instructions to request support or to return a product. Visit our website for contact details.

**Intimidator Spot 455Z IRC QRG Rev. 3 ML6**  
 © Copyright 2015 Chauvet  
 All rights reserved.  
 Printed in the P. R. C.

