

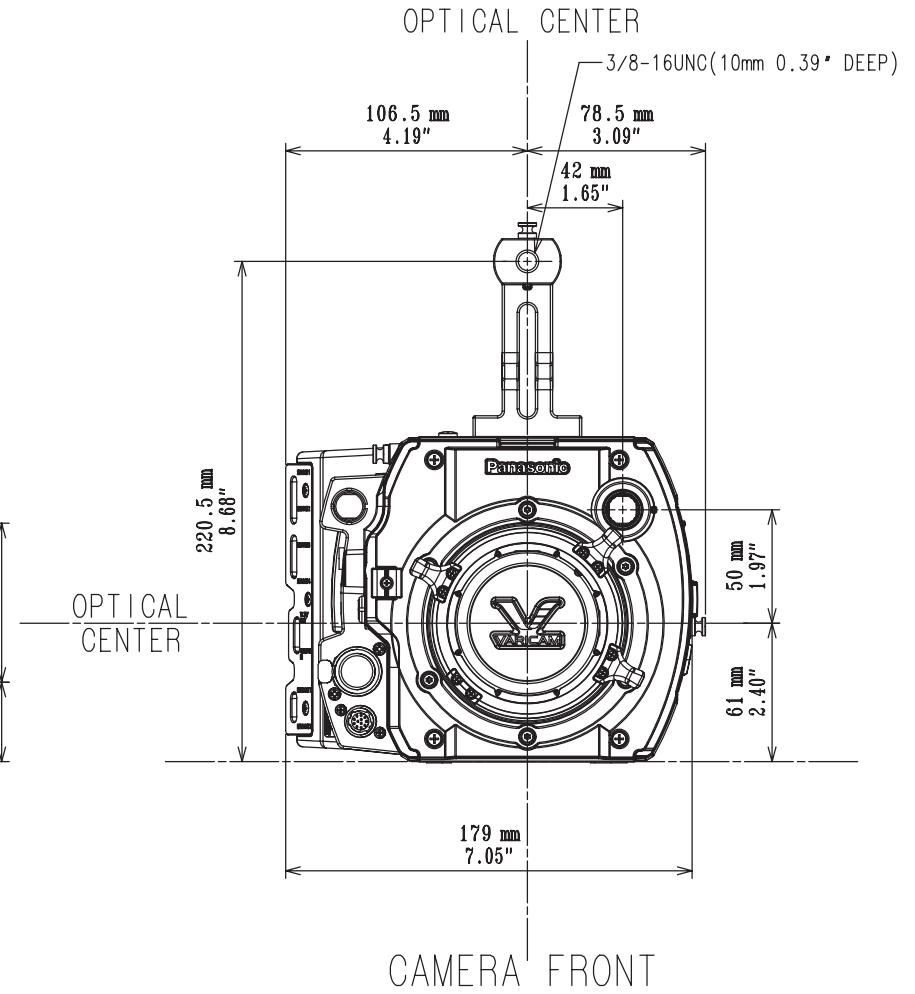
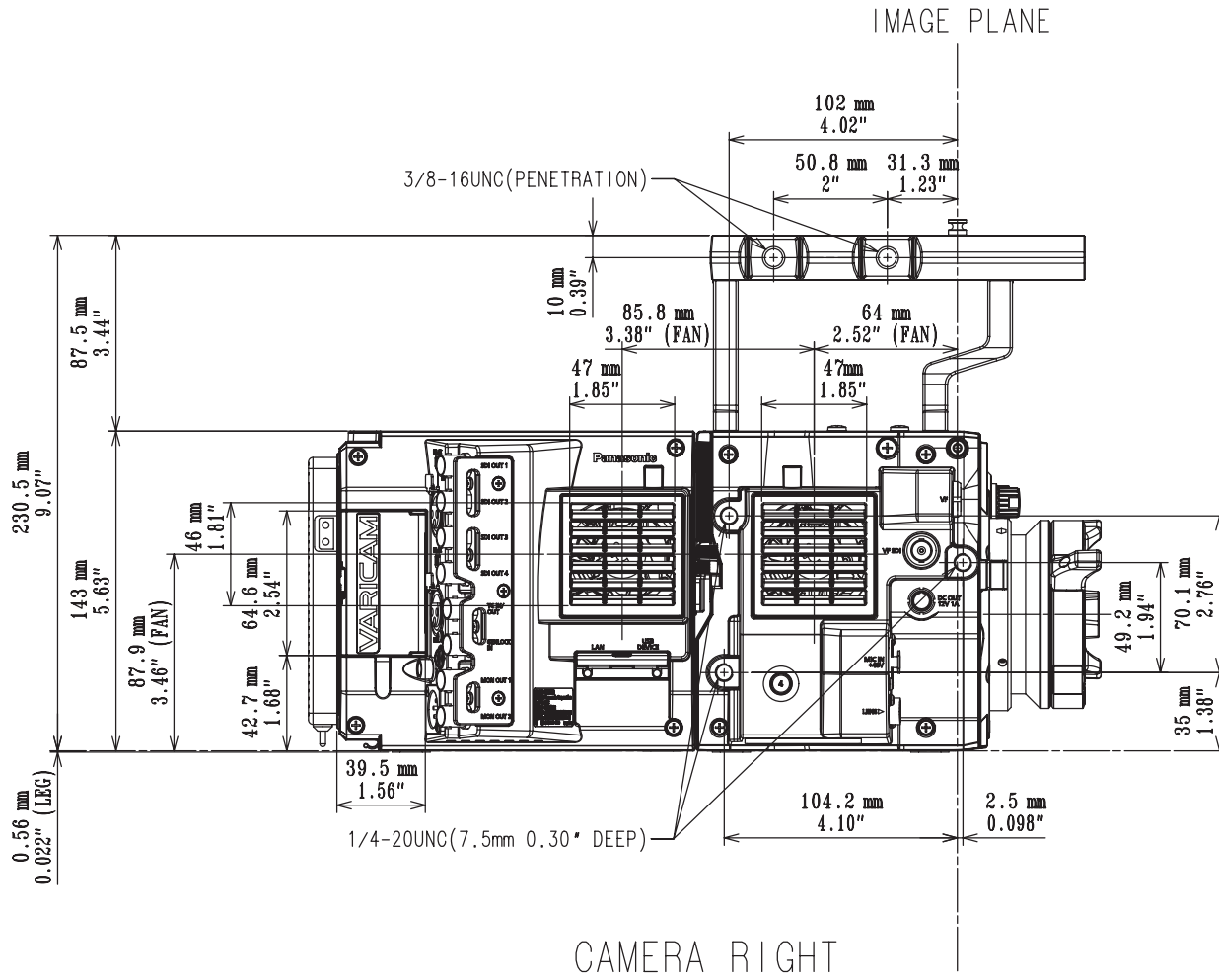


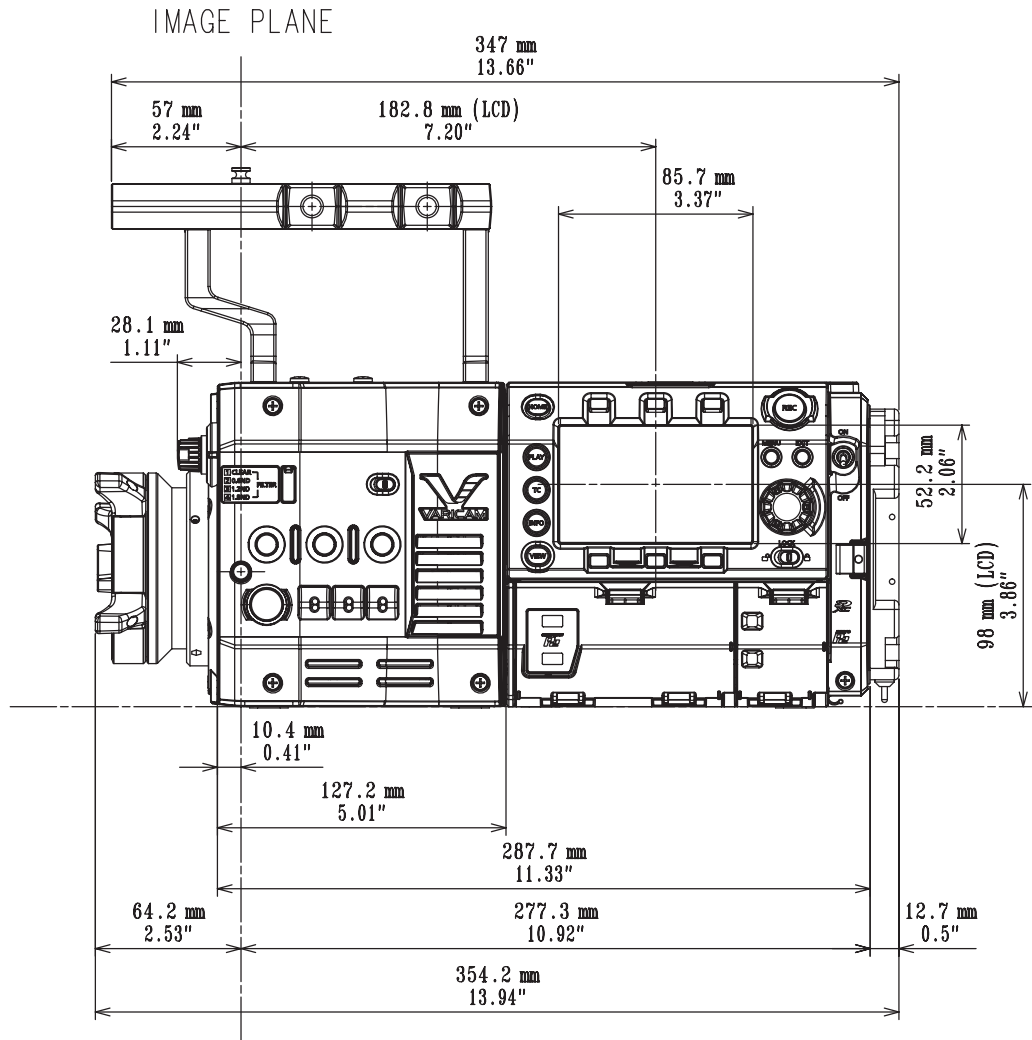
35

VariCam 35 CAMERA DIMENSIONS

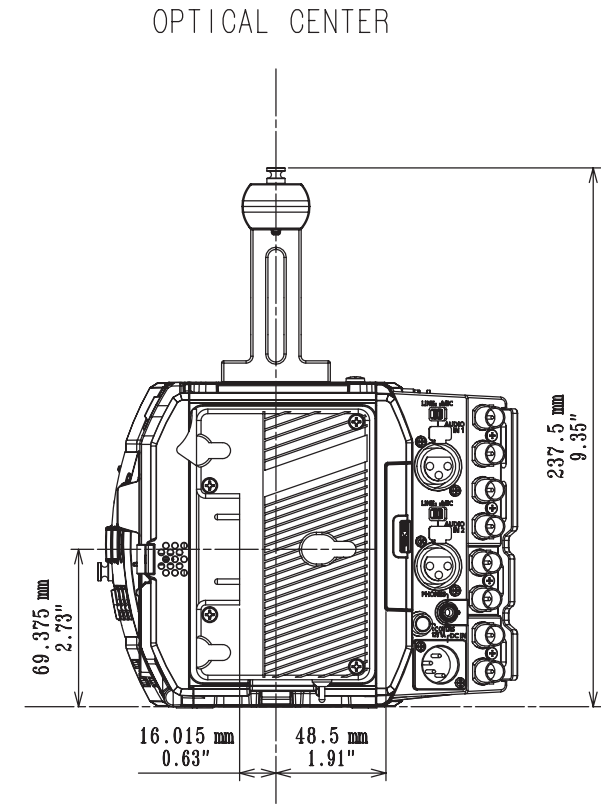
Table of Content

VariCam 35.....2
VariCam 35 with Shoulder Mount Module.....6



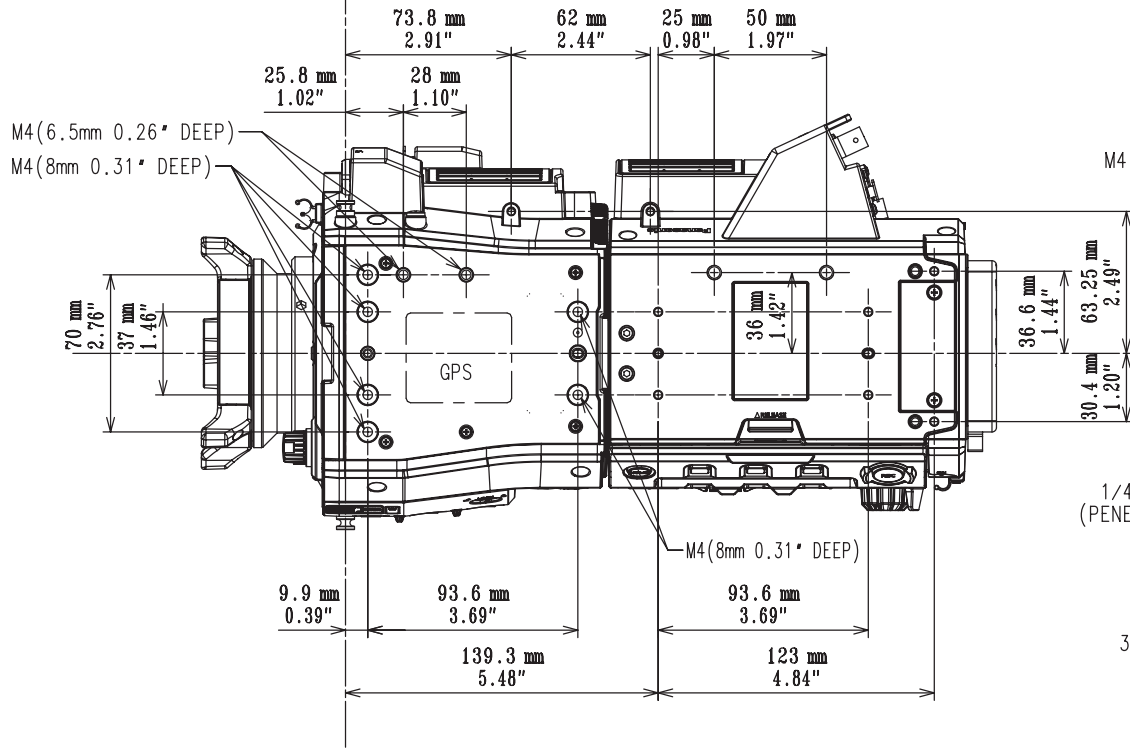


CAMERA LEFT



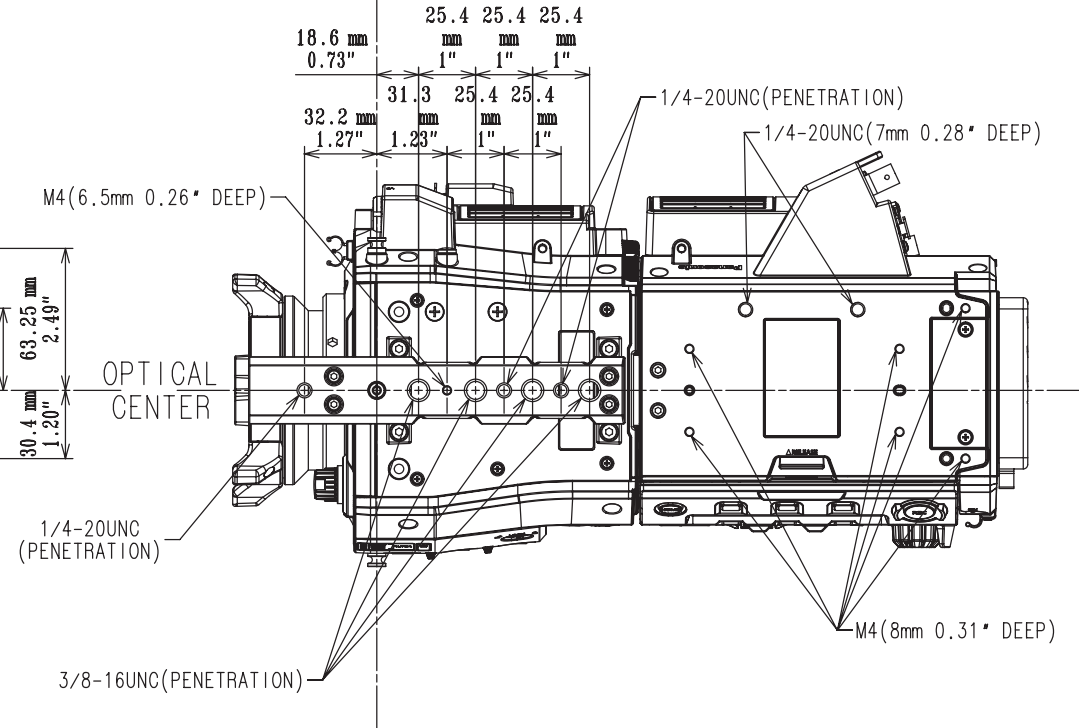
CAMERA BACK

IMAGE PLANE

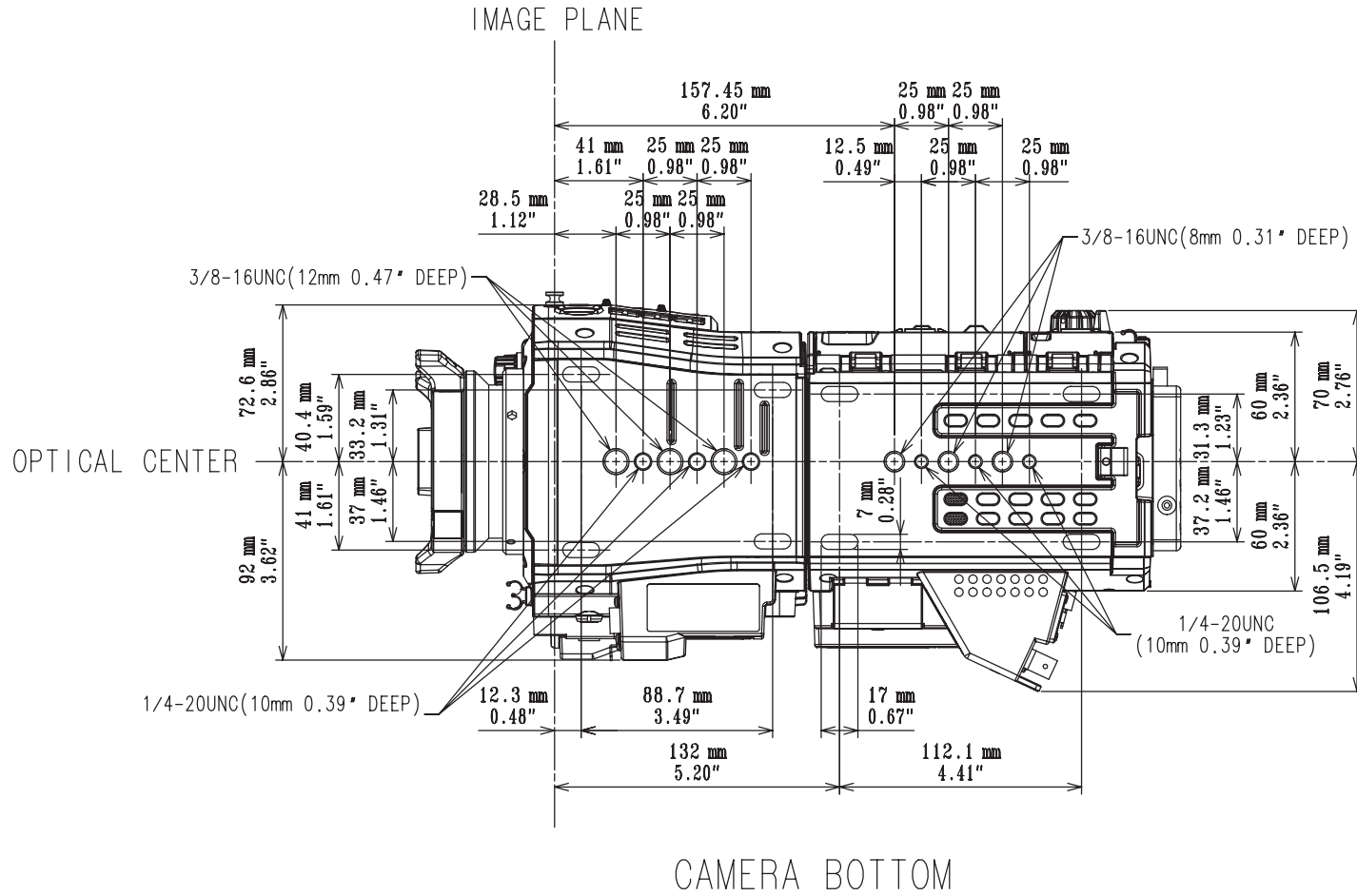


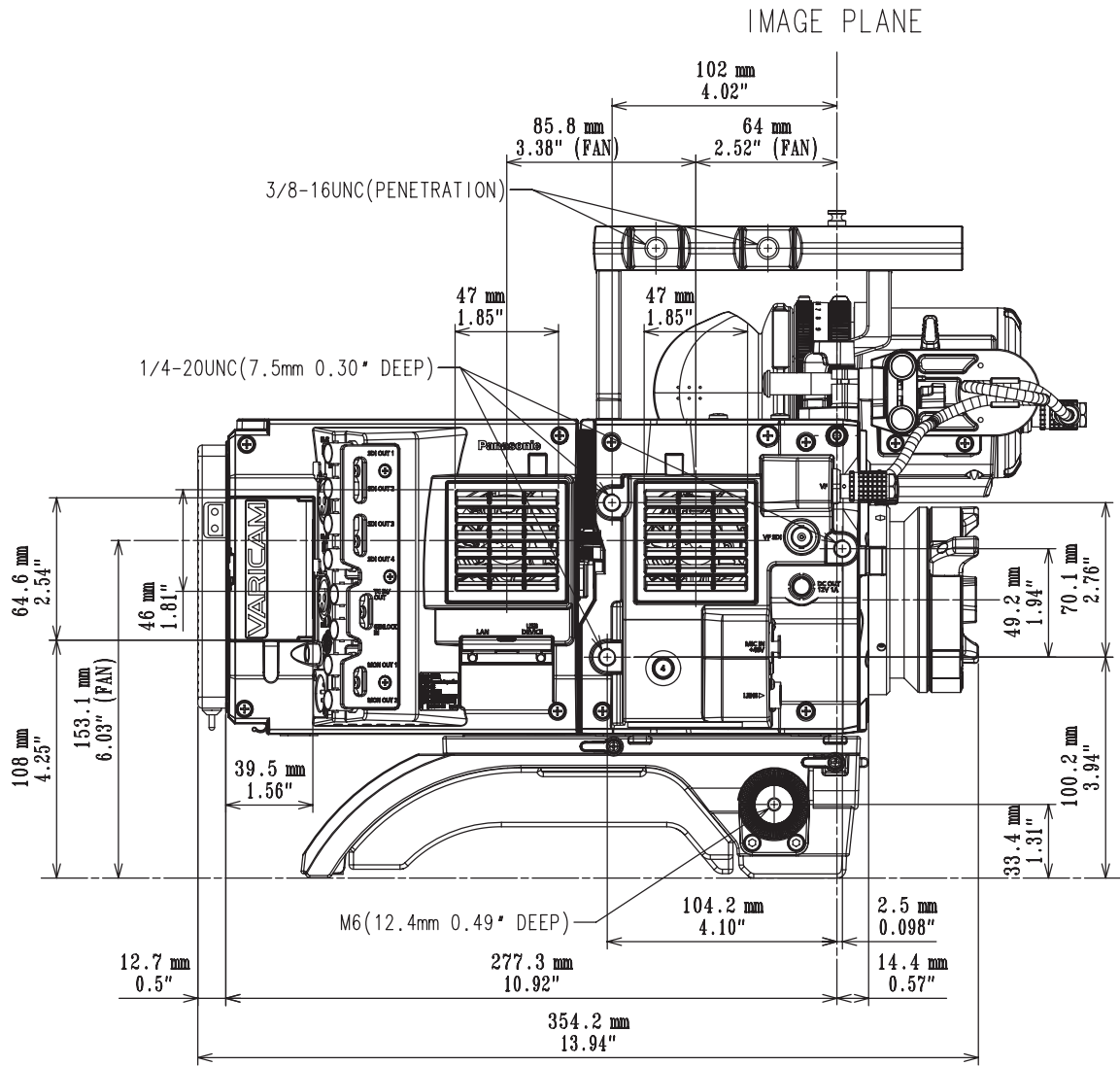
CAMERA TOP
(WITHOUT HANDLE)

IMAGE PLANE

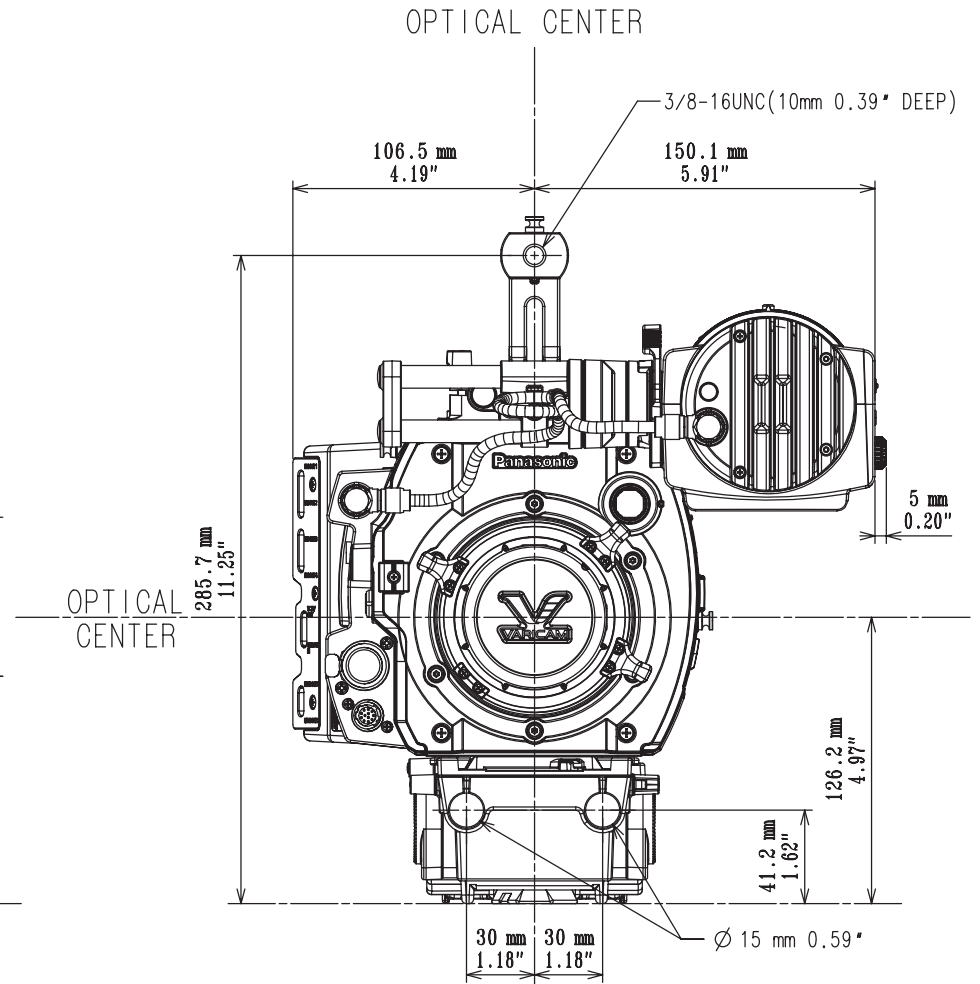


CAMERA TOP
(WITH HANDLE)

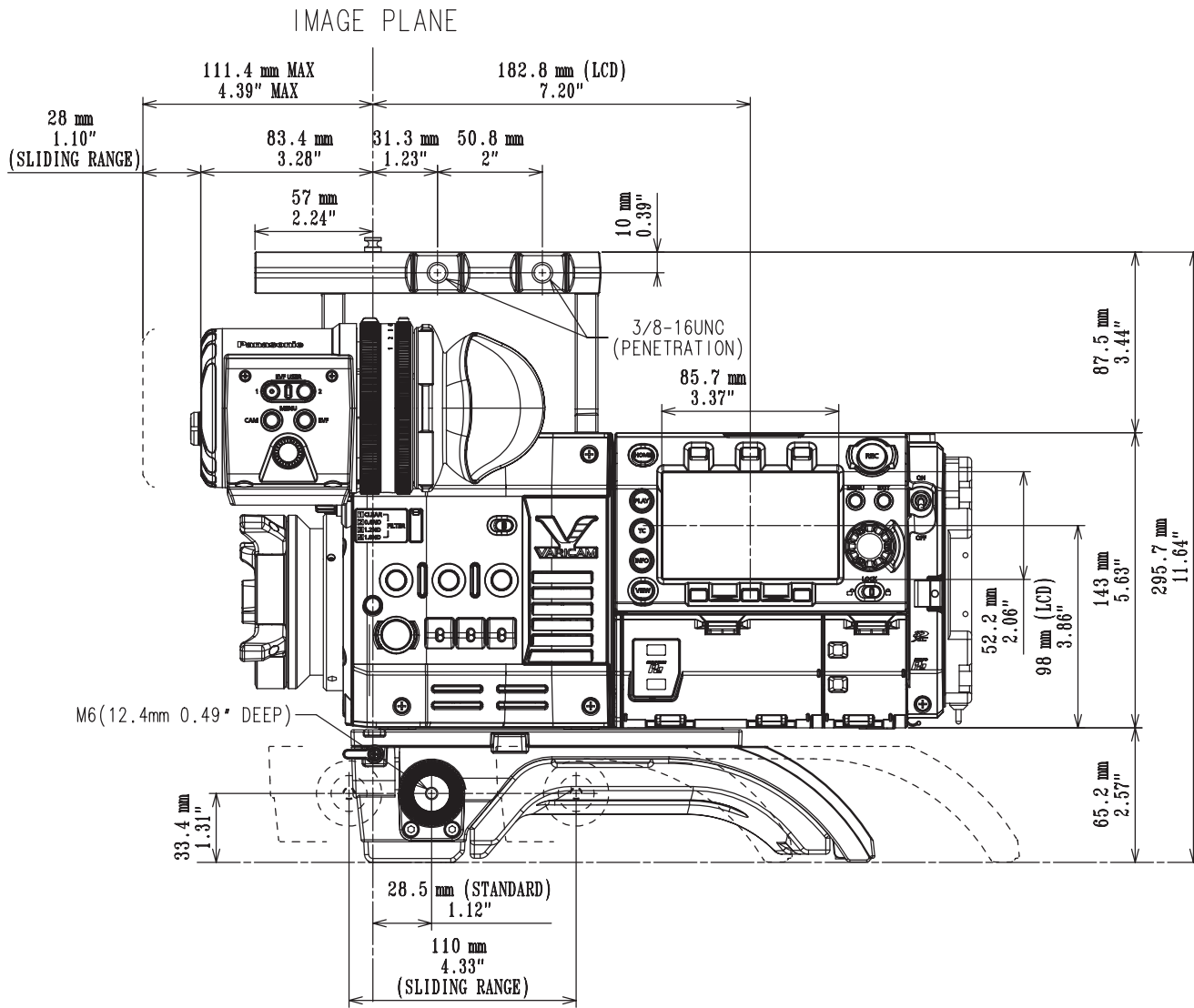




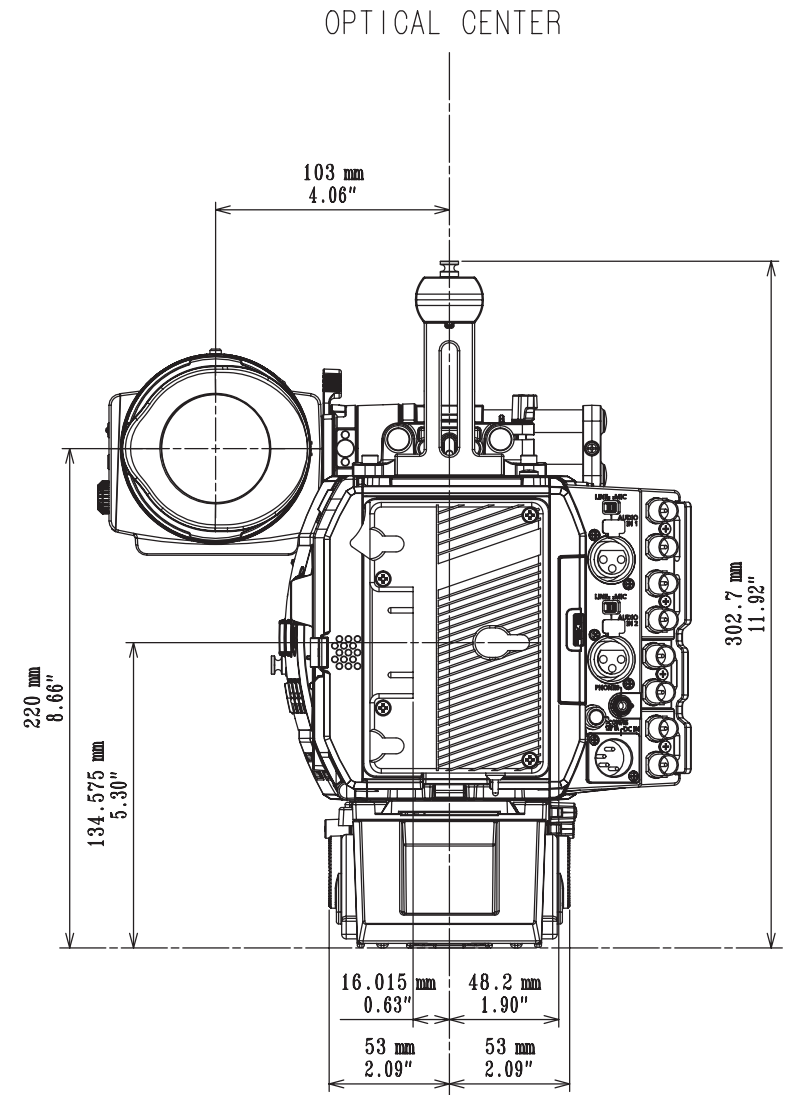
CAMERA RIGHT



CAMERA FRONT



CAMERA LEFT



CAMERA BACK

