



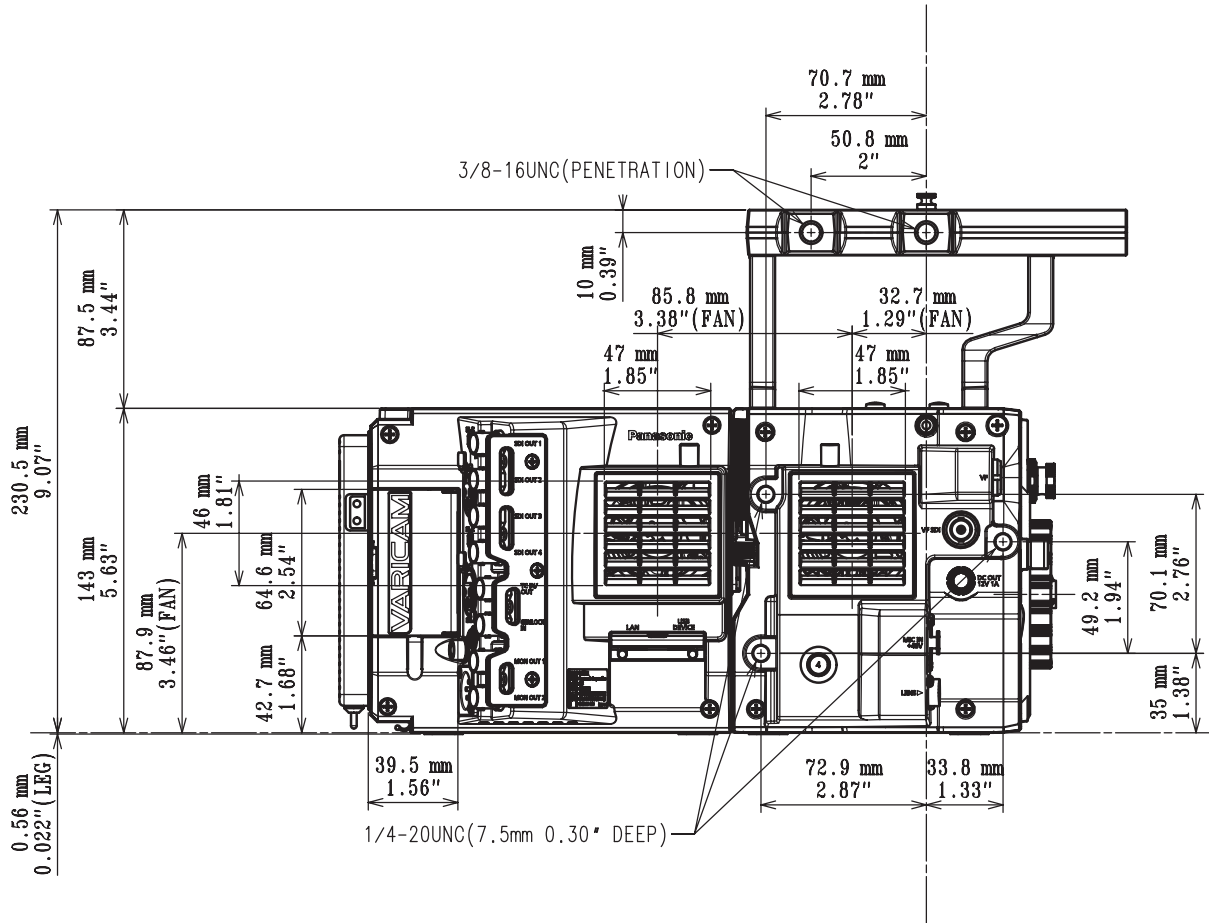
# HS

## VariCam HS CAMERA DIMENSIONS

**Table of Content**

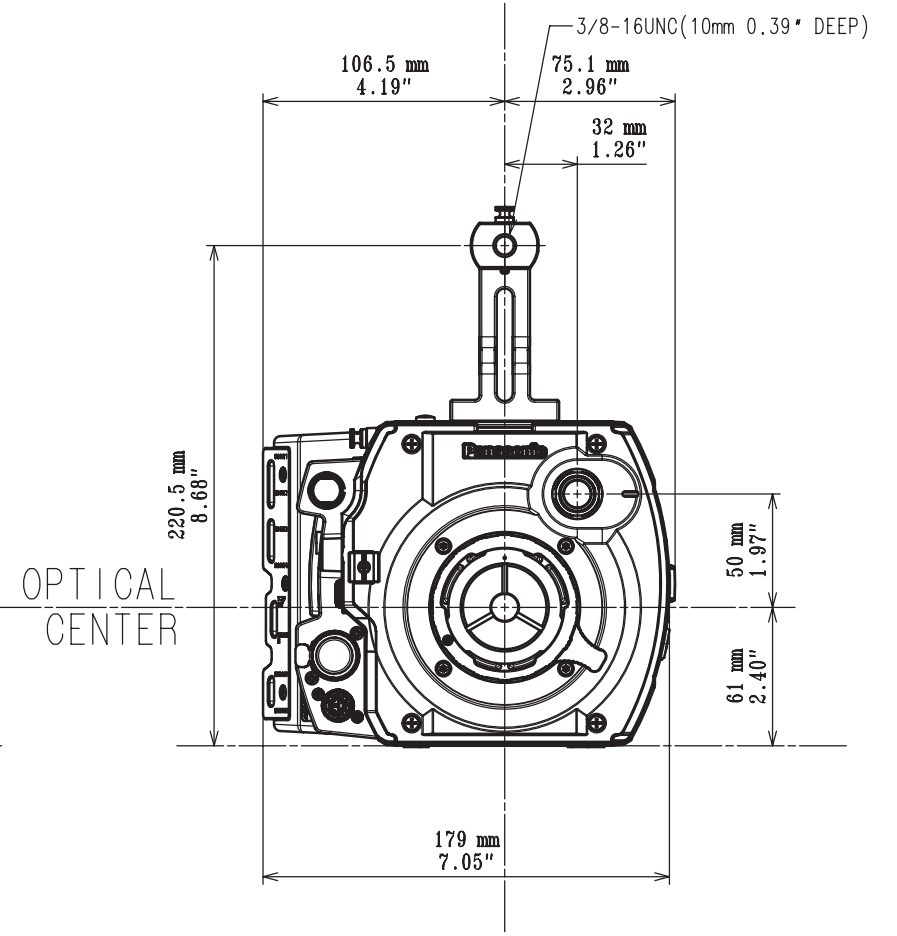
VariCam HS.....2  
VariCam HS with Shoulder Mount Module.....6

IMAGE PLANE



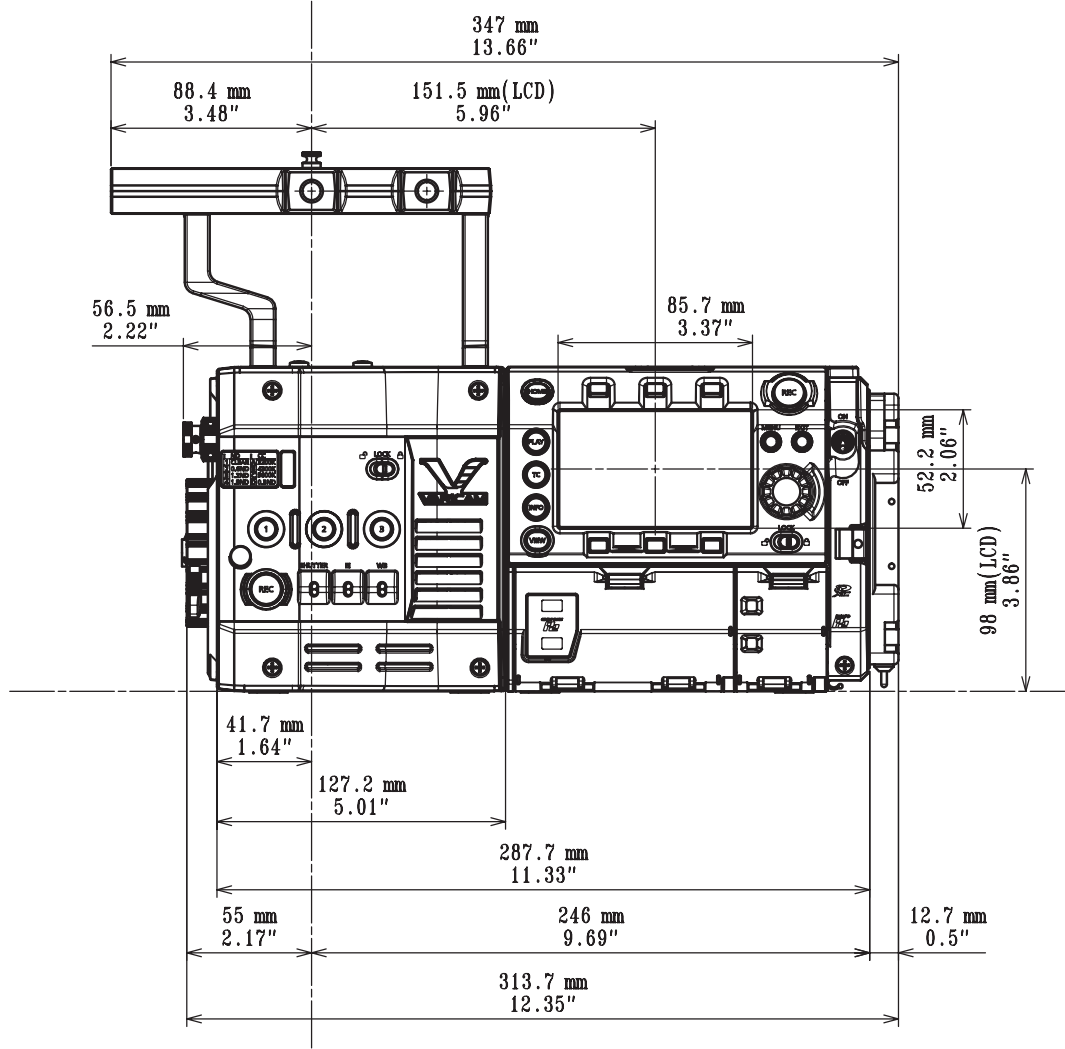
CAMERA RIGHT

OPTICAL CENTER



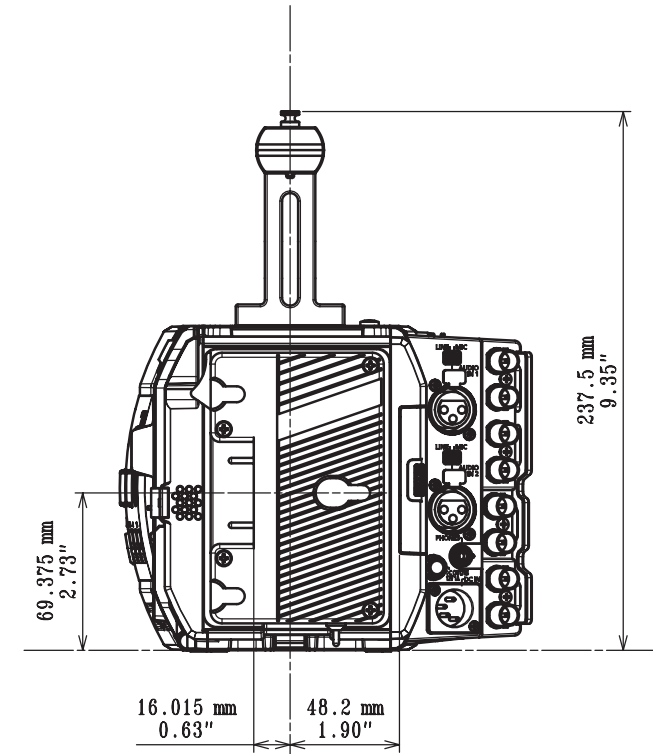
CAMERA FRONT

IMAGE PLANE



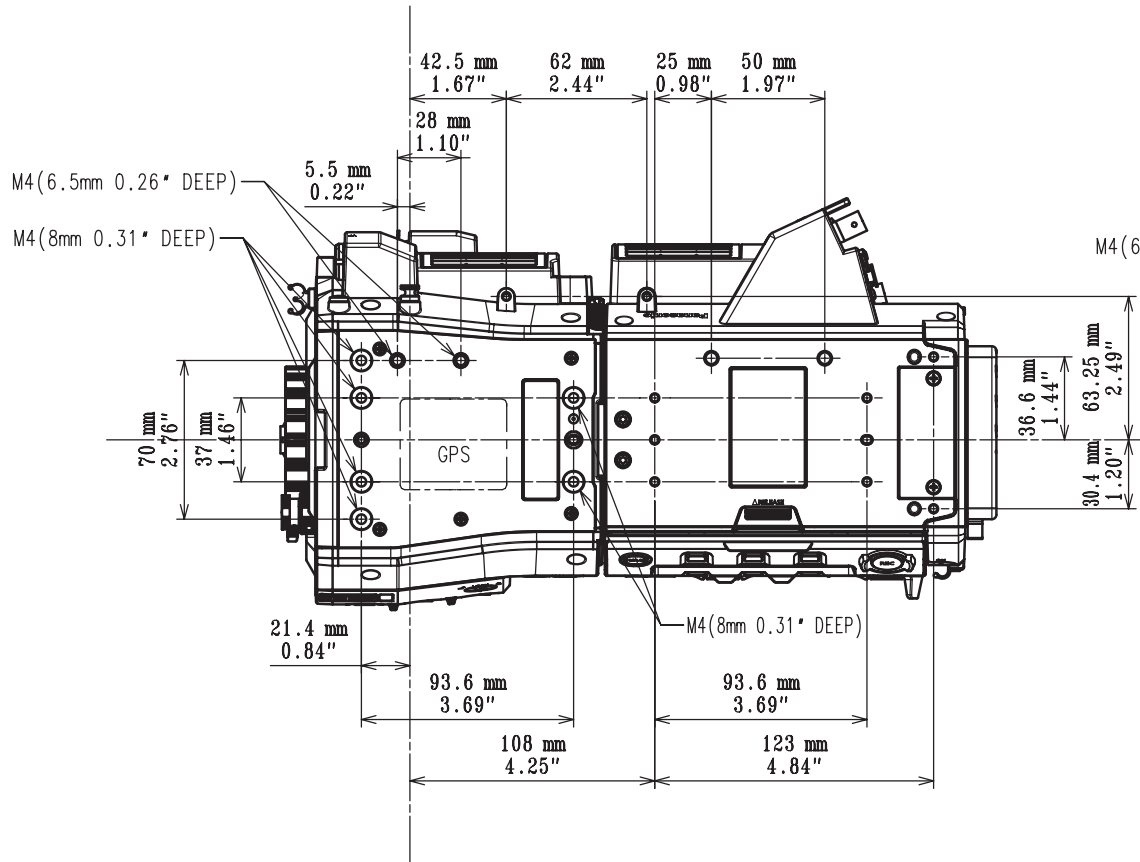
CAMERA LEFT

OPTICAL CENTER



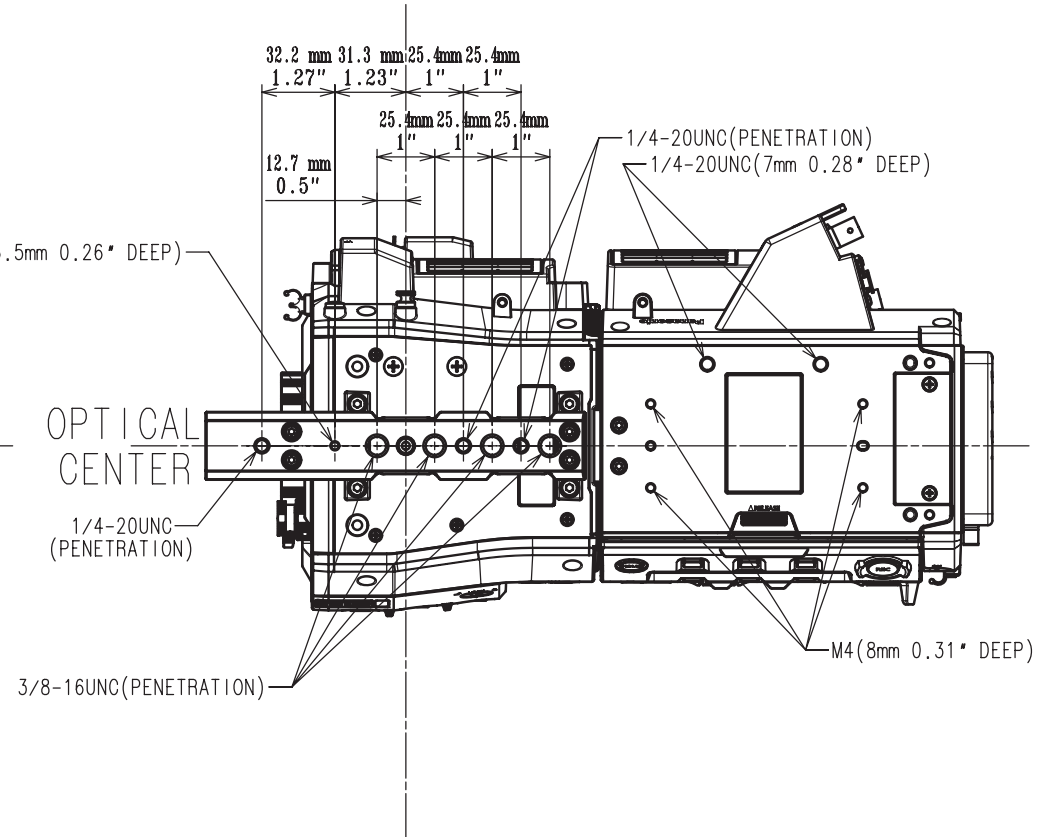
CAMERA BACK

IMAGE PLANE



CAMERA TOP  
(WITHOUT HANDLE)

IMAGE PLANE



CAMERA TOP  
(WITH HANDLE)

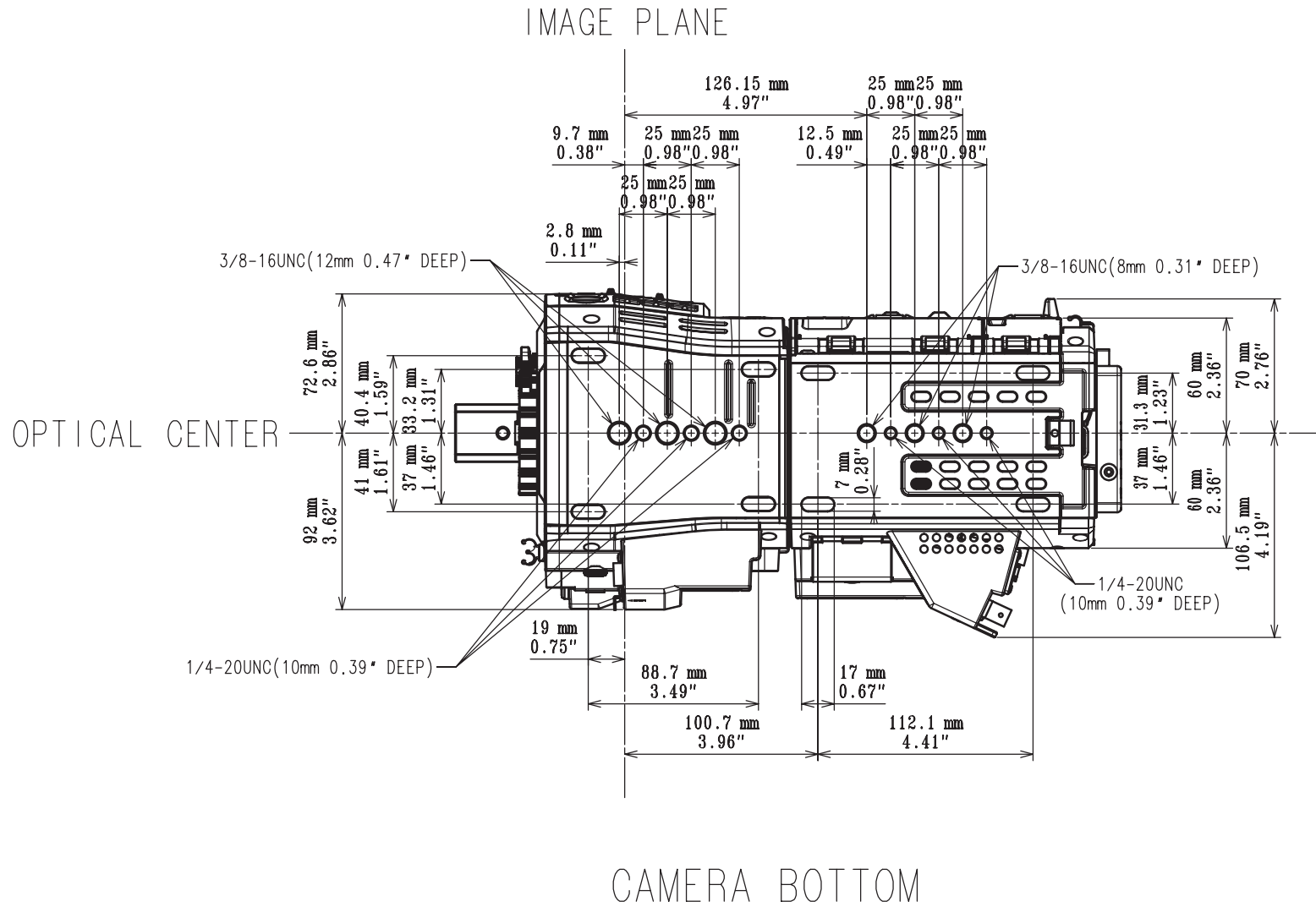
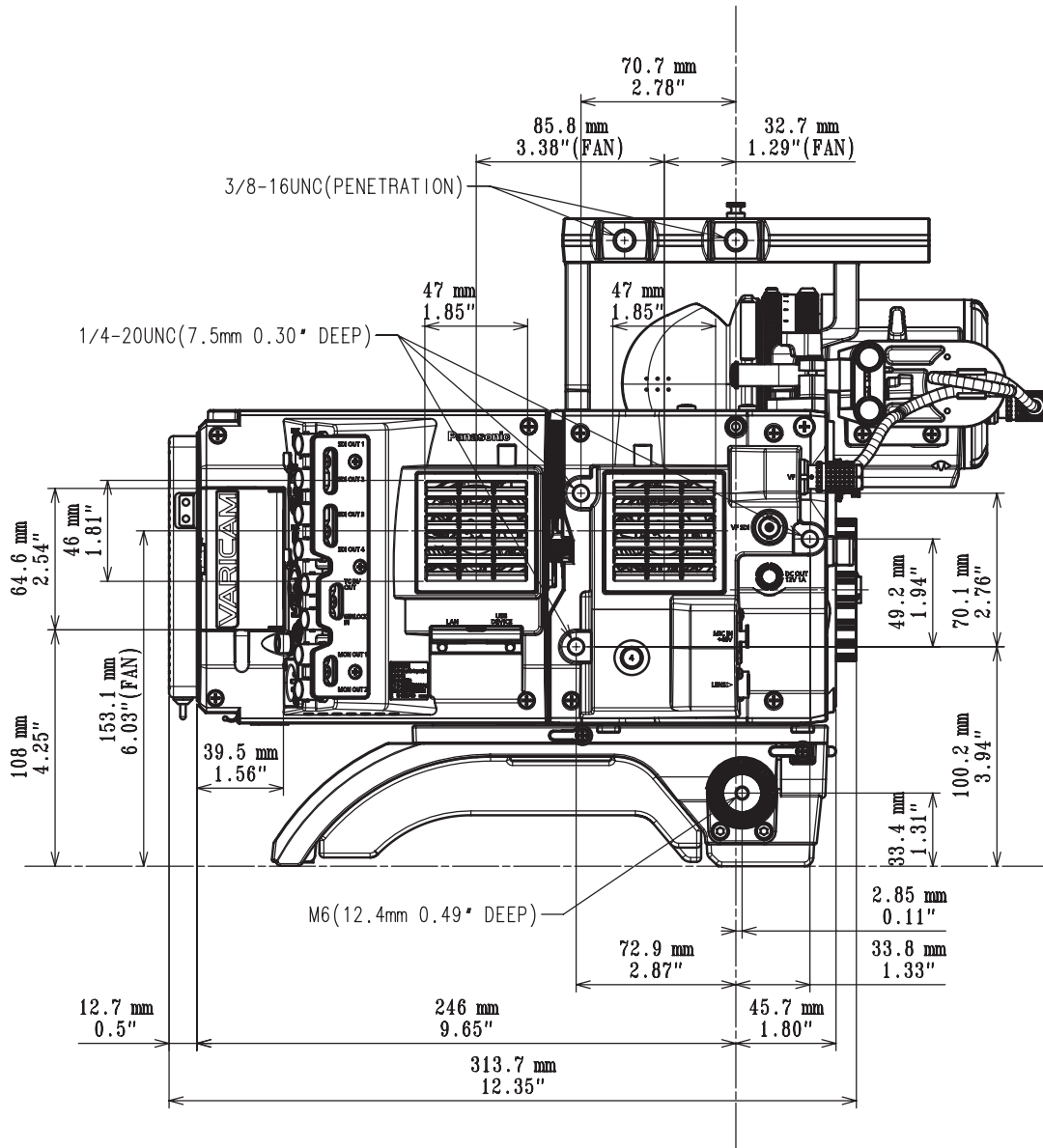
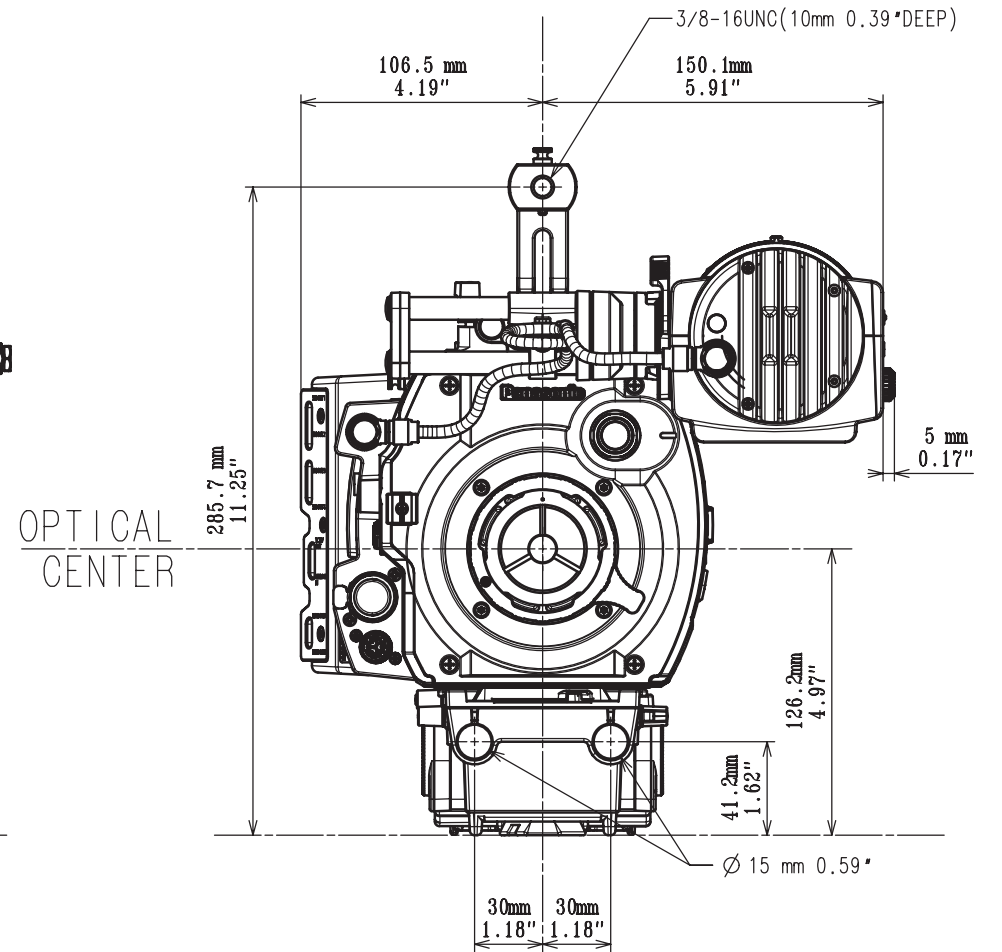


IMAGE PLANE



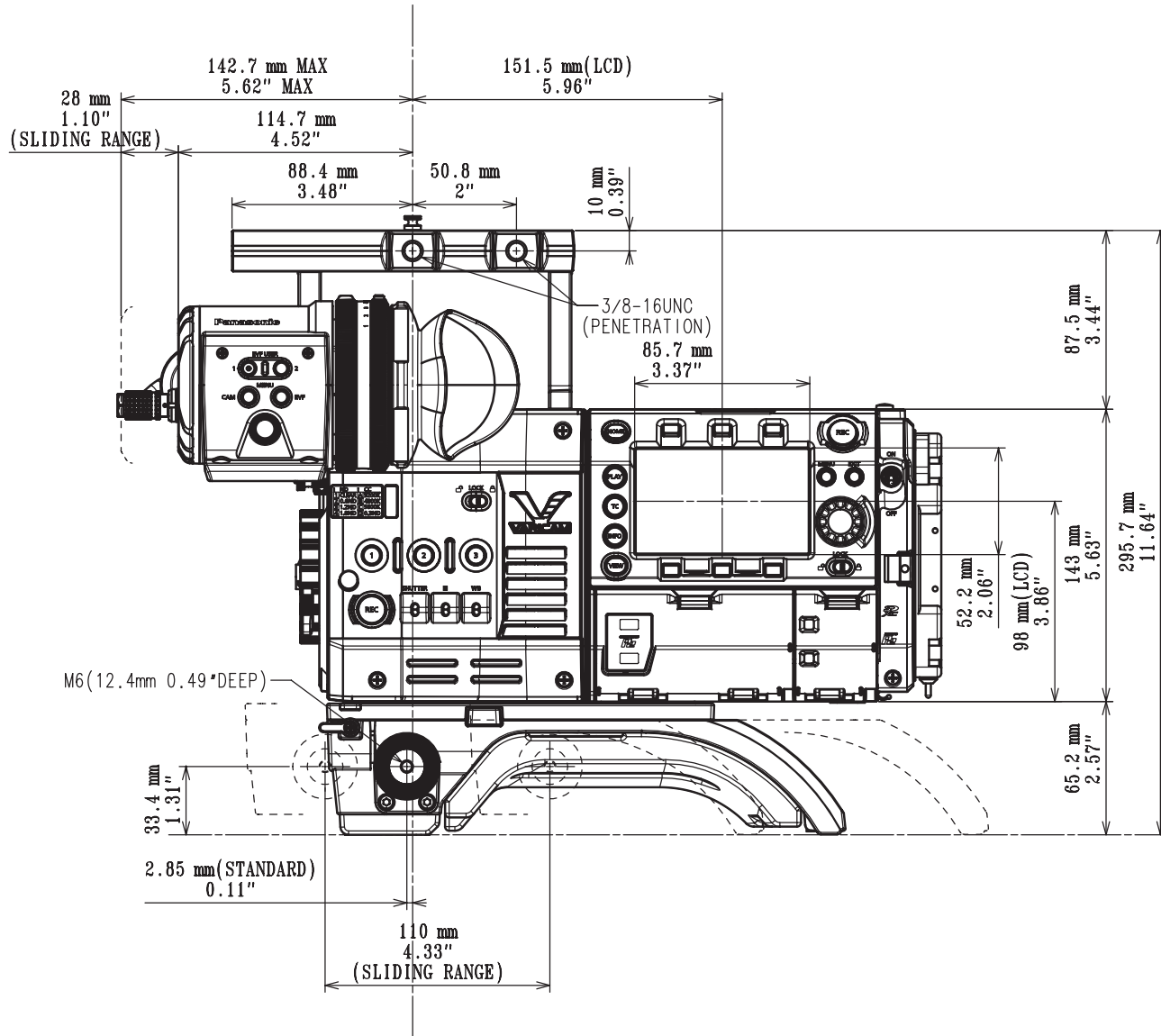
CAMERA RIGHT

OPTICAL CENTER



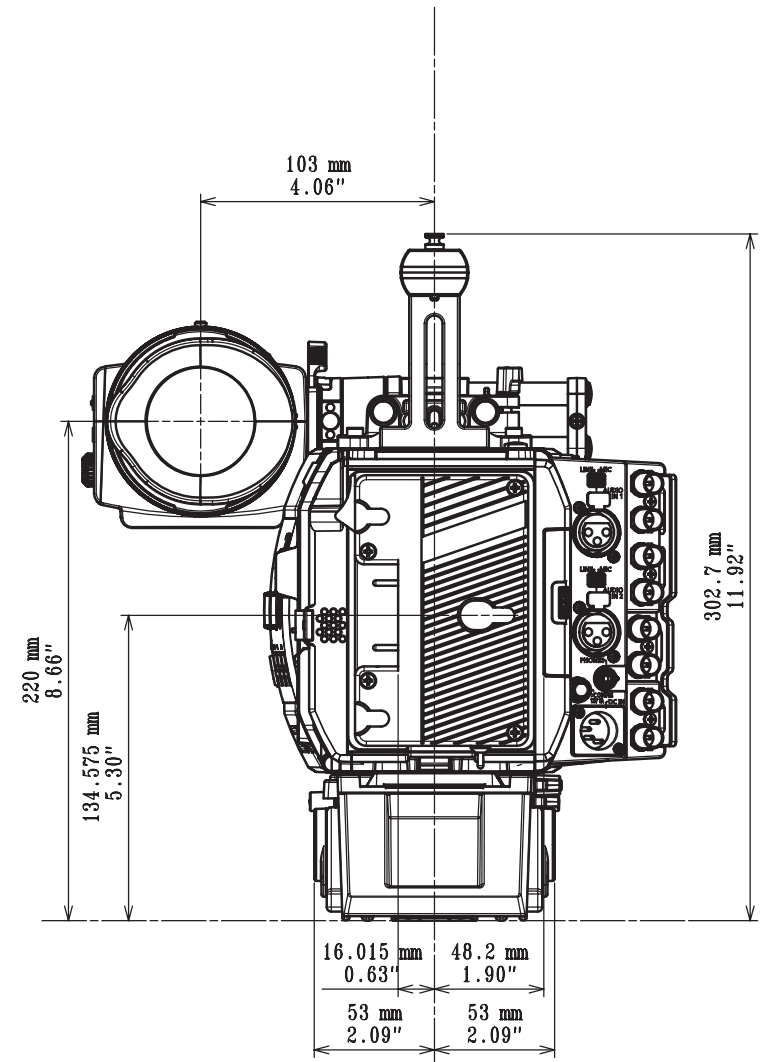
CAMERA FRONT

IMAGE PLANE



CAMERA LEFT

OPTICAL CENTER



CAMERA BACK

