

PHILIPS



eW Burst Compact
Powercore

LED Luminaire

Date: _____

Type: _____

Firm Name: _____

Project: _____



eW Burst Compact Powercore

4000 K, 8° (No Spread Lens), Black Housing, UL/cUL/CE, Landscape

Compact architectural and landscape LED spotlight
with solid white light

eW Burst Compact Powercore is a high-output, exterior LED spotlight designed for accent and site lighting. Architectural and landscape versions deliver high-quality white light in a warm 2700 K and a neutral 4000 K to support a range of uplighting, floodlighting, and decorative lighting applications.

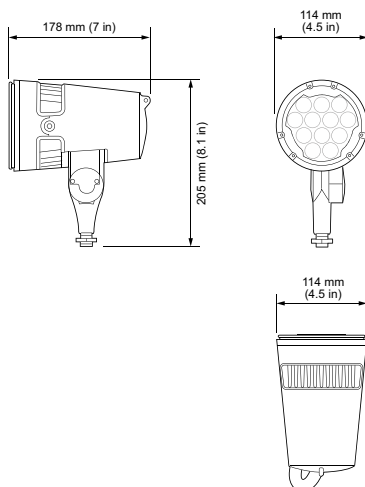
eW Burst Compact Powercore

Compact architectural and landscape LED spotlight with solid white light

- Integrates patented Powercore technology—Powercore rapidly, efficiently, and accurately controls power output to luminaires directly from line voltage, eliminating the need for an external power supply. Contractor-friendly installation dramatically simplifies installation and lowers total system cost.
- Support for a wide range of architectural and landscape applications— Architectural luminaires feature an integrated yoke with canopy base for mounting to standard US junction boxes or directly to a flat surface or substrate as local codes permit. Landscape luminaires feature a 1/2 in NPT threaded post for mounting to standard junction boxes and third-party mounting accessories such as stanchion mounts, posts, and stakes for use in softscape and hardscape applications.
- Exchangeable optics and accessories—Available 14°, 23°, 41°, and asymmetric 10° x 41° spread lenses project a soft-edge beam to support a wide range of lighting applications. Native 8° beam angle offers extended light projection. Available glare shields block spill light, while honeycomb louvers limit the spread of light for a more focused and intense beam.
- Versatile light positioning—Luminaires can tilt through a full 180°. Architectural luminaires can also rotate through a full 360° for precise aiming. Locking screws accept standard hex wrenches to secure luminaires firmly in position.
- Universal power input range—Accepts a universal power input range of 100 to 277 VAC, allowing the installation of multiple units in a continuous run.
- Dimming capability—Patented DIMand technology offers smooth dimming capability with selected commercially available reverse-phase ELV-type dimmers.
- Outdoor rated—With a rugged, die-cast aluminium housing fully sealed for maximum luminaire life and IP66-rated for outdoor applications, eW Burst Compact Powercore is ideal for use in damp or wet locations.

For detailed product information, please refer to the eW Burst Compact Powercore Product Guide at www.colorkinetics.com/ls/essentialwhite/ewburstcompactpc/

Dimensions



Specifications

Due to continuous improvements and innovations, specifications may change without notice.

Date: _____

Type: _____

Firm Name: _____

Project: _____



eW Burst Compact Powercore

4000 K, 8° (No Spread Lens), Black Housing, UL/cUL/CE, Landscape

Output

Color Temperature*	4000 K
Beam Angle	8°
Lumens†	812
Efficacy (lm/W)	54
CRI	81

Electrical

Input Voltage	100 to 277 VAC, auto-ranging, 50/60 Hz
Power Consumption <i>(Maximum at full output, steady state)</i>	15 W
Power Factor	0.99 @ 120 VAC

Control

Dimmer‡

Compatible with selected commercially available reverse-phase ELV-type dimmers

Lumen Maintenance

Threshold§	Ambient Temperature	Reported¶	Calculated¶
L ₇₀	25 °C	90,000	
	50 °C	50,000	
L ₅₀	25 °C	> 100,000	
	50 °C	90,000	

Physical

Dimensions <i>(Height x Width x Depth)</i>	205 x 114 x 178 mm (8.06 x 4.5 x 7.0 in)
Weight	2 kg (4.4 lb)
Housing Material	Die-cast aluminium, powder-coated finish
Lens	Tempered glass
Luminaire Connections	152 mm (6 in) flying leads

Temperature Ranges

-40 to 50 °C (-40 to 122 °F) Operating
 -20 to 50 °C (-4 to 122 °F) Startup
 -40 to 80 °C (-40 to 176 °F) Storage

Mechanical Impact	IK07
Humidity	0 to 95%, non-condensing

Luminaire Run Lengths

To calculate luminaire run lengths and total power consumption for your specific installation, download the Configuration Calculator from www.colorkinetics.com/support/install_tool/

Certification and Safety

Approbation	UL/cUL, FCC Class A, CE, CQC, C-Tick, SAA
Environment	Dry/Damp/Wet Location, IP66



* Correlated color temperature (CCT) complies with ANSI C78.377-2008 for the chromaticity of solid state lighting products.

† Lumen output measurements comply with IES LM-79-08 testing procedures.

‡ Refer to www.colorkinetics.com/support/appnotes/ for more information.

§ Lxx = xx% lumen maintenance (when light output drops below xx% of initial output). All values are given at B10, or the median value where 90% of the LED population is better than the reported or calculated lumen maintenance measurement.

¶ Lumen maintenance figures are based on lifetime prediction graphs supplied by LED source manufacturers. Whenever possible, figures use measurements that comply with IES LM-80-08 testing procedures. In accordance with TM-21-11, Reported values represent the interpolated value based on six times the LM-80-08 total test duration (in hours). Calculated values represent time durations that exceed six times the total test duration.

eW Burst Compact Powercore Photometrics 4000 K, 8° native (no spread lens)

Photometric data is based on test results from an independent NIST traceable testing lab. IES data is available at www.colorkinetics.com/support/ies.

Beam Angle	8°
LED	4000 K
Lumens	812
Efficacy (lm/W)	53.8

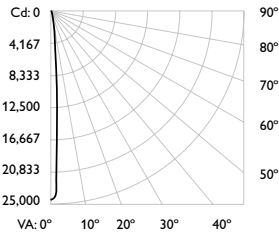


Illuminance at Distance

	Center Beam fc	Beam Width
4.0 ft	1548 fc	0.6 ft
8.0 ft	387 fc	1.2 ft
12.0 ft	172 fc	1.7 ft
16.0 ft	97 fc	2.3 ft
20.0 ft	62 fc	2.9 ft
24.0 ft	43 fc	3.5 ft

■ Beam Spread: 8.0°

Polar Candela Distribution



Candela Table

Angle	Candela	Value
0°	24760	0
5°	8489	5
15°	188	15
25°	93	25
35°	43	35
45°	28	45
55°	10	55
65°	6	65
75°	3	75
85°	0	85
90°	0	90

■ - 0° H

Zonal Lumen

Zonal Lumen Summary

ZONE	LUMENS	%FIXT
0- 30	744	91.6
0- 40	773	95.2
0- 60	803	98.9
0- 90	812	100.0
90-180	0	0.0
0-180	812	100.0

For lux multiply fc by 10.7

Coefficients of Utilization - Zonal Cavity Method

RC	Effective Floor Cavity Reflectance: 20%																	
	80			70			50			30				10			0	
RW	70	50	30	10	70	50	30	10	50	30	10	50	30	10	50	30	10	0
0	119119119119	116116116116	111111111111	106106106	102102102	100												
1	116114112111	113112110109	108107106	104103103	101100100	98												
2	113110107105	111108106104	105103102	102101100	1009898	96												
3	110106103101	108105102100	10310099	1009997	989796	94												
4	10810310098	1061029997	1009896	999795	979594	93												
5	1061019895	1041009795	999694	979593	969493	92												
6	104999693	103989593	979493	969492	959391	91												
7	102979492	101979492	969391	959291	949290	90												
8	101969391	100959290	949290	949190	939189	89												
9	99949189	99949189	939189	939089	929089	88												
10	98939089	97939088	929088	929088	918988	87												

Luminaire and Accessories

Use Item Number when ordering in North America.

Luminaire	Item Number	Philips 12NC
eW Burst Compact Powercore 4000 K, Black Housing, UL/cUL/CE, Landscape	523-000059-09	910503701925
Accessories		
14° Spread lens	120-000080-04	910503701415
23° Spread lens	120-000080-05	910503701416
41° Spread lens	120-000080-06	910503701417
10° x 41° Spread lens	120-000080-07	910503701418
Trim Ring, Black	120-000103-09	910503701823
45° Glare Shield, Black	120-000103-10	910503701824
Full Height Glare Shield, Black	120-000103-11	910503701825
Honeycomb Louver, Black	120-000104-01	910503701419
DM-1000 0-10 V ELV Dimmer	109-000036-00	912400135916

Copyright © 2018 Philips Lighting Holding B.V. All rights reserved. Chromacore, Chromasic, CK, the CK logo, Color Kinetics, the Color Kinetics logo, ColorBlast, ColorBlaze, ColorBurst, eW Fuse, ColorGraze, ColorPlay, ColorReach, iW Reach, eW Reach, DIMand, EssentialWhite, eW, EvenBalance, iColor, iColor Cove, IntelliWhite, iW, iPlayer, Optibin, and Powercore are either registered trademarks or trademarks of Philips Lighting Holding B.V. in the United States and/or other countries. All other brand or product names are trademarks or registered trademarks of their respective owners. Due to continuous improvements and innovations, specifications may change without notice.

DAS-000032-142 R02 08 Mar 2018



Philips Color Kinetics
www.philips.com/colorkinetics