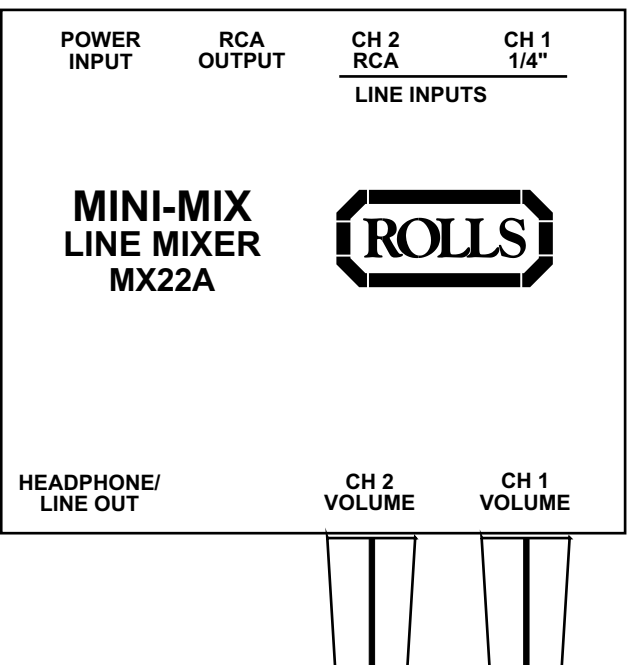


MX22A MINI-MIX Line Mixer



Owners Manual

LIMITED WARRANTY

This product is warranted to the original consumer purchaser to be free from defects in materials and workmanship under normal installation, use and service for a period of one (1) year from the date of purchase as shown on the purchaser's receipt.

The obligation of Rolls Corporation under this warranty shall be limited to repair or replacement (at our option), during the warranty period of any part which proves defective in material or workmanship under normal installation, use and service, provided the product is returned to Rolls Corporation, TRANSPORTATION CHARGES PREPAID. Products returned to us or to an authorized Service Center must be accompanied by a copy of the purchase receipt. In the absence of such purchase receipt, the warranty period shall be one (1) year from the date of manufacture.

This warranty shall be invalid if the product is damaged as a result of defacement, misuse, abuse, neglect, accident, destruction or alteration of the serial number, improper electrical voltages or currents, repair, alteration or maintenance by any person or party other than our own service facility or an authorized Service Center, or any use violative of instructions furnished by us.

This one-year warranty is in lieu of all expressed warranties, obligations or liabilities. ANY IMPLIED WARRANTIES, OBLIGATIONS, OR LIABILITIES, INCLUDING BUT NOT LIMITED TO THE IMPLIED WARRANTIES OF MERCHANTABILITY AND FITNESS FOR A PARTICULAR PURPOSE, SHALL BE LIMITED IN DURATION TO THE ONE YEAR DURATION OF THIS WRITTEN WARRANTY. Some states do not allow limitations on how long an implied warranty lasts, so the above limitation may not apply to you.

IN NO EVENT SHALL WE BE LIABLE FOR ANY SPECIAL, INCIDENTAL OR CONSEQUENTIAL DAMAGES FOR BREACH OF THIS OR ANY OTHER WARRANTY, EXPRESSED OR IMPLIED, WHATSOEVER. Some states do not allow the exclusion or limitation of special, incidental or consequential damages so the above limitation or exclusion may not apply to you. This warranty gives you specific legal rights, and you may also have other rights which vary from state to state.

MX22 2 Channel Stereo/Mono Mixer

- Mixes 1/4" line level signals with stereo RCA signals (mixed to mono)
- Individual controls for each signal
- AC adapter included

The MX22, originally designed for aerobics studios, mixes a 1/4" line signal such as a wireless microphone, with a stereo RCA signal like a CD or cassette player. The unit has enough output to drive a power amplifier directly and is ideal for audio visual applications as well.



Rolls Corporation
Salt Lake City, UT
9/95



6 758891 00022

INTRODUCTION

The MX22A is a two-channel mixer for mixing a 1/4" line signal such as a wireless microphone, and a stereo RCA signal such as a CD player. The MX22A has enough output to drive a power amplifier directly and is ideal for audio/video and aerobics instructors.

DESCRIPTION

CH 1 1/4" Input: 1/4" unbalanced jack for receiving line or instrument level signals.

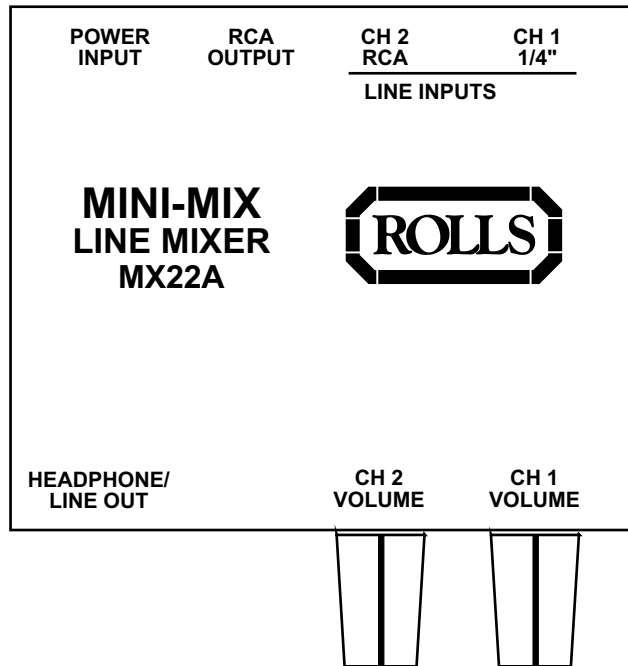
CH 2 RCA Input: Stereo RCA input for receiving line level signals. These signals are mixed to mono.

Line 1 Volume: Controls the level of the signal from Channel 1.

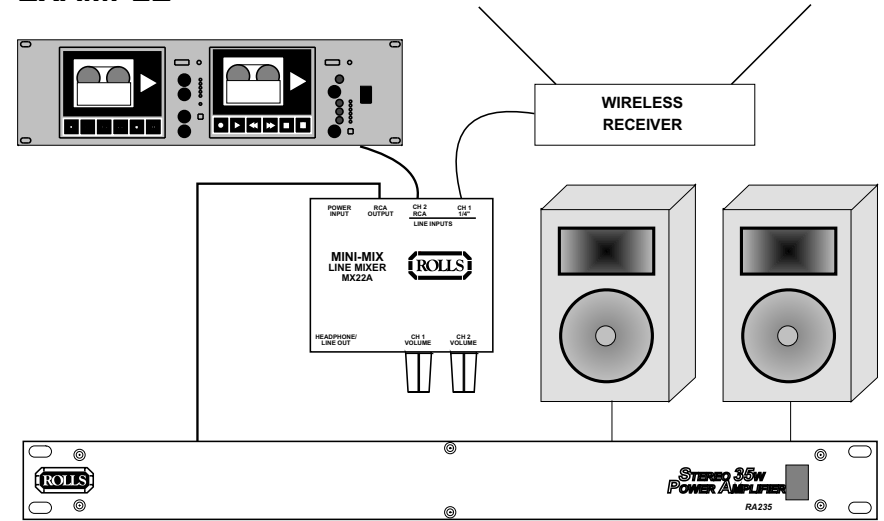
Line 2 Volume: Controls the level of the signal from Channel 2.

Line Outputs: Dual mono RCA and 1/4" jacks for connection to a line input device such as a mixer.

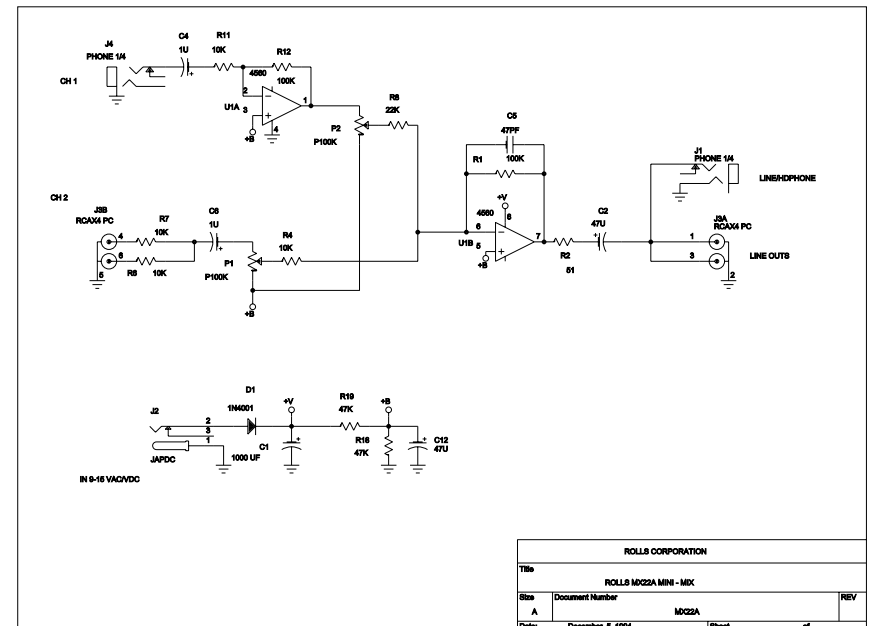
Power Input: For connection to the power supply.



EXAMPLE



SCHEMATIC



SPECIFICATIONS

CH1 Max Gain:	32 dB
CH2 Max Gain:	20 dB
CH1 Input Impedance:	10K Ohms
CH2 Input Impedance:	20K Ohms
Output Impedance:	50 Ohms
Power:	12 VDC 100mA (typical)
Size:	2.75" x 2.35" x 1.5" (7 x 6 x 3.8 cm)
Weight:	1lb (.45Kg)

ROLLS CORPORATION			
Title	ROLLS MX22A MINI - MIX		
Size	Document Number	REV	
A	MX22A		
Date:	December 8, 1994	Sheet	of