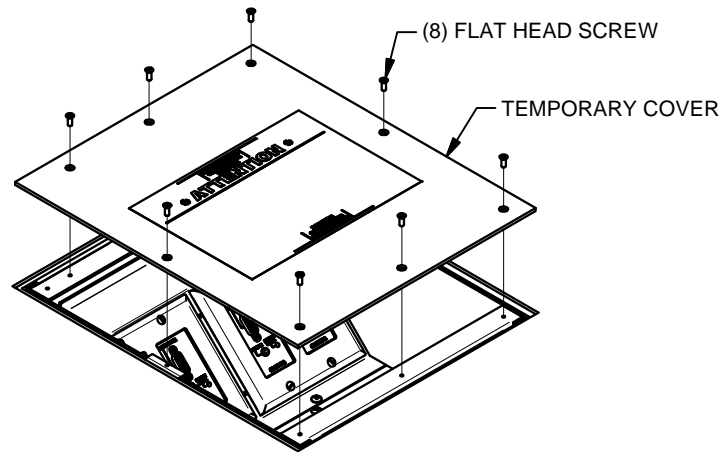
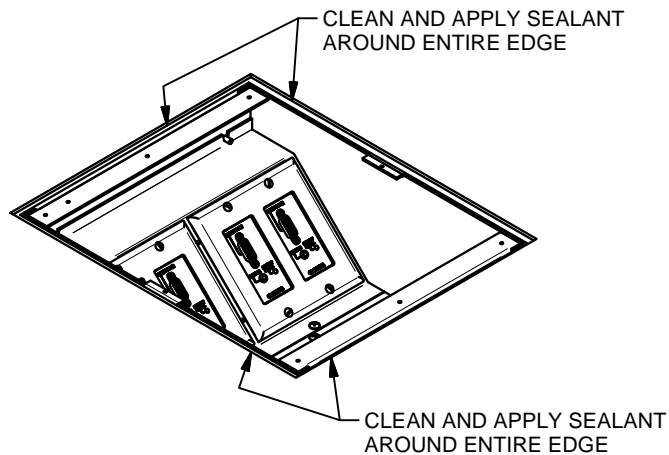


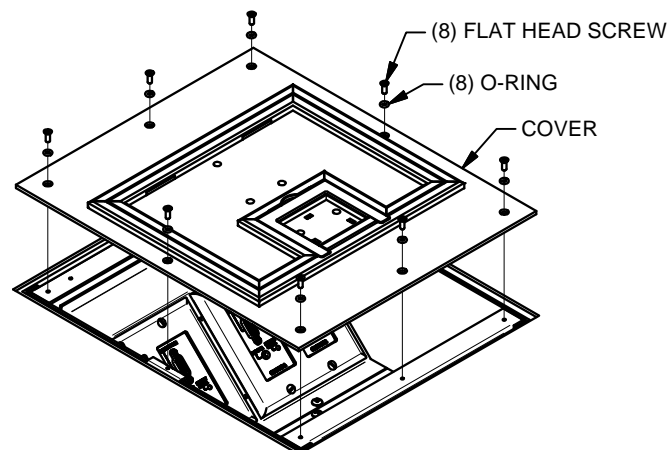
1. REMOVE AND DISCARD TEMPORARY COVER AND SCREWS.



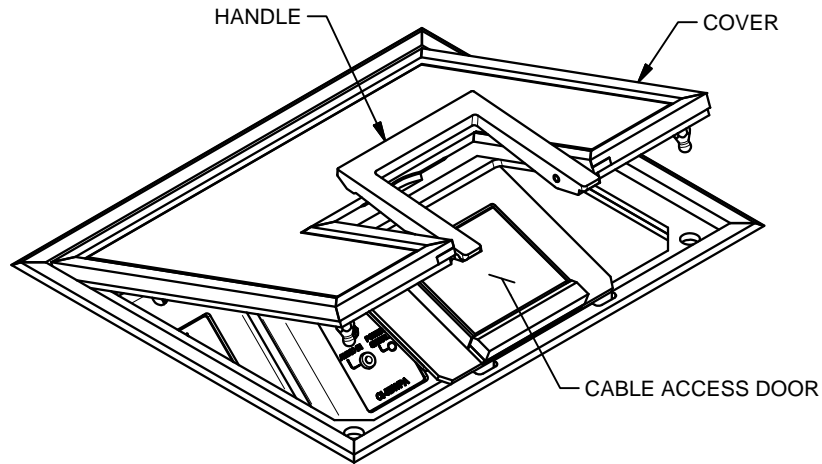
2. INSTALL CABLE INTERFACES AND CONNECTOR PLATES IF PREVIOUSLY NOT INSTALLED. CLEAN AREA IN AND AROUND ENTIRE TOP EDGE OF BOX AND APPLY 1/4" CONTINUOUS BEAD OF RTV SILICONE SEALANT.



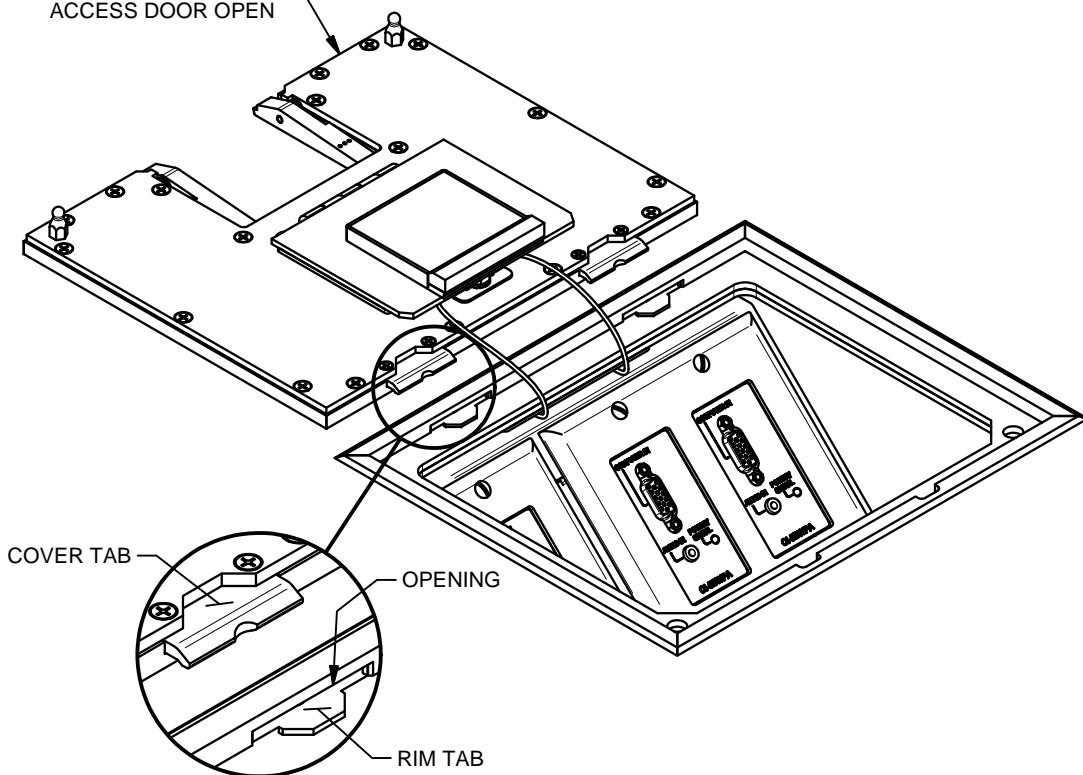
3. INSTALL COVER WITH SUPPLIED O-RINGS AND FLAT HEAD SCREWS. INSTALL FINISHED FLOORING MATERIAL.



4. REMOVE COVER BY LIFTING AND PULLING HANDLE UPWARD AS SHOWN (CABLE ACCESS DOOR WILL FALL INWARD IF NOT ALREADY OPEN). COVER CAN NOW BE PLACED FLAT ON FLOOR. CONNECT CABLES AS REQUIRED. PRIOR TO REINSTALLING COVER, SWING CABLE ACCESS DOOR ONTO VELCRO ON UNDERSIDE OF COVER. REVERSE COVER REMOVAL STEPS TO REINSTALL COVER AND PUSH FIRMLY ON CORNERS TO SNAP COVER SECURELY IN PLACE.



COVER SHOWN WITH CABLE ACCESS DOOR OPEN



WHEN REINSTALLING COVER  
BE SURE TO INSERT COVER TABS  
INTO OPENING ABOVE RIM TABS